



US00D693906S

(12) **United States Design Patent**
Zhang et al.

(10) **Patent No.:** **US D693,906 S**

(45) **Date of Patent:** **** Nov. 19, 2013**

(54) **FAUCET**

(71) Applicant: **Price Pfister, Inc.**, Lake Forest, CA (US)

(72) Inventors: **Tony Zhang**, Xiamen (CN); **Aaron Hanna**, Corona, CA (US)

(73) Assignee: **Price Pfister, Inc.**, Lake Forest, CA (US)

(**) Term: **14 Years**

(21) Appl. No.: **29/438,540**

(22) Filed: **Nov. 30, 2012**

(51) **LOC (9) Cl.** **23-01**

(52) **U.S. Cl.**
USPC **D23/238**

(58) **Field of Classification Search**
USPC D23/238, 241-243, 250.255, 257, 252;
4/675-678; 137/801

See application file for complete search history.

(56) **References Cited**

U.S. PATENT DOCUMENTS

D585,112 S *	1/2009	Kohler et al.	D23/238
D589,120 S *	3/2009	Tsai	D23/238
D620,558 S *	7/2010	Krumpe	D23/238
D642,661 S *	8/2011	Corbett	D23/238

* cited by examiner

Primary Examiner — Robert Delehanty

(74) *Attorney, Agent, or Firm* — Barnes & Thornburg LLP

(57) **CLAIM**

The ornamental design for a faucet, as shown.

DESCRIPTION

FIG. 1 is a perspective view of the new design for a faucet;
FIG. 2 is a right elevational view of the new design for a faucet;
FIG. 3 is a left elevational view of the new design for a faucet;
FIG. 4 is a top plan view of the new design for a faucet;
FIG. 5 is a bottom plan view of the new design for a faucet;
FIG. 6 is a front elevational view of the new design for a faucet; and,
FIG. 7 is a rear elevational view of the new design for a faucet.

1 Claim, 4 Drawing Sheets





FIG. 1



FIG. 2



FIG. 3

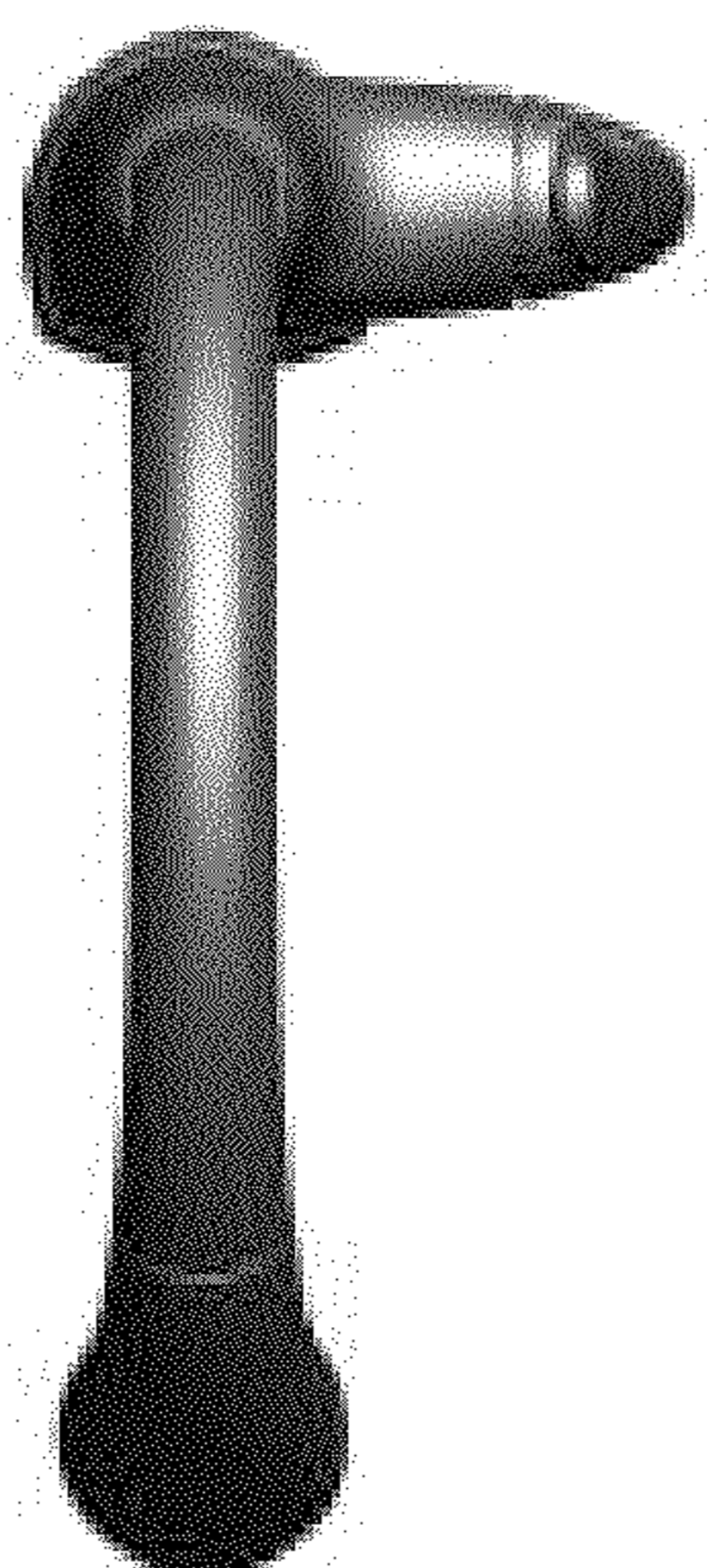


FIG. 4

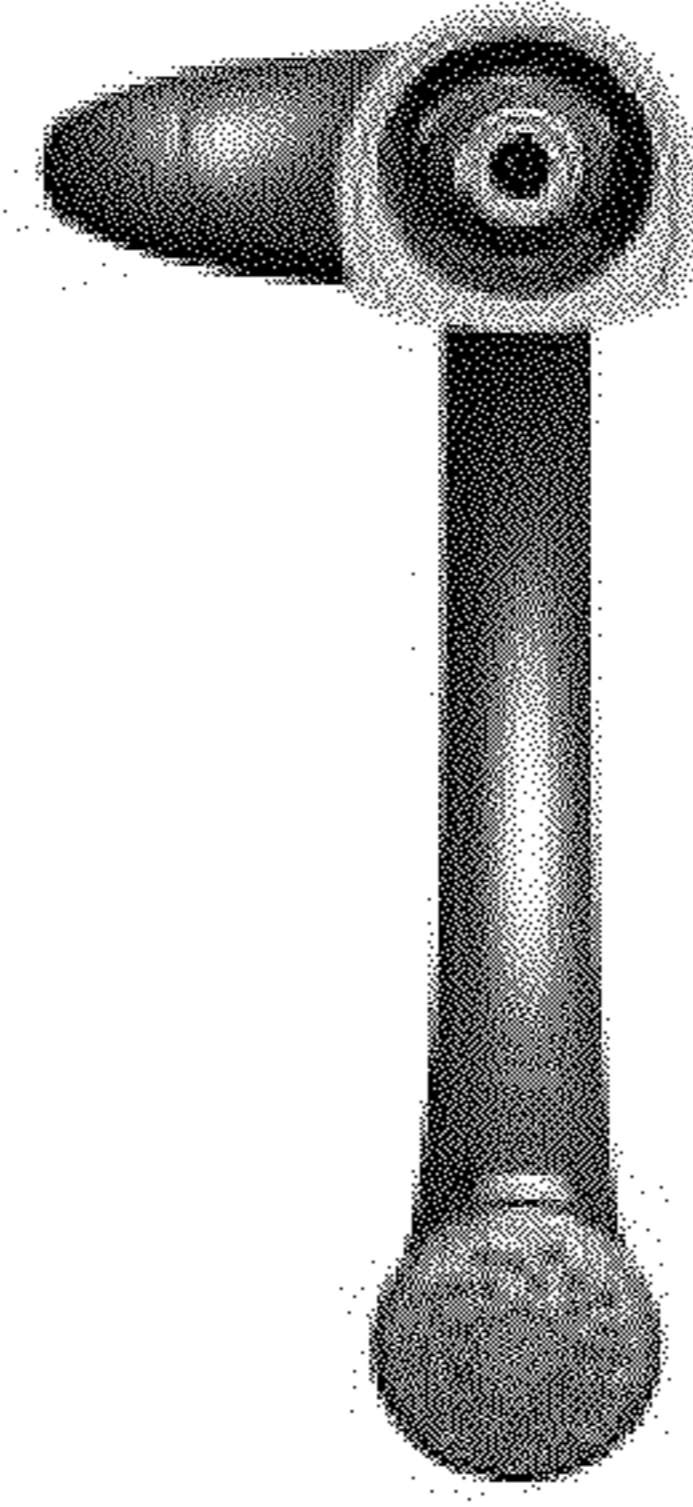


FIG. 5

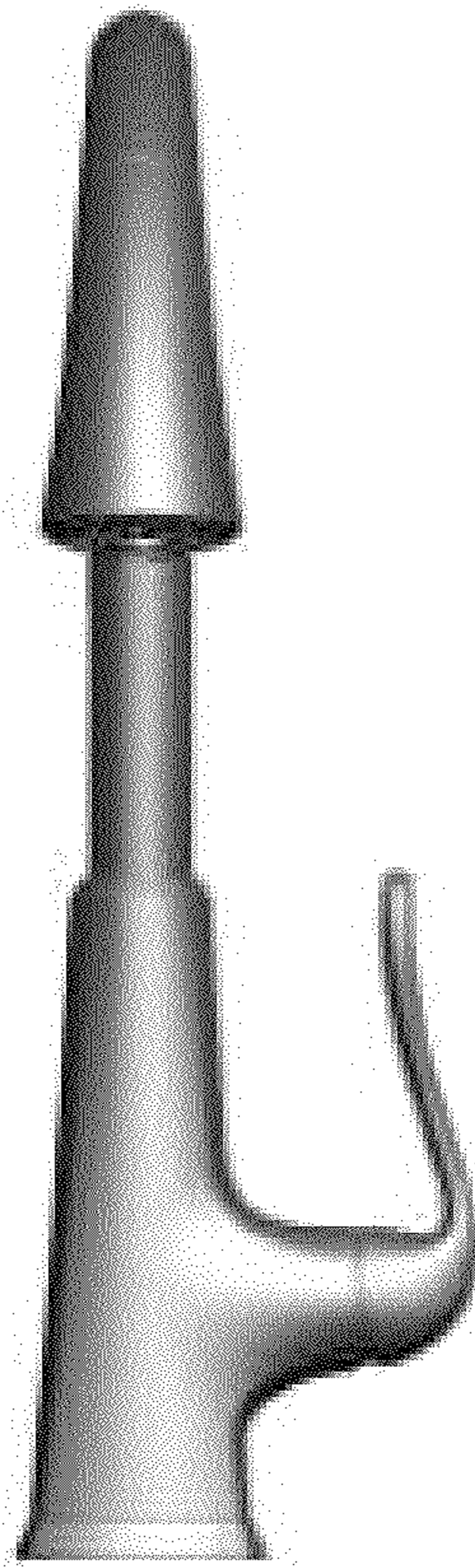


FIG. 6

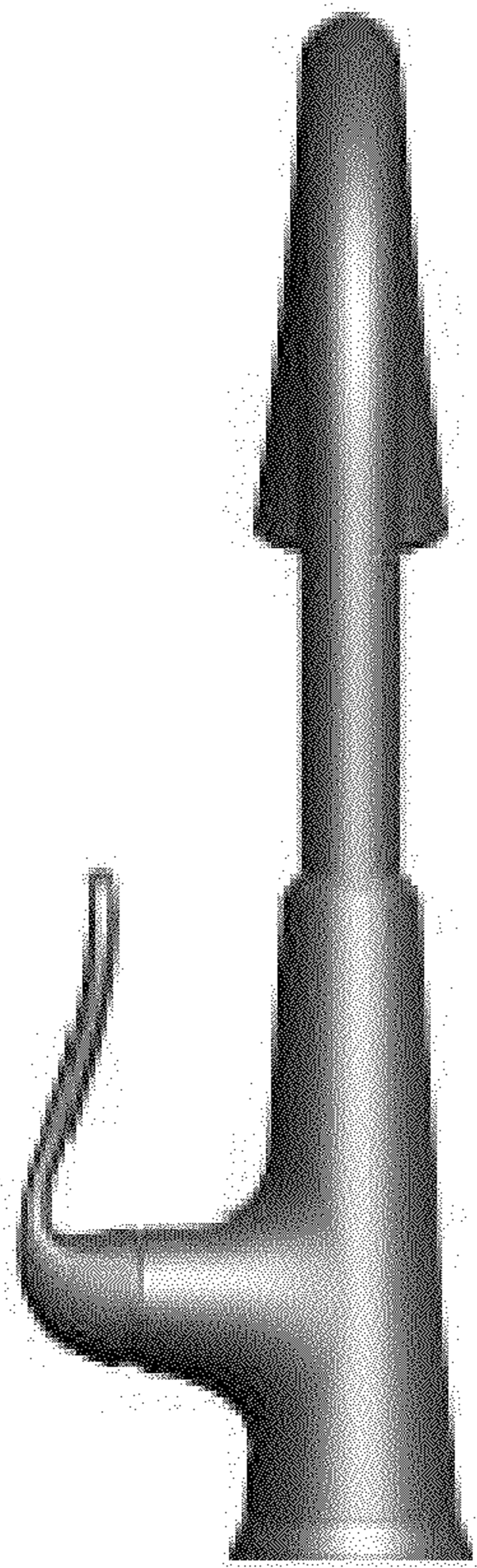


FIG. 7