



US00D693901S

(12) **United States Design Patent**
Zwaan

(10) **Patent No.:** **US D693,901 S**

(45) **Date of Patent:** **** Nov. 19, 2013**

(54) **FLUID DISPENSER**

(75) Inventor: **Paul Francis Zwaan**, Christchurch (NZ)

(73) Assignee: **Bayer New Zealand Limited** (NZ)

(**) Term: **14 Years**

(21) Appl. No.: **29/423,215**

(22) Filed: **May 30, 2012**

(30) **Foreign Application Priority Data**

Nov. 30, 2011 (NZ) 415598

(51) **LOC (9) Cl.** **23-01**

(52) **U.S. Cl.**
USPC **D23/213; D19/66**

(58) **Field of Classification Search**
USPC D23/213; D19/66, 70; 239/284.1;
222/383.1; 401/55, 266
See application file for complete search history.

(56) **References Cited**

U.S. PATENT DOCUMENTS

2,374,065 A * 4/1945 Worthington 401/173
D231,434 S * 4/1974 Kato D19/66
D309,755 S * 8/1990 Halm D19/66
5,219,099 A 6/1993 Spence et al.

5,230,577 A 7/1993 Cox et al.
6,024,300 A * 2/2000 Bolton 239/326
6,283,388 B1 * 9/2001 Bolton 239/532
7,476,048 B2 * 1/2009 Prague 401/262
7,785,026 B2 * 8/2010 Eng et al. 401/37
D644,714 S * 9/2011 Mauchle et al. D23/213
D667,530 S * 9/2012 Wyne D23/213
2004/0074988 A1 4/2004 Sternbach et al.
2004/0149204 A1 8/2004 Park
2006/0111663 A1 5/2006 Pein
2007/0082017 A1 4/2007 Tseng

* cited by examiner

Primary Examiner — Robin V Webster

(74) *Attorney, Agent, or Firm* — Senniger Powers LLP

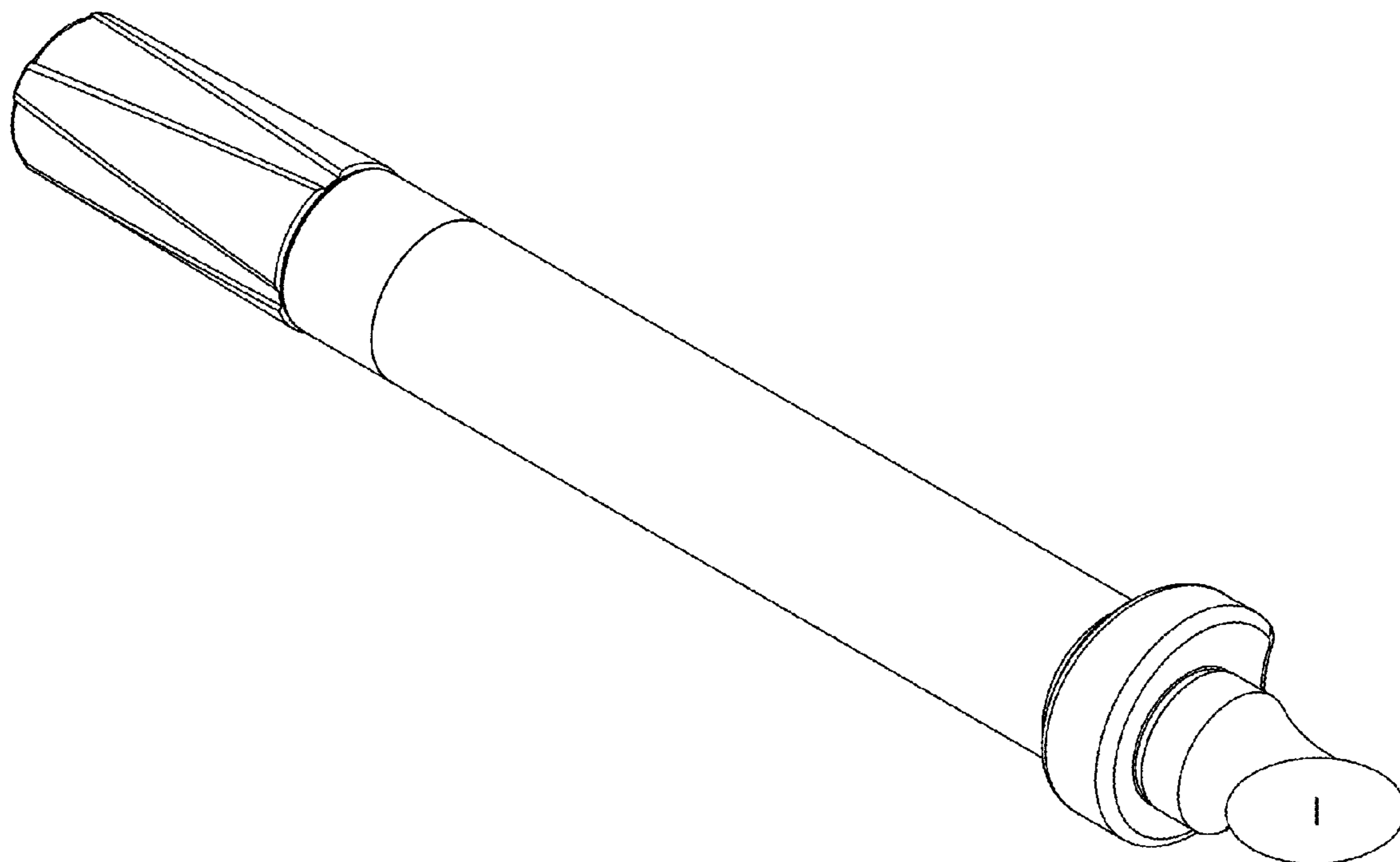
(57) **CLAIM**

The ornamental design for a fluid dispenser, as shown and described.

DESCRIPTION

FIG. 1 is a front perspective view of a fluid dispenser according to the present invention;
FIG. 2 is rear perspective view thereof;
FIG. 3 is a right side elevational view thereof;
FIG. 4 is a front elevational view thereof; and,
FIG. 5 is a rear elevational view thereof.

1 Claim, 4 Drawing Sheets



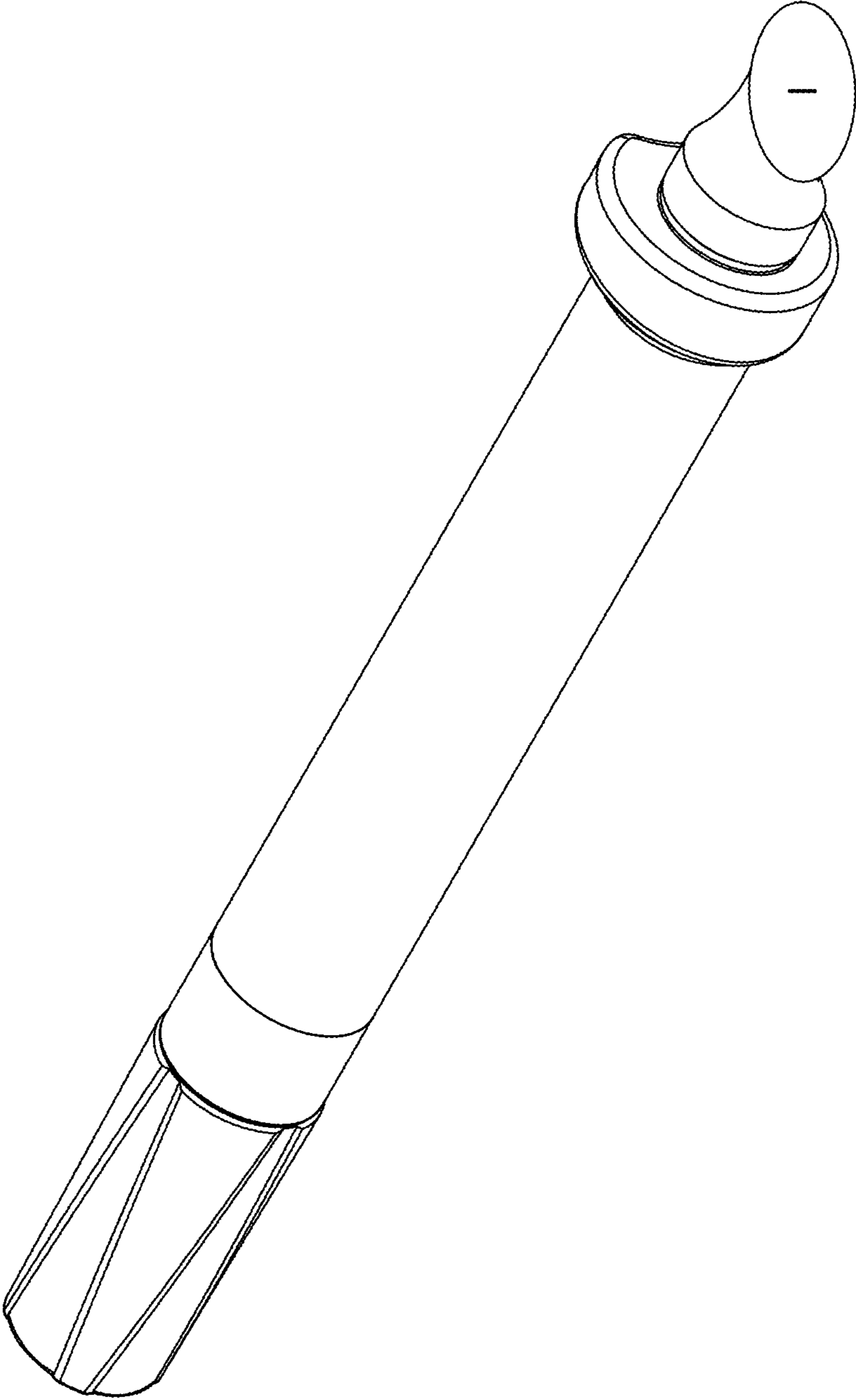


FIG. 1

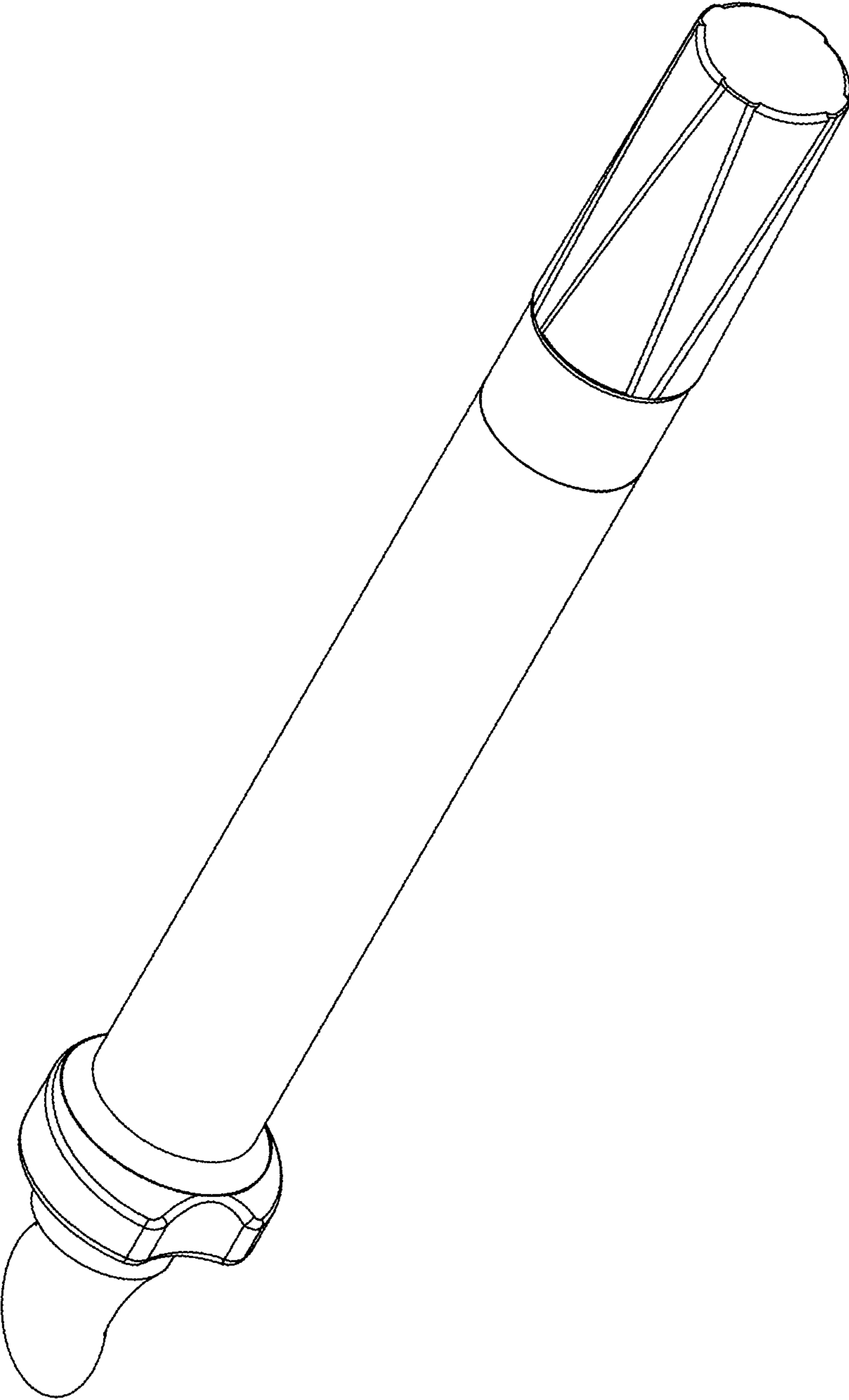


FIG. 2

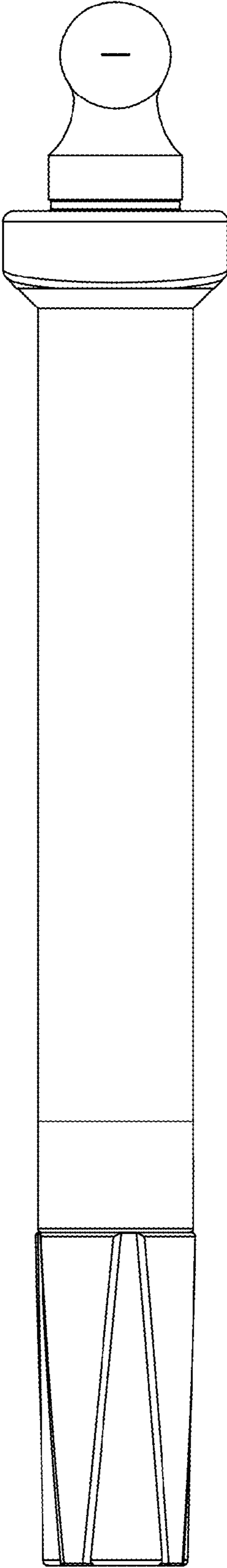


FIG. 3

FIG. 4

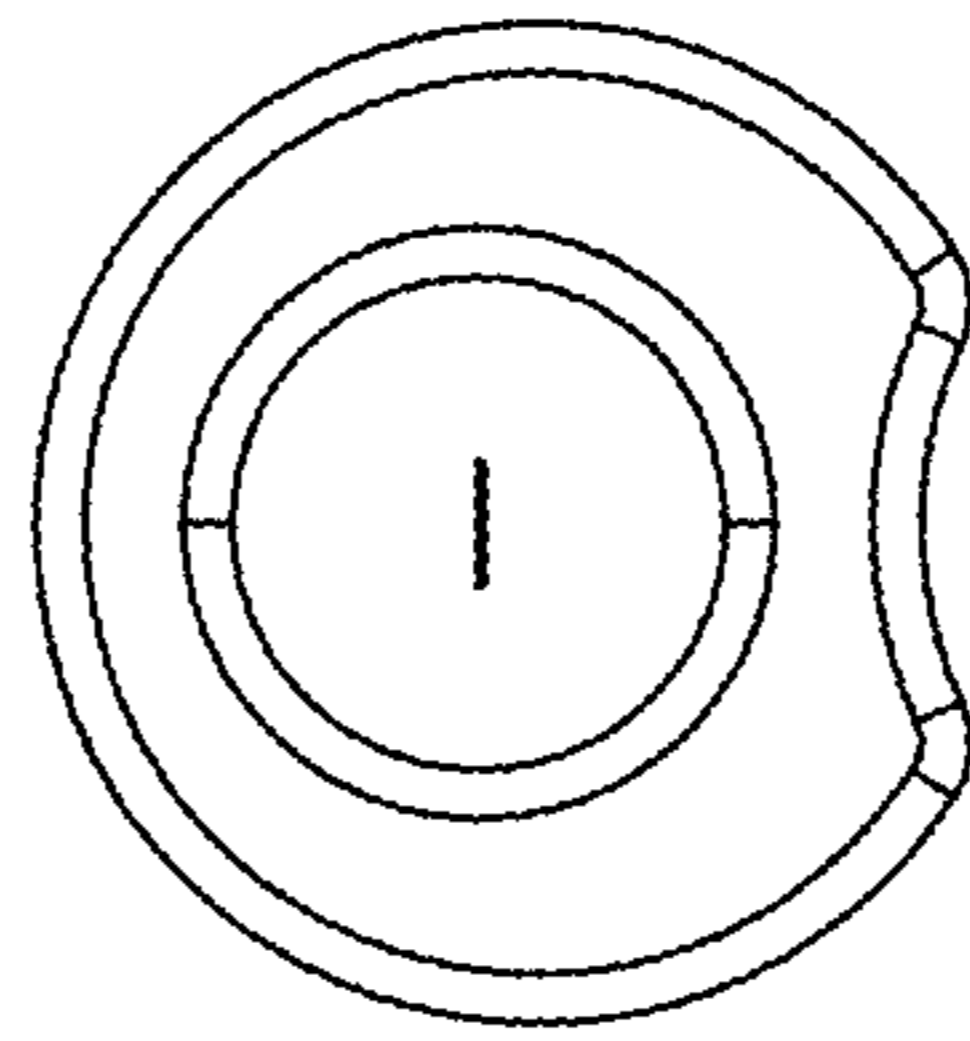


FIG. 5

