

US00D693900S

(12) **United States Design Patent**
Jan

(10) **Patent No.:** **US D693,900 S**

(45) **Date of Patent:** **** Nov. 19, 2013**

(54) **ULTRASONIC ANIMAL REPELLER**

D639,893 S * 6/2011 Feuerstein D22/120
D639,894 S * 6/2011 Feuerstein D22/120
D645,114 S * 9/2011 Krause D22/120

(71) Applicant: **Tzu-Ying Jan**, New Taipei (TW)

* cited by examiner

(72) Inventor: **Tzu-Ying Jan**, New Taipei (TW)

Primary Examiner — Catheri Oliver-Garcia

(**) Term: **14 Years**

(74) *Attorney, Agent, or Firm* — WPAT, PC; Justin King

(21) Appl. No.: **29/446,481**

(57) **CLAIM**

(22) Filed: **Feb. 25, 2013**

The ornamental design for a ultrasonic animal repeller, shown and described.

(51) **LOC (9) Cl.** **22-06**

DESCRIPTION

(52) **U.S. Cl.**

USPC **D22/120**

(58) **Field of Classification Search**

USPC D22/119–124; 43/112–113, 121, 124,
43/131, 132.1

See application file for complete search history.

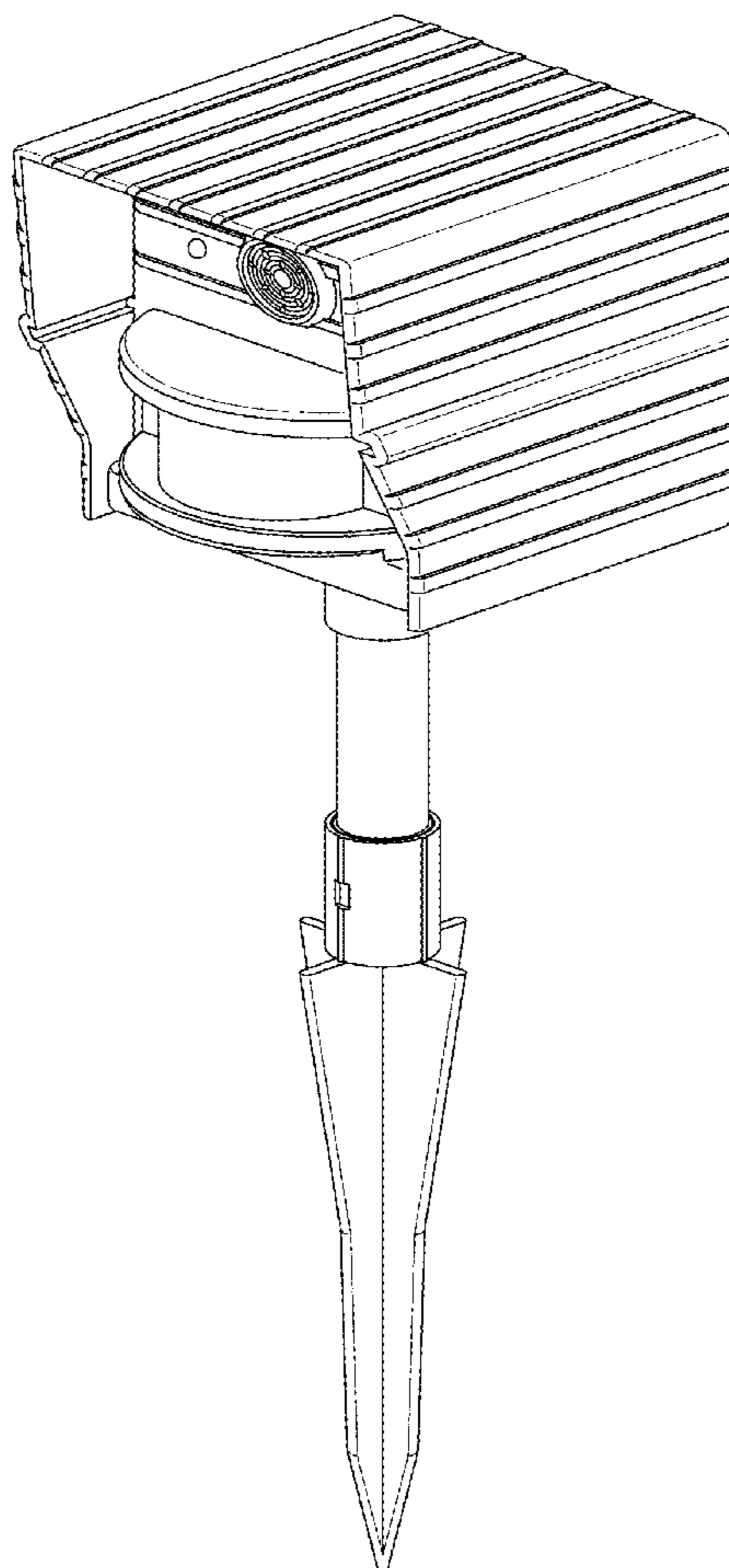
(56) **References Cited**

U.S. PATENT DOCUMENTS

4,630,571 A * 12/1986 Palmer 43/98
5,379,545 A * 1/1995 Gall et al. 43/131
D583,900 S * 12/2008 Krause D22/120

FIG. 1 is a perspective view of a “ultrasonic animal repeller” showing my design;
FIG. 2 is a front view thereof;
FIG. 3 is a rear view thereof;
FIG. 4 is a left view thereof;
FIG. 5 is a right view thereof;
FIG. 6 is a top view thereof;
FIG. 7 is a bottom view thereof;
FIG. 8 is a three-dimensional view thereof; and,
FIG. 9 is an exploded view thereof.

1 Claim, 8 Drawing Sheets



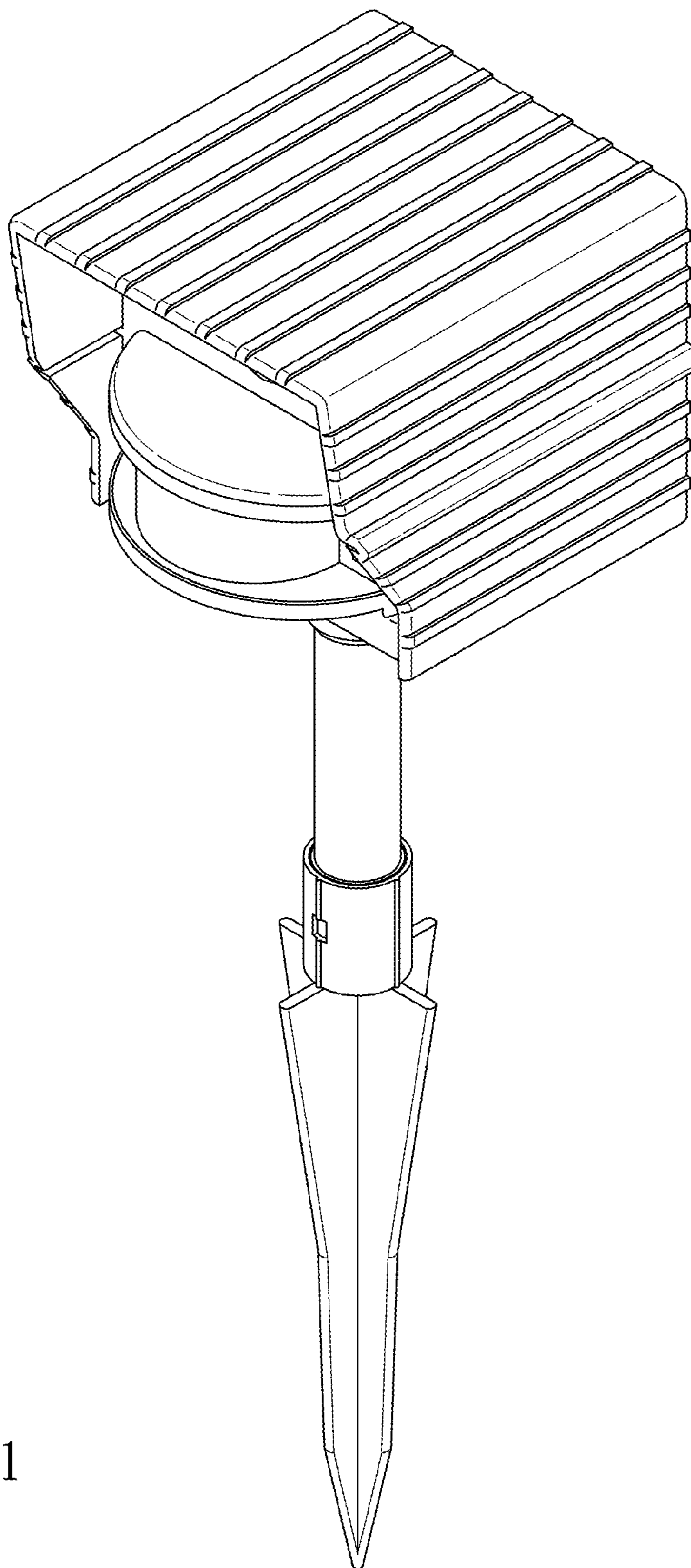


FIG. 1

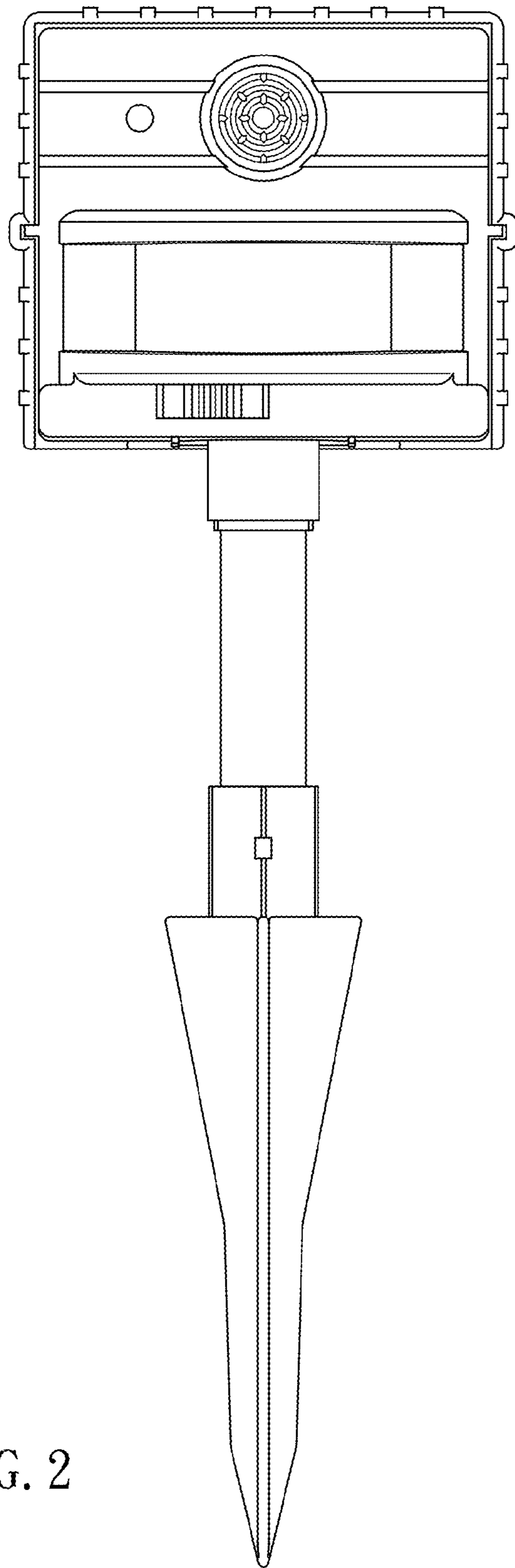


FIG. 2

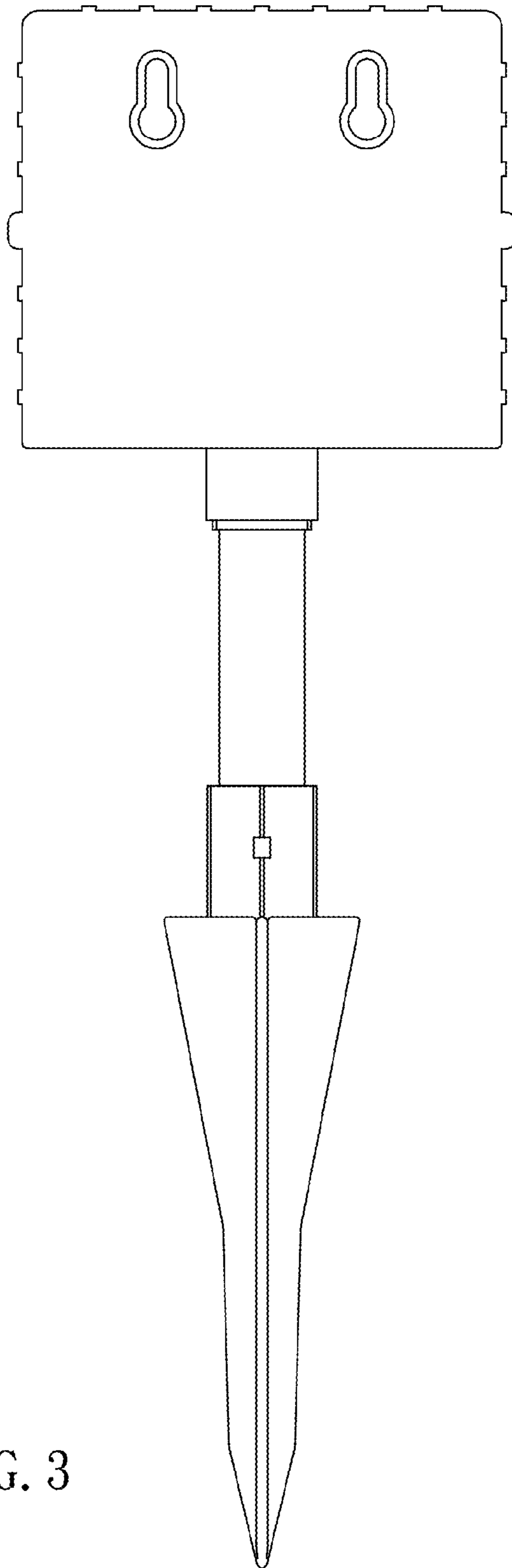


FIG. 3

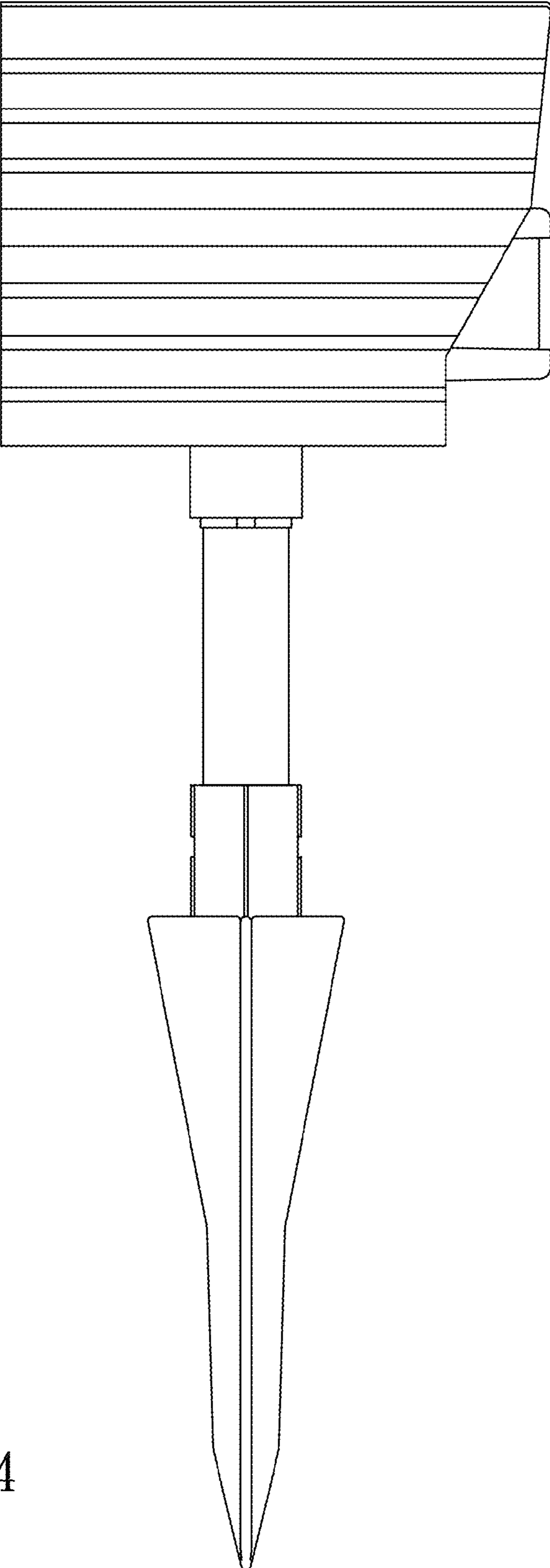


FIG. 4

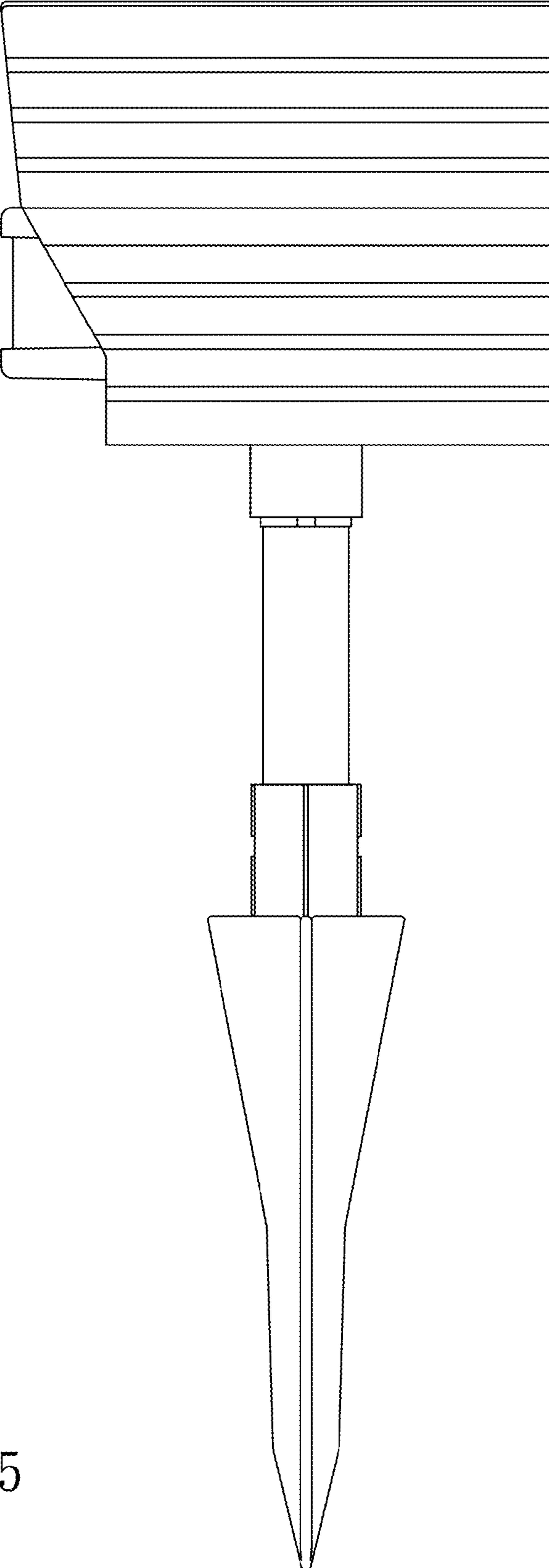


FIG. 5

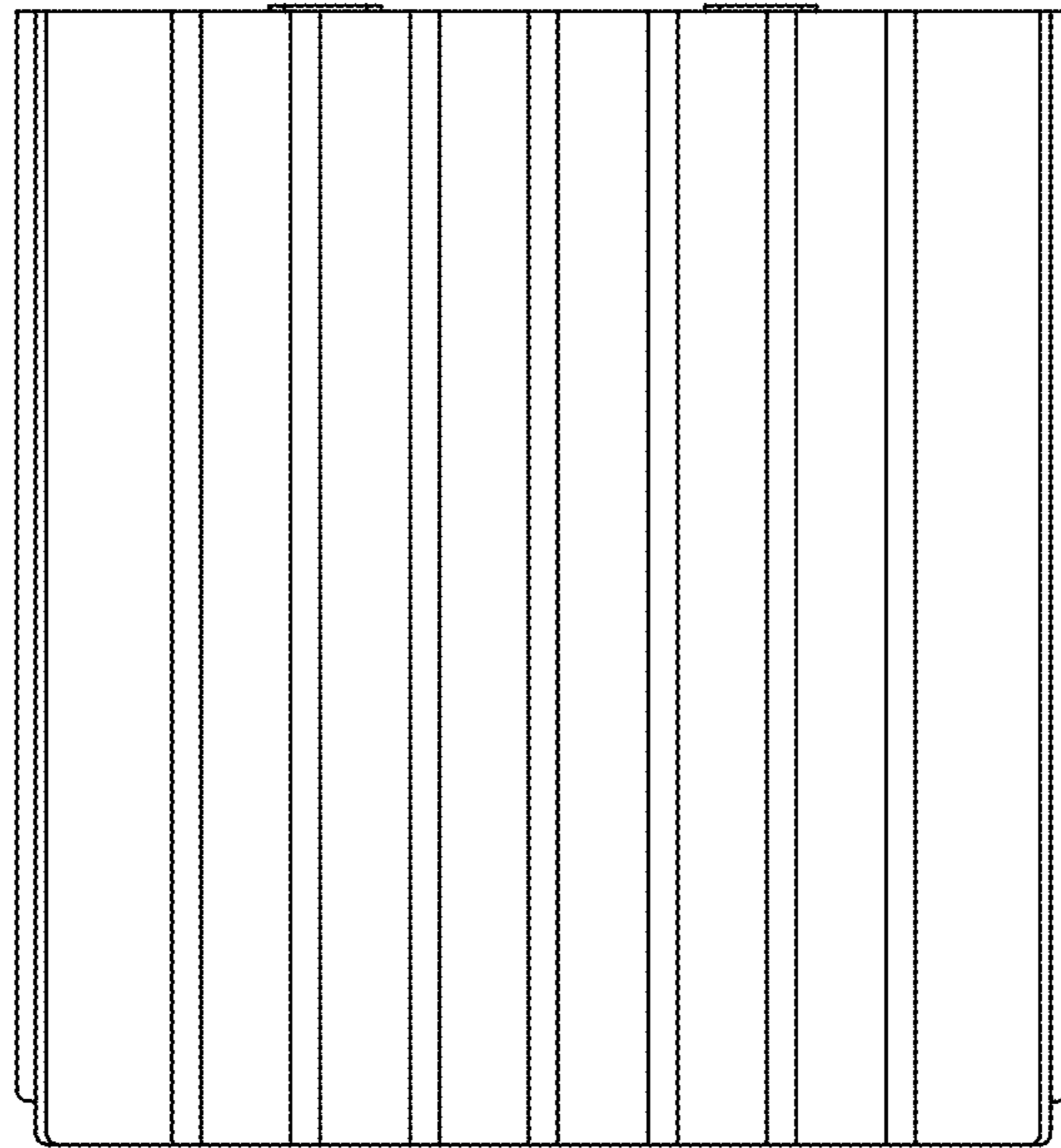


FIG. 6

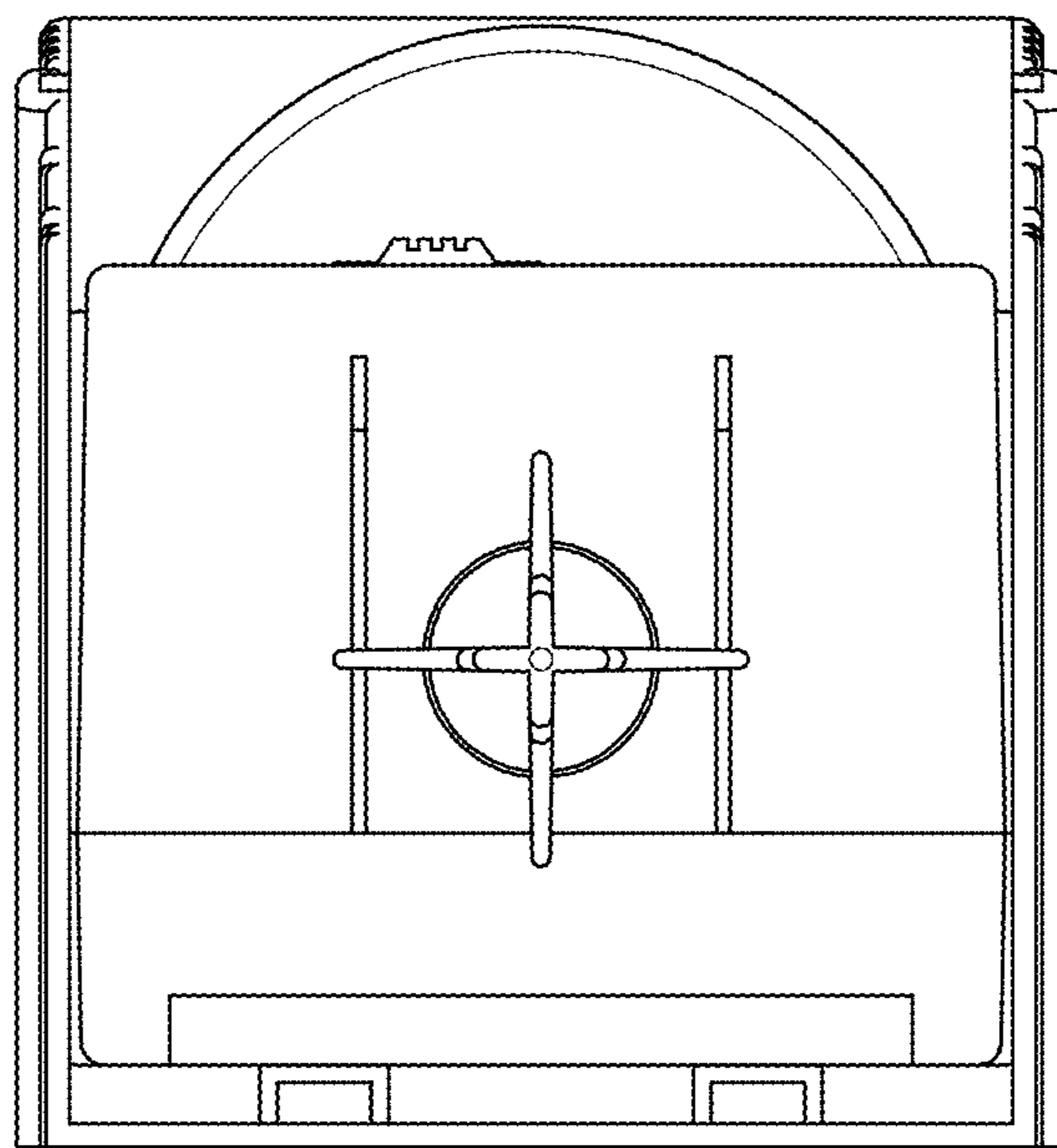


FIG. 7

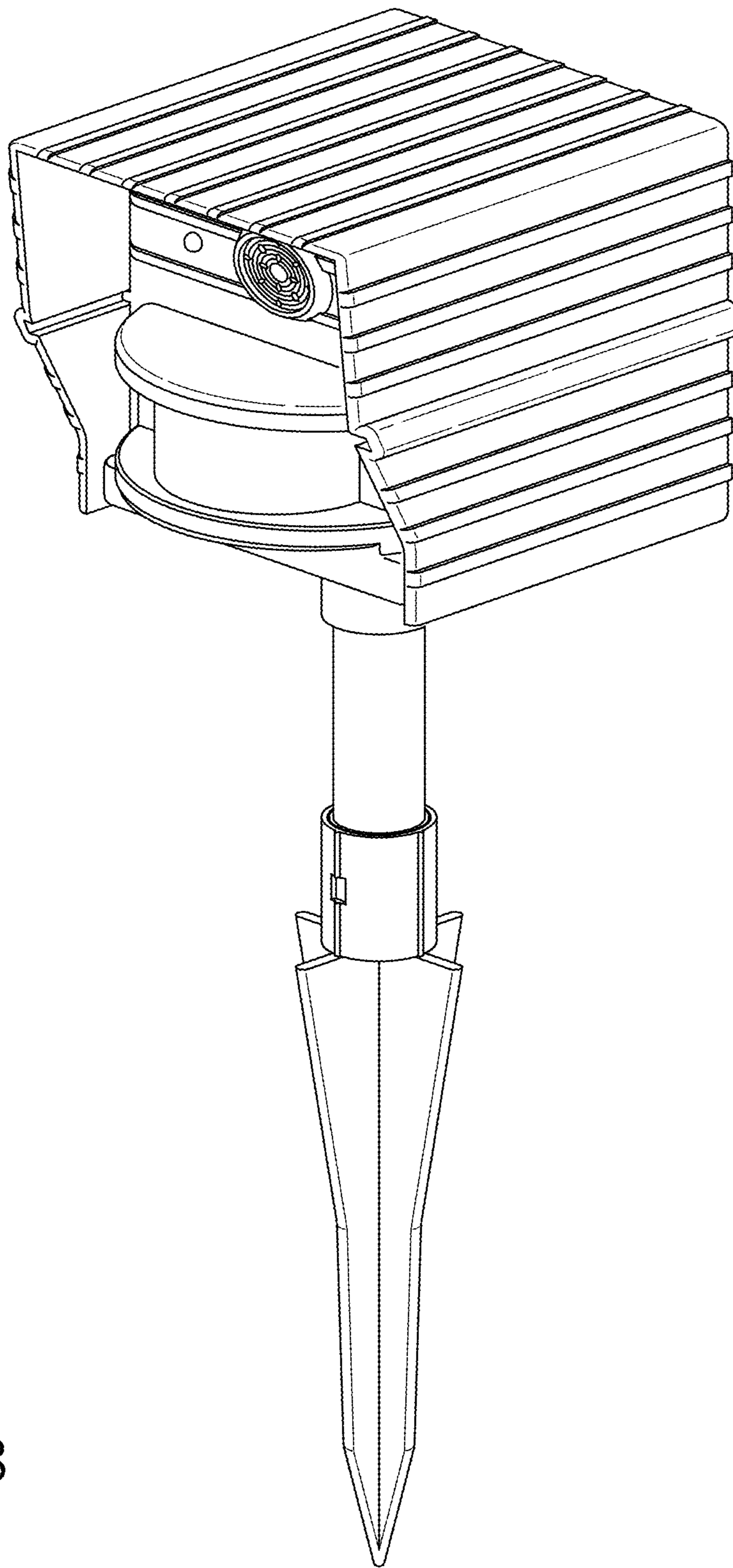


FIG. 8

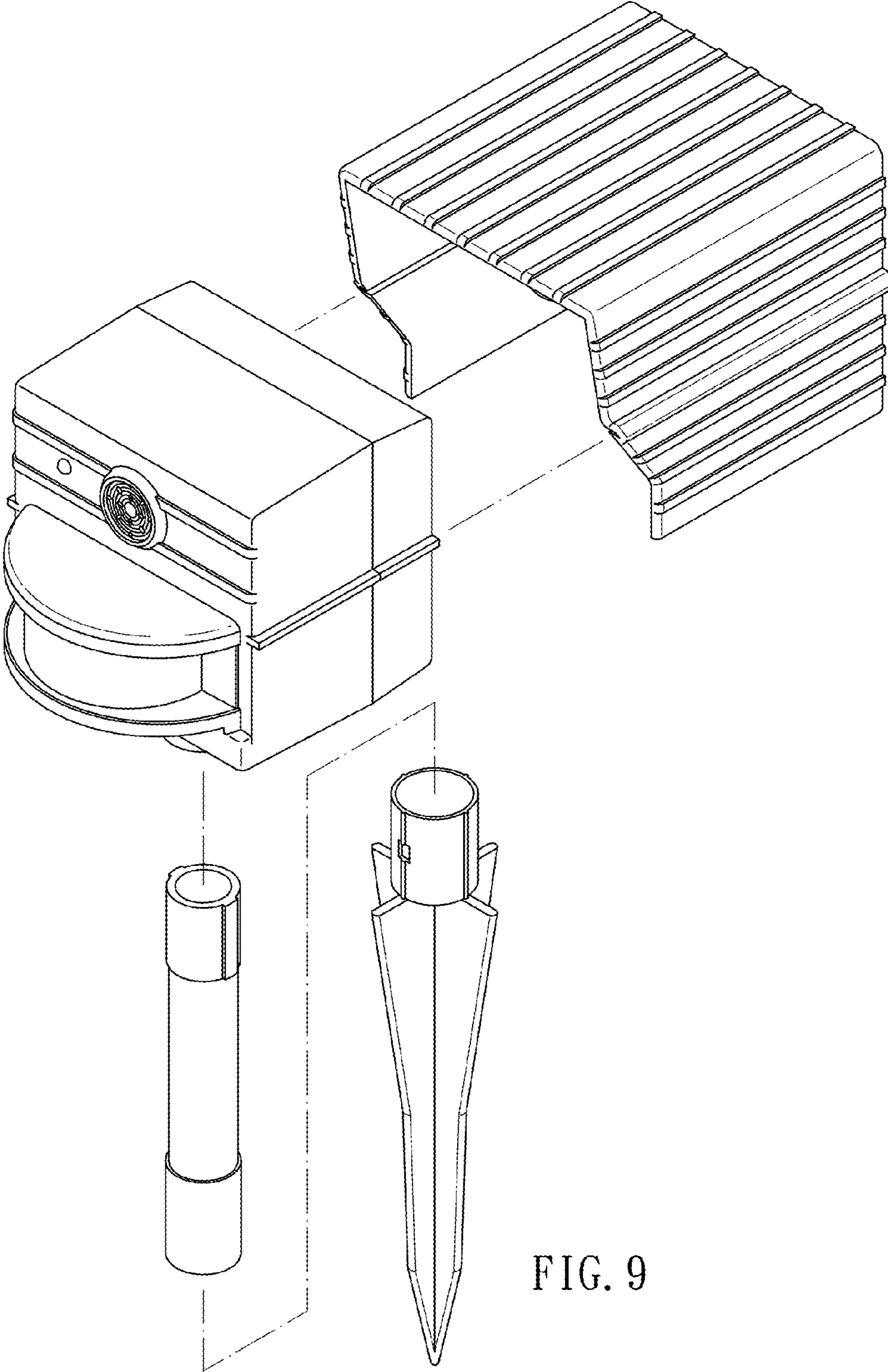


FIG. 9