

US00D693899S

(12) **United States Design Patent**  
**Donoho et al.**

(10) **Patent No.:** **US D693,899 S**  
(45) **Date of Patent:** **\*\* Nov. 19, 2013**

(54) **BIRD SPIKE WITH BASE AND PRONGS**

2007/0180781 A1 8/2007 Donoho  
2009/0249710 A1 10/2009 Donoho  
2010/0013123 A1 1/2010 Donoho

(75) Inventors: **Bruce Donoho**, Mission Viejo, CA (US);  
**Alexander Brown**, Santa Ana, CA (US);  
**Tibor Nagy**, Mission Viejo, CA (US)

FOREIGN PATENT DOCUMENTS

(73) Assignee: **Bird-B-Gone, Inc.**, Mission Viejo, CA (US)

DE	202007013279	12/2007
EP	1029453	2/2000
EP	1675456	9/2004
FR	2693080	1/1994
GB	2344269	6/2000
GB	2400010	2/2006
GB	2402861	2/2006
WO	2005/029955	4/2005

(\*\*) Term: **14 Years**

\* cited by examiner

(21) Appl. No.: **29/429,070**

(22) Filed: **Aug. 7, 2012**

*Primary Examiner* — Catheri Oliver-Garcia

(51) **LOC (9) Cl.** ..... **22-06**

(74) *Attorney, Agent, or Firm* — Fish & Associates, PC

(52) **U.S. Cl.**  
USPC ..... **D22/119**

(58) **Field of Classification Search**  
USPC ..... D22/119; D25/38.1; 119/713; 52/101;  
43/1

(57) **CLAIM**

The ornamental design for a bird spike with base and prongs, as shown and described.

See application file for complete search history.

**DESCRIPTION**

(56) **References Cited**

U.S. PATENT DOCUMENTS

2,938,243	A *	5/1960	Peles	52/101
5,433,029	A *	7/1995	Donoho et al.	43/1
6,250,023	B1	6/2001	Donoho	
6,718,701	B2	4/2004	Riddell	
6,775,950	B2	8/2004	Donoho	
D546,410	S	7/2007	Wiesener et al.	
7,243,465	B2	7/2007	Donoho	
7,596,910	B1	10/2009	Donoho	
D642,654	S *	8/2011	Paulin	D25/38.1
D654,139	S *	2/2012	Paulin	D22/119
2003/0208967	A1	11/2003	Riddell	
2004/0216393	A1	11/2004	Hall et al.	
2005/0160685	A1	7/2005	Donoho	

FIG. 1 is a top, front, right side perspective view of a bird spike with base and prongs.

FIG. 2 is a front elevation view of the bird spike with base and prongs of FIG. 1.

FIG. 3 is a right side elevation view of the bird spike with base and prongs of FIG. 1.

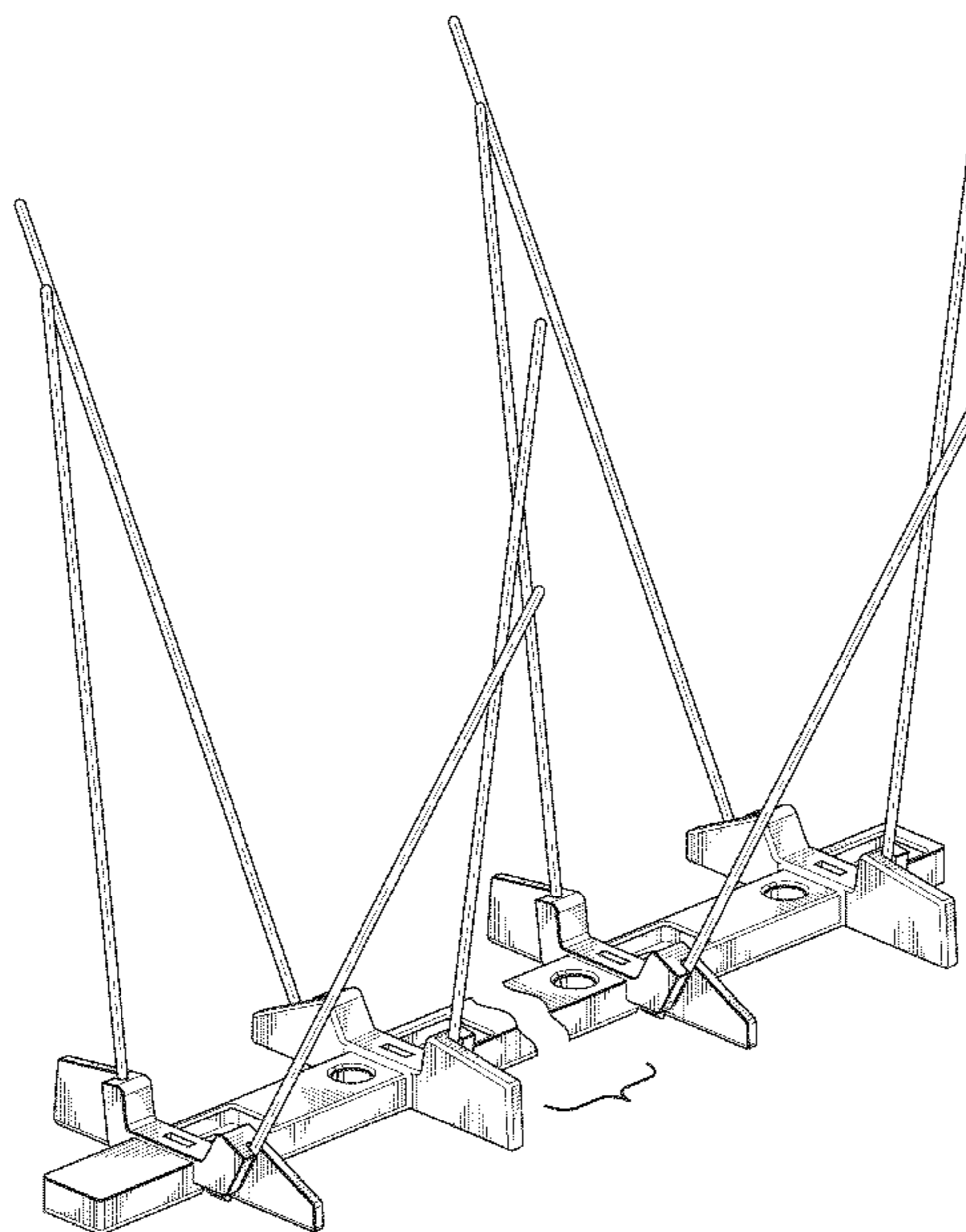
FIG. 4 is a top plan view of the bird spike with base and prongs of FIG. 1.

FIG. 5 is a bottom plan view of the bird spike with base and prongs of FIG. 1; and,

FIG. 6 is a top, front, right side perspective view of the bird spike with base and prongs of FIG. 1.

The broken lines in FIG. 6 depicting additional bird spikes in a stack form no part of the claimed design.

**1 Claim, 6 Drawing Sheets**



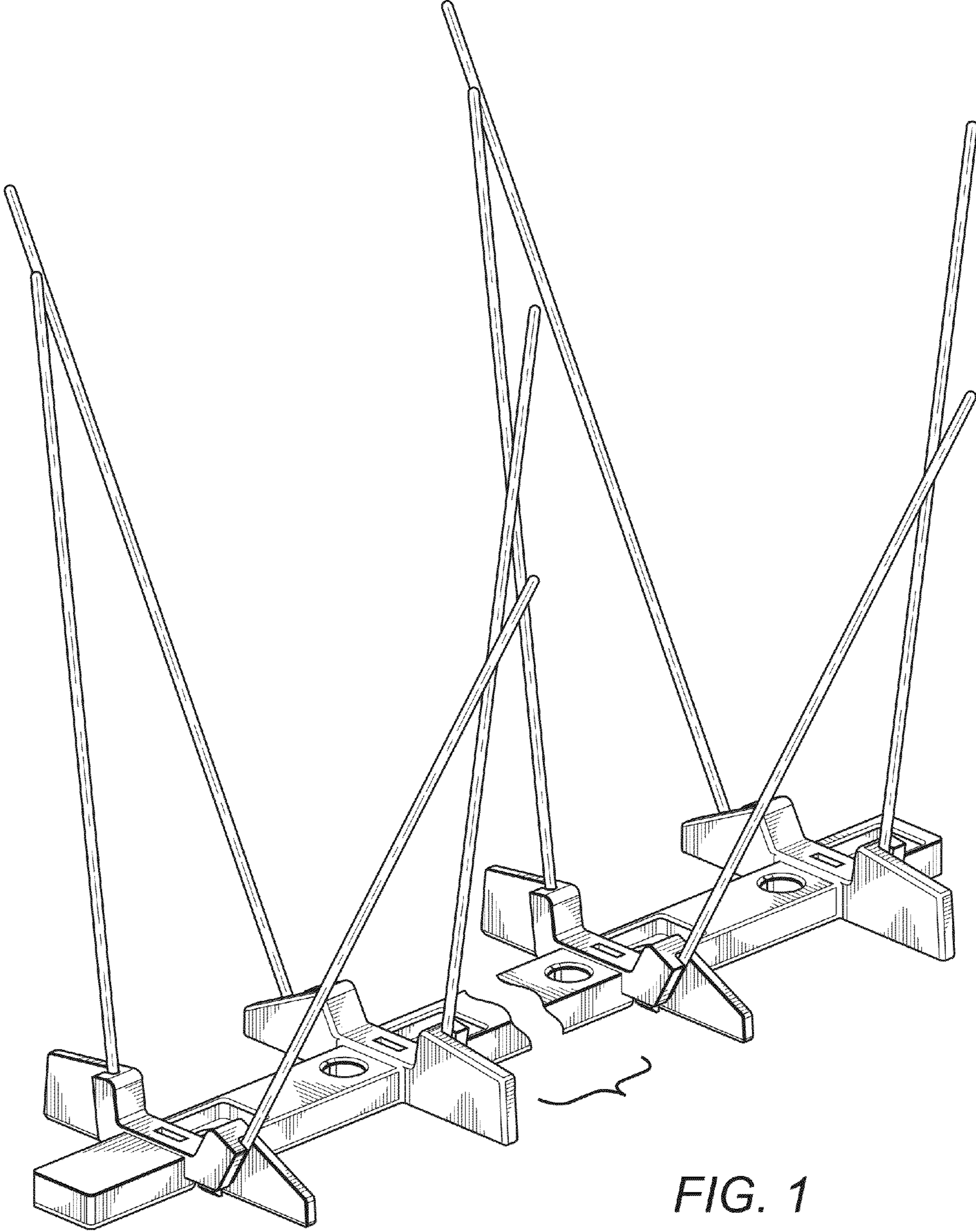


FIG. 1

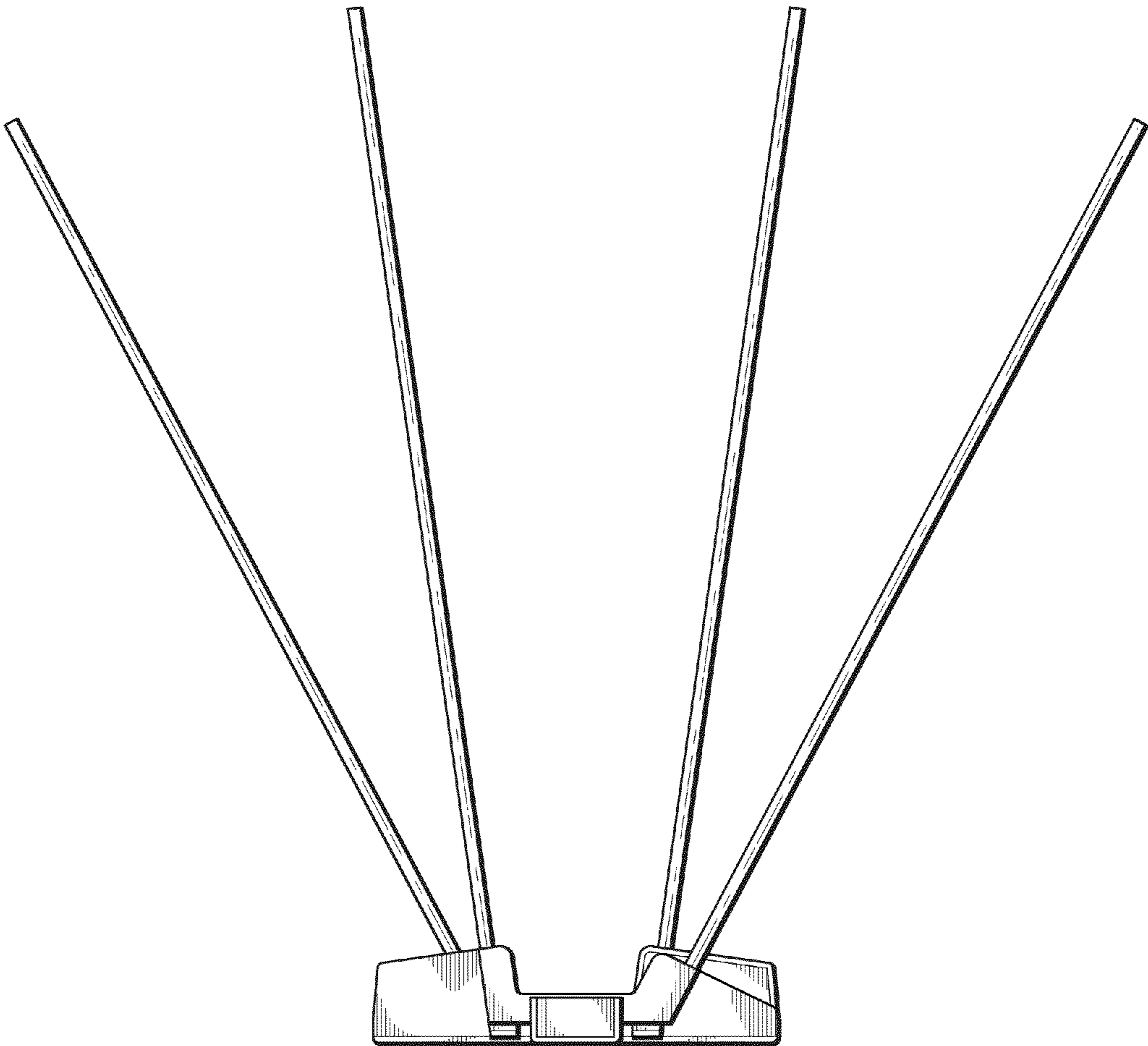


FIG. 2

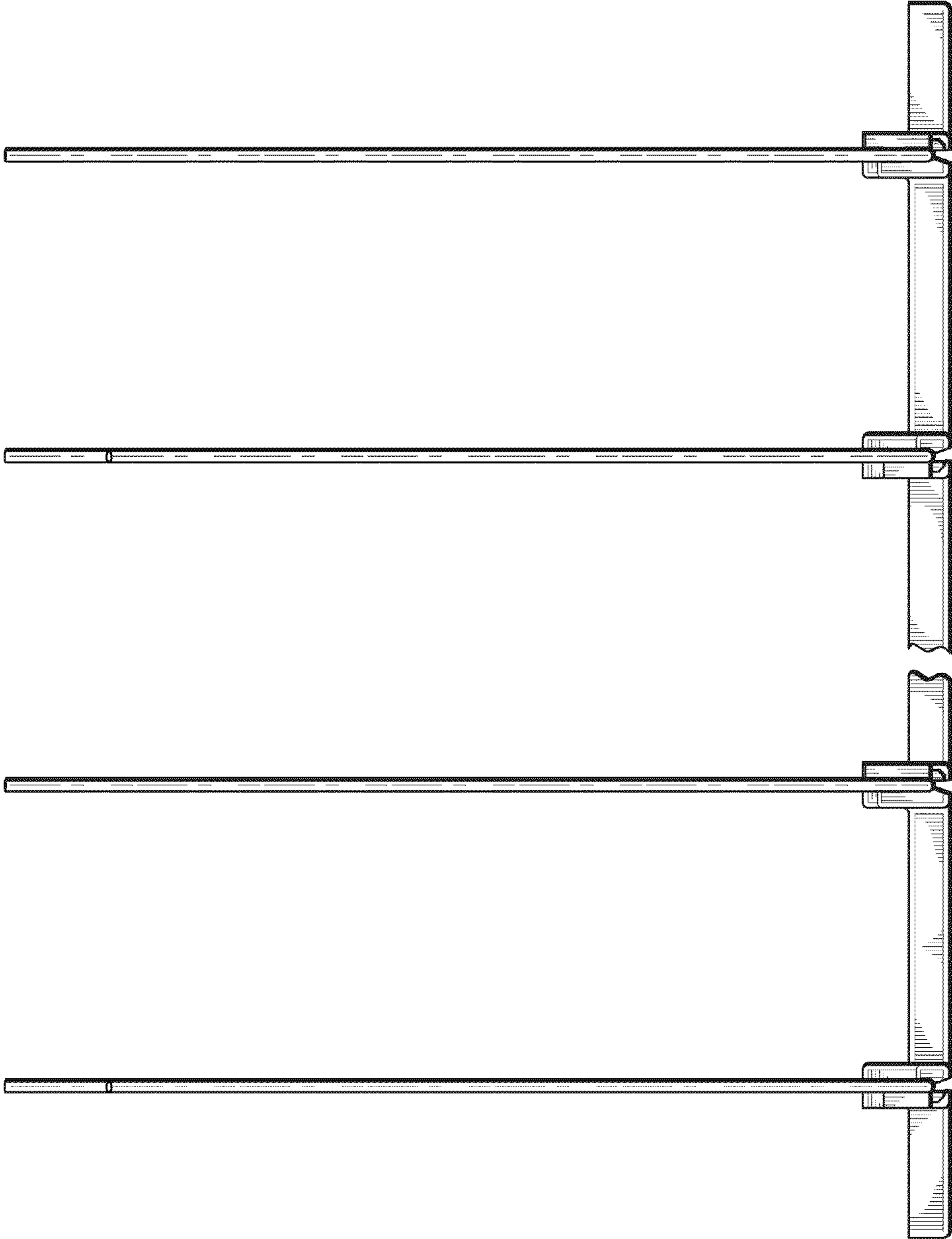


FIG. 3



FIG. 4

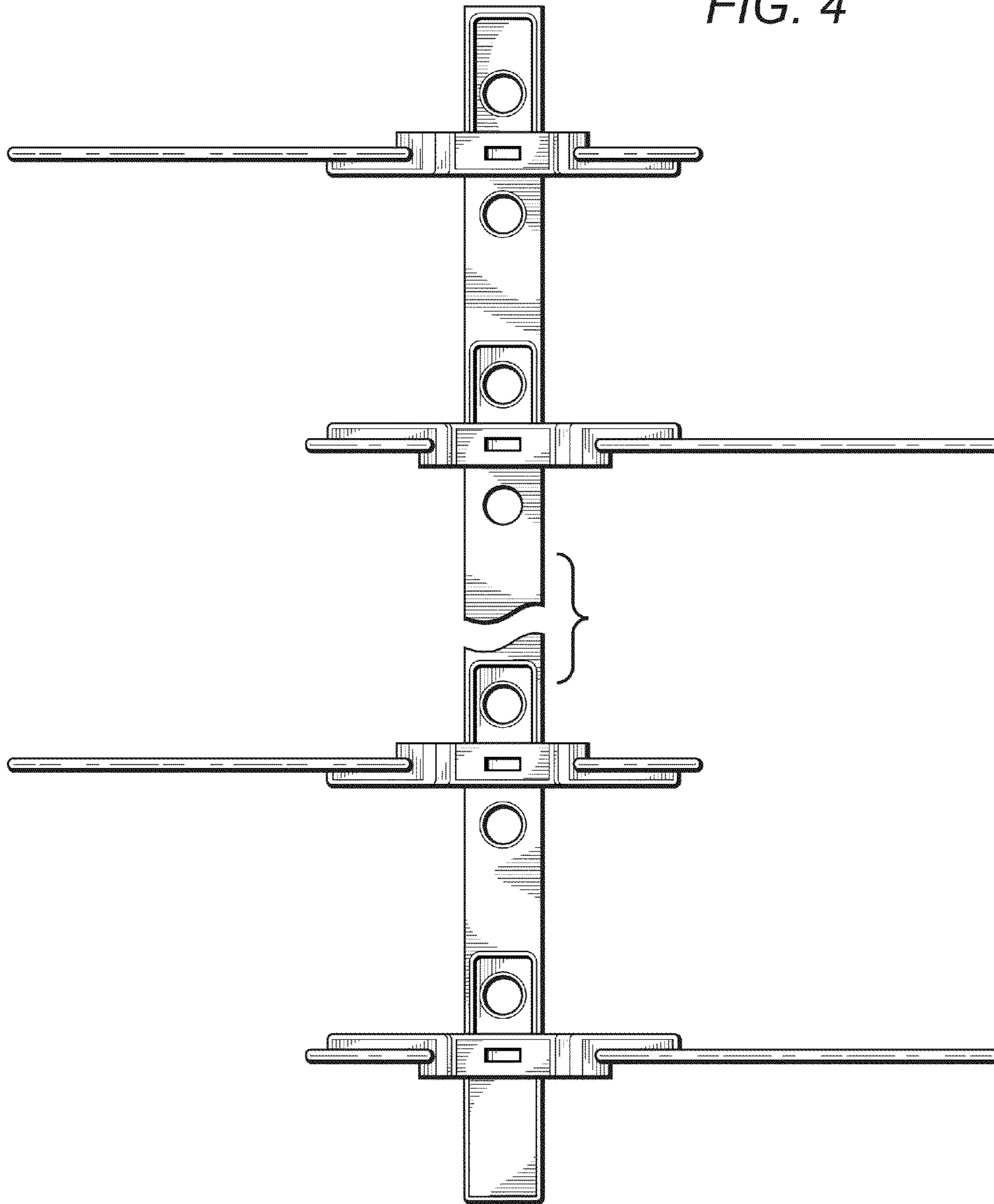
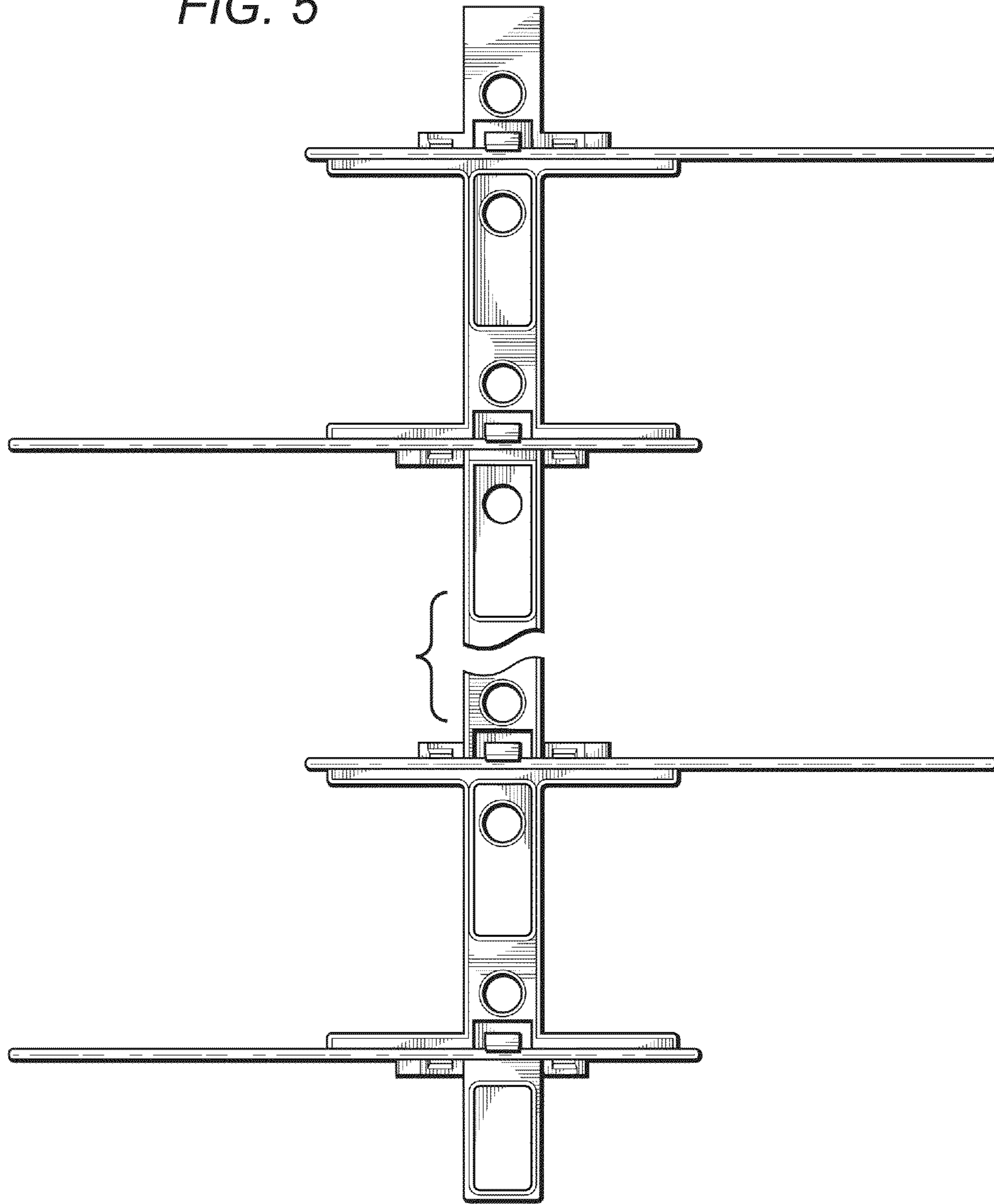


FIG. 5



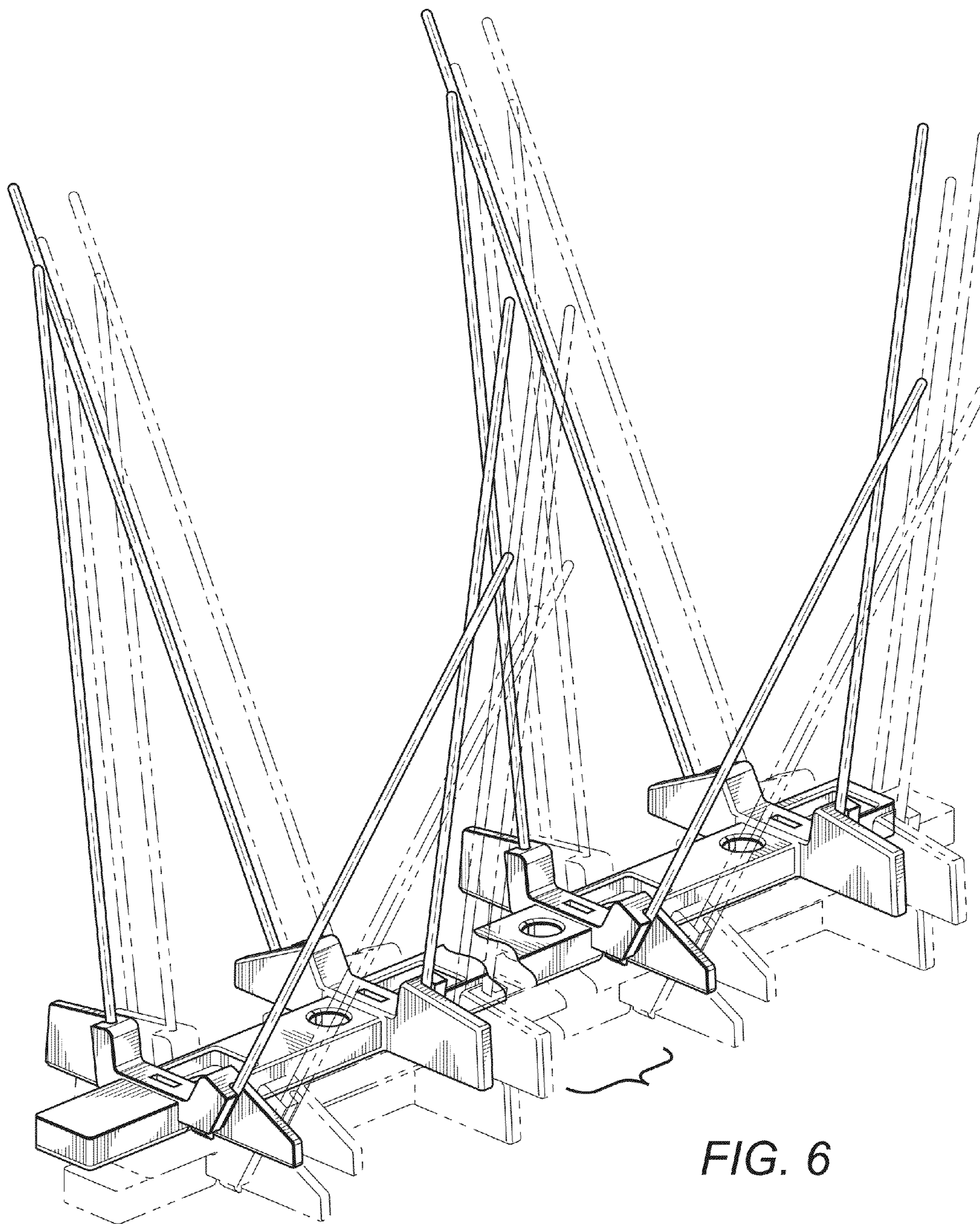


FIG. 6