

US00D693897S

(12) **United States Design Patent**  
**Javorsky**

(10) **Patent No.:** **US D693,897 S**

(45) **Date of Patent:** **\*\* Nov. 19, 2013**

(54) **SMALL ARMS TRANSMITTER MOUNTING BRACKET FOR A MULTIPLE INTEGRATED LASER ENGAGEMENT SYSTEM**

(75) Inventor: **David Javorsky**, Dingmans Ferry, PA (US)

(73) Assignee: **The United States of America as Represented by the Secretary of the Army**, Washington, DC (US)

(\*\*) Term: **14 Years**

(21) Appl. No.: **29/425,779**

(22) Filed: **Jun. 27, 2012**

(51) **LOC (9) Cl.** ..... **22-01**

(52) **U.S. Cl.**  
USPC ..... **D22/108**

(58) **Field of Classification Search**  
USPC ..... D22/108-109; 42/111-128; 89/1.61, 89/200-204

See application file for complete search history.

(56) **References Cited**

**U.S. PATENT DOCUMENTS**

D638,089 S \* 5/2011 Ding ..... D22/109  
D654,552 S \* 2/2012 Wu et al. .... D22/108  
D659,221 S \* 5/2012 Wu et al. .... D22/108

D672,839 S \* 12/2012 Ding ..... D22/109  
D681,767 S \* 5/2013 Li et al. .... D22/109  
2006/0207156 A1 \* 9/2006 Larue ..... 42/127  
2010/0122485 A1 \* 5/2010 Kincel ..... 42/146  
2010/0162611 A1 \* 7/2010 Samson et al. .... 42/125

\* cited by examiner

*Primary Examiner* — Michael A Pratt

(74) *Attorney, Agent, or Firm* — Henry S. Goldfine

(57) **CLAIM**

The ornamental design for a small arms transmitter mounting bracket for a multiple integrated laser engagement system, as shown and described.

**DESCRIPTION**

The invention described and claimed herein may be manufactured, used, and licensed by or for the U.S. Government for U.S. Government purposes.

FIG. 1 is a front view of a small arms transmitter mounting bracket for a multiple integrated laser engagement system of my new design;

FIG. 2 is a left side view thereof;

FIG. 3 is a back view thereof;

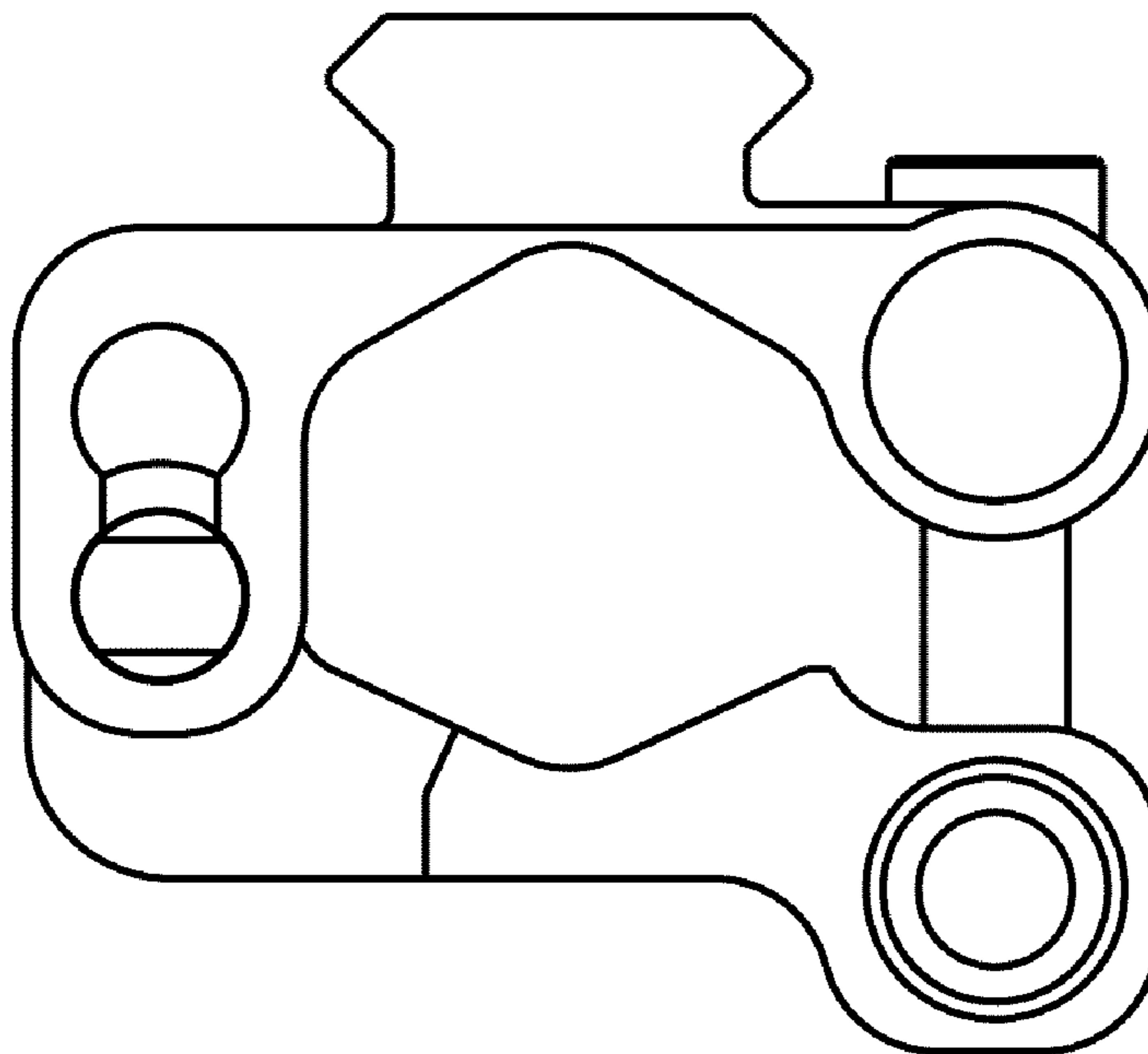
FIG. 4. Is a right side view thereof;

FIG. 5 is a top view thereof;

FIG. 6 is a bottom view thereof; and,

FIG. 7 is a perspective view thereof.

**1 Claim, 7 Drawing Sheets**



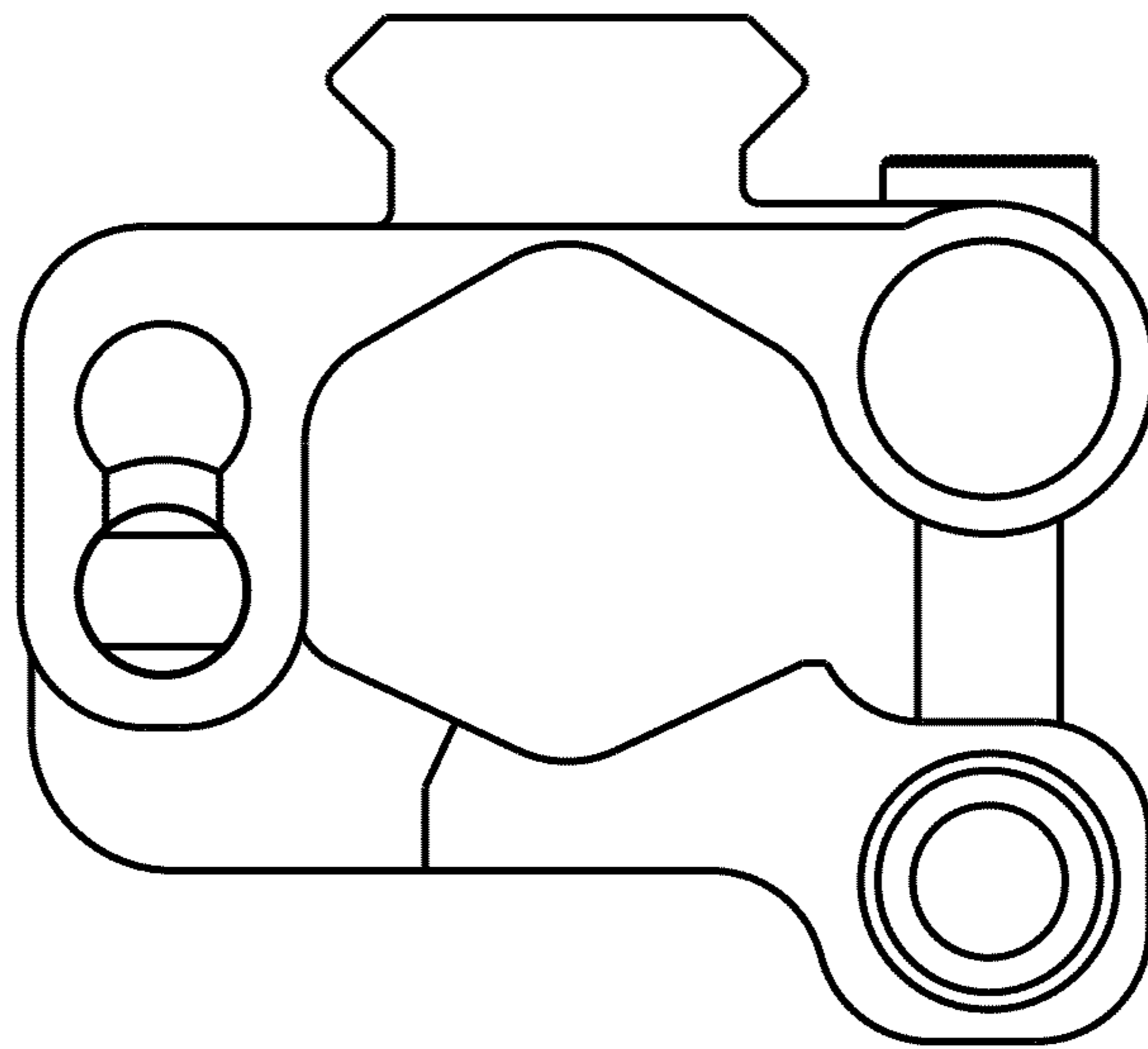


FIGURE 1

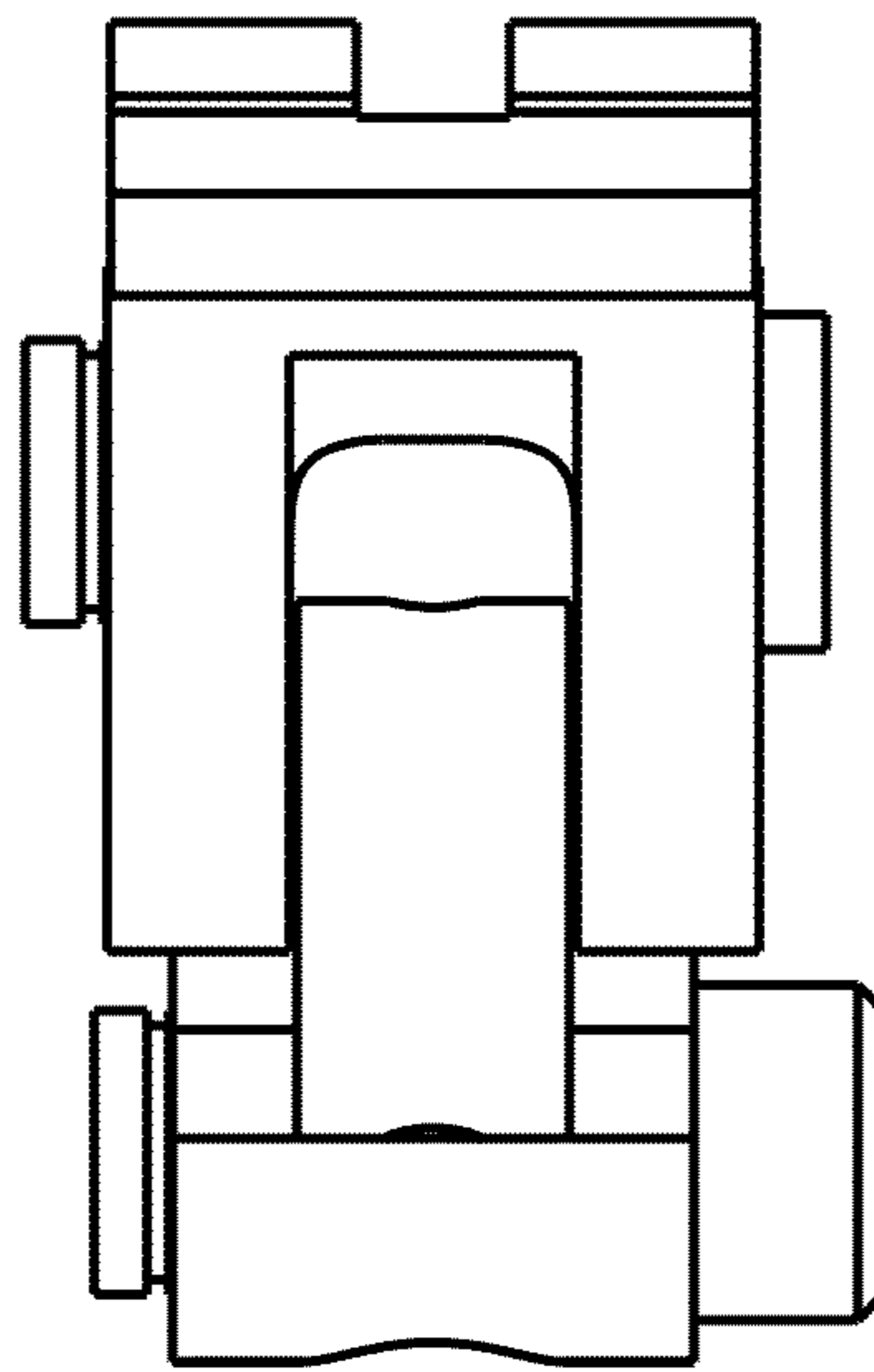


FIGURE 2

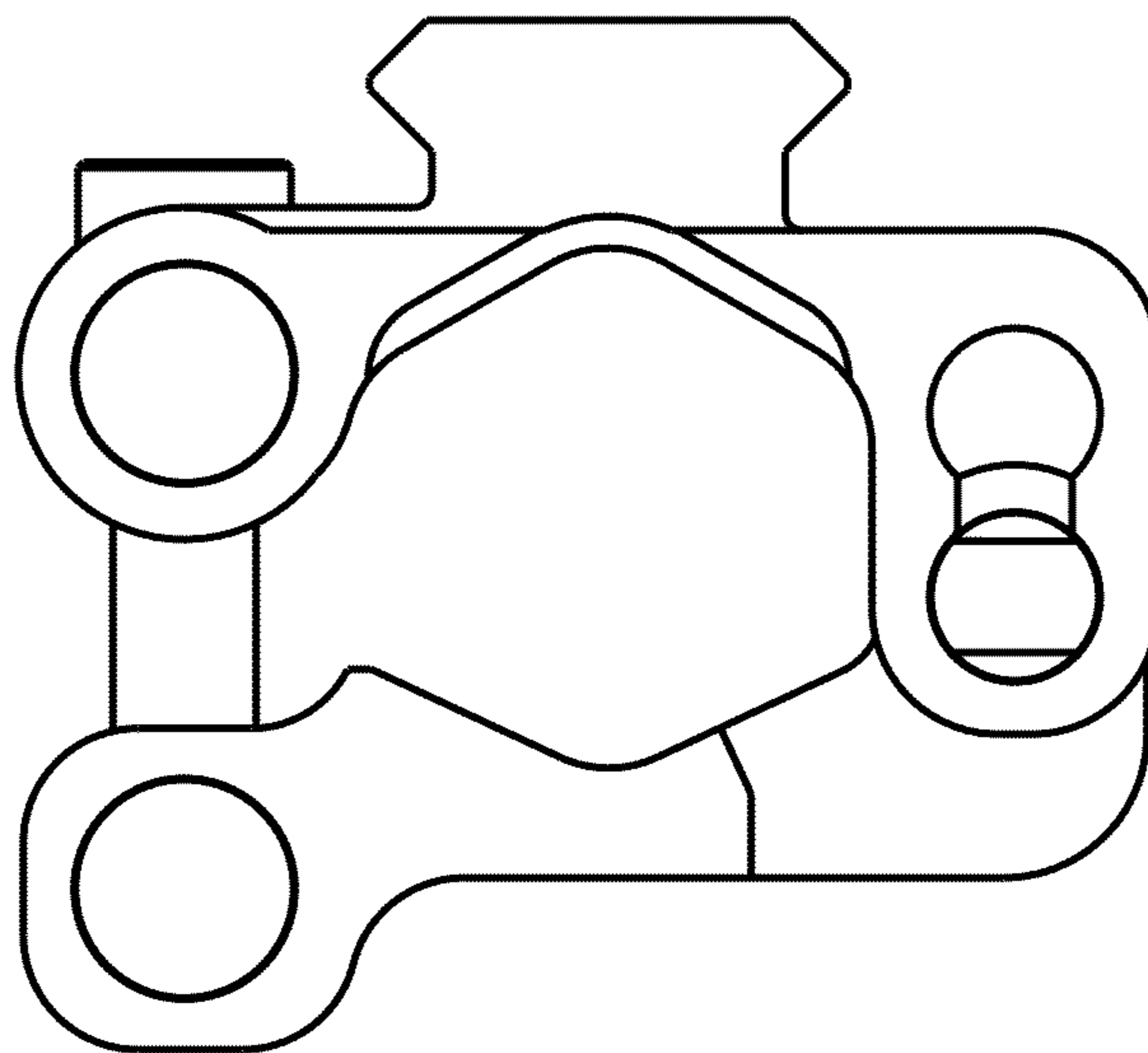


FIGURE 3

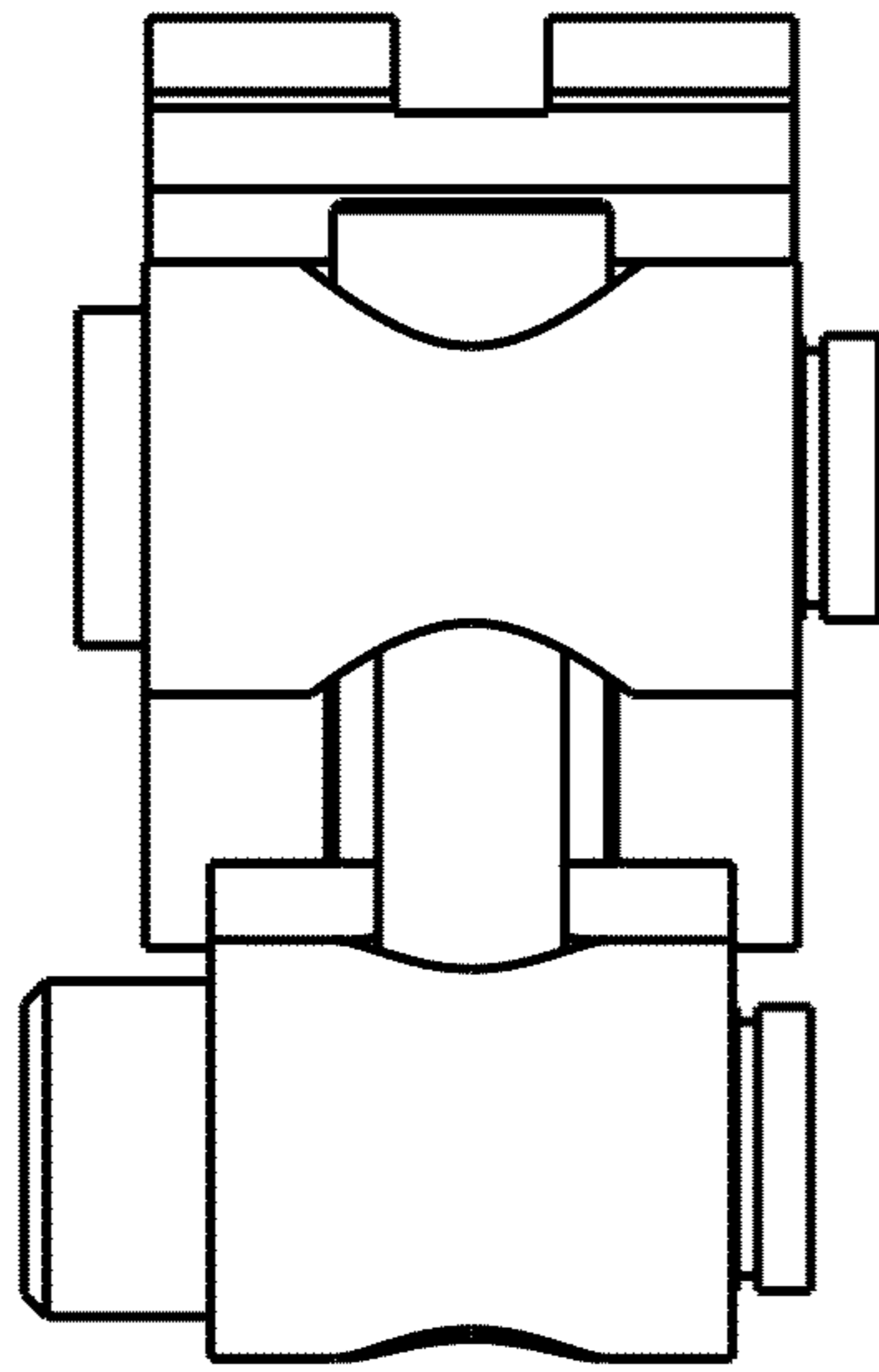


FIGURE 4

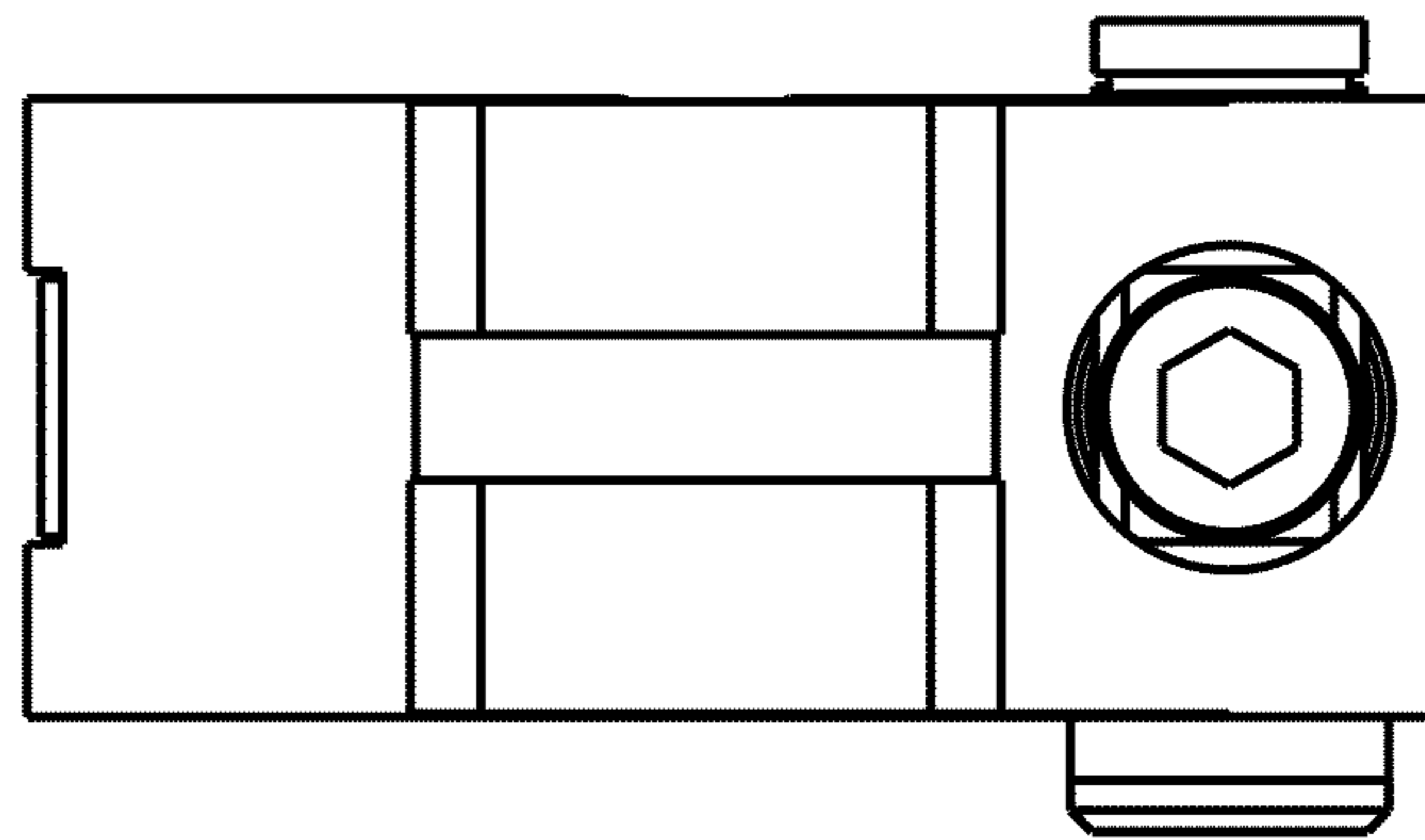


FIGURE 5

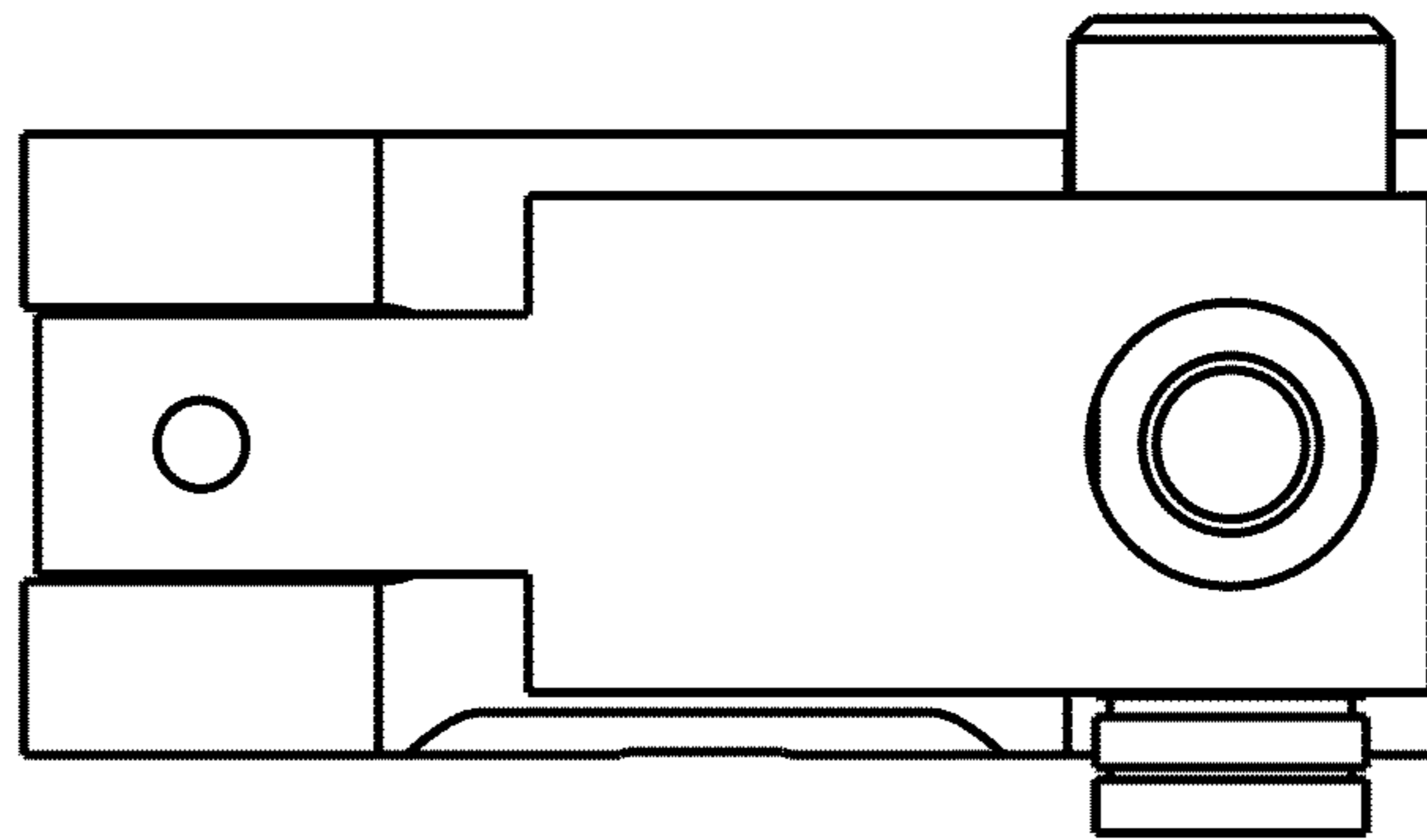


FIGURE 6

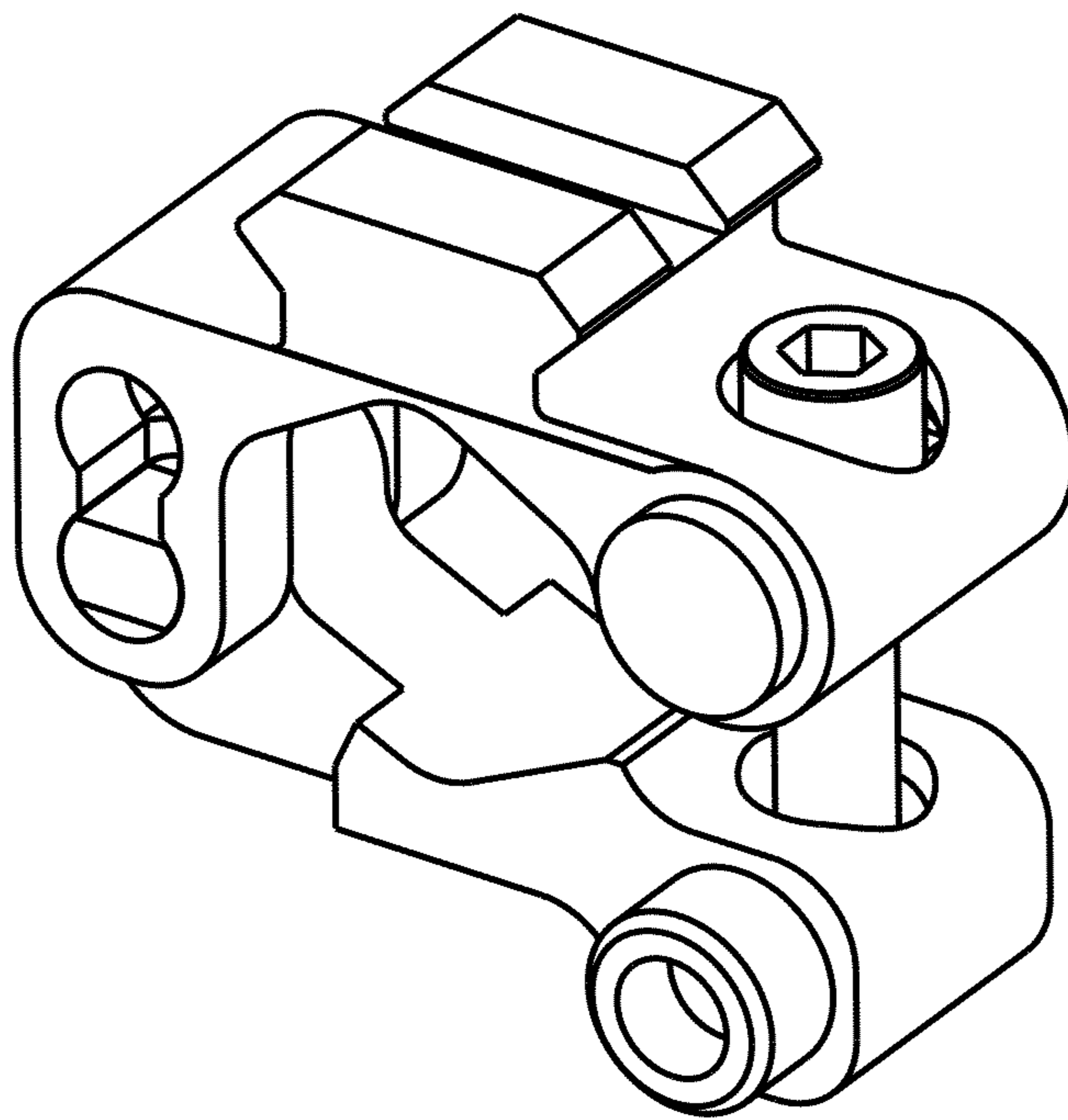


FIGURE 7