



US00D693894S

(12) **United States Design Patent**
Brensinger

(10) **Patent No.:** **US D693,894 S**

(45) **Date of Patent:** **** Nov. 19, 2013**

(54) **TENT**

(75) **Inventor:** **Cam Brensinger**, Stratham, NH (US)

(73) **Assignee:** **Nemo Equipment, Inc.**, Dover, NH (US)

(**) **Term:** **14 Years**

(21) **Appl. No.:** **29/425,810**

(22) **Filed:** **Jun. 27, 2012**

(51) **LOC (9) Cl.** **21-04**

(52) **U.S. Cl.**
USPC **D21/834**

(58) **Field of Classification Search**
USPC D21/834, 836-839; D25/13, 16, 17, 18,
D25/20, 26, 32, 56, 57; 135/87, 90, 93, 94,
135/96-99, 115, 117, 121, 124-128, 133,
135/135, 138, 143, 157, 900, 908;
296/159-161

See application file for complete search history.

4,886,084	A *	12/1989	Lawrence et al.	135/124
D325,239	S *	4/1992	Norman	D21/834
5,159,948	A *	11/1992	Moreau et al.	135/125
5,222,513	A *	6/1993	Hilliard	135/97
D351,011	S *	9/1994	Tsai	D21/834
D369,638	S *	5/1996	Smith	D21/834
D382,621	S *	8/1997	Bohart	D21/834
D382,622	S *	8/1997	Bohart	D21/834
D383,518	S *	9/1997	Bohart	D21/834
D562,425	S *	2/2008	Dalland et al.	D21/837
D609,766	S *	2/2010	Wilgus et al.	D21/834
D652,885	S *	1/2012	Frey	D21/834
2002/0134415	A1 *	9/2002	Boulangue	135/117

* cited by examiner

Primary Examiner — Cynthia M Chin

(74) *Attorney, Agent, or Firm* — Bourque and Associates, PA

(57) **CLAIM**
The ornamental design for a tent, as shown.

(56) **References Cited**

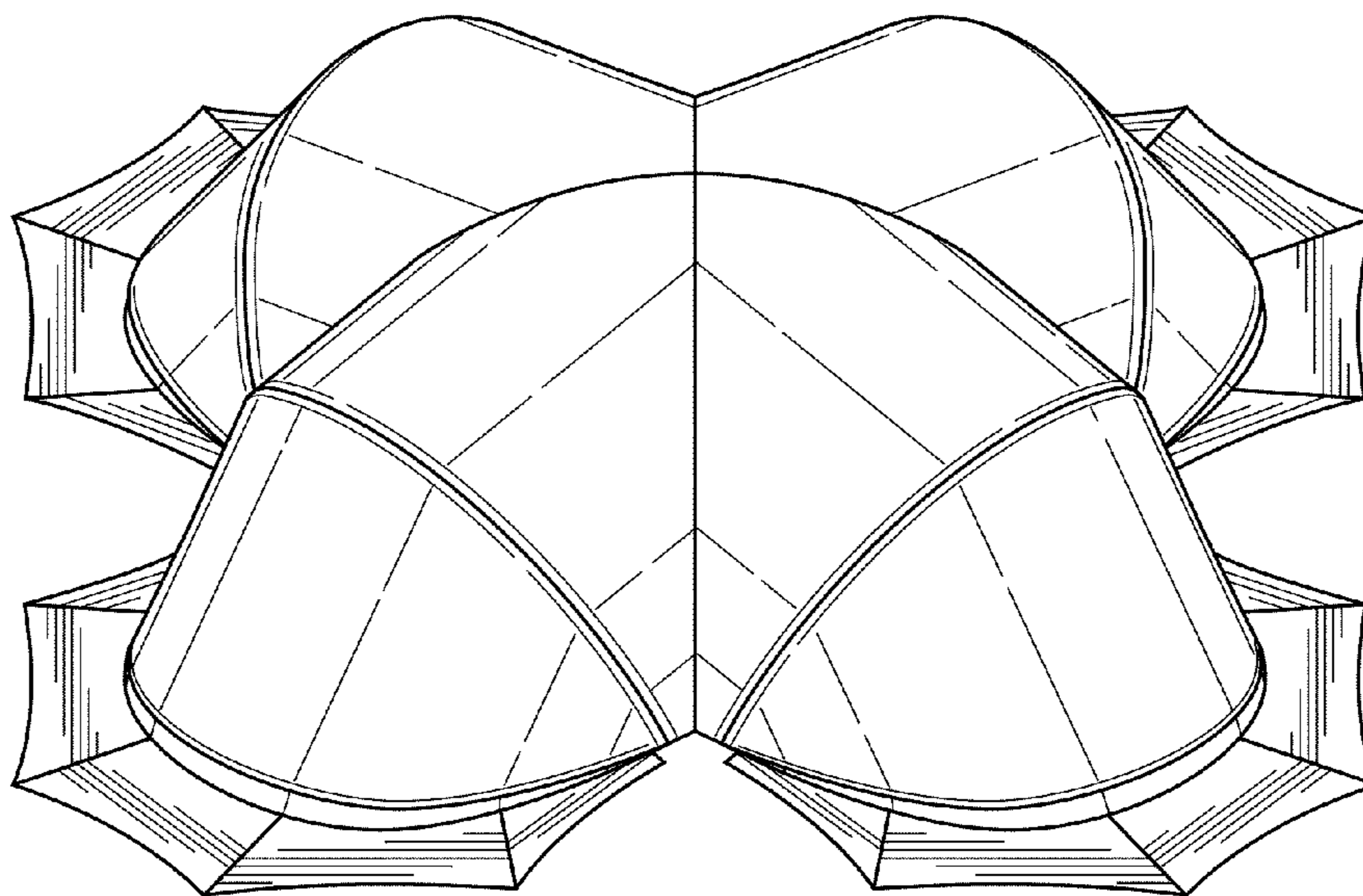
U.S. PATENT DOCUMENTS

3,533,202	A *	10/1970	Gellert	52/80.1
D224,761	S *	9/1972	Pohl et al.	D21/834
D230,724	S *	3/1974	Infante	D25/4
4,063,566	A *	12/1977	Millerioux	135/97
4,078,572	A *	3/1978	Moss	135/97
D252,638	S *	8/1979	Steinhardt et al.	D21/834

DESCRIPTION

FIG. 1 is a perspective view of the tent according to the present invention;
FIG. 2 is a front view of the tent;
FIG. 3 is a side view of the tent; and,
FIG. 4 is a top view of the tent thereof.

1 Claim, 3 Drawing Sheets



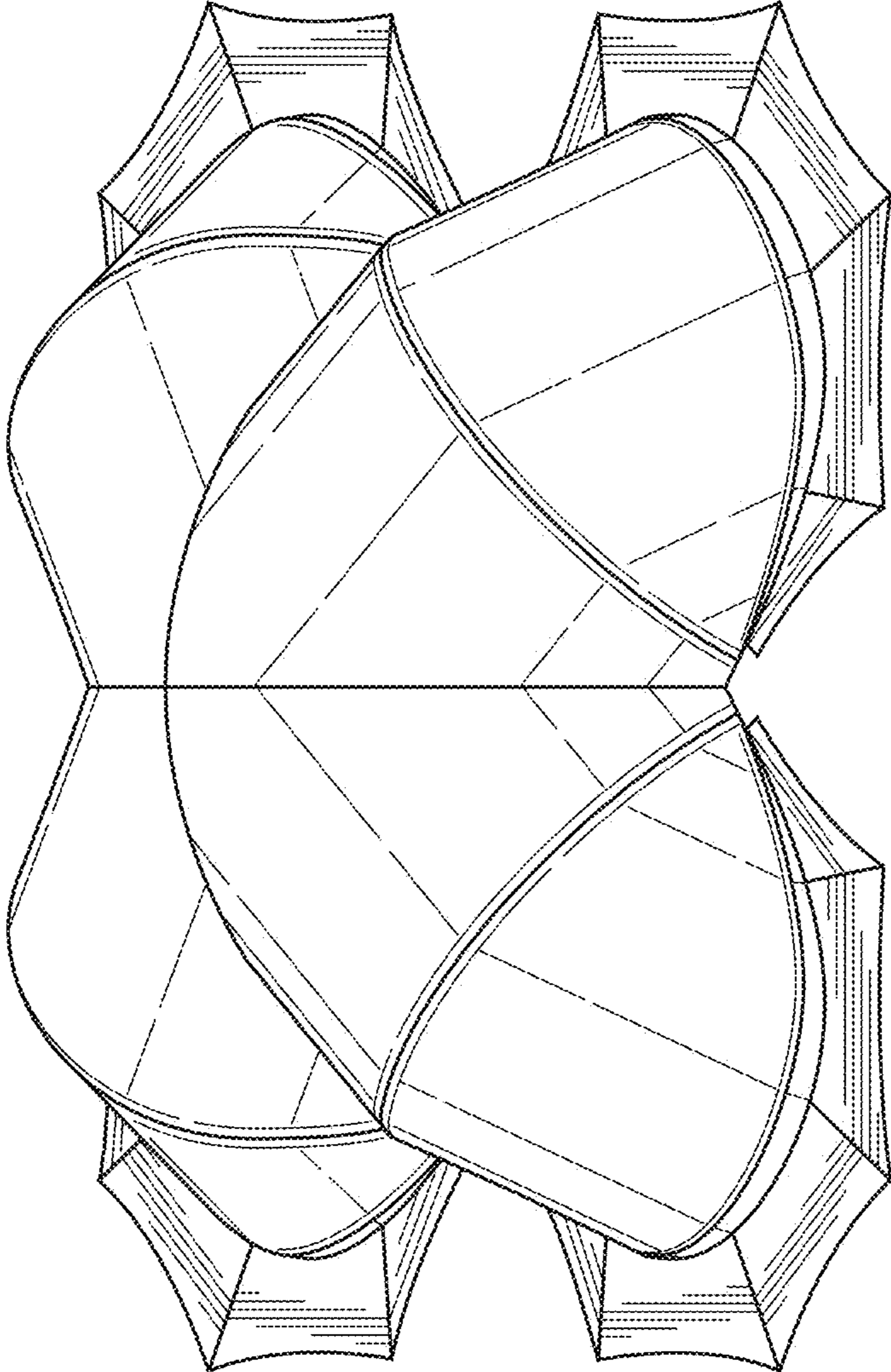


FIG. 1

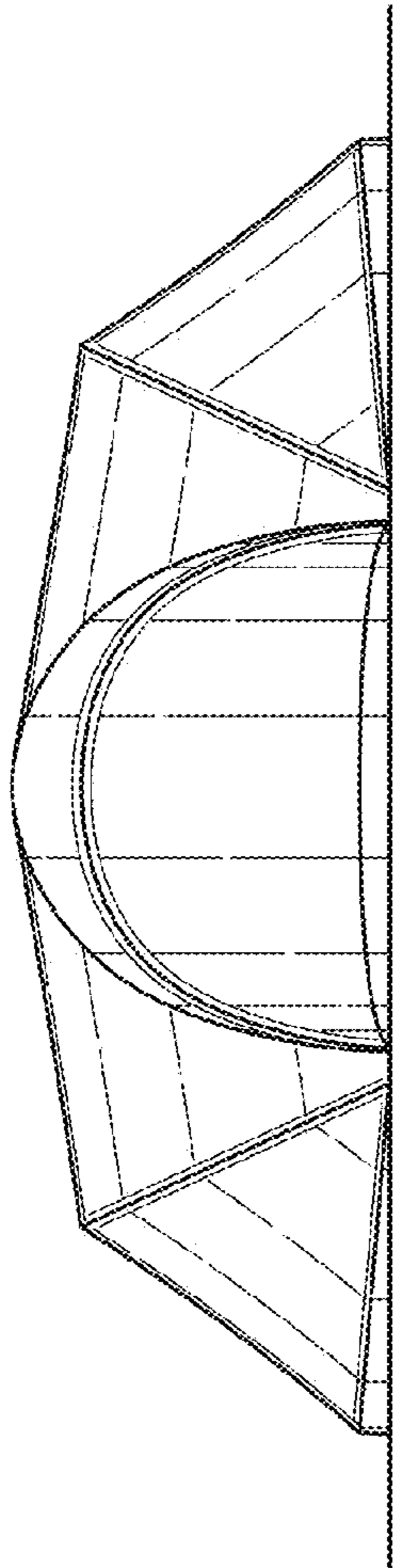


FIG. 2

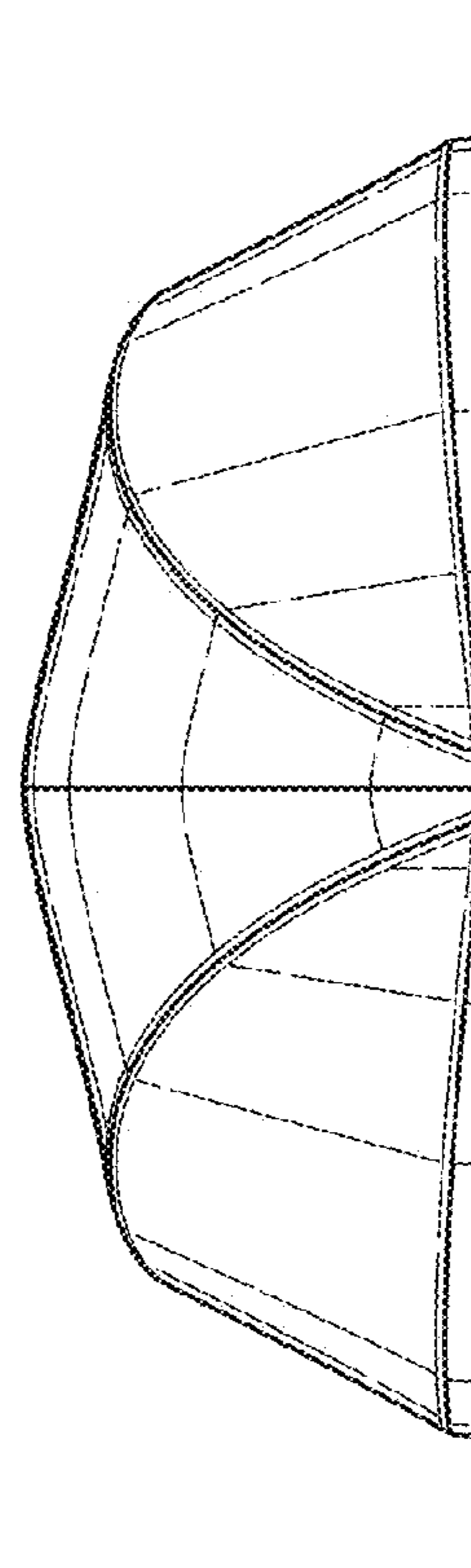


FIG. 3

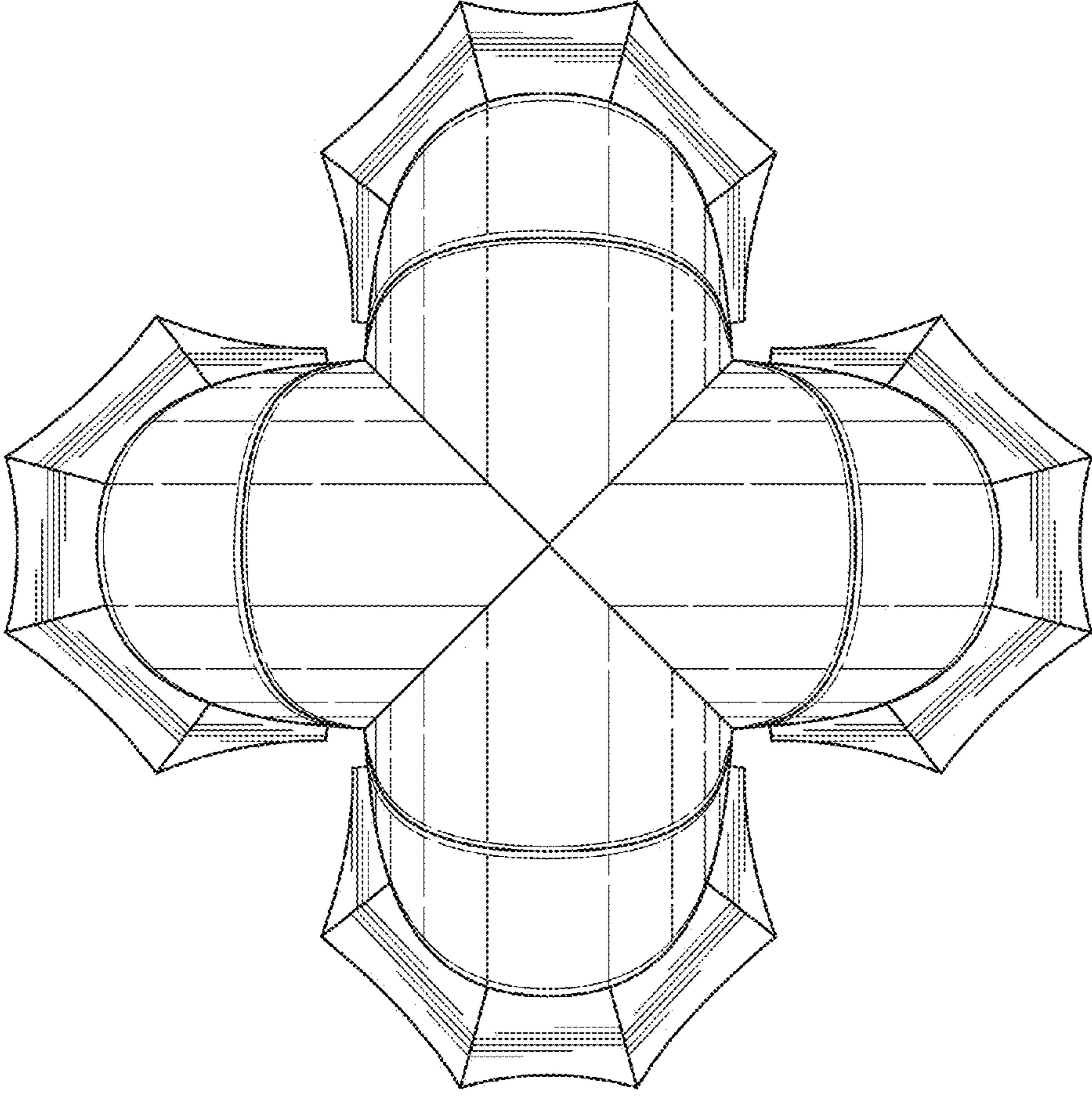


FIG. 4