



US00D693893S

(12) **United States Design Patent**  
**Jandke**

(10) **Patent No.:** **US D693,893 S**

(45) **Date of Patent:** **\*\* Nov. 19, 2013**

(54) **PIPE OBSTACLE FOR WATER SPORTS**

(75) Inventor: **Stefan Jandke**, Cologne (DE)

(73) Assignee: **UNIT Parktech AG**, Roesrath (DE)

(\*\*) Term: **14 Years**

(21) Appl. No.: **29/420,247**

(22) Filed: **May 7, 2012**

(51) **LOC (9) Cl.** ..... **21-02**

(52) **U.S. Cl.**  
USPC ..... **D21/803**

(58) **Field of Classification Search**  
USPC ..... D21/769-770, 801, 803, 809; 114/253,  
114/345-346; 441/35, 66, 74, 40-42,  
441/129-132; 472/128-129; D12/5, 6, 316  
See application file for complete search history.

(56) **References Cited**

**U.S. PATENT DOCUMENTS**

D246,638 S \* 12/1977 Hegedus ..... D34/32  
D375,989 S \* 11/1996 Jacobs ..... D21/809  
5,628,584 A \* 5/1997 Lochtefeld ..... 405/79

D451,568 S \* 12/2001 Gordon ..... D21/802  
6,454,659 B1 \* 9/2002 Noble ..... 472/117  
D521,710 S \* 5/2006 Goldschmidt ..... D34/32  
7,210,976 B2 \* 5/2007 Gordon ..... 441/129  
7,547,255 B2 \* 6/2009 Lochtefeld ..... 472/90  
2009/0275416 A1 \* 11/2009 Murphy ..... 472/128

\* cited by examiner

*Primary Examiner* — Zenia Bennett

(74) *Attorney, Agent, or Firm* — Richard M. Klein; Fay Sharpe LLP

(57) **CLAIM**

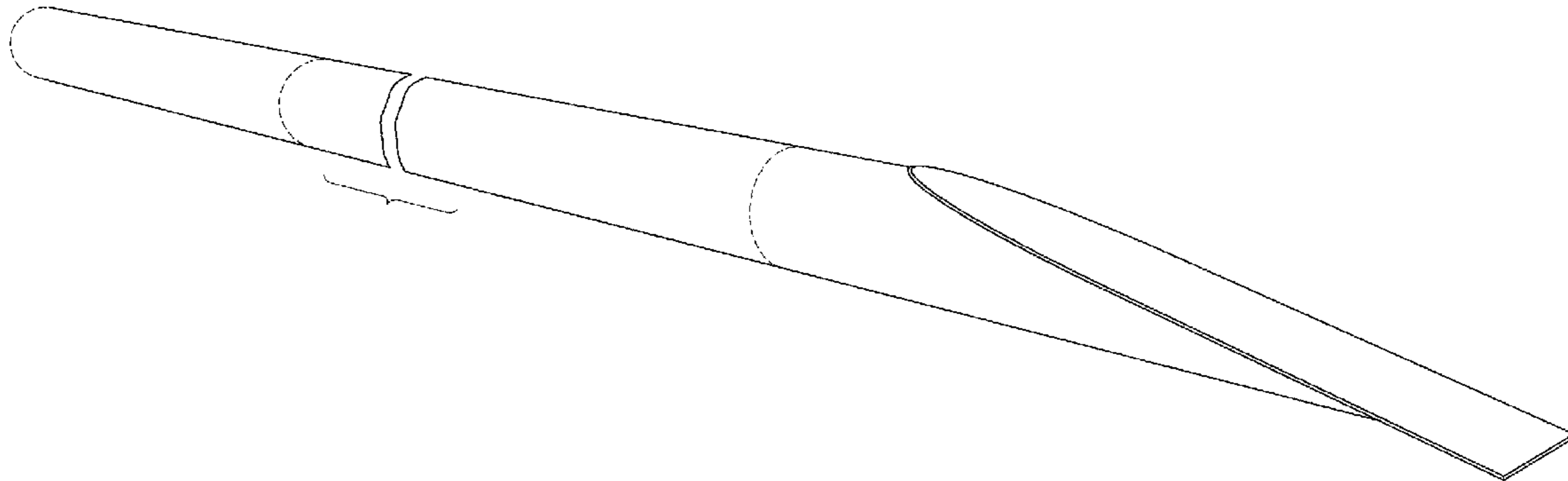
The ornamental design for a pipe obstacle for water sports, as shown and described.

**DESCRIPTION**

FIG. 1 is a side view, the opposite side being a mirror image; FIG. 2 is a rear side perspective view; FIG. 3 is a bottom view; FIG. 4 is a front end view; and, FIG. 5 is a rear end view.

The broken lines are boundaries that form no part of the claimed design. The pipe is shown broken away to show indeterminate length and for ease of illustration.

**1 Claim, 3 Drawing Sheets**



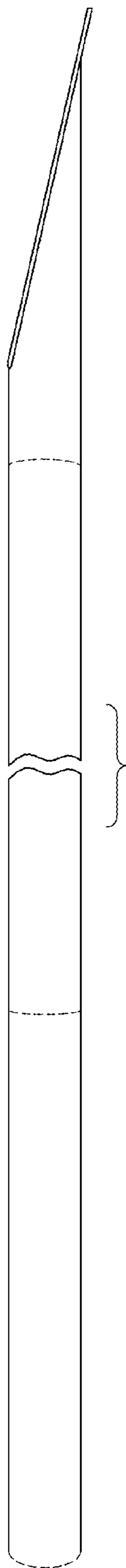


FIG. 1

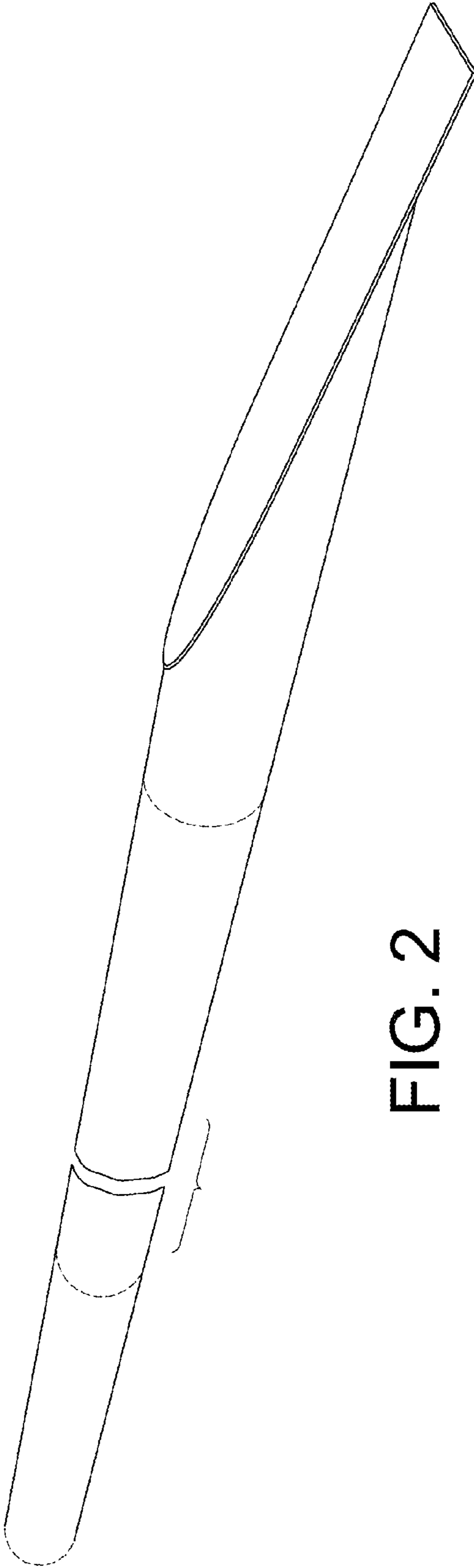


FIG. 2

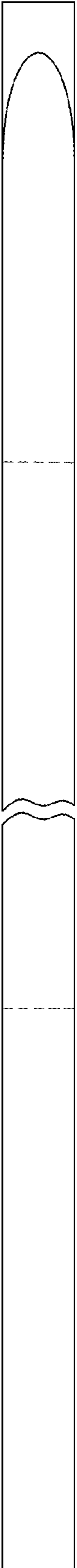


FIG. 3

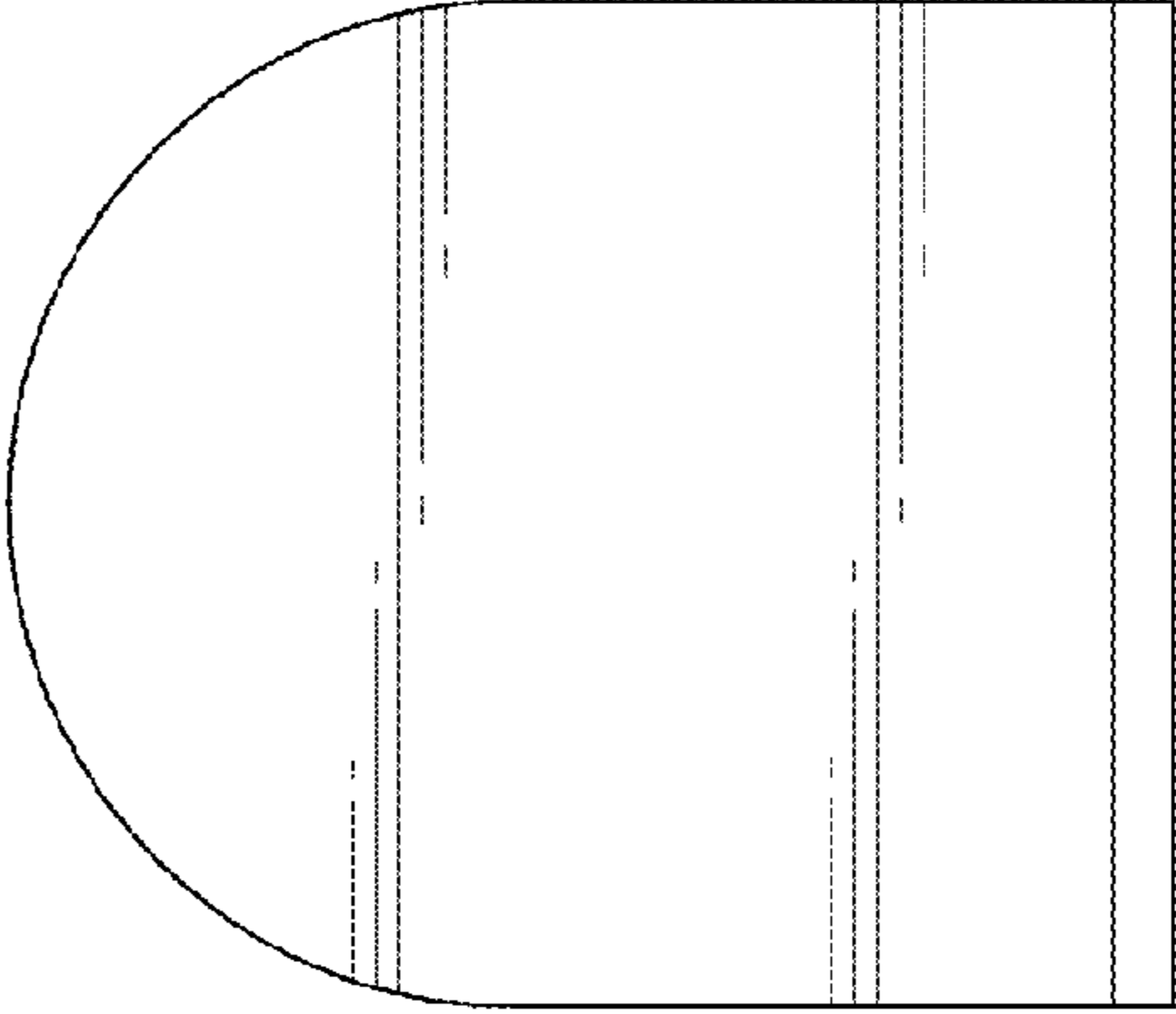


FIG. 5

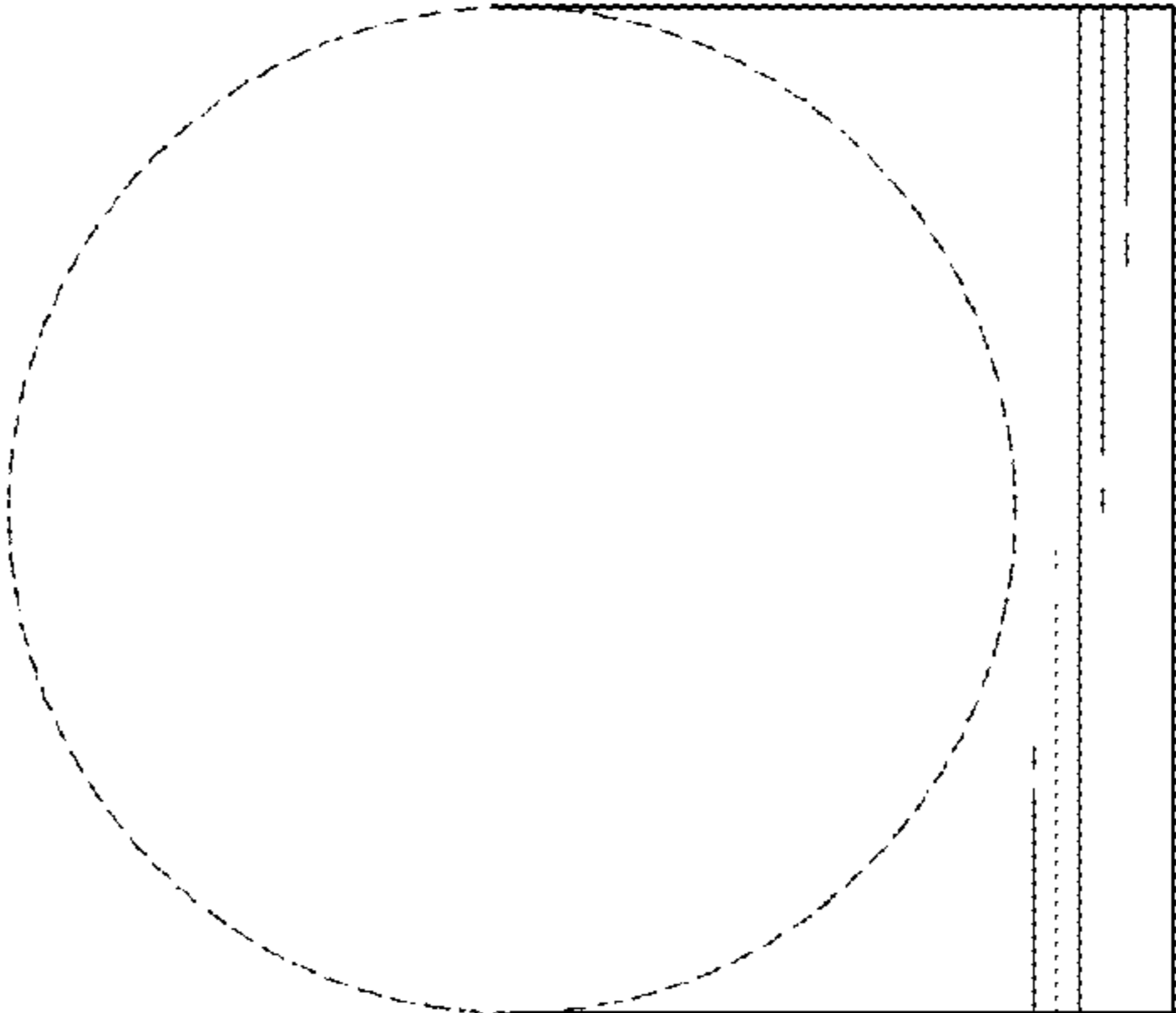


FIG. 4