



US00D693892S

(12) **United States Design Patent**
Bentley et al.

(10) **Patent No.:** **US D693,892 S**

(45) **Date of Patent:** **** Nov. 19, 2013**

(54) **GOLF SHAFT MOUNT**

(56) **References Cited**

(71) Applicant: **Blast Motion, Inc.**, Encinitas, CA (US)

U.S. PATENT DOCUMENTS

(72) Inventors: **Michael Bentley**, Encinitas, CA (US);
Bhaskar Bose, Carlsbad, CA (US);
Ryan Kaps, Fountain Hills, AZ (US);
Joseph Scarbo, Rancho Margarita, CA (US)

D399,597 S *	10/1998	Craven	D27/183
D405,145 S *	2/1999	Bac et al.	D21/793
D432,404 S *	10/2000	Garfinkle	D8/395
D523,512 S *	6/2006	Rydzynski et al.	D21/796
D663,947 S *	7/2012	Jertson	D3/218

(73) Assignee: **Blast Motion, Inc.**, Burlingame, CA (US)

* cited by examiner

Primary Examiner — Mitchell Siegel

(**) Term: **14 Years**

(74) *Attorney, Agent, or Firm* — ARC IP Law, PC; Joseph J. Mayo

(21) Appl. No.: **29/441,943**

(57) **CLAIM**

(22) Filed: **Jan. 11, 2013**

The ornamental design for a golf shaft mount, as shown and described.

Related U.S. Application Data

(63) Continuation-in-part of application No. 13/298,158, filed on Nov. 16, 2011.

(51) **LOC (9) Cl.** **21-02**

(52) **U.S. Cl.**
USPC **D21/796; D3/218**

(58) **Field of Classification Search**
USPC D21/789, 796; 473/282, 283, 299;
224/247, 674-676; D3/215-219, 224,
D3/226; D8/395-396

See application file for complete search history.

DESCRIPTION

FIG. 1 is a perspective view of a golf shaft mount.
FIG. 2 is a top view of the golf shaft mount.
FIG. 3 is a bottom view of the golf shaft mount.
FIG. 4 is a right side view of the golf shaft mount.
FIG. 5 is a left side view of the golf shaft mount.
FIG. 6 is a front view of the golf shaft mount; and,
FIG. 7 is a rear view of the golf shaft mount.

1 Claim, 5 Drawing Sheets

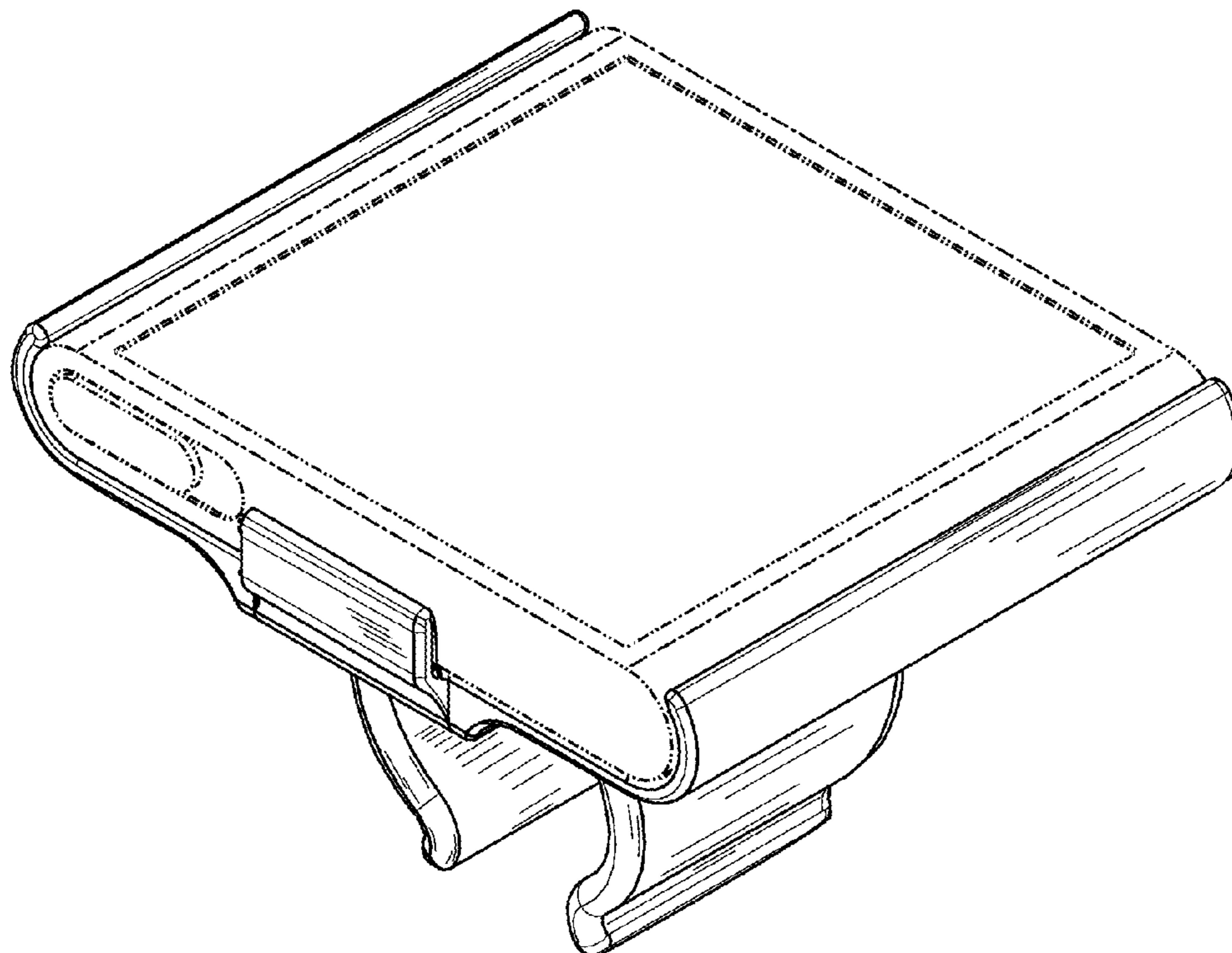


FIGURE 1

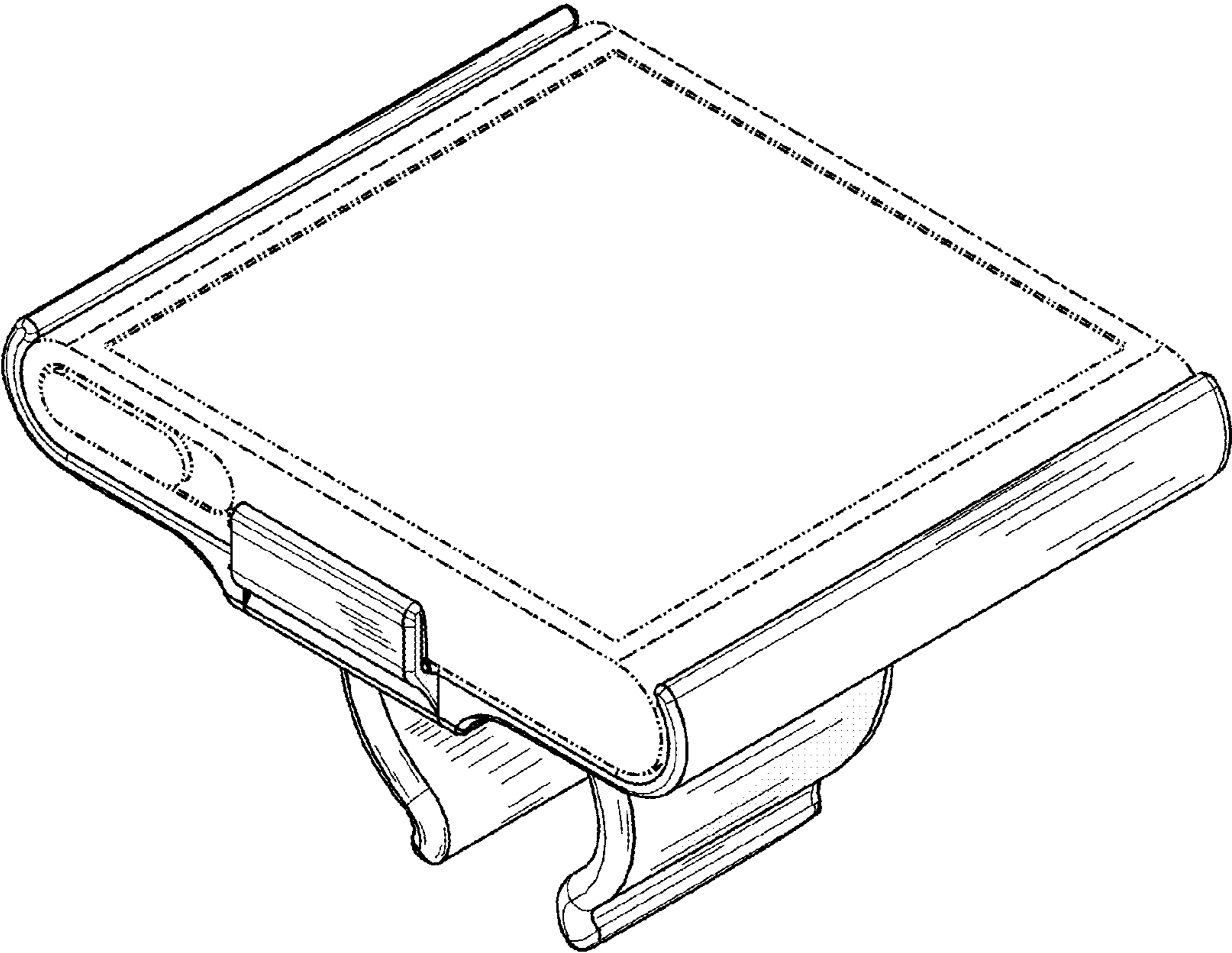


FIGURE 2

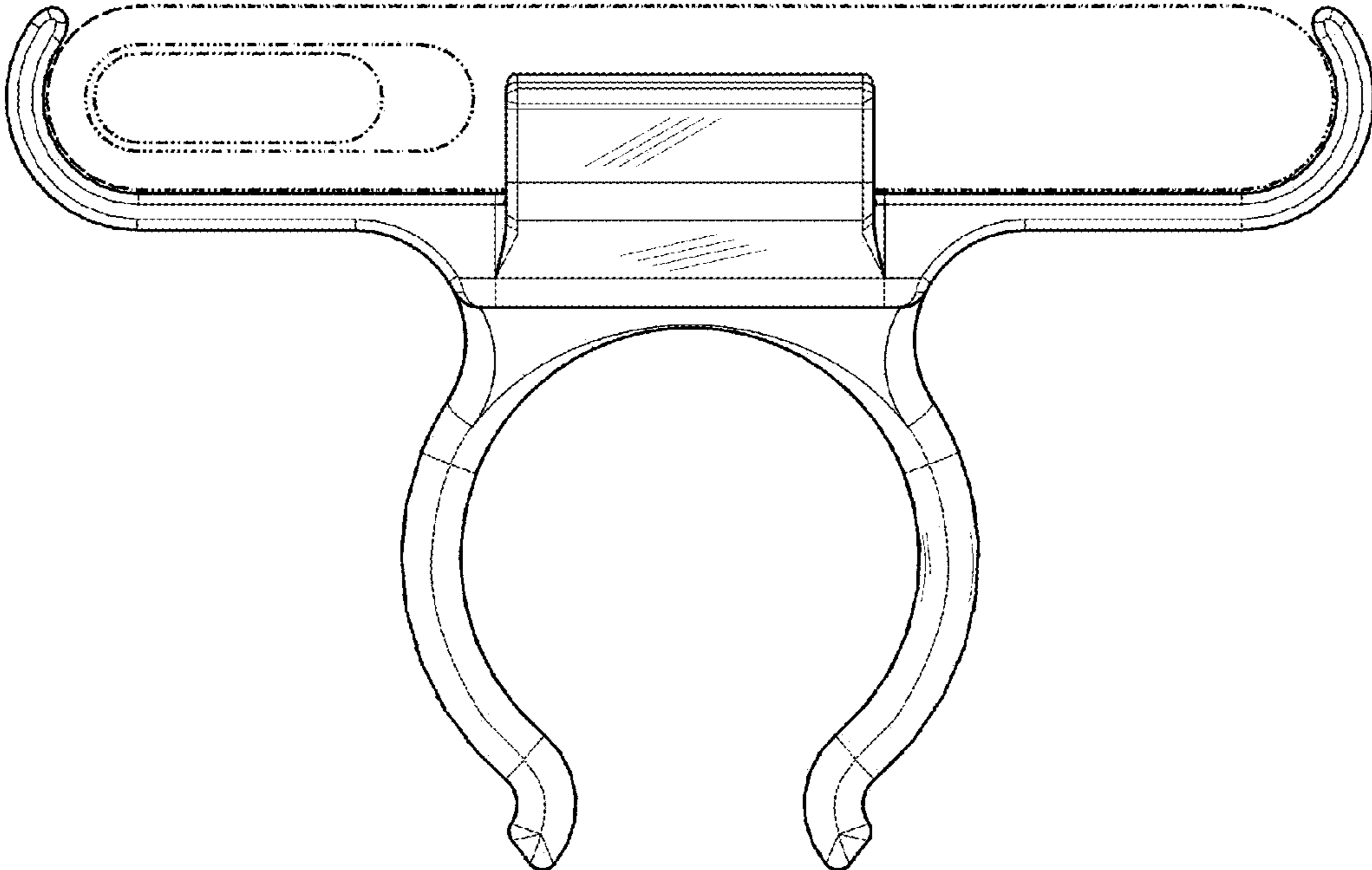


FIGURE 3

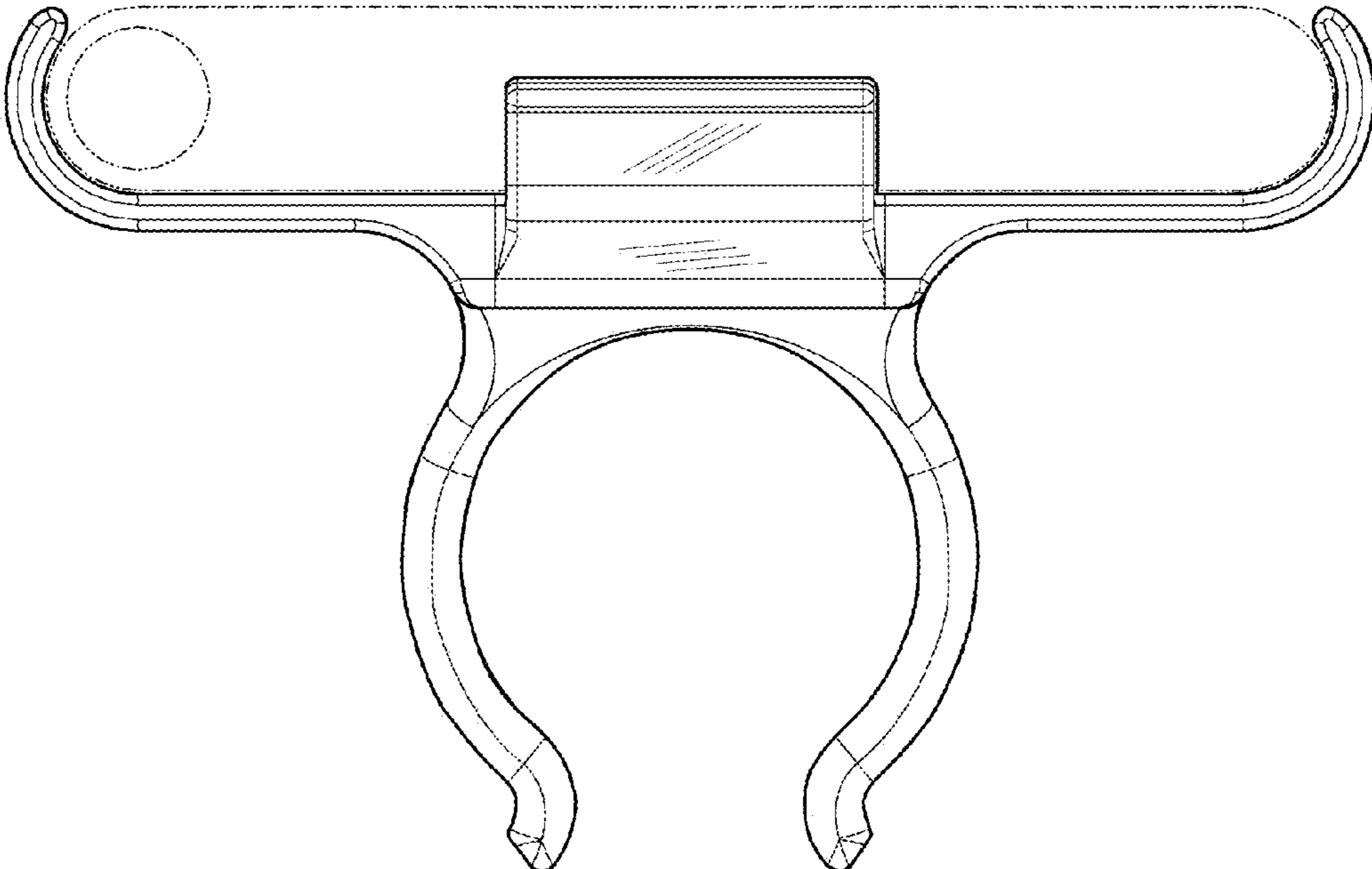


FIGURE 4

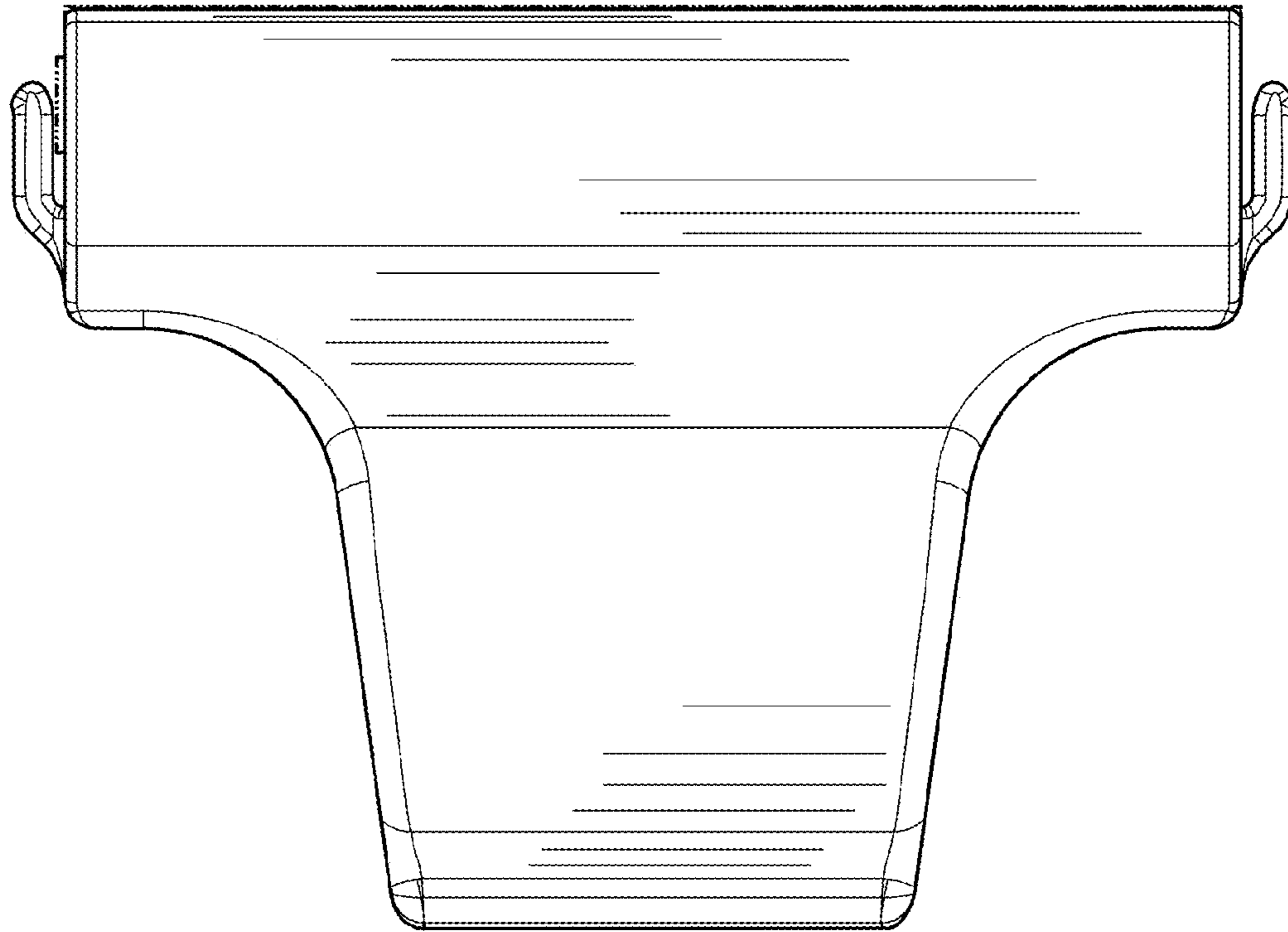


FIGURE 5

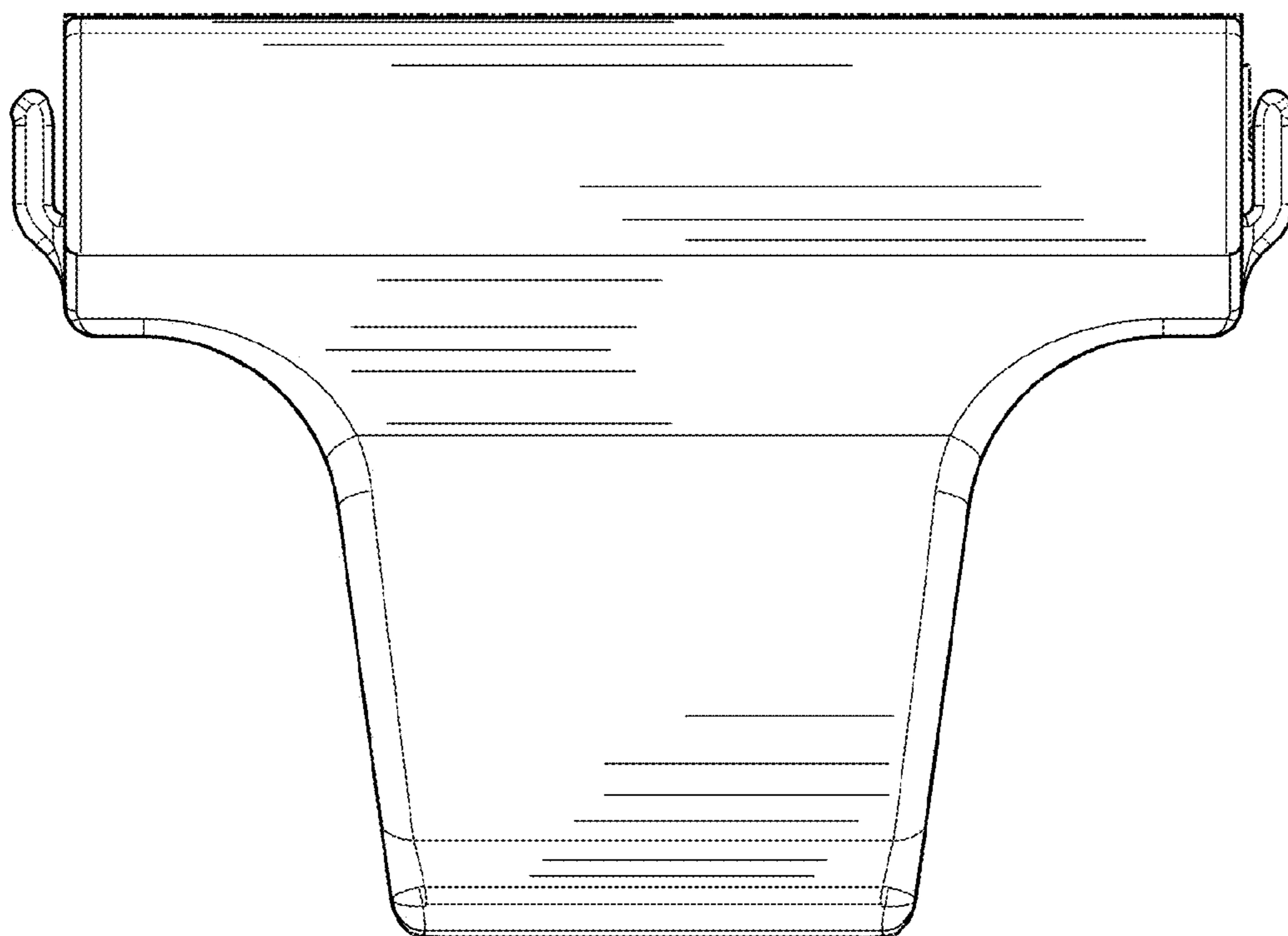


FIGURE 6

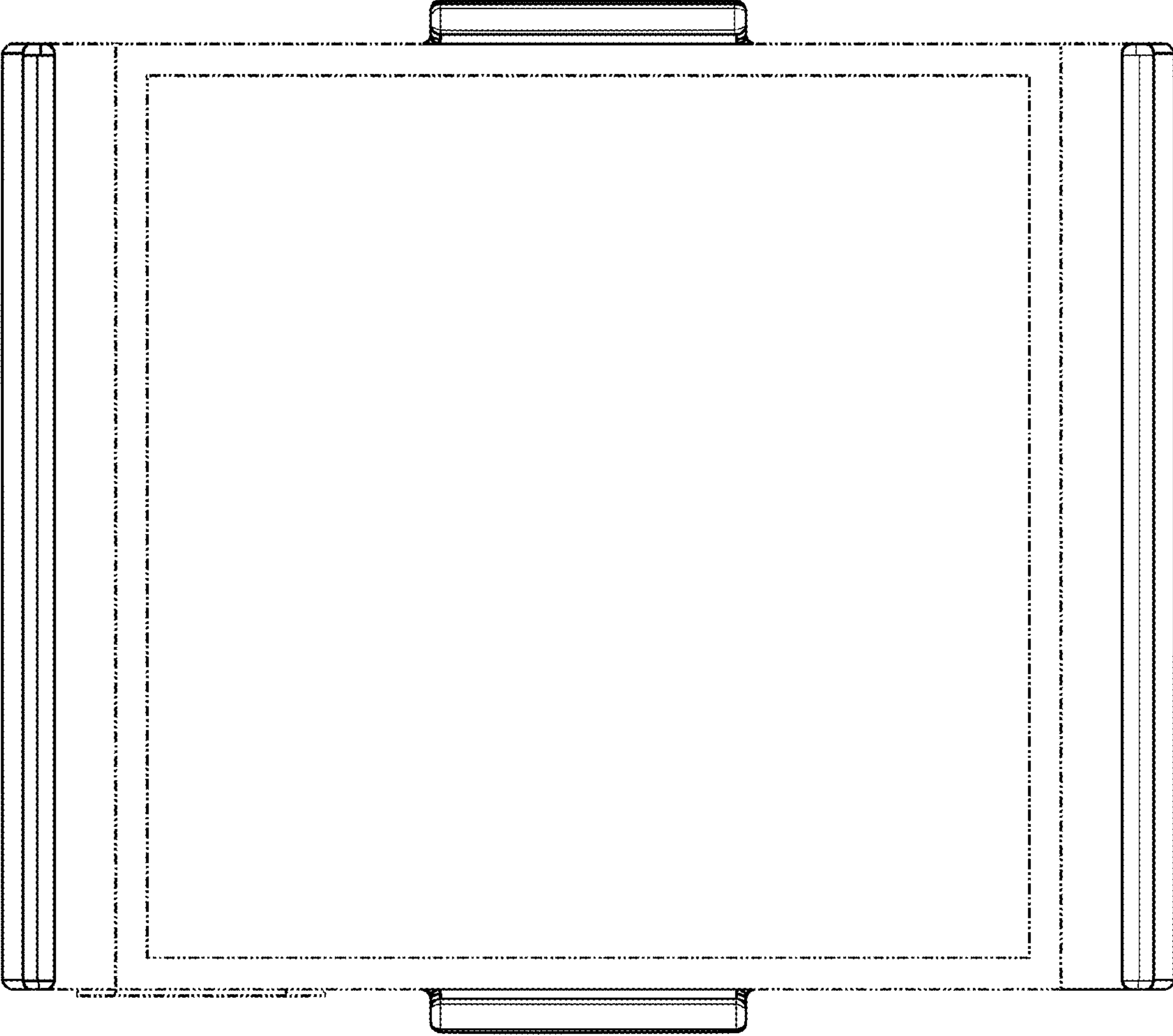


FIGURE 7

