



US00D693891S

(12) **United States Design Patent**  
**Sacks**

(10) **Patent No.:** **US D693,891 S**

(45) **Date of Patent:** **\*\* Nov. 19, 2013**

(54) **GOLF CLUB HEAD**

(76) Inventor: **Ralph Sacks**, Chicago, IL (US)

(\*\*) Term: **14 Years**

(21) Appl. No.: **29/424,765**

(22) Filed: **Jun. 15, 2012**

(51) **LOC (9) Cl.** ..... **21-02**

(52) **U.S. Cl.**  
USPC ..... **D21/759**

(58) **Field of Classification Search**

USPC ..... D21/736-746, 759, 789, 791;  
473/324-331, 251-256, 340-341, 226,  
473/235-236

See application file for complete search history.

(56) **References Cited**

**U.S. PATENT DOCUMENTS**

D471,611 S \* 3/2003 Smith ..... D21/791  
6,702,688 B2 \* 3/2004 Hale ..... 473/226  
D602,547 S \* 10/2009 Fellows et al. .... D21/759  
D604,787 S \* 11/2009 Hopkins ..... D21/791

D631,523 S \* 1/2011 Pingalore ..... D21/789  
D659,213 S \* 5/2012 Schultz ..... D21/759  
D667,070 S \* 9/2012 Balyeat ..... D21/791

\* cited by examiner

*Primary Examiner* — Mitchell Siegel

(74) *Attorney, Agent, or Firm* — Dennemeyer & Associates, LLC

(57) **CLAIM**

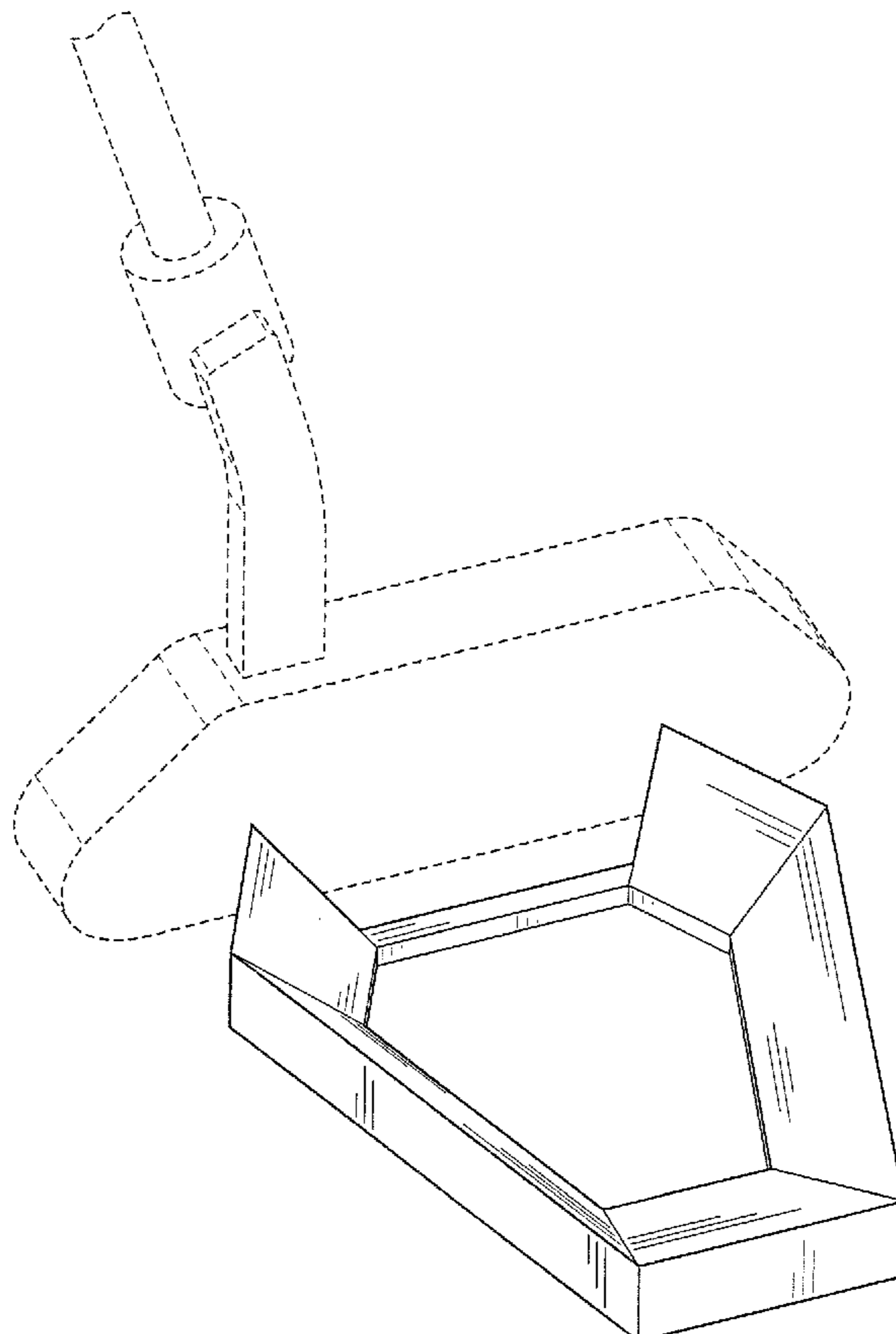
The ornamental design for a golf club head, as shown and described in the accompanying drawings.

**DESCRIPTION**

FIG. 1 is a perspective view of the golf club head;  
FIG. 2 is a right side view of the golf club head;  
FIG. 3 is a left side view of the golf club head (the left side view is unadorned);  
FIG. 4 is a rear view of the golf club head;  
FIG. 5 is a front view of the golf club head;  
FIG. 6 is a top view of the golf club head; and,  
FIG. 7 is a bottom view of the golf club head.

The broken line showing depicts environmental subject matter only and forms no part of the claimed design.

**1 Claim, 4 Drawing Sheets**



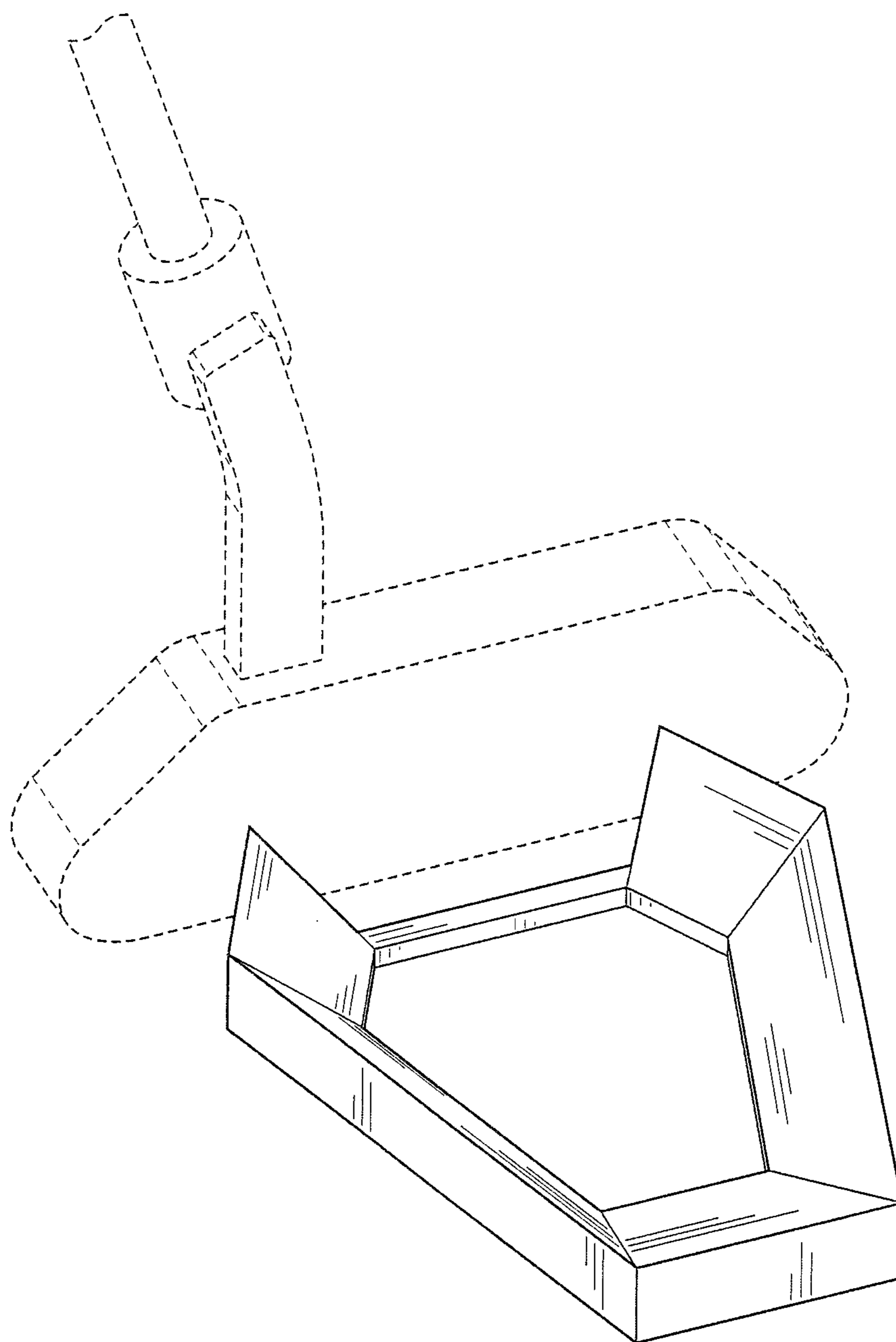


FIG. 1

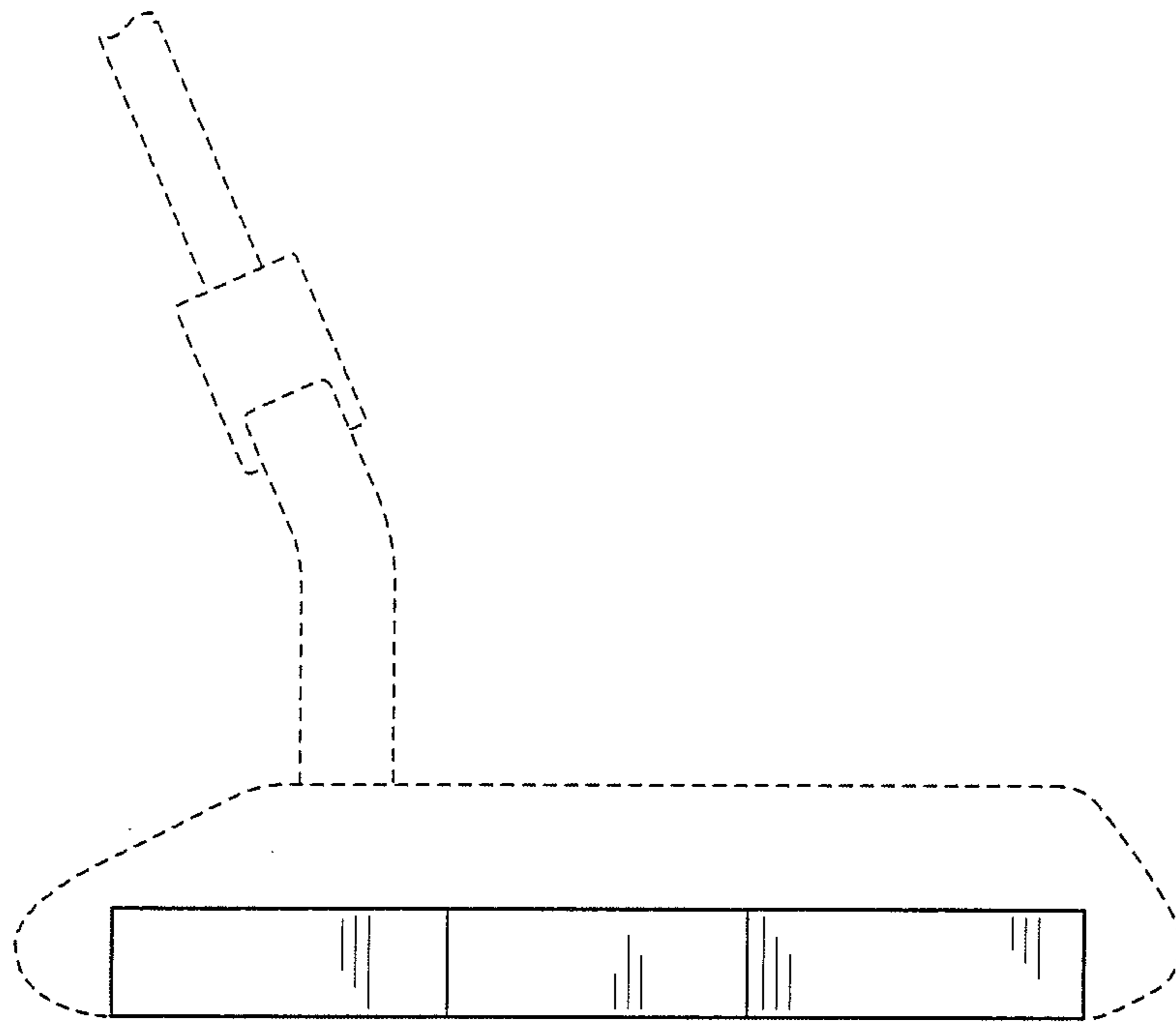


FIG. 2

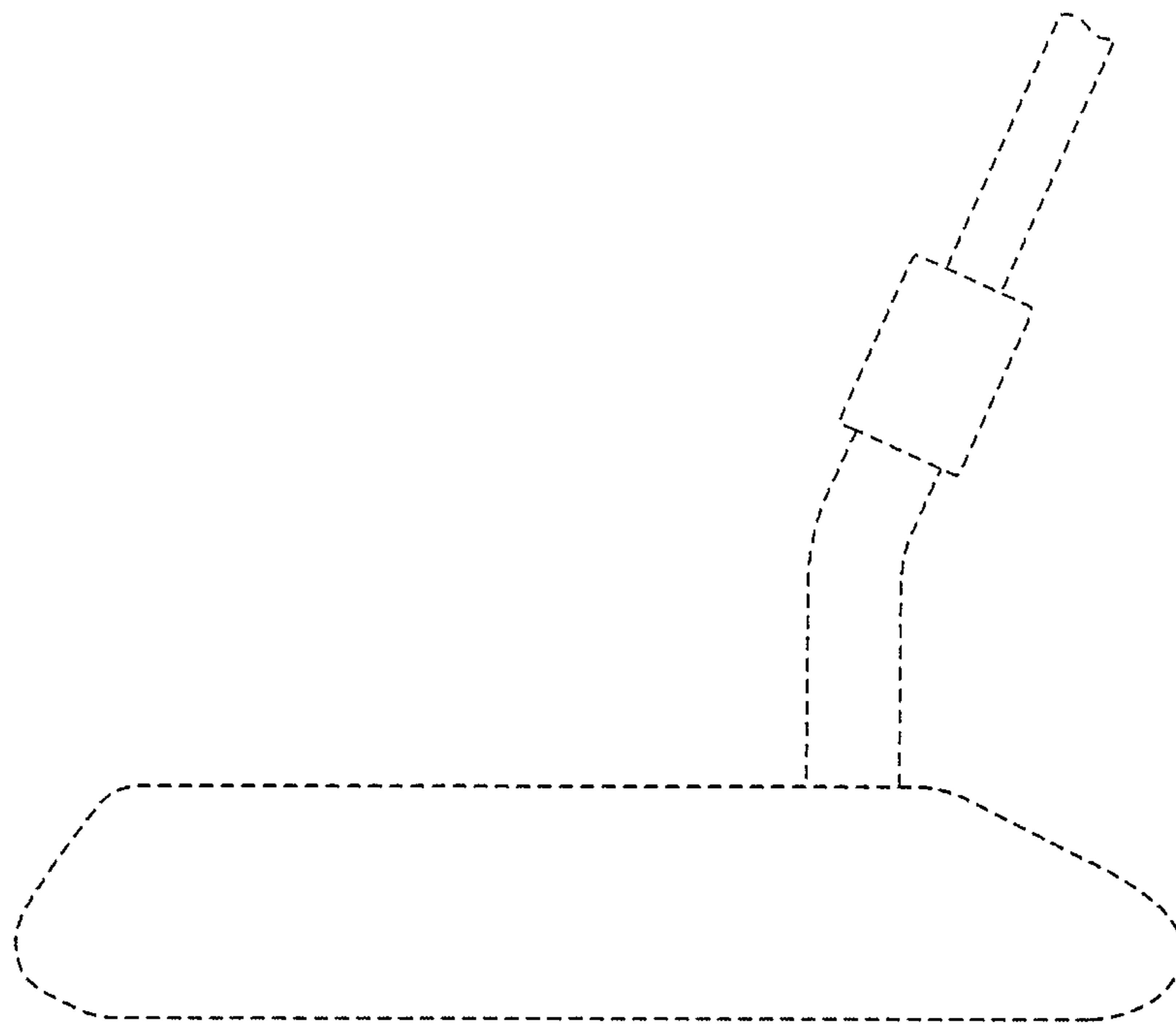


FIG. 3

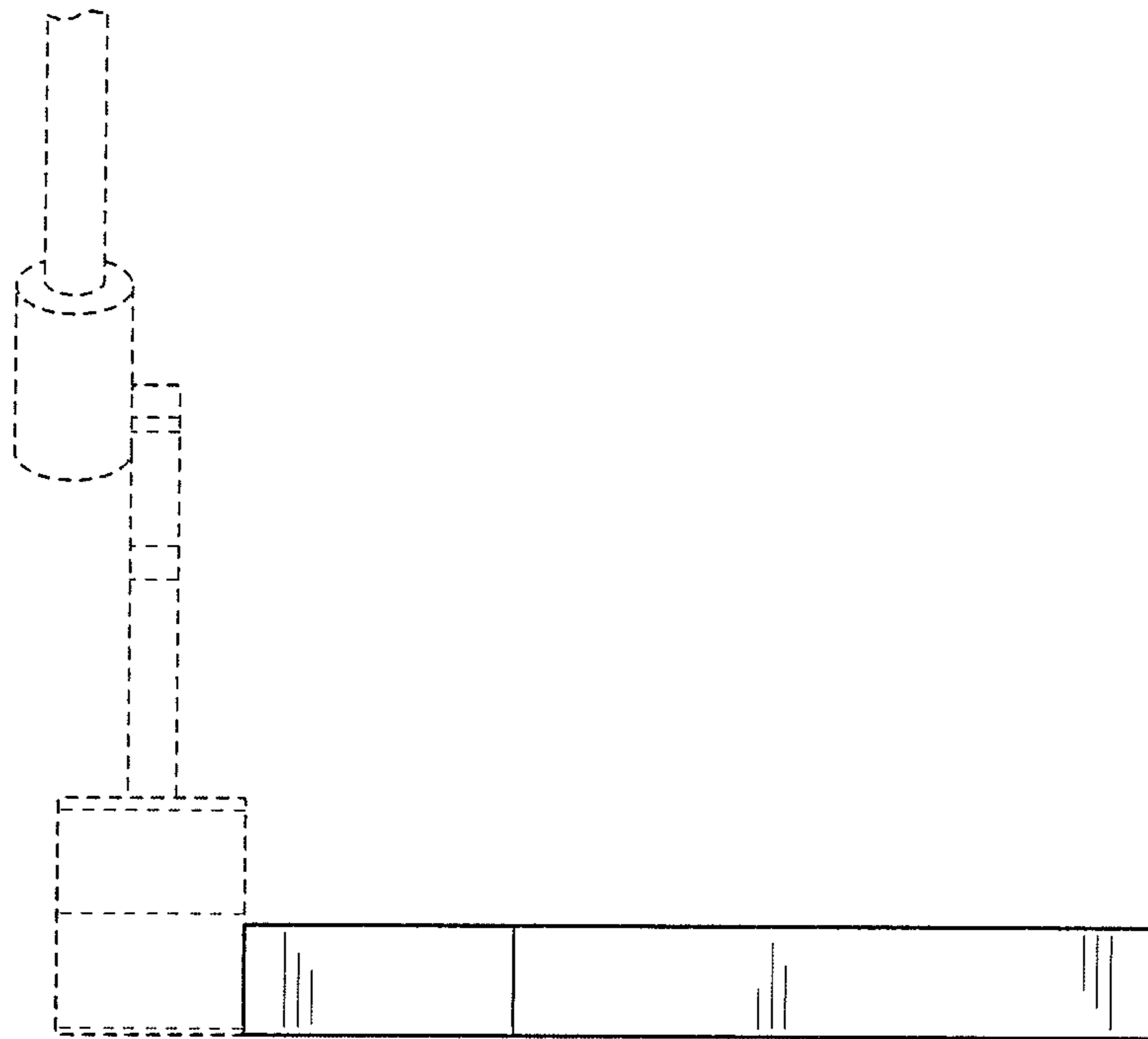


FIG. 4

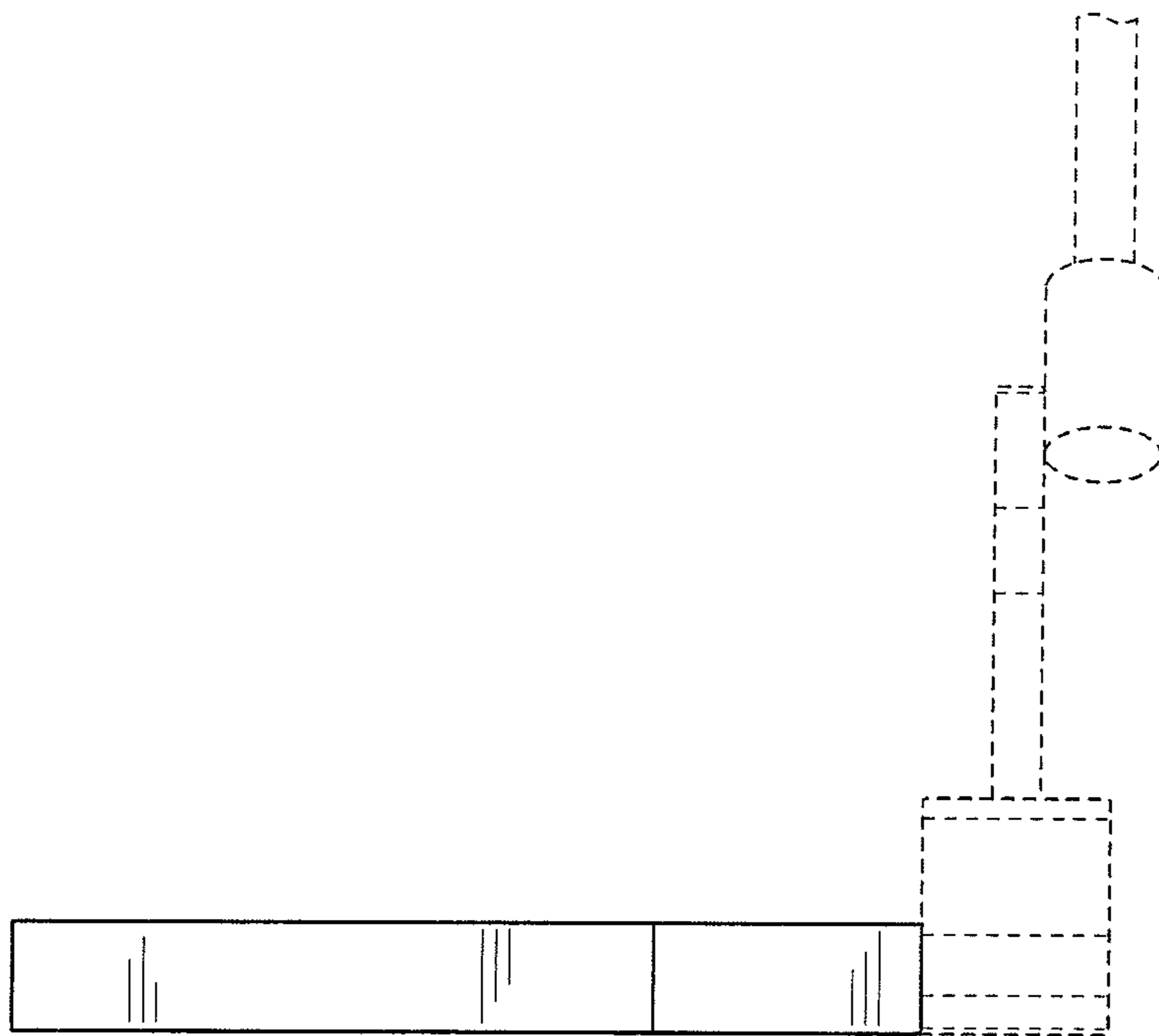


FIG. 5

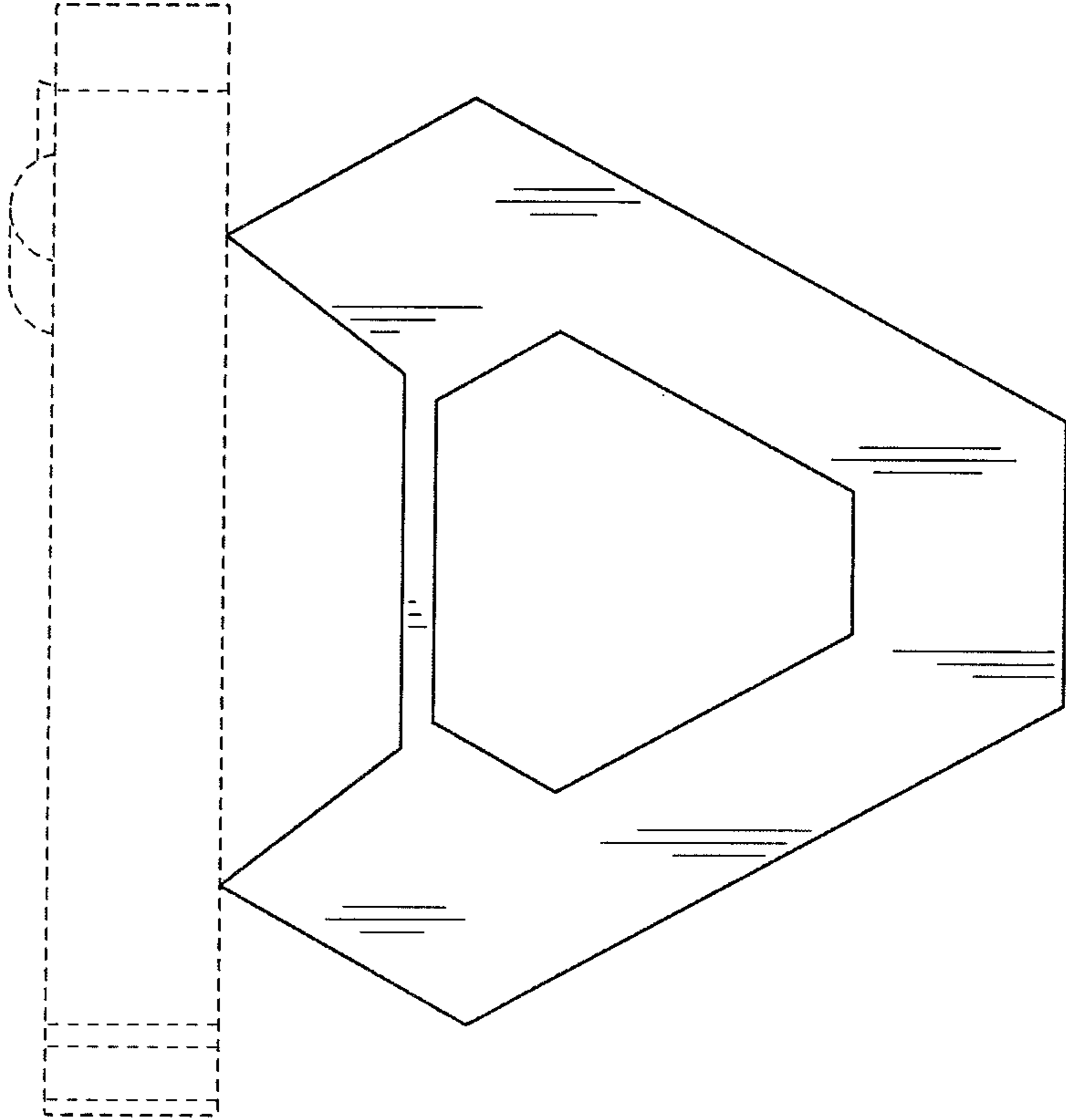


FIG. 6

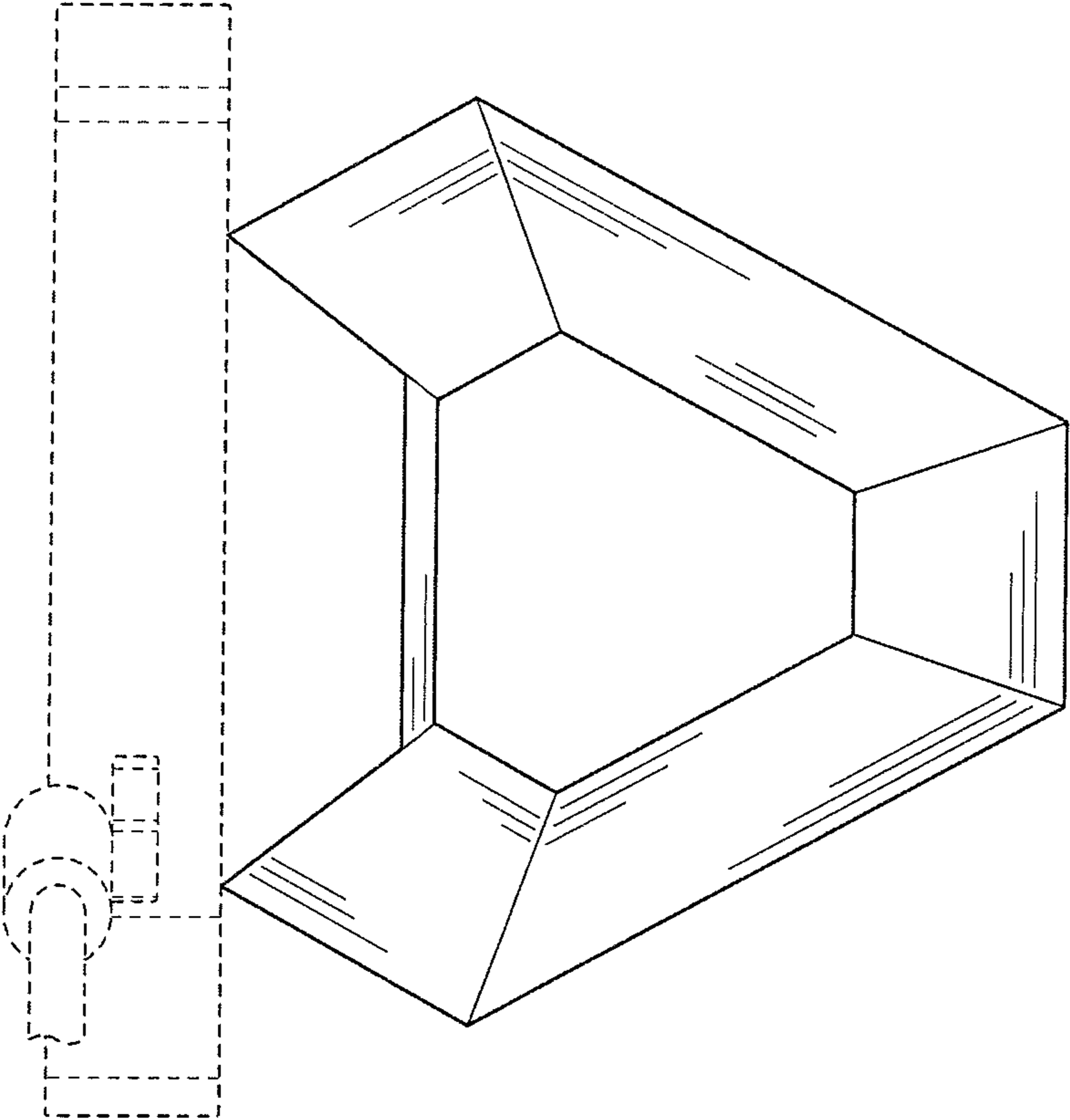


FIG. 7