



US00D693886S

(12) **United States Design Patent**  
**Blumenthal**

(10) **Patent No.:** **US D693,886 S**

(45) **Date of Patent:** **\*\* Nov. 19, 2013**

(54) **TOY WAGON**

(75) Inventor: **Martin Blumenthal**, Chatham, NJ (US)

(73) Assignee: **Jakks Pacific, Inc.**, Malibu, CA (US)

(\*\*) Term: **14 Years**

(21) Appl. No.: **29/382,462**

(22) Filed: **Jan. 4, 2011**

(51) **LOC (9) Cl.** ..... **21-01**

(52) **U.S. Cl.**  
USPC ..... **D21/425**; D21/431; D21/433

(58) **Field of Classification Search**  
USPC ..... D21/419, 424–427, 431, 434, 534–536,  
D21/540, 554, 556, 559; D12/17, 19, 20,  
D12/102, 105, 129, 133; D34/12;  
280/87.01, 87.021, 87.043, 47.17,  
280/47.25, 47.26, 47.34, 47.38, 47.4, 204,  
280/639, 651; D3/371.12; D6/336; D15/28  
See application file for complete search history.

D327,101	S	*	6/1992	Halter et al.	.....	D21/425
5,249,823	A		10/1993	McCoy et al.		
5,360,222	A		11/1994	Bro et al.		
5,383,808	A	*	1/1995	DuBois	.....	446/428
D365,313	S	*	12/1995	Mosetich et al.	.....	D12/129
D366,071	S	*	1/1996	Harrod	.....	D21/431
D388,843	S	*	1/1998	McDaniel	.....	D21/556
D419,619	S	*	1/2000	Wei	.....	D21/556
6,155,902	A		12/2000	Kole, Jr. et al.		
D436,387	S		1/2001	Pardi		
6,412,787	B1		7/2002	Pardi et al.		
D527,508	S		8/2006	Monteith et al.		
D567,885	S	*	4/2008	Amadio et al.	.....	D21/559
D569,449	S	*	5/2008	Chung	.....	D21/431
D601,207	S	*	9/2009	Chung	.....	D21/434

\* cited by examiner

*Primary Examiner* — Cynthia M Chin

(74) *Attorney, Agent, or Firm* — Lerner, David, Littenberg,  
Krumholz & Mentlik, LLP

(57) **CLAIM**

The ornamental design for a toy wagon, as shown and described.

(56) **References Cited**

U.S. PATENT DOCUMENTS

91,398	A	6/1869	Wirtz		
1,509,181	A	9/1924	Sherwood		
D138,193	S	7/1944	Duffy		
D190,288	S	5/1961	Monax		
D227,282	S	*	6/1973	Schreckengost	..... D21/434
D248,119	S	*	6/1978	Nix et al.	..... D21/559
D257,368	S	*	10/1980	Breneman	..... D21/562
D258,974	S	*	4/1981	Samuels	..... D21/556
D271,315	S	*	11/1983	Nottingham et al.	..... D21/431
D293,342	S	*	12/1987	Thomson et al.	..... D21/556
4,744,575	A	5/1988	Tonelli		
D305,555	S	*	1/1990	Spielberger	..... D21/554
D308,552	S	*	6/1990	Klawitter	..... D21/425
D308,556	S	*	6/1990	Klawitter	..... D21/425

**DESCRIPTION**

FIG. 1 is a perspective view of a toy wagon showing my new design;  
FIG. 2 is a front elevational view thereof;  
FIG. 3 is a rear elevational view thereof;  
FIG. 4 is a right side elevational view thereof, the left side elevational view being a mirror image;  
FIG. 5 is a top plan view thereof; and,  
FIG. 6 is a bottom plan view thereof.  
The broken lines shown are included for the purpose of illustrating the unclaimed portions of the article and form no part of the claimed design.

**1 Claim, 5 Drawing Sheets**

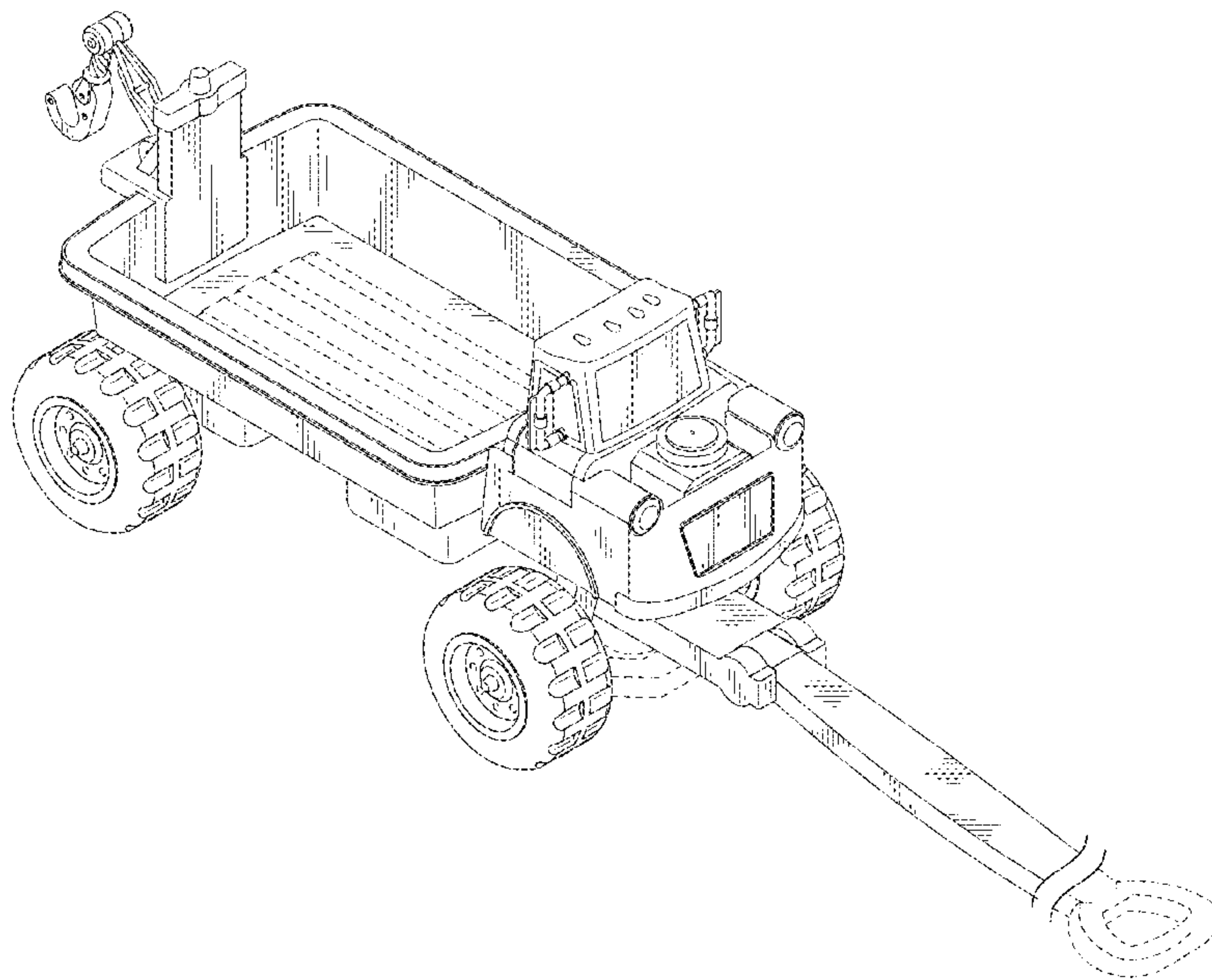


FIG. 1

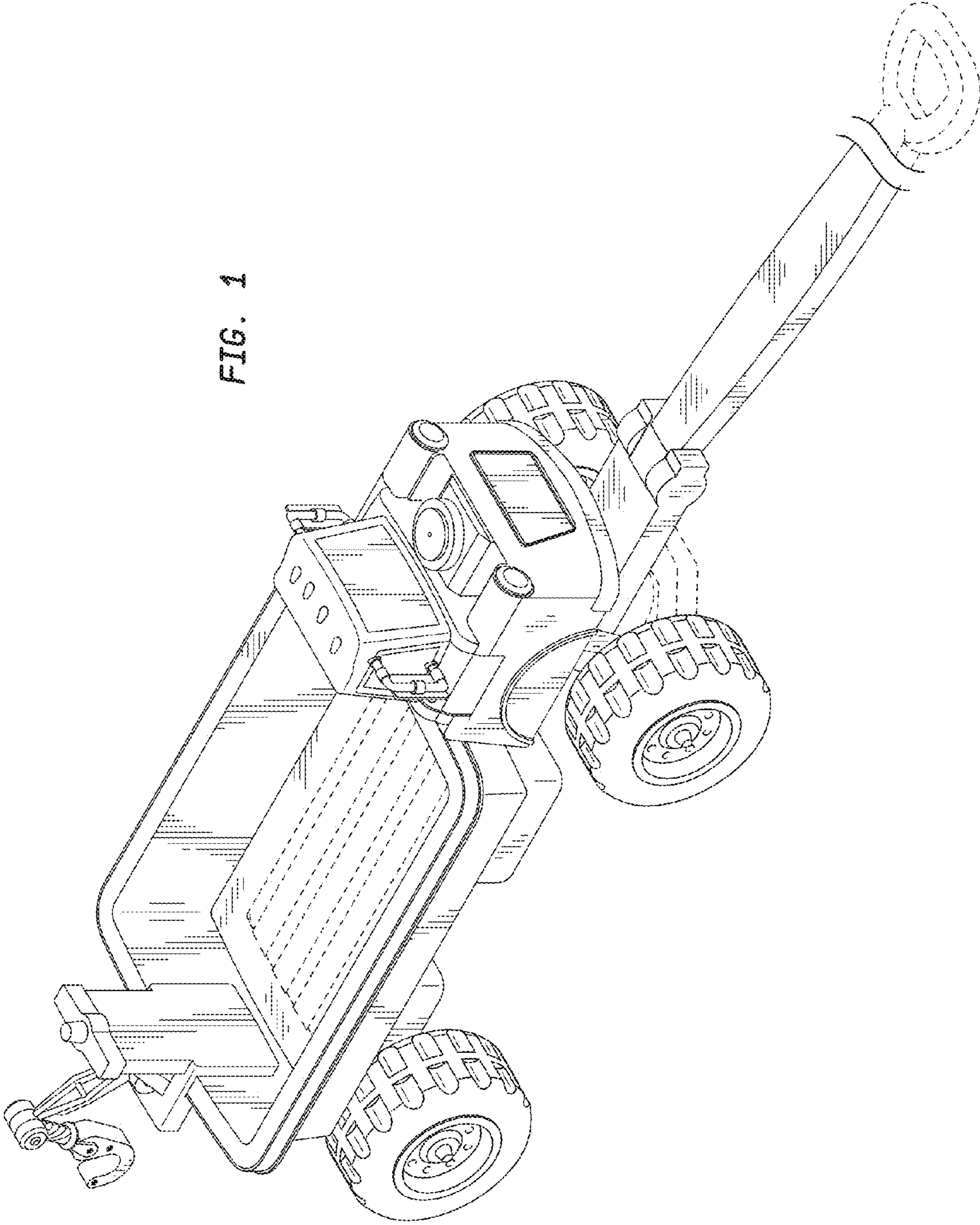


FIG. 2

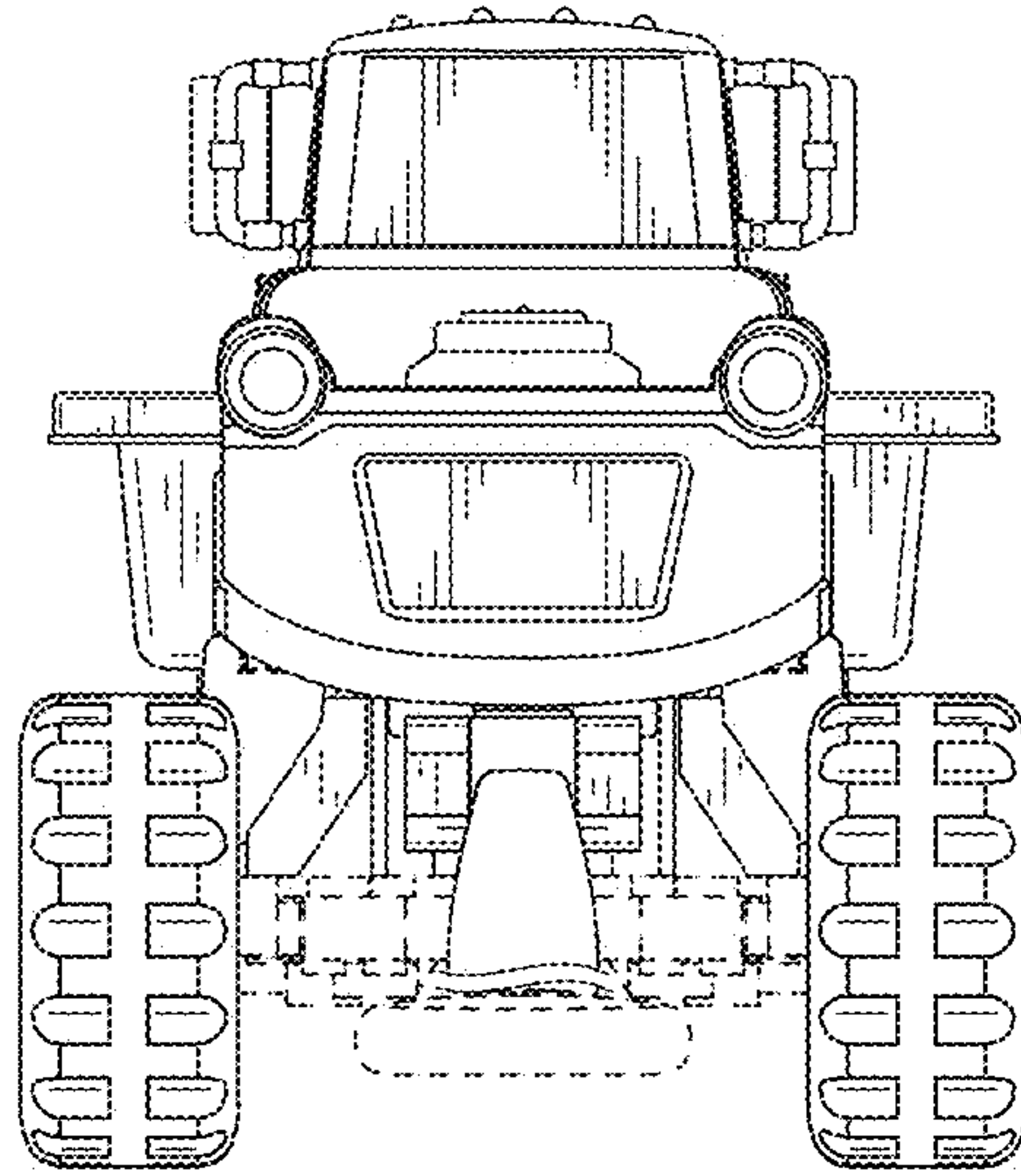


FIG. 3

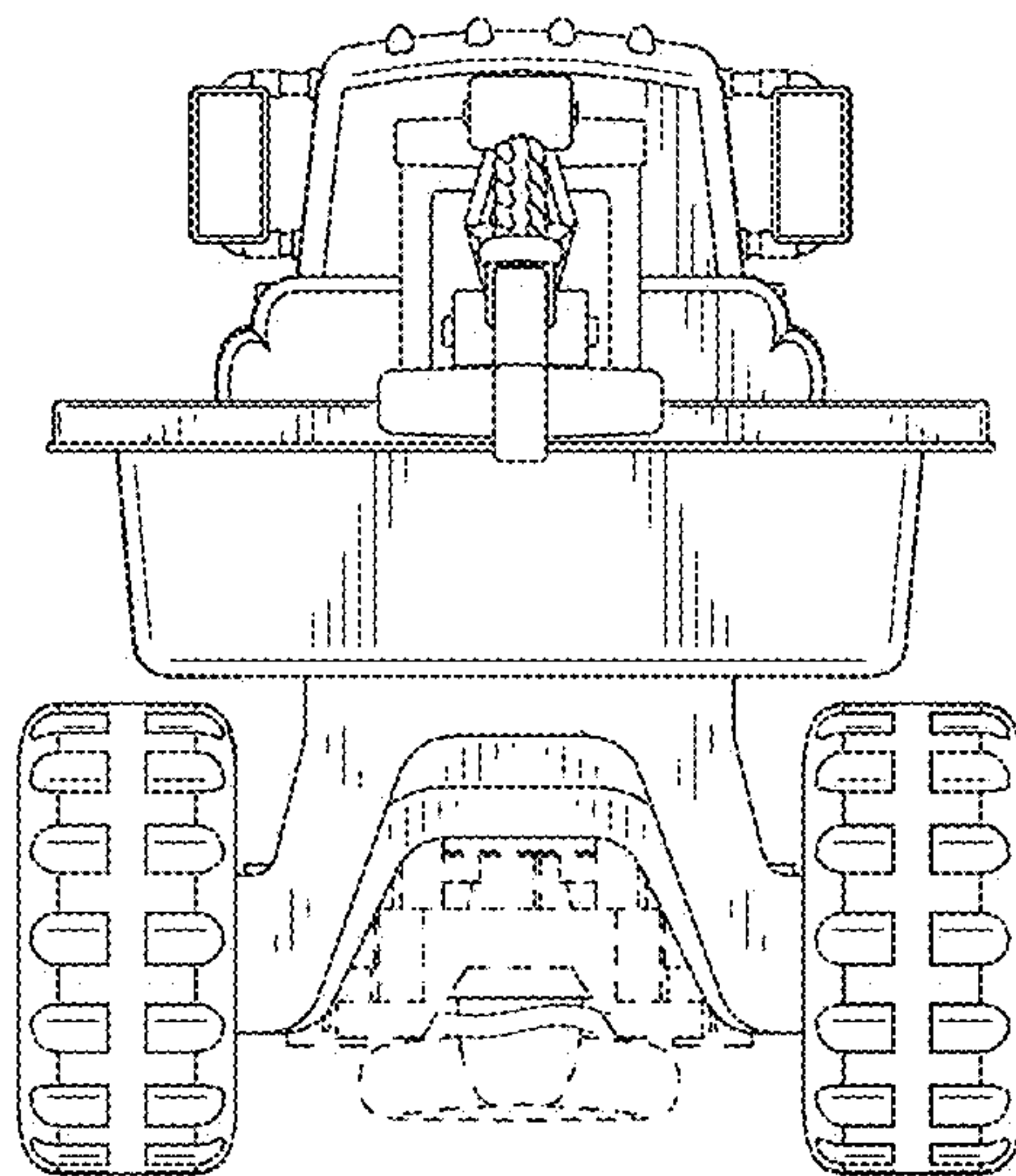




FIG. 4

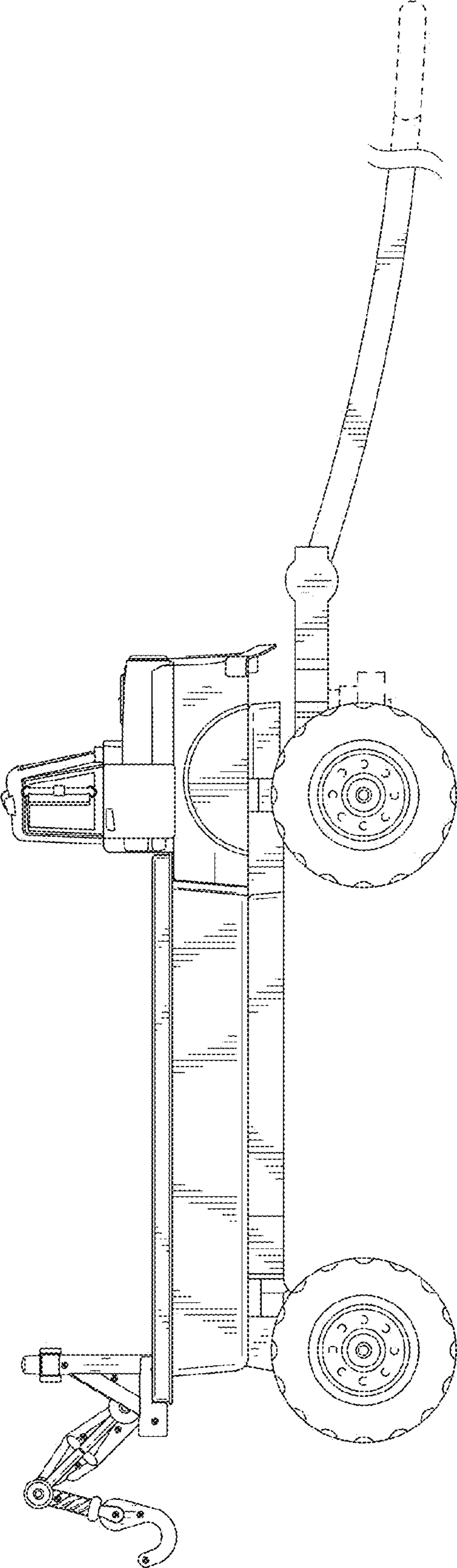


FIG. 5

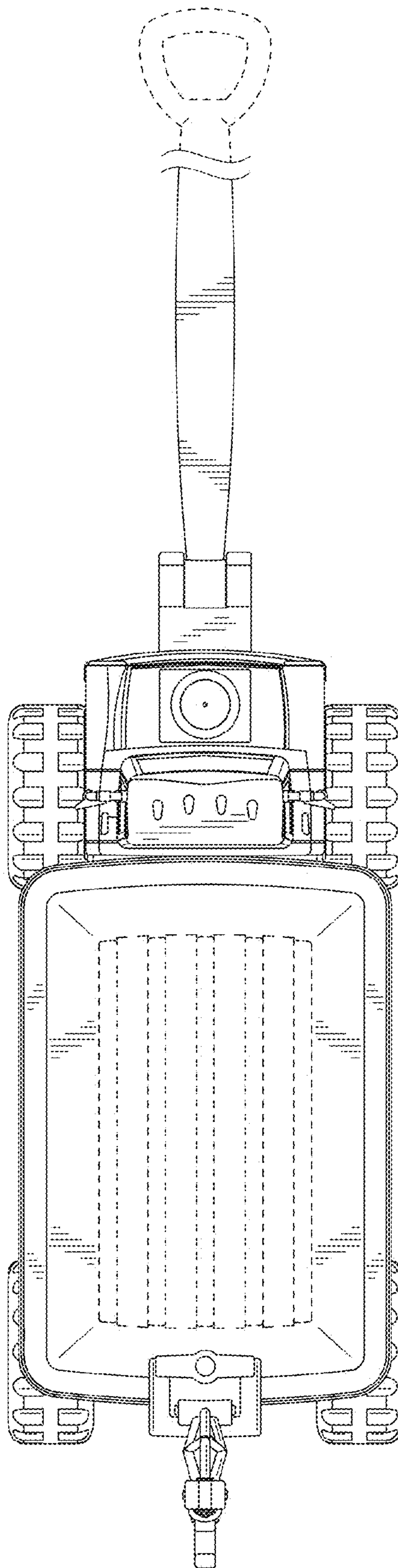


FIG. 6

