



US00D693883S

(12) **United States Design Patent**
Wilson, Jr.

(10) **Patent No.:** **US D693,883 S**
(45) **Date of Patent:** **** Nov. 19, 2013**

(54) **TOSS GAME**

(76) Inventor: **Stancil W. Wilson, Jr.**, High Point, NC
(US)

(**) Term: **14 Years**

(21) Appl. No.: **29/420,317**

(22) Filed: **May 8, 2012**

(51) **LOC (9) Cl.** **21-01**

(52) **U.S. Cl.**
USPC **D21/303**

(58) **Field of Classification Search**
USPC D21/330-303, 385, 386, 390; 273/348,
273/398-402, 407, 127 R, 348.4, 348.5,
273/239, 241, 149 R; 473/569, 587, 588,
473/593, 594
See application file for complete search history.

(56) **References Cited**

U.S. PATENT DOCUMENTS

- 2,313,473 A * 3/1943 Heacock et al. 273/241
- 3,107,096 A * 10/1963 Osborn 273/149 R
- D226,570 S * 3/1973 Neece D21/335
- 3,749,401 A * 7/1973 Hayko 273/389
- 3,781,013 A * 12/1973 Von Meyer 273/239
- 4,155,198 A * 5/1979 Kelley 47/84
- 4,331,335 A * 5/1982 Starkweather 273/348.3
- D265,408 S * 7/1982 Ericson D21/344
- D325,938 S * 5/1992 Stuhr D21/344

- D333,492 S * 2/1993 Paredes D21/303
- 5,318,307 A * 6/1994 Bouchard et al. 273/348.4
- 5,342,057 A * 8/1994 Sorkoram 273/239
- D646,334 S * 10/2011 Ingram D21/303

* cited by examiner

Primary Examiner — Prabhakar Deshmukh

(74) *Attorney, Agent, or Firm* — NK Patent Law, PLLC

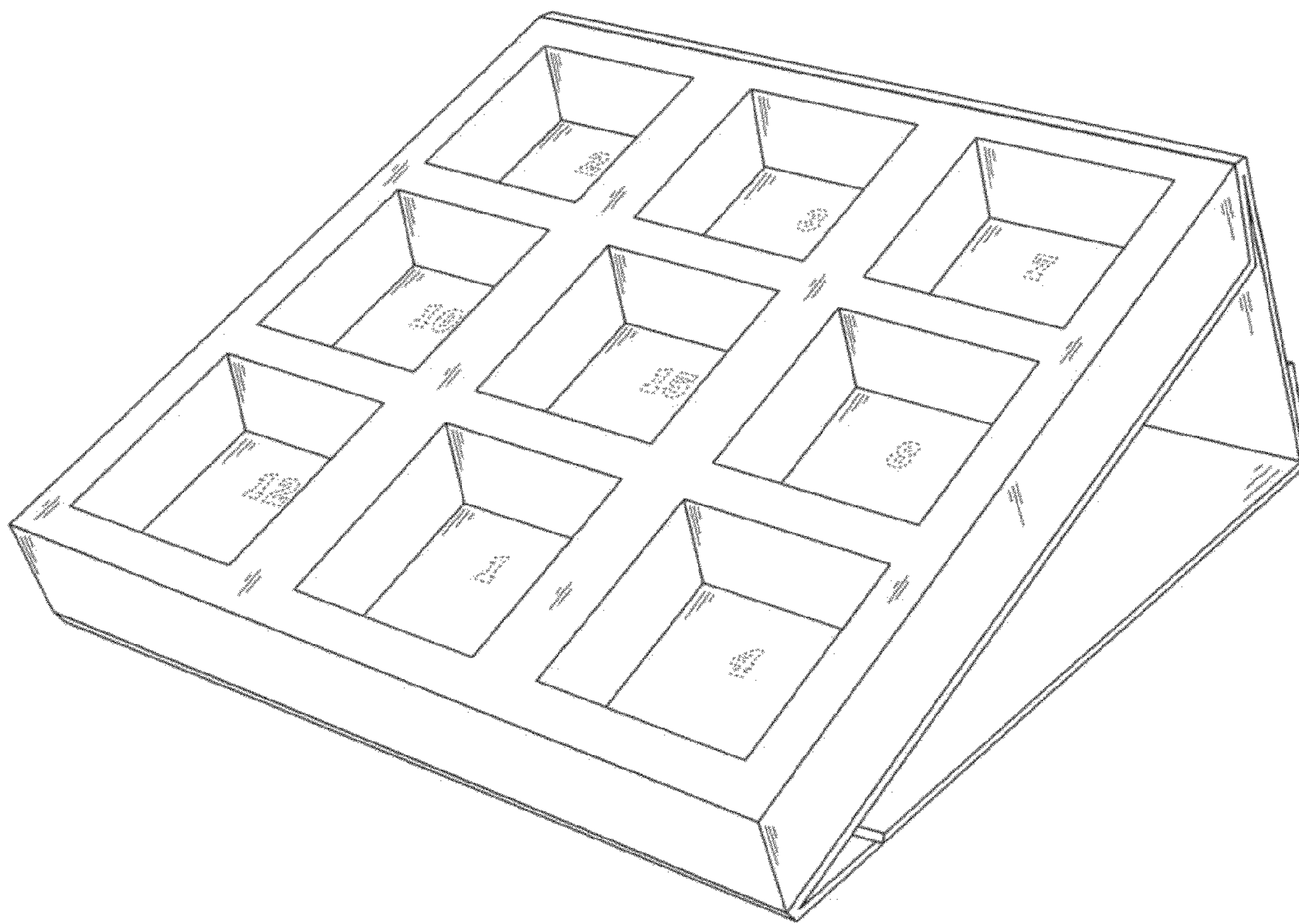
(57) **CLAIM**

The ornamental design for a toss game, as shown and described.

DESCRIPTION

FIG. 1 is a perspective view of a toss game showing my new design;
 FIG. 2 is a side view thereof, the opposite side being a mirror image thereof;
 FIG. 3 is a top plan view thereof;
 FIG. 4 is a rear elevational view thereof;
 FIG. 5 is a perspective view with the toss game shown in folded condition;
 FIG. 6 is a rear elevational view of FIG. 5;
 FIG. 7 is a front elevational view of FIG. 5;
 FIG. 8 is a top plan view of FIG. 5;
 FIG. 9 is a perspective view with the toss game shown in an alternate condition; and,
 FIG. 10 is another perspective view thereof.

1 Claim, 8 Drawing Sheets



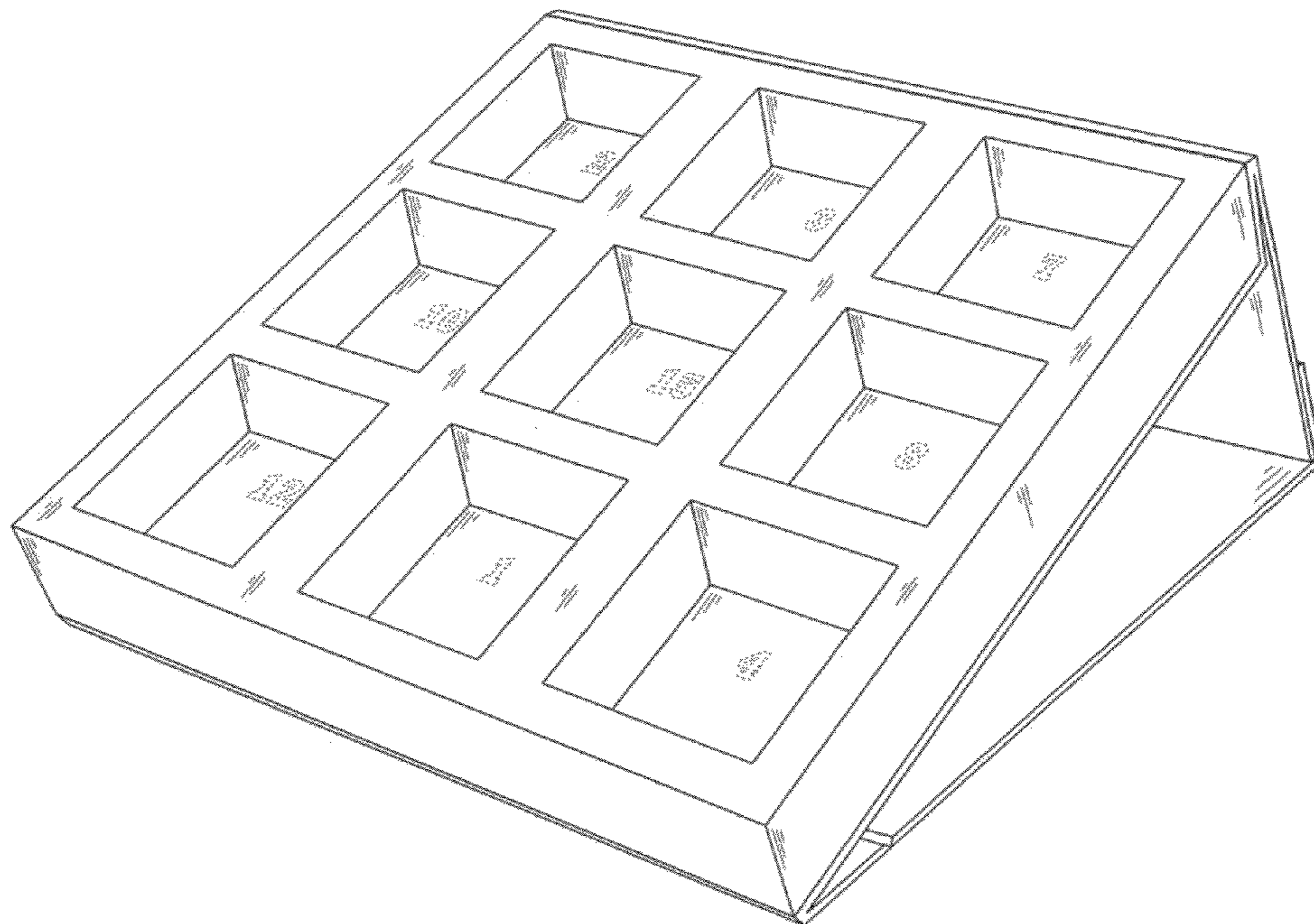


FIG. 1

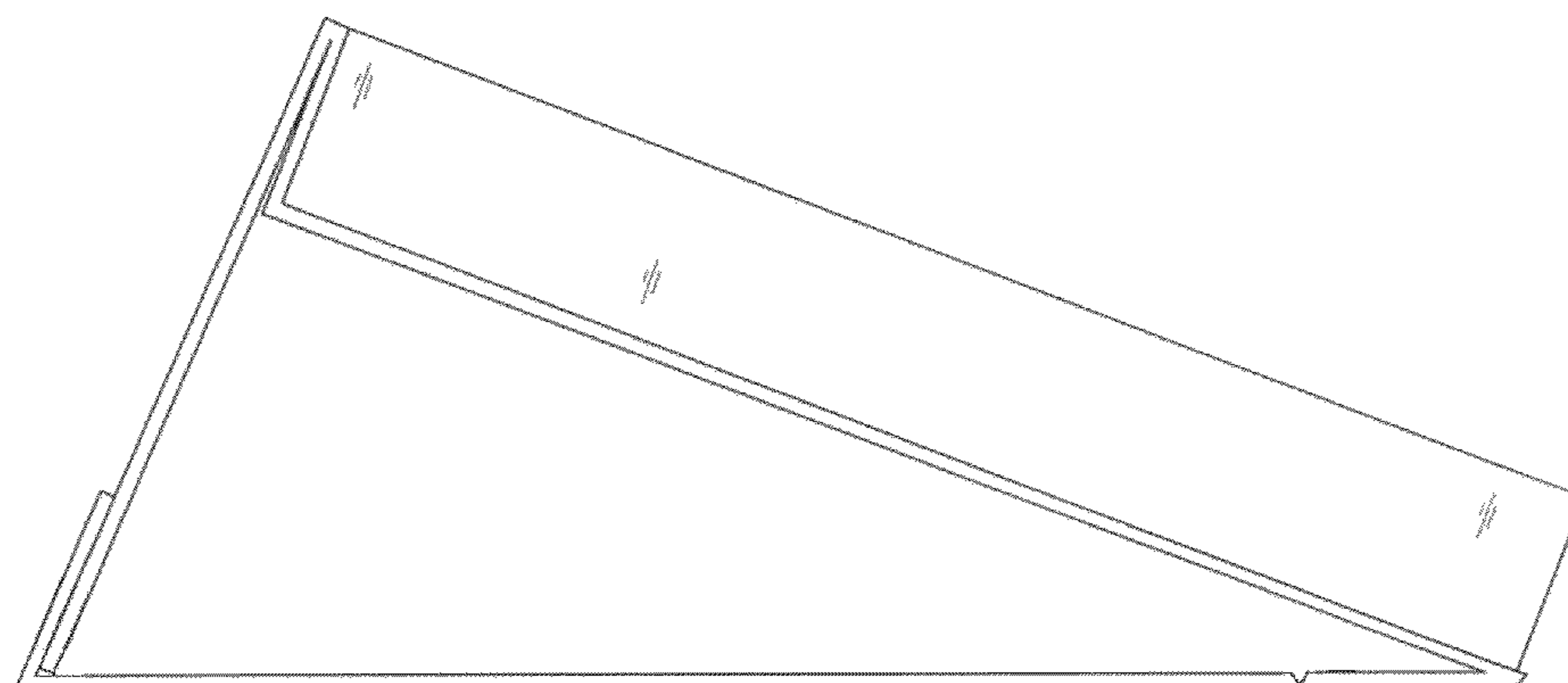


FIG. 2

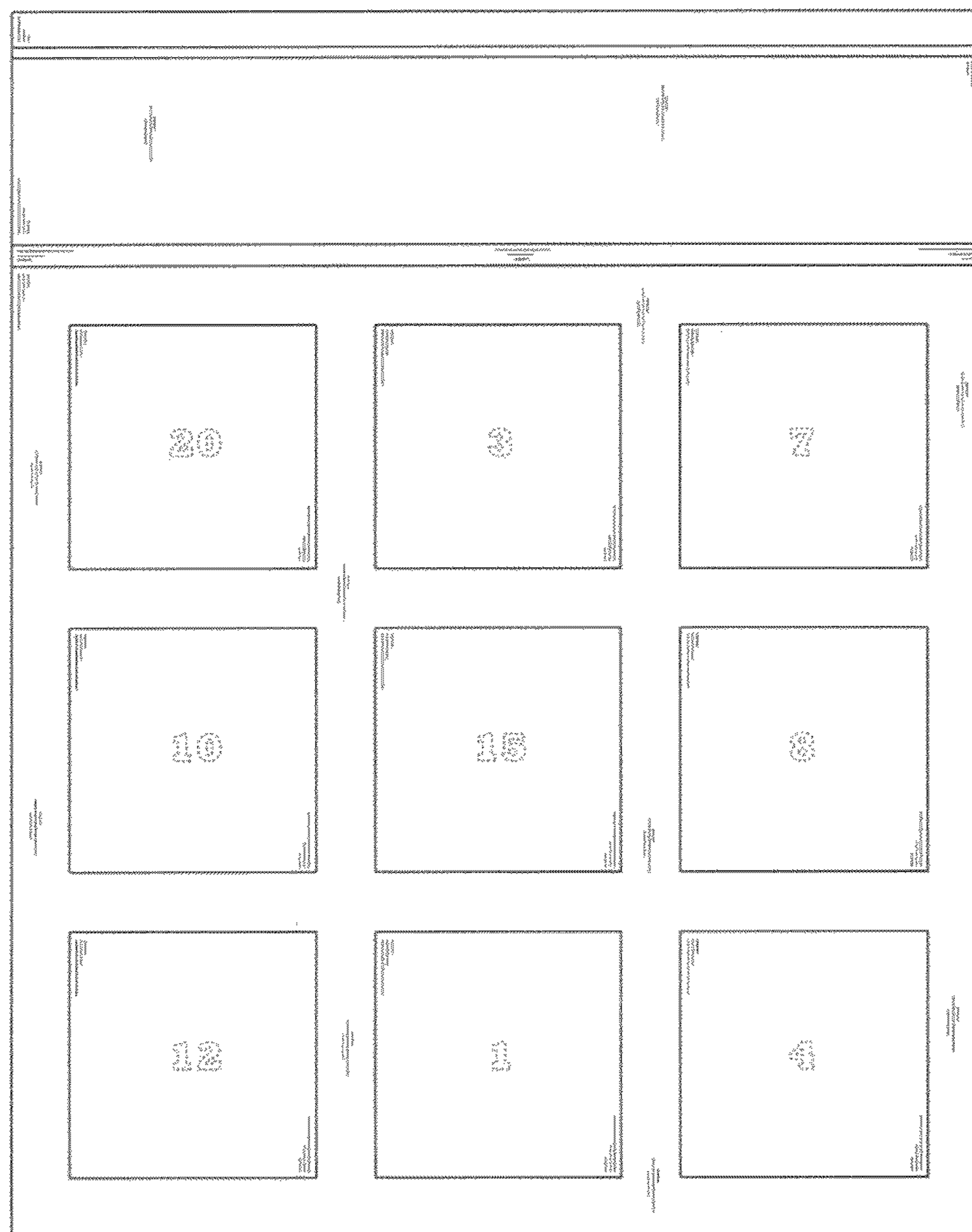


FIG. 3

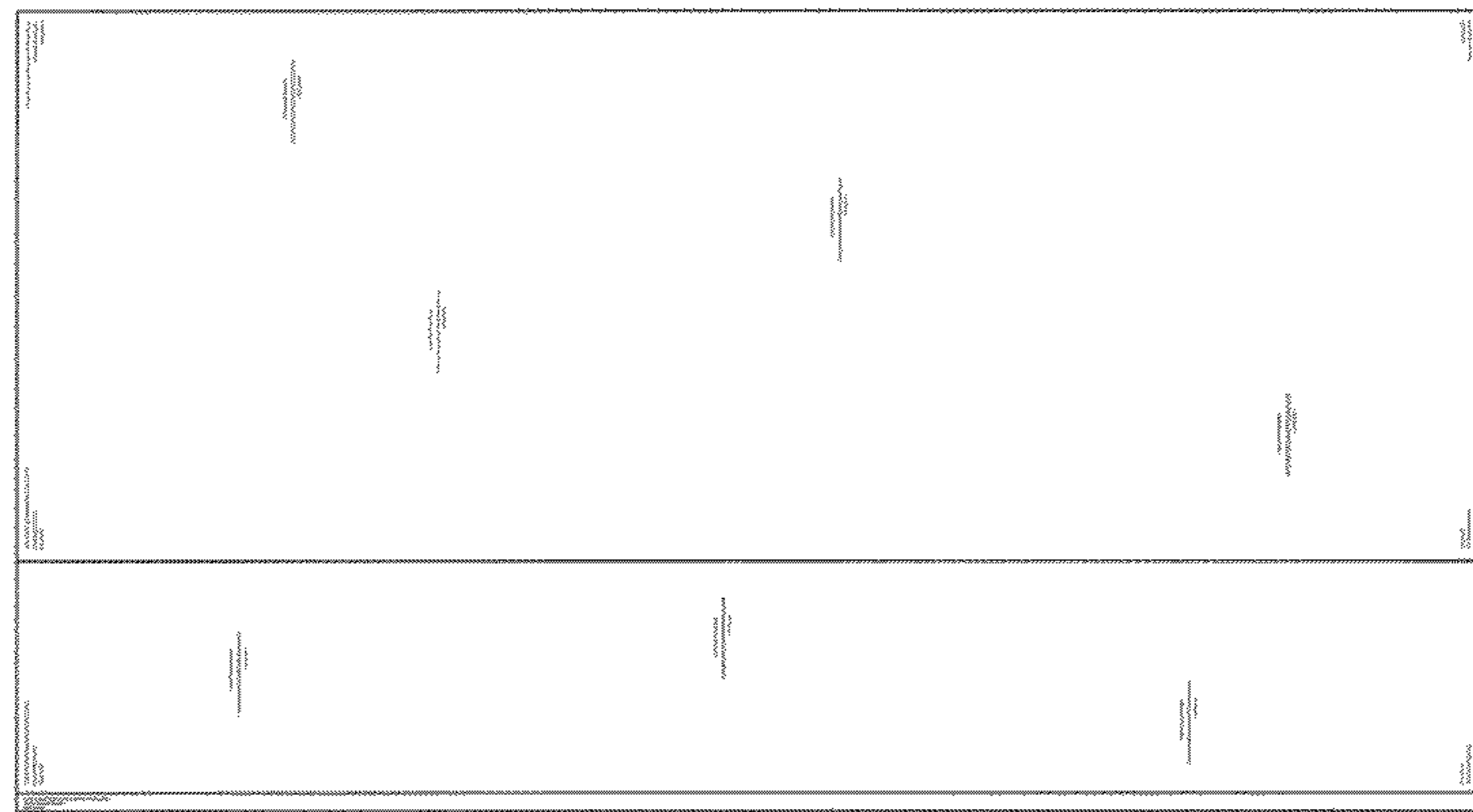


FIG. 4

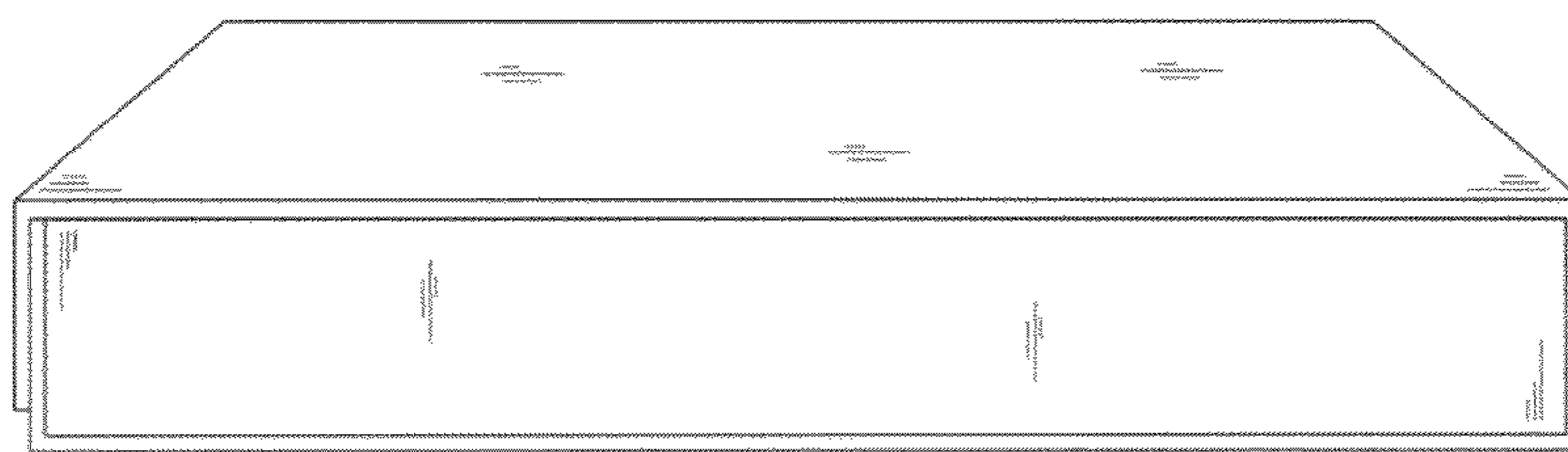


FIG. 5

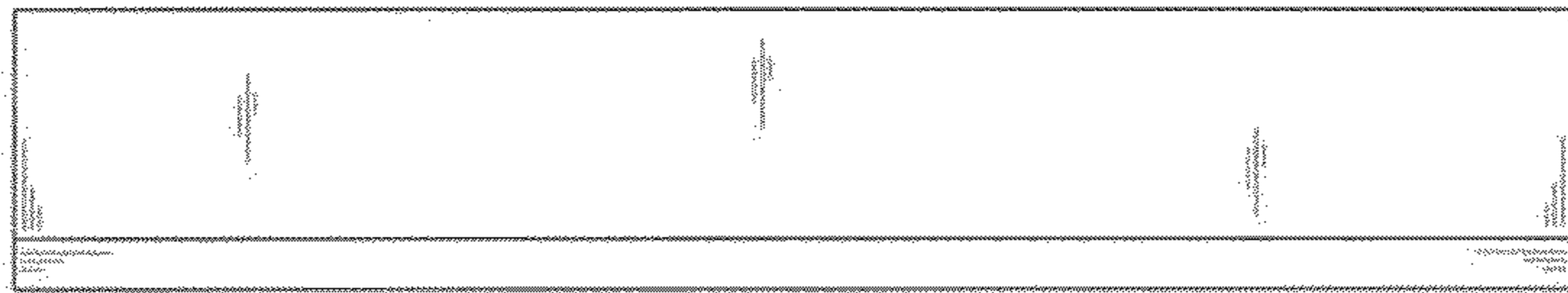


FIG. 6

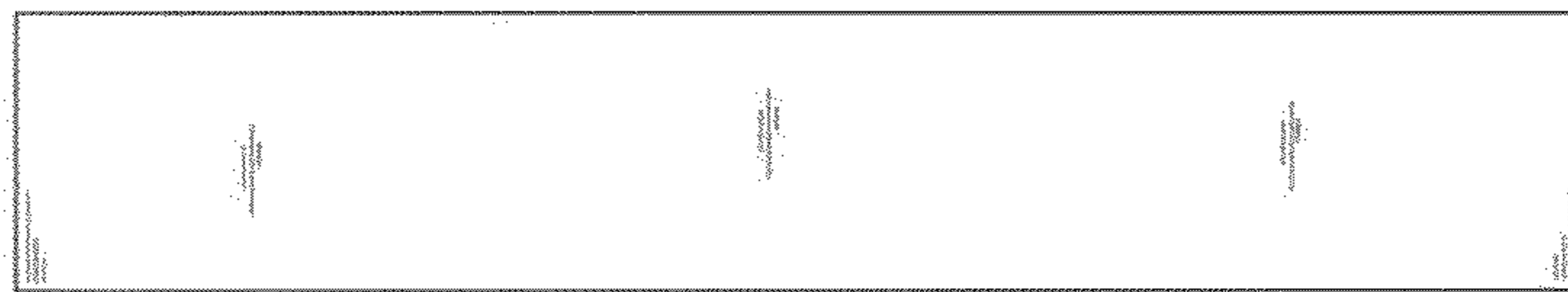


FIG. 7

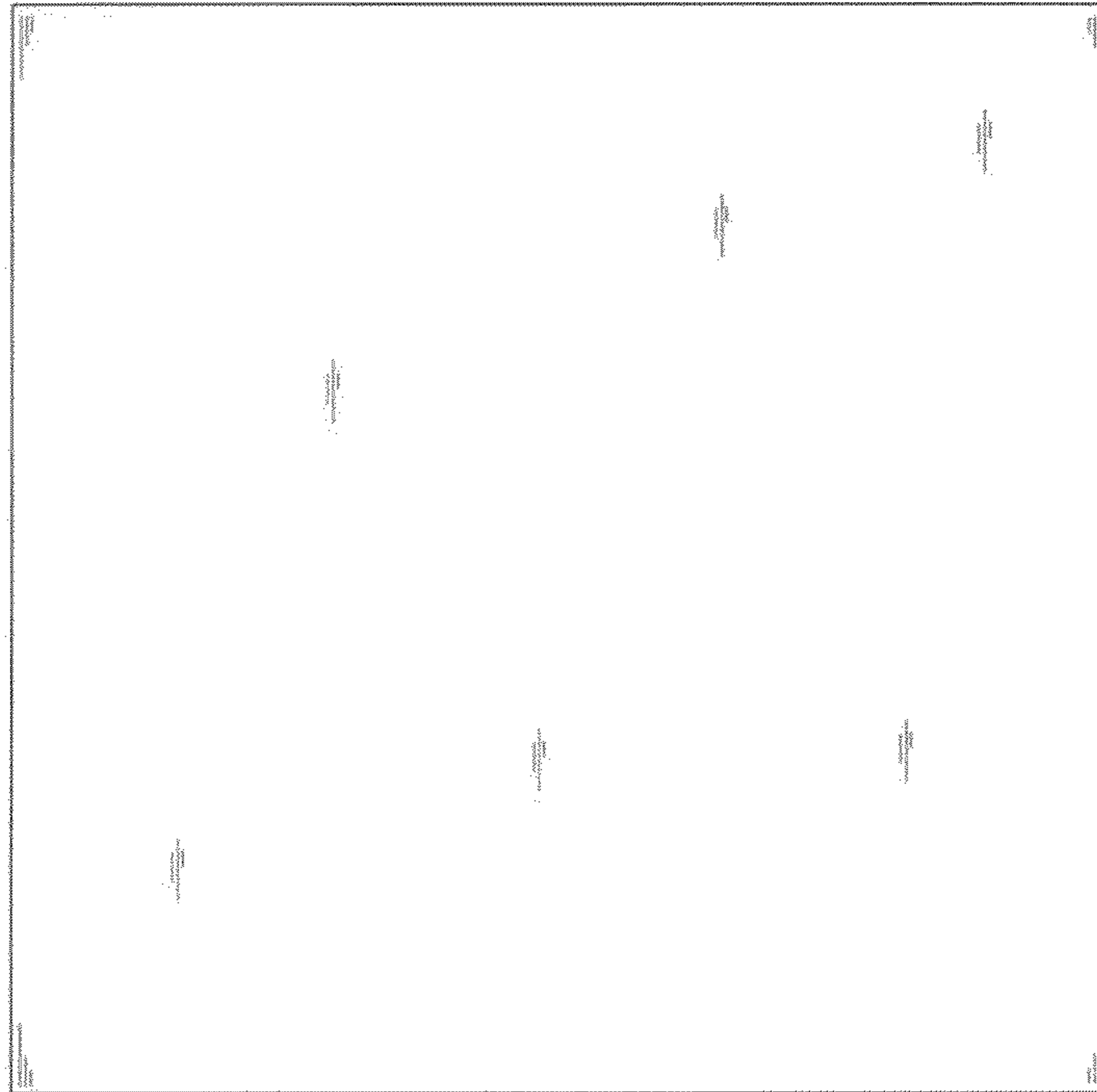


FIG. 8

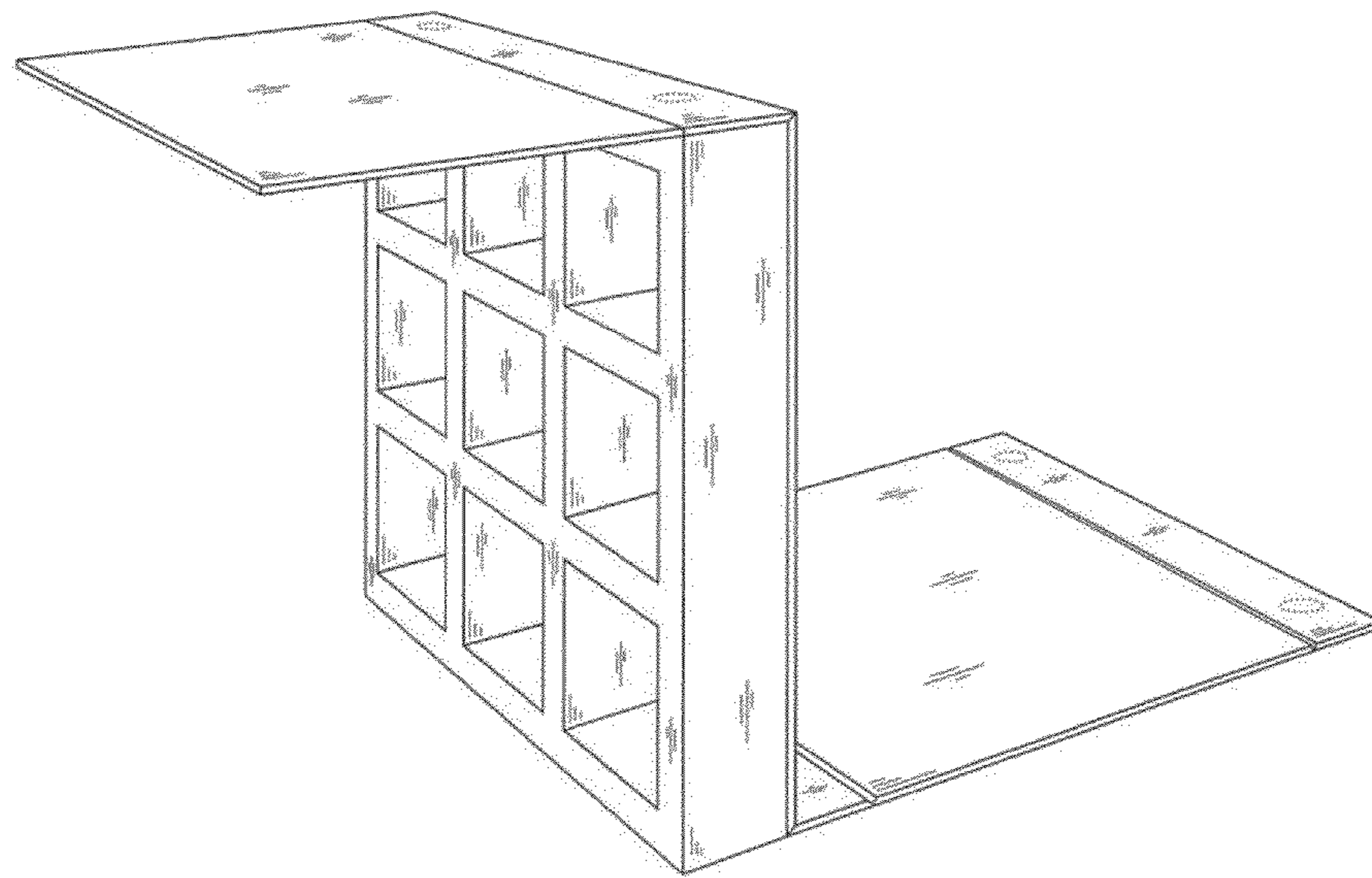


FIG. 9

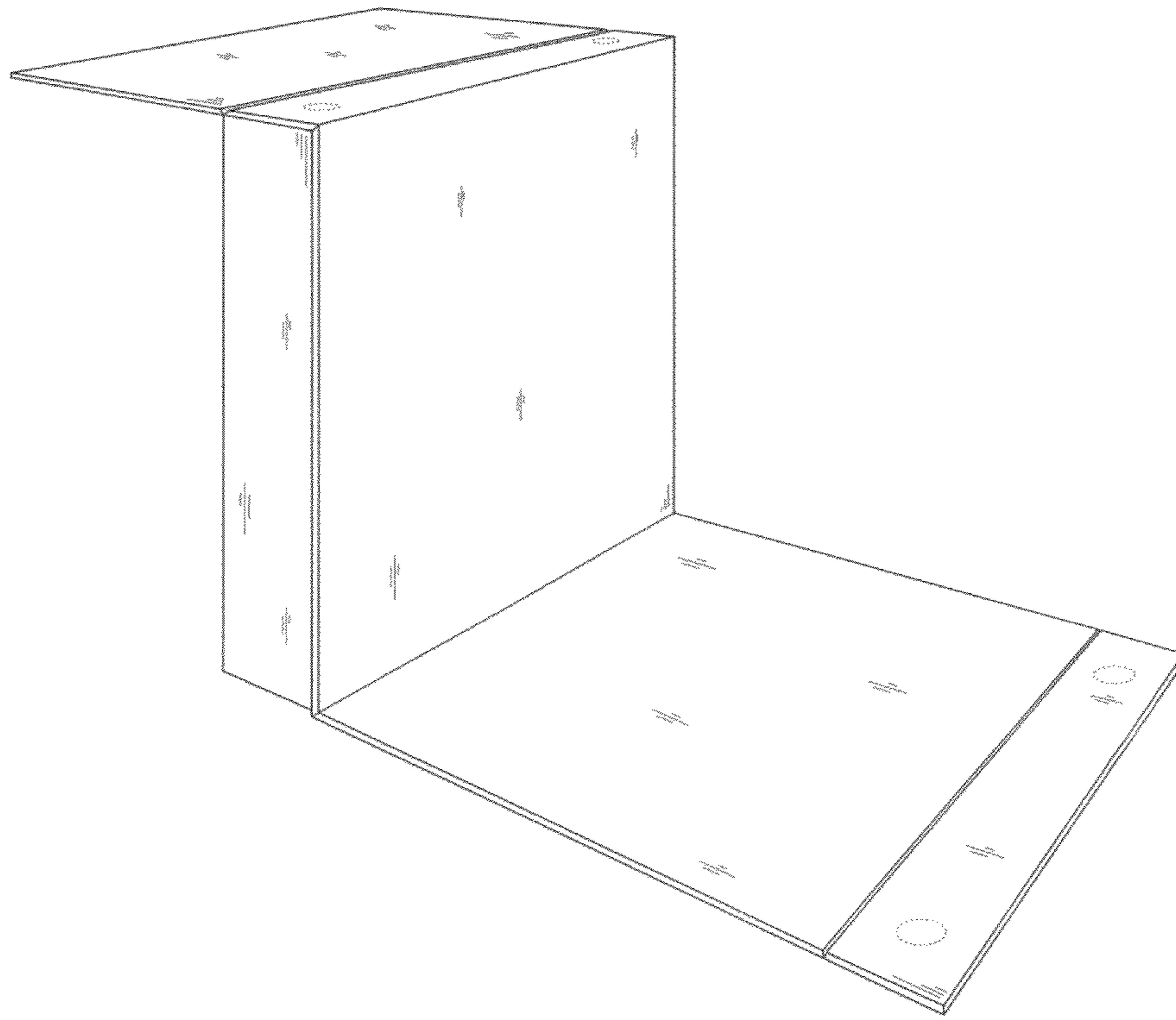


FIG. 10