



US00D693877S

(12) **United States Design Patent**
Lv

(10) **Patent No.:** **US D693,877 S**

(45) **Date of Patent:** **** Nov. 19, 2013**

(54) **PEN**

(75) Inventor: **Xilv Lv**, Ningbo (CN)

(73) Assignee: **Beifa Group Co., Ltd.**, Ningbo (CN)

(**) Term: **14 Years**

(21) Appl. No.: **29/425,950**

(22) Filed: **Jun. 28, 2012**

(30) **Foreign Application Priority Data**

Dec. 29, 2011 (CN) 2011 3 0504325

(51) **LOC (9) Cl.** **19-06**

(52) **U.S. Cl.**
USPC **D19/43**

(58) **Field of Classification Search**
USPC D14/411; D19/35, 36, 41-51, 53-58;
24/11 F, 11 P, 11 R; 401/52, 99-109,
401/192, 195, 196

See application file for complete search history.

(56) **References Cited**

U.S. PATENT DOCUMENTS

D310,684 S *	9/1990	Itoh	D19/57
D317,625 S *	6/1991	Itoh	D19/57
D324,398 S *	3/1992	Herbst et al.	D19/57
D325,221 S *	4/1992	Ito	D19/57
D338,686 S *	8/1993	Ito	D19/57
D345,759 S *	4/1994	Poisson	D19/57
D355,442 S *	2/1995	Chuang	D19/53
D385,918 S *	11/1997	Katami	D19/57
D390,872 S	2/1998	Sunaga		
D404,426 S	1/1999	Takanashi		
D416,940 S *	11/1999	Ito	D19/48
D442,636 S *	5/2001	Kobayashi	D19/43
D444,499 S *	7/2001	Nakazawa	D19/49
D456,040 S *	4/2002	Moon	D19/43
D458,966 S	6/2002	Oka		
D473,898 S *	4/2003	Nakazawa	D19/43

D518,522 S	4/2006	Leibeck		
D530,747 S	10/2006	Leibeck		
D531,665 S	11/2006	Leibeck		
D544,541 S *	6/2007	Li	D19/43
D549,775 S	8/2007	Kent		
D552,686 S *	10/2007	Cetera	D19/56
D576,212 S	9/2008	Qiu		
D592,245 S *	5/2009	Yu et al.	D19/47

(Continued)

FOREIGN PATENT DOCUMENTS

EM 000903844-0011 A1 4/2008

OTHER PUBLICATIONS

Liang, W., "Pen," U.S. Appl. No. 29/405,745, filed Nov. 4, 2011.
Liang, W., "Pen," U.S. Appl. No. 29/405,747, filed Nov. 4, 2011.

(Continued)

Primary Examiner — Elizabeth Albert

(74) *Attorney, Agent, or Firm* — Christensen O'Connor Johnson Kindness PLLC

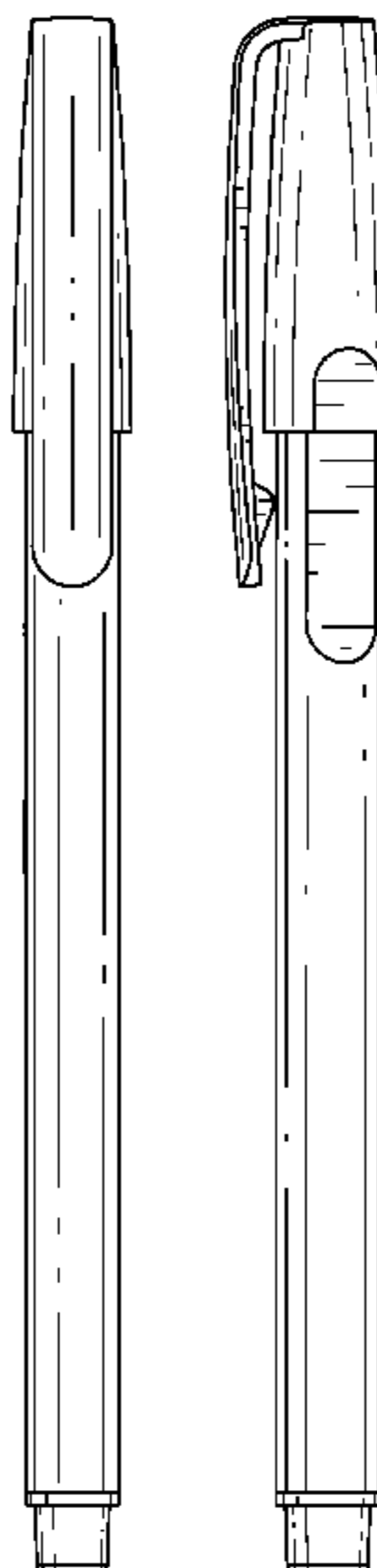
(57) **CLAIM**

The ornamental design for a pen, as shown and described.

DESCRIPTION

FIG. 1 is an upper rear right perspective view of a pen showing my new design;
FIG. 2 is a front elevation view thereof;
FIG. 3 is a rear elevation view thereof;
FIG. 4 is a right side elevation view thereof, with the left side elevation view being a minor image of the right side elevation view;
FIG. 5 is an enlarged top plan view thereof; and,
FIG. 6 is an enlarged bottom plan view thereof.
The broken lines on the bottom in FIG. 6 are included for the purpose of showing a portion of the pen that forms no part of the claimed design.

1 Claim, 3 Drawing Sheets



US D693,877 S

Page 2

(56)

References Cited

U.S. PATENT DOCUMENTS

D612,426 S 3/2010 Suero, Jr.
D614,623 S * 4/2010 Crisp et al. D14/411
D641,402 S * 7/2011 Tan D19/43
D641,787 S * 7/2011 Tan D19/48

D668,293 S * 10/2012 Chen D19/49
D683,402 S * 5/2013 Xie D19/49

OTHER PUBLICATIONS

Lv, X., "Pen Cap," U.S. Appl. No. 29/425,959, filed Jun. 28, 2012.

* cited by examiner

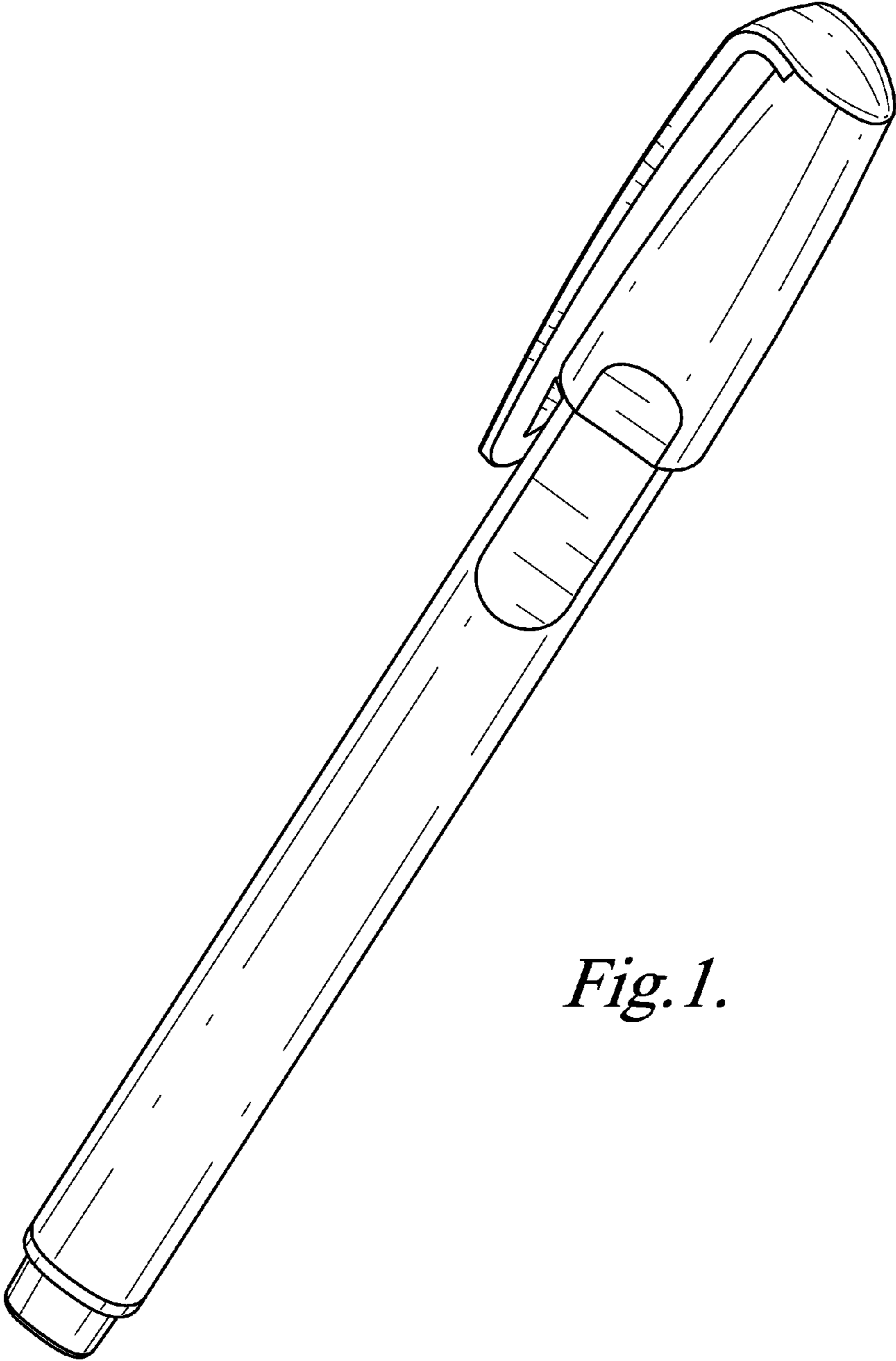


Fig. 1.

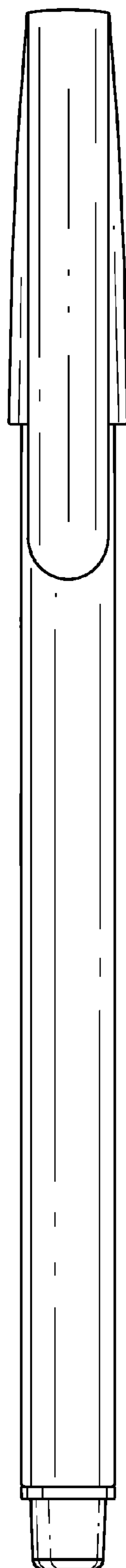


Fig. 2.

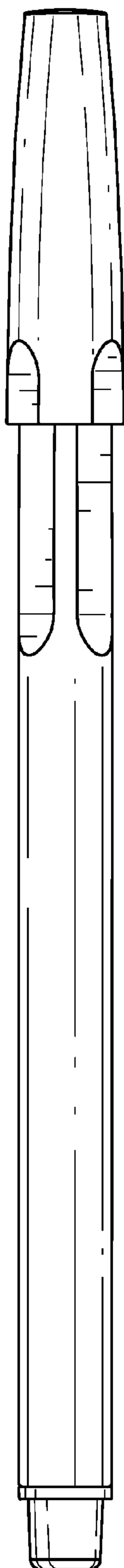


Fig. 3.

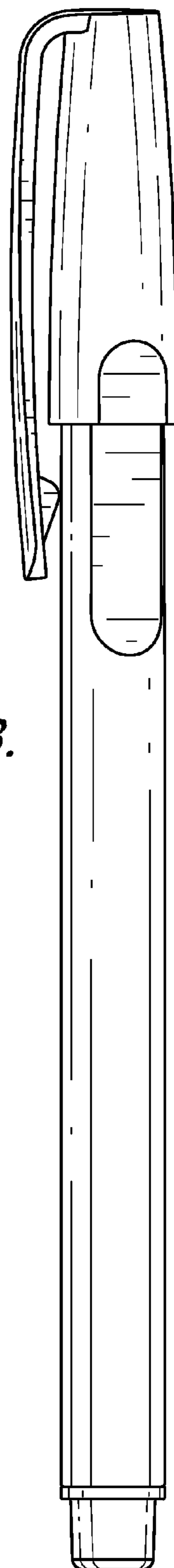


Fig. 4.

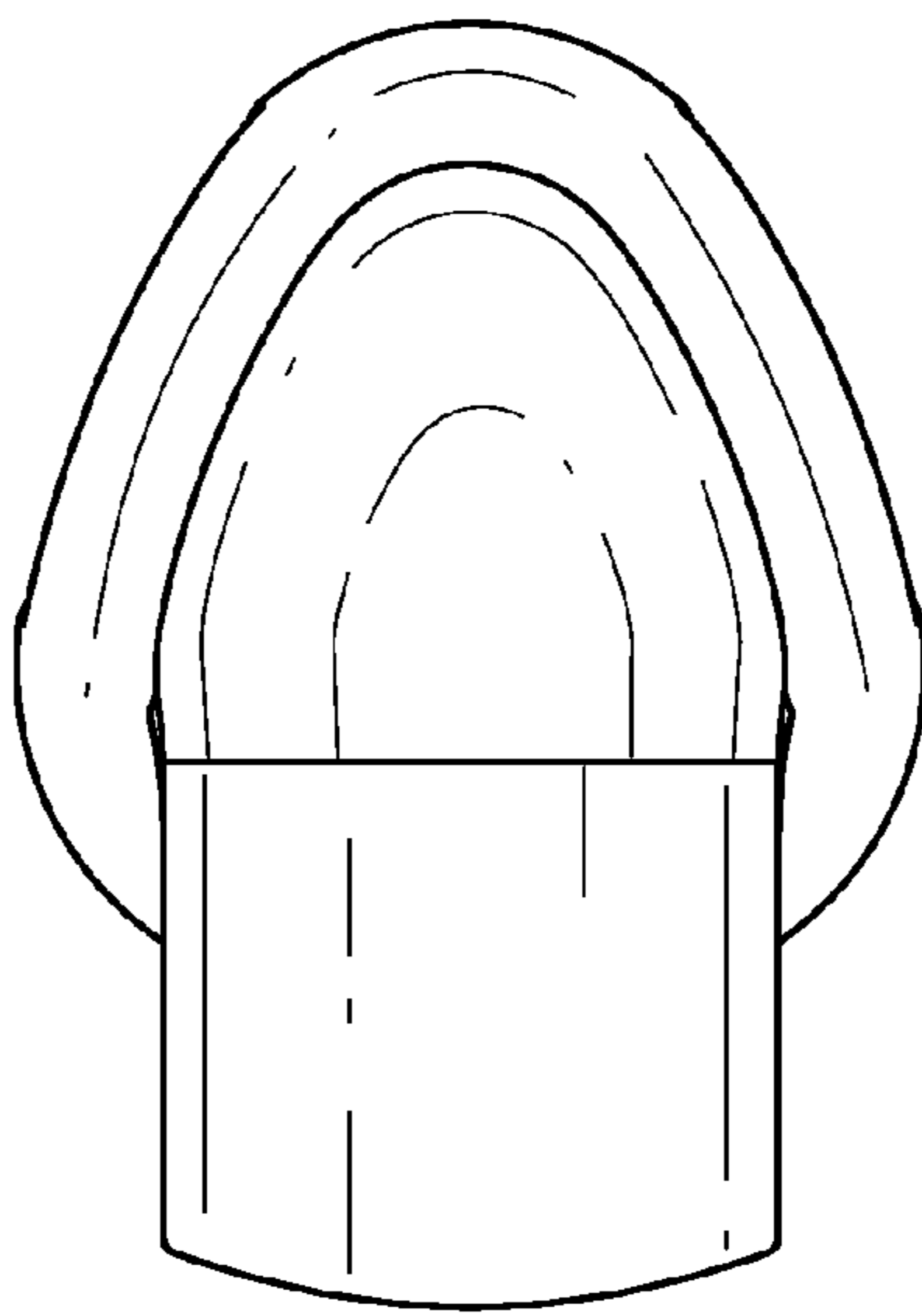


Fig. 5.

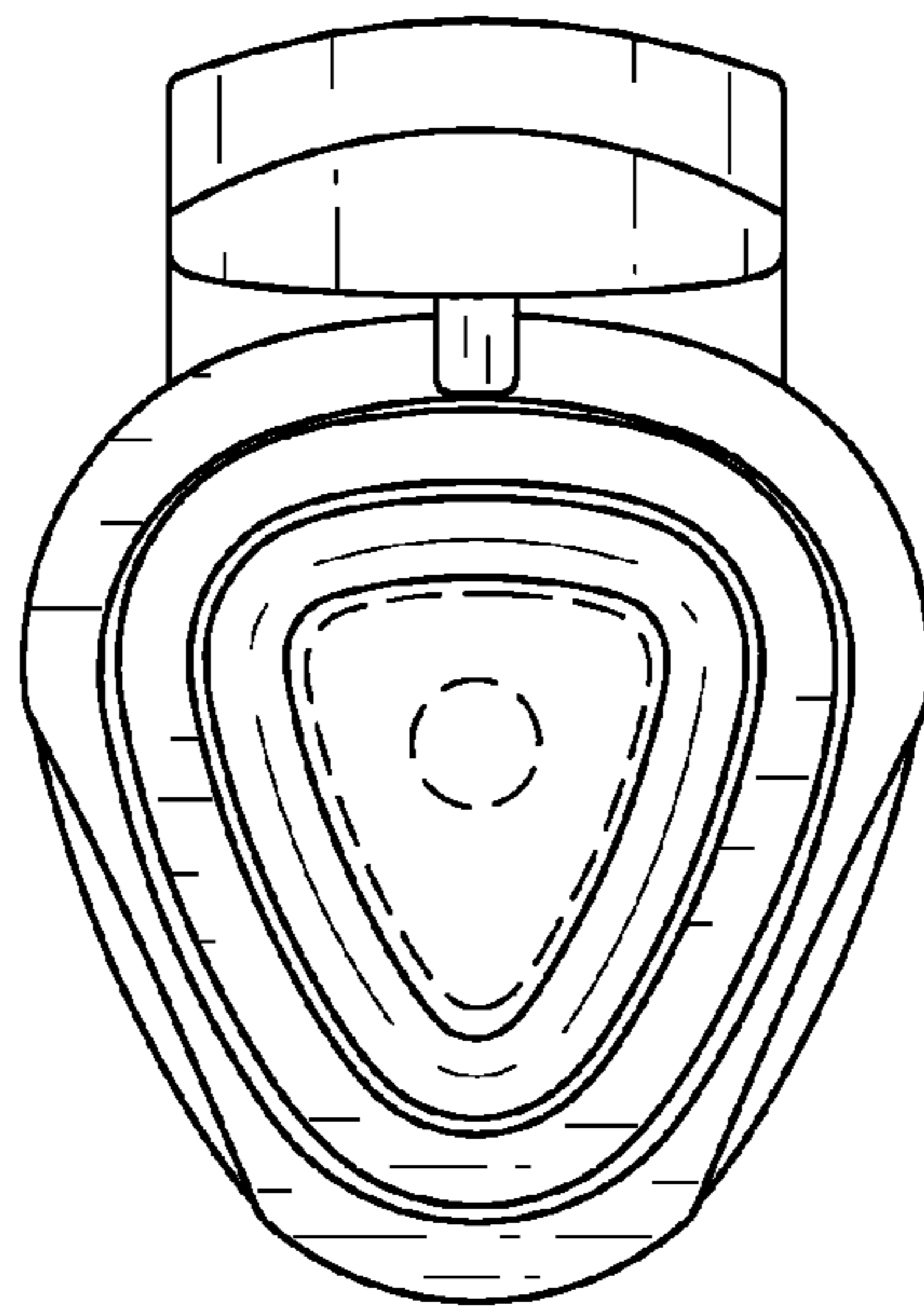


Fig. 6.

UNITED STATES PATENT AND TRADEMARK OFFICE
CERTIFICATE OF CORRECTION

PATENT NO. : D693,877 S
APPLICATION NO. : 29/425950
DATED : November 19, 2013
INVENTOR(S) : X. Lv

Page 1 of 1

It is certified that error appears in the above-identified patent and that said Letters Patent is hereby corrected as shown below:

On the Title Page

<u>COLUMN</u>	<u>LINE</u>	<u>ERROR</u>
item (57) Pg. 1, Col. 2	Description line 6 of text	“a minor image” should read --a mirror image--

Signed and Sealed this
Twenty-first Day of October, 2014



Michelle K. Lee
Deputy Director of the United States Patent and Trademark Office