



US00D693874S

(12) **United States Design Patent**
Daniel

(10) **Patent No.:** **US D693,874 S**

(45) **Date of Patent:** **** Nov. 19, 2013**

(54) **ELECTRONIC PAYMENT CARD WITH BIOMETRIC VERIFICATION MEANS**

(71) Applicant: **Isaac S. Daniel**, Miramar, FL (US)

(72) Inventor: **Isaac S. Daniel**, Miramar, FL (US)

(**) Term: **14 Years**

(21) Appl. No.: **29/444,991**

(22) Filed: **Feb. 6, 2013**

(51) **LOC (9) Cl.** **19-08**

(52) **U.S. Cl.**
USPC **D19/10**

(58) **Field of Classification Search**
USPC D19/1-12, 100; 40/124.01-124.15,
40/672, 661, 776, 726, 617; 235/380, 449,
235/487, 492, 493, 488; 206/449, 815, 315;
D20/10, 22, 27, 40, 11, 39, 43;
D14/435, 436, 437, 478; 283/72-78,
283/81-83, 107-114, 904
See application file for complete search history.

(56) **References Cited**

U.S. PATENT DOCUMENTS

D427,577 S *	7/2000	Haas et al.	D14/437
D436,620 S *	1/2001	Webb et al.	D19/10
D494,999 S *	8/2004	Cook, Jr.	D19/10
D512,095 S *	11/2005	Allard et al.	D19/10
D565,096 S *	3/2008	Brown	D19/10

D582,977 S *	12/2008	Field et al.	D19/10
D661,350 S *	6/2012	Halbur et al.	D19/9
D667,495 S *	9/2012	Bender	D19/10
D672,807 S *	12/2012	Ahrabian	D19/9
D676,487 S *	2/2013	Mullen et al.	D19/10
8,408,471 B2 *	4/2013	Kim	235/487

* cited by examiner

Primary Examiner — Caron D Veynar

Assistant Examiner — Abraham Bahta

(74) *Attorney, Agent, or Firm* — Carol N. Green, Esq.

(57) **CLAIM**

The ornamental design for an electronic payment card with biometric verification means, as shown and described.

DESCRIPTION

FIG. 1 is a front perspective view of the electronic payment card with biometric verification means.

FIG. 2 is a rear perspective view of the electronic payment card with biometric verification means.

FIG. 3 is a front plan view of the electronic payment card with biometric verification means.

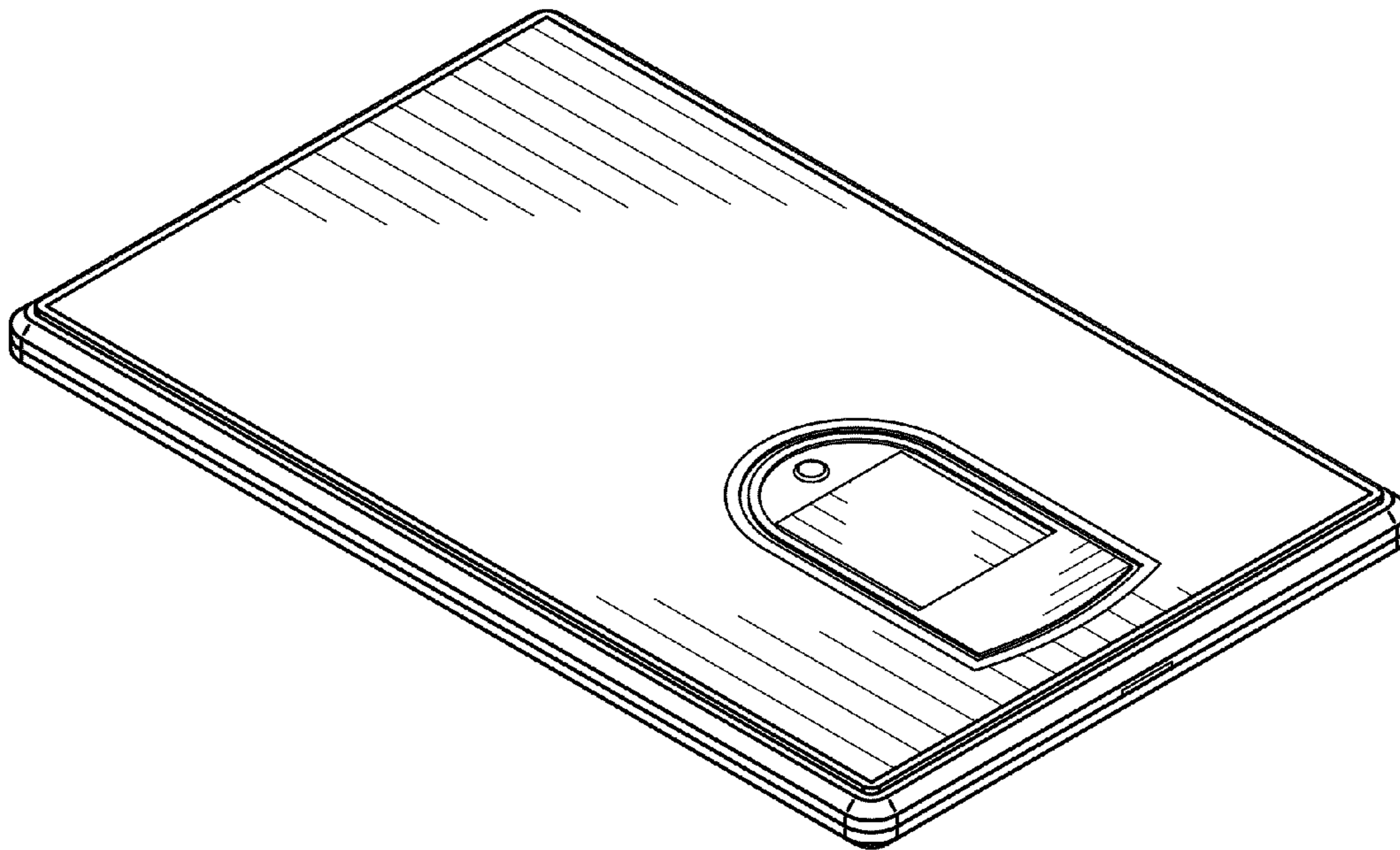
FIG. 4 is a rear plan view of the electronic payment card with biometric verification means.

FIG. 5 is a right side view of the electronic payment card with biometric verification means.

FIG. 6 is a left side view of the electronic payment card with biometric verification means; and,

FIG. 7 is a top view of the electronic payment card with biometric verification means.

1 Claim, 3 Drawing Sheets



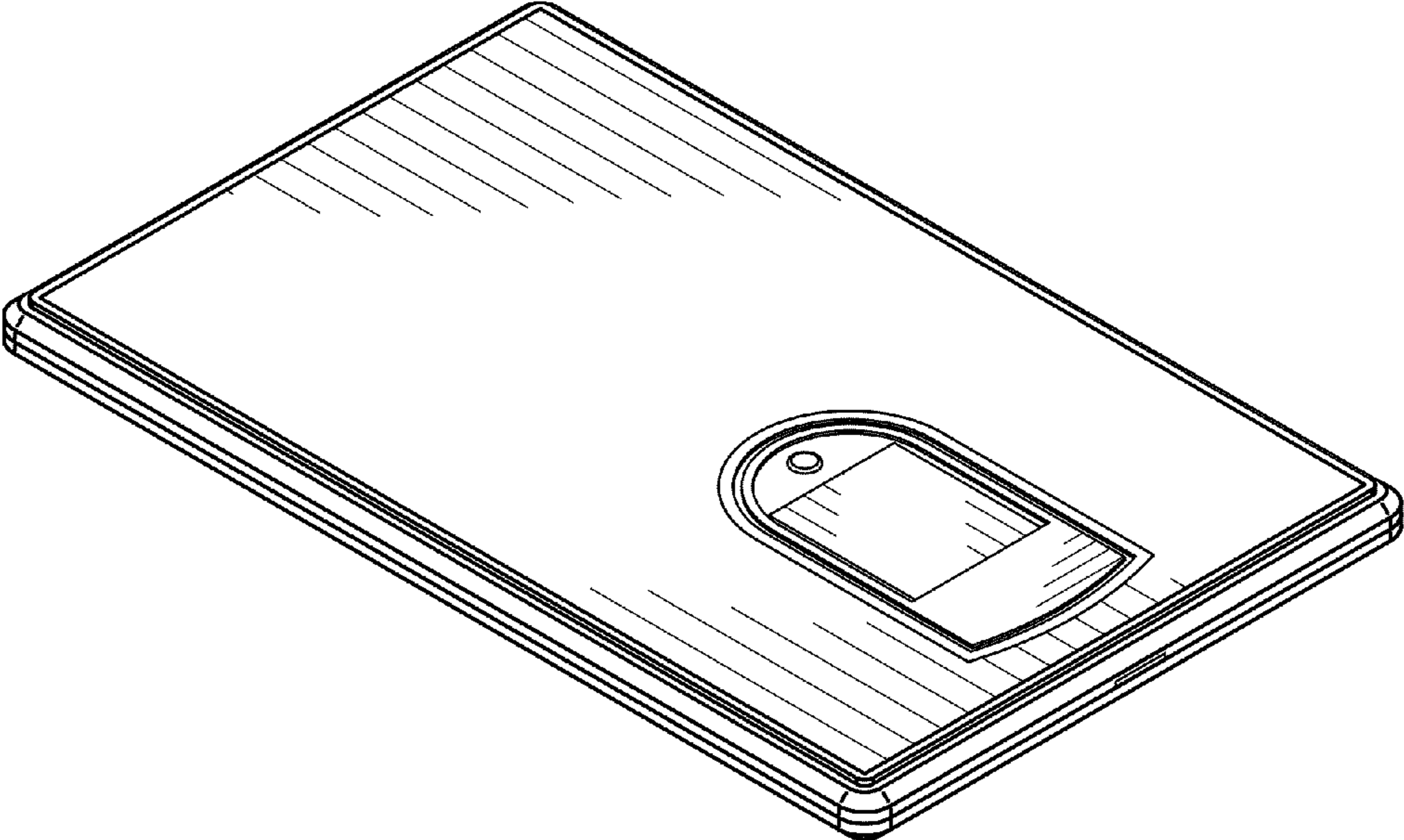


FIG. 1

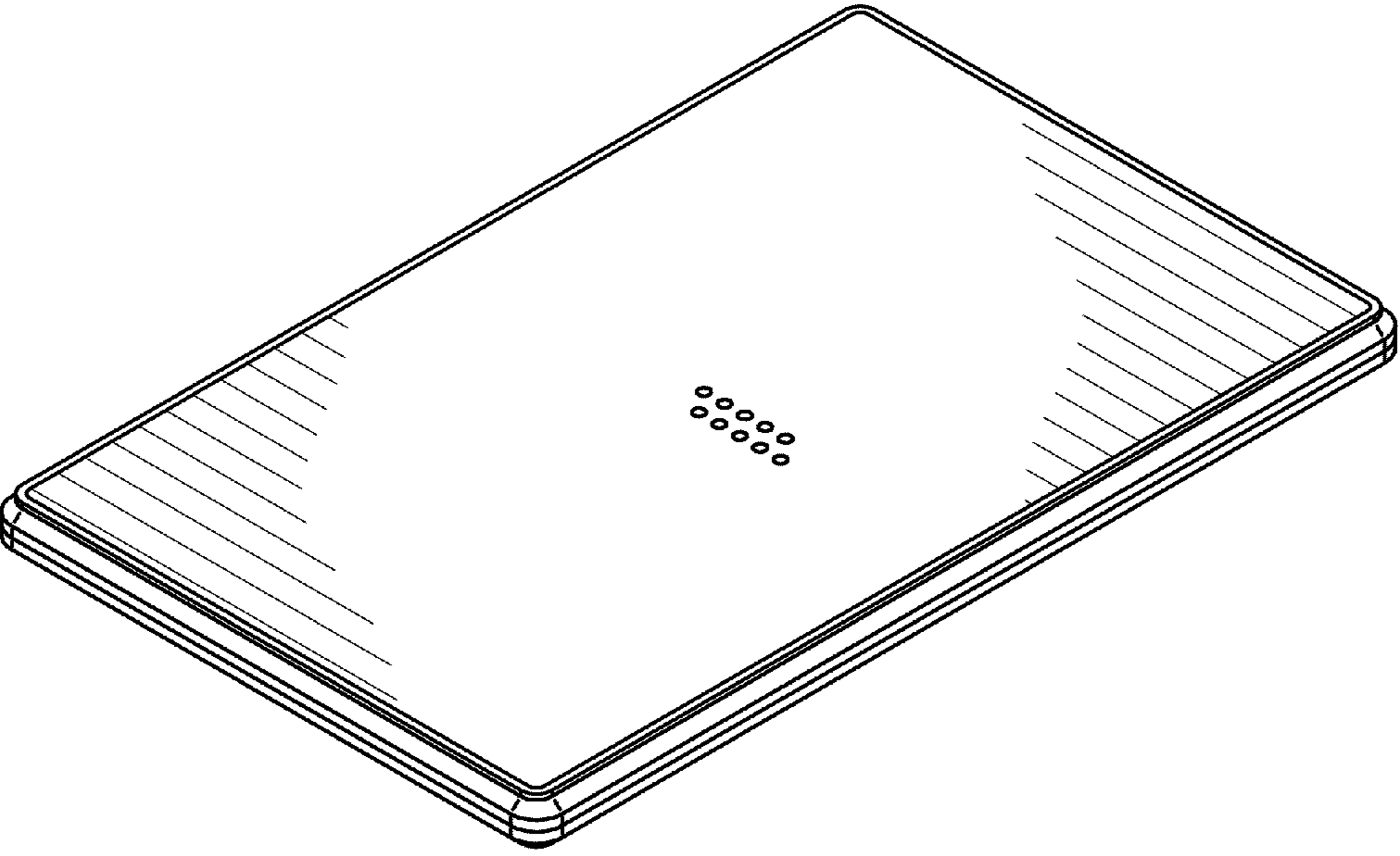


FIG. 2

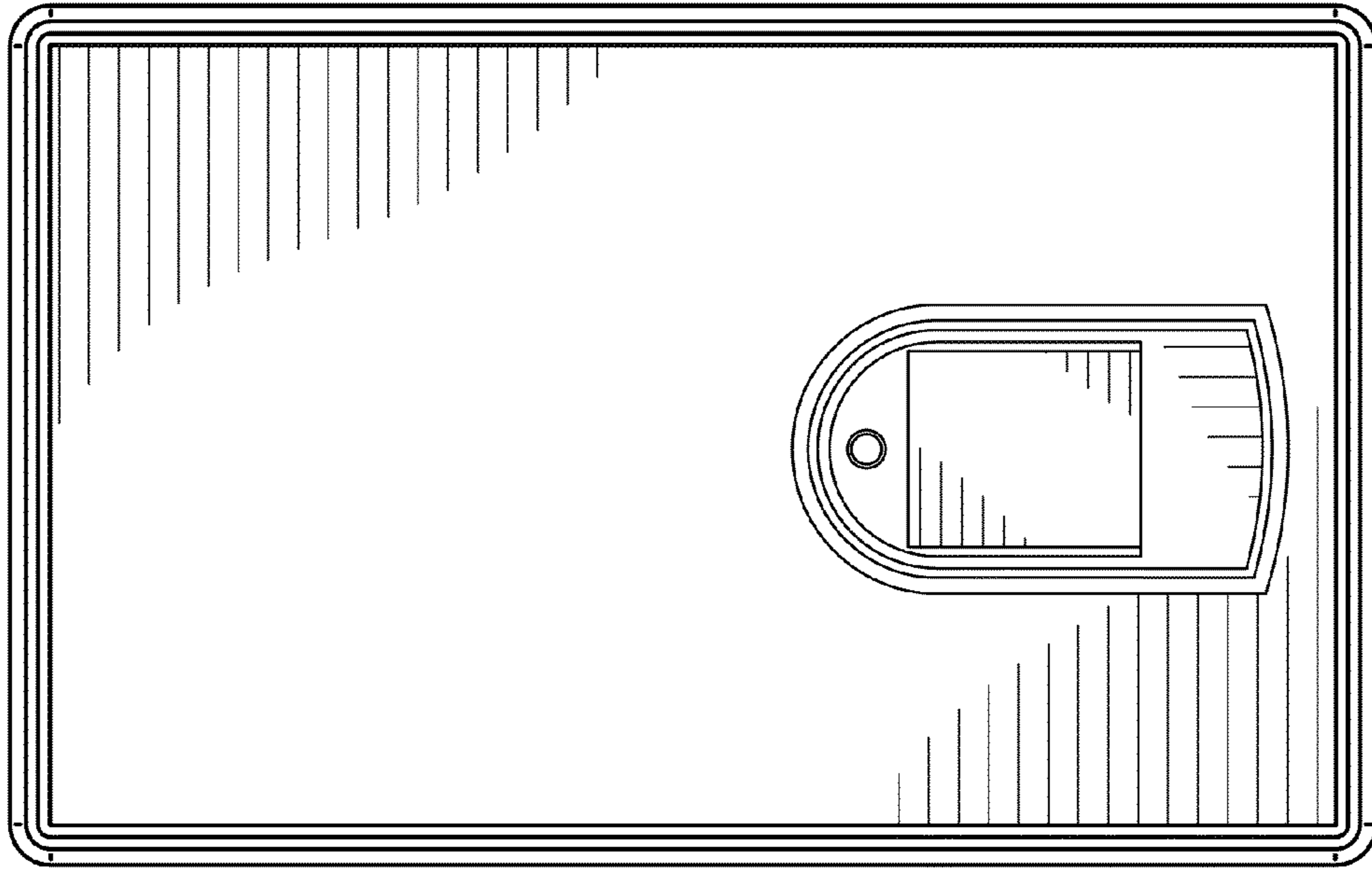


FIG. 3

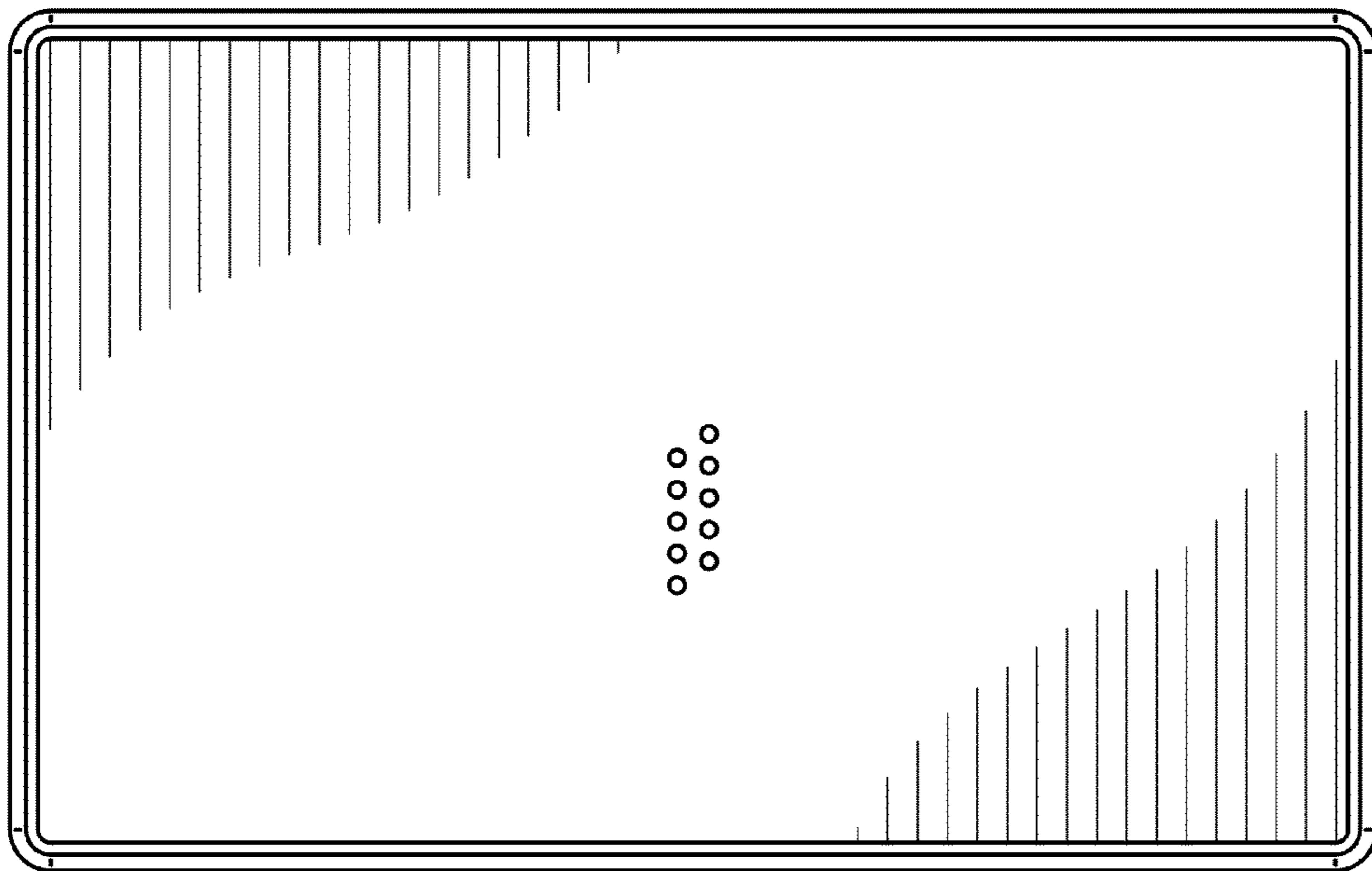


FIG. 4



FIG. 5



FIG. 6



FIG. 7