



US00D693873S

(12) **United States Design Patent**
Fukasawa et al.

(10) **Patent No.:** **US D693,873 S**
(45) **Date of Patent:** **** Nov. 19, 2013**

(54) **PRINTER**

(75) Inventors: **Naoto Fukasawa**, Tokyo (JP);
Jong-Kyu Kim, Seoul (KR);
Seung-Wook Jeong, Seoul (KR)

(73) Assignee: **Samsung Electronics Co., Ltd.**,
Suwon-si, Gyeonggi-do (KR)

(**) Term: **14 Years**

(21) Appl. No.: **29/426,323**

(22) Filed: **Jul. 3, 2012**

(30) **Foreign Application Priority Data**

Jan. 19, 2012 (KR) 30-2012-0003011

(51) **LOC (9) Cl.** **14-02**

(52) **U.S. Cl.**
USPC **D18/55**

(58) **Field of Classification Search**
USPC D18/36-38, 50, 54, 54.1, 55;
D14/420-425, 462-470; 400/613,
400/613.1-613.4, 690.1-690.4, 691-694
See application file for complete search history.

(56) **References Cited**

U.S. PATENT DOCUMENTS

D555,722 S 11/2007 Bae et al.
D562,886 S * 2/2008 Egami et al. D18/55
D584,348 S * 1/2009 Boo et al. D18/55
D607,928 S * 1/2010 Kim et al. D18/55
D639,847 S * 6/2011 Nakata et al. D18/55
D641,038 S 7/2011 Park et al.

D641,395 S 7/2011 Park et al.
D641,398 S * 7/2011 Kim et al. D18/55
D643,058 S * 8/2011 Seki et al. D18/55
D647,132 S * 10/2011 Kim et al. D18/55

OTHER PUBLICATIONS

U.S. Appl. No. 29/415,216, Applicant: Jong-Kyu Kim, et al., filed Mar. 8, 2012 entitled Printer Final Rejection.
U.S. Appl. No. 29/415,218, Applicant: Jong-Kyu Kim, et al., filed Mar. 8, 2012 entitled Printer Final Rejection.
U.S. Appl. No. 29/426,327, Applicant: Naoto Fukasawa, et al., filed Jul. 3, 2012 entitled Printer Searched W/Instant App.

* cited by examiner

Primary Examiner — Cathy A MacCormac

(74) *Attorney, Agent, or Firm* — Flynn, Thiel, Boutell & Tanis, P.C.

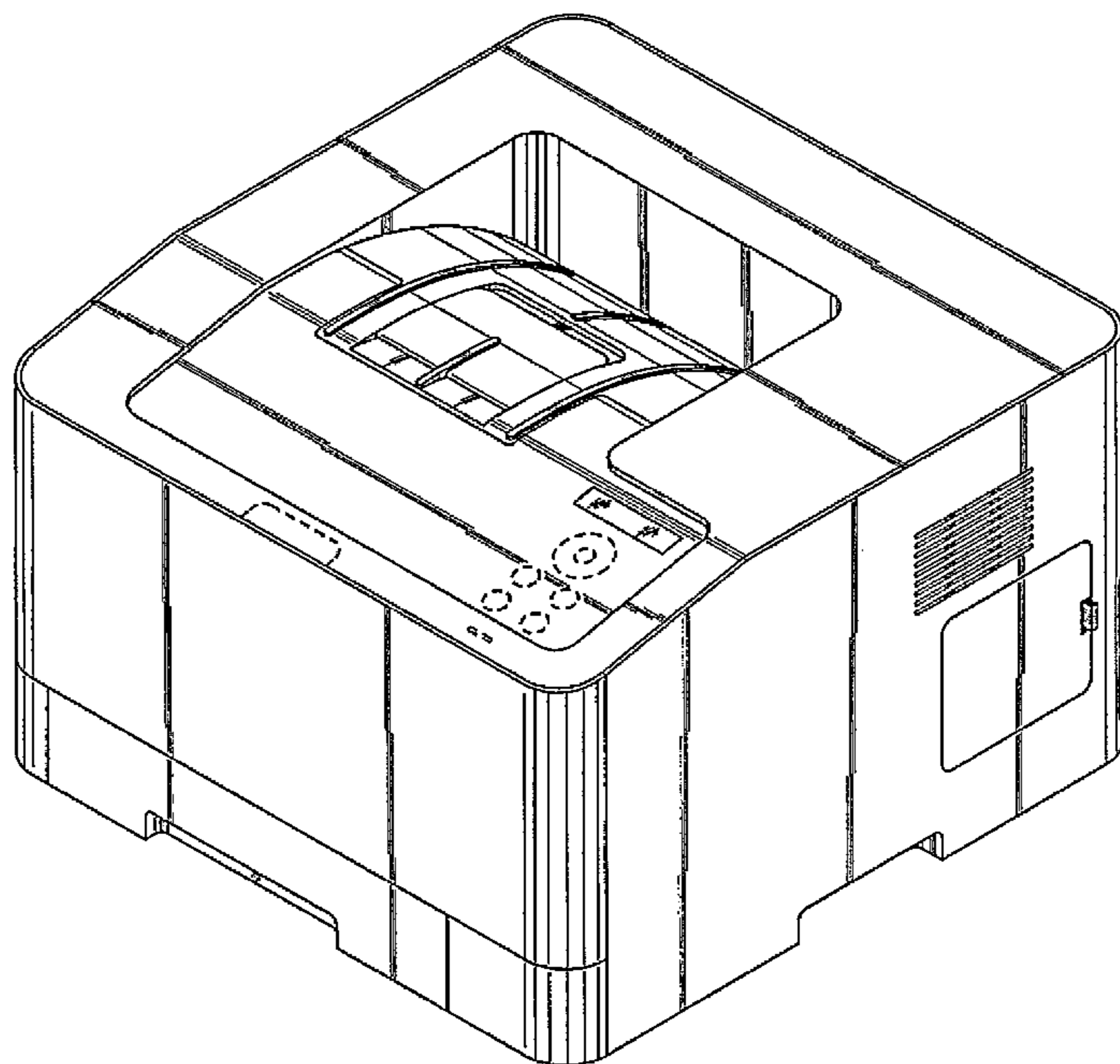
(57) **CLAIM**

The ornamental design for a printer, as shown and described.

DESCRIPTION

FIG. 1 is a top front perspective view of a printer showing our new design;
FIG. 2 is a front elevational view thereof;
FIG. 3 is a rear elevational view thereof;
FIG. 4 is a left side elevational view thereof;
FIG. 5 is a right side elevational view thereof;
FIG. 6 is a top plan view thereof; and,
FIG. 7 is a bottom plan view thereof.
The broken lines depict environmental subject matter only and form no part of the claimed design.

1 Claim, 4 Drawing Sheets



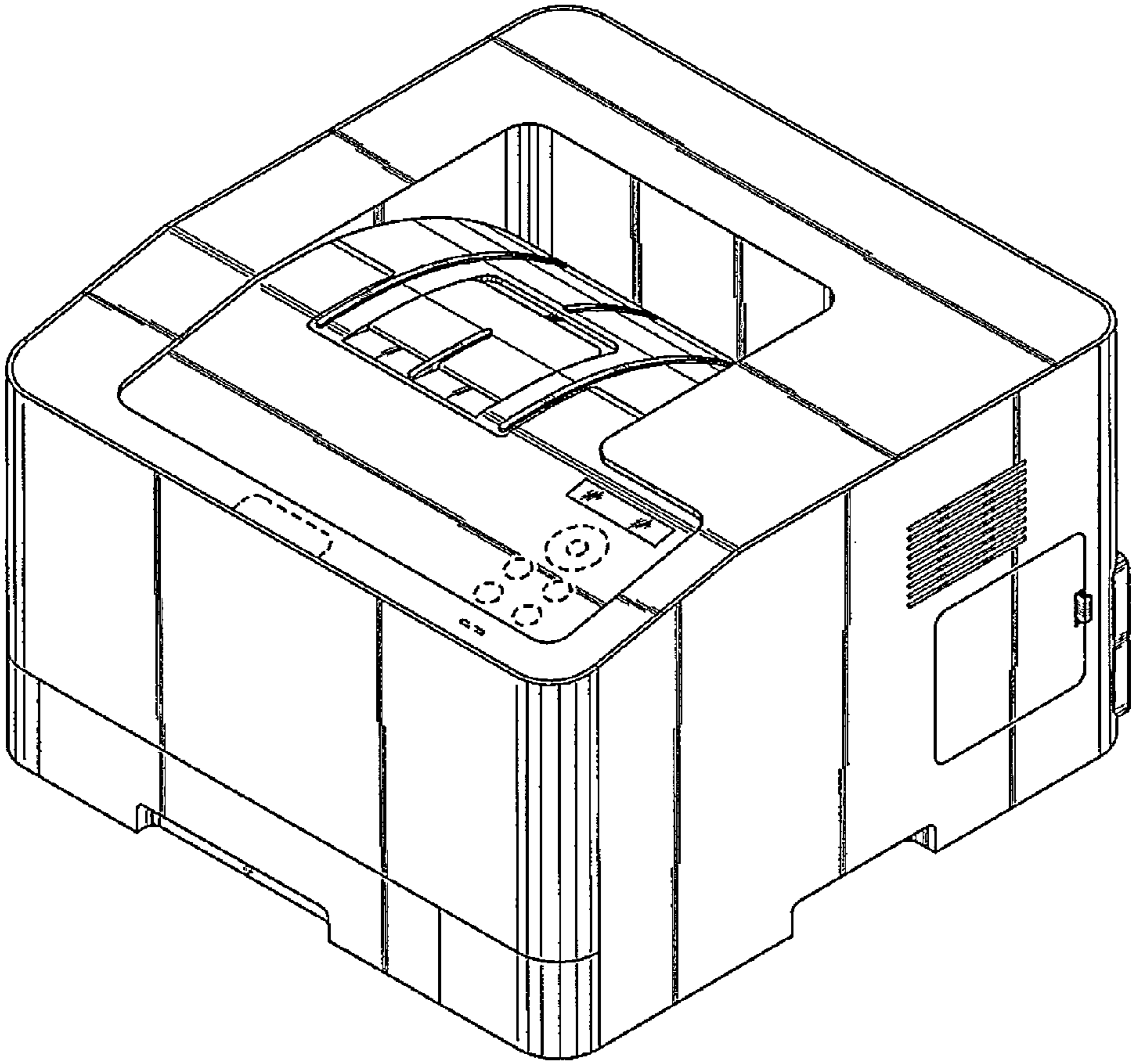


FIG. 1

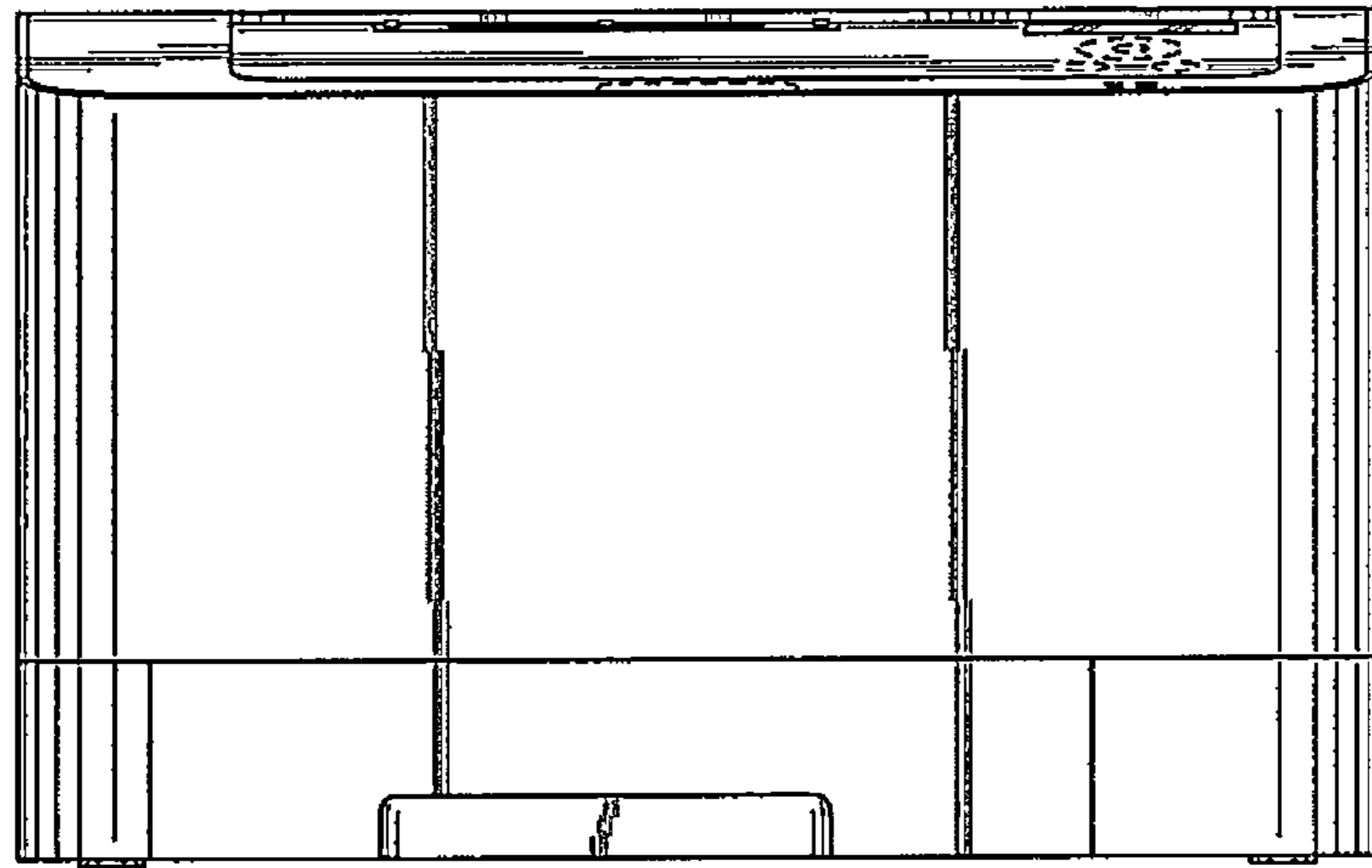


FIG. 2

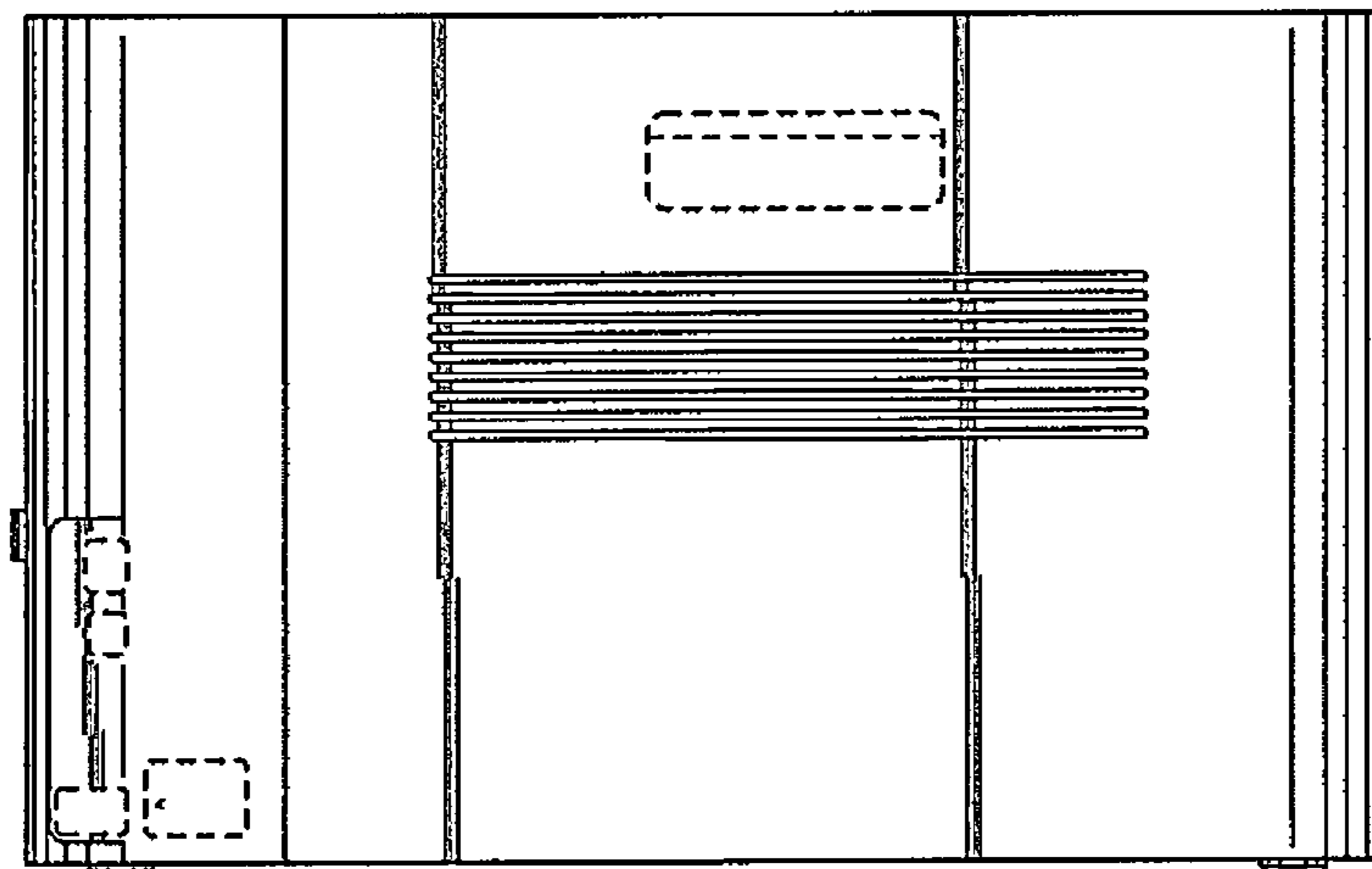


FIG. 3

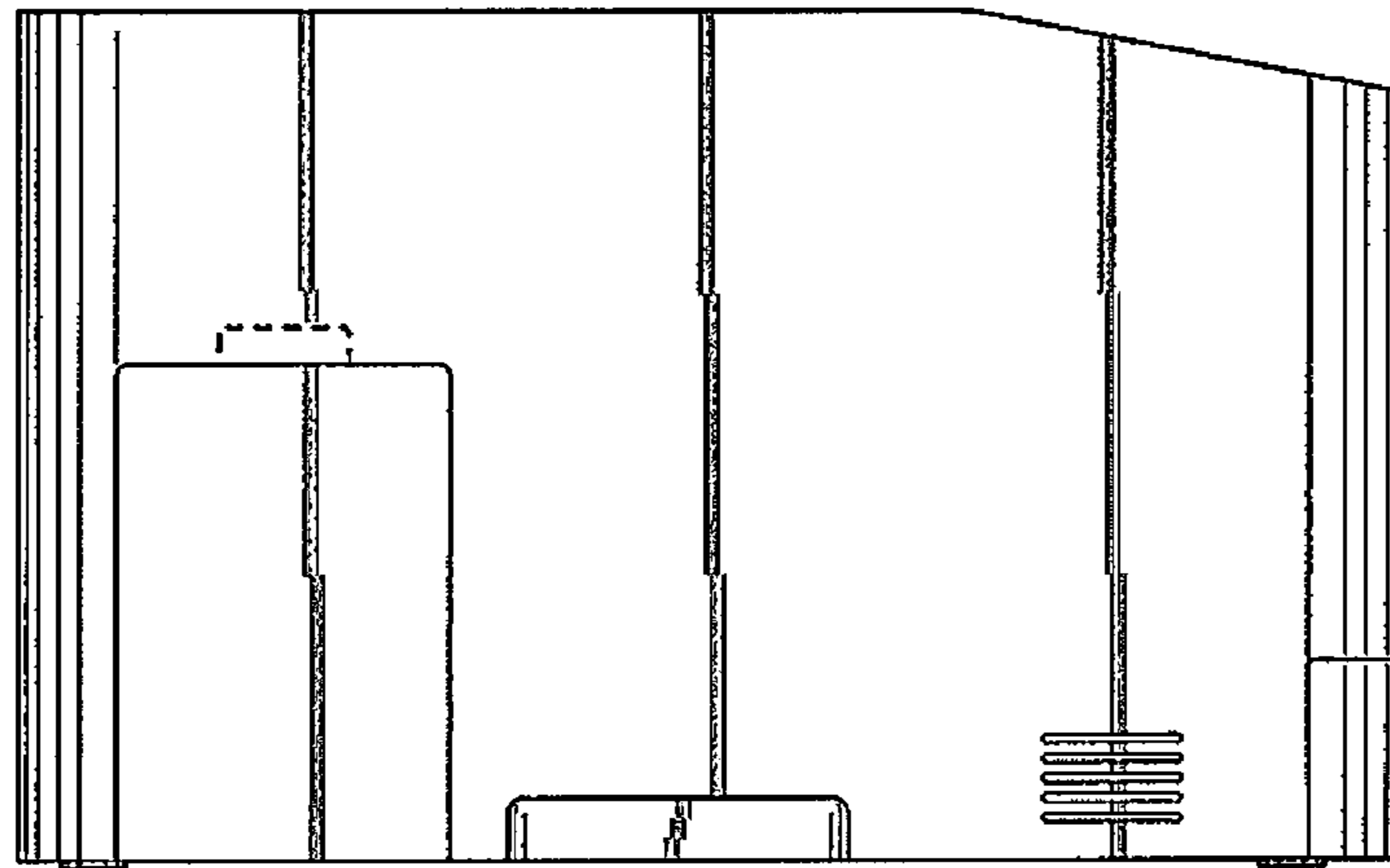


FIG. 4

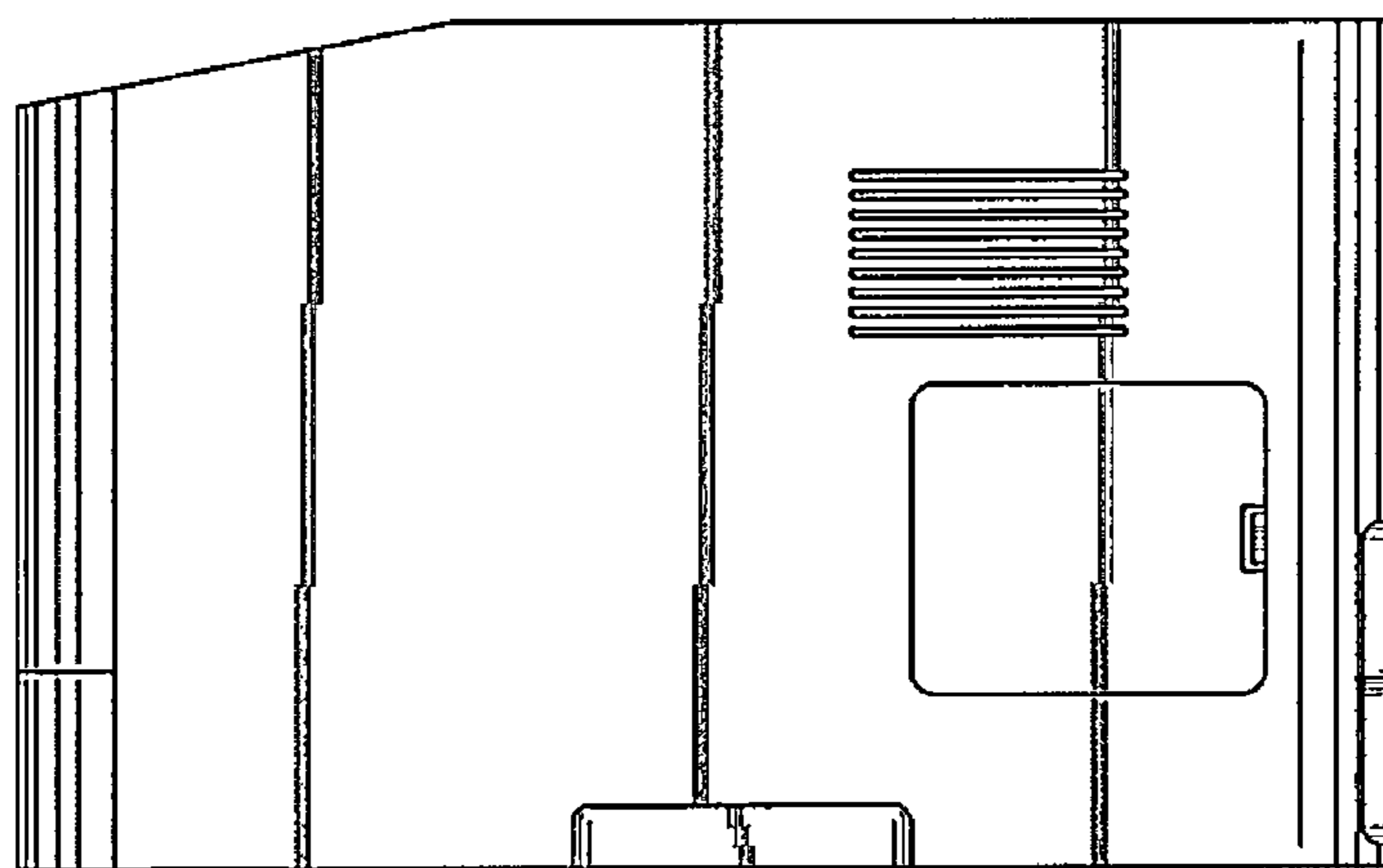


FIG. 5

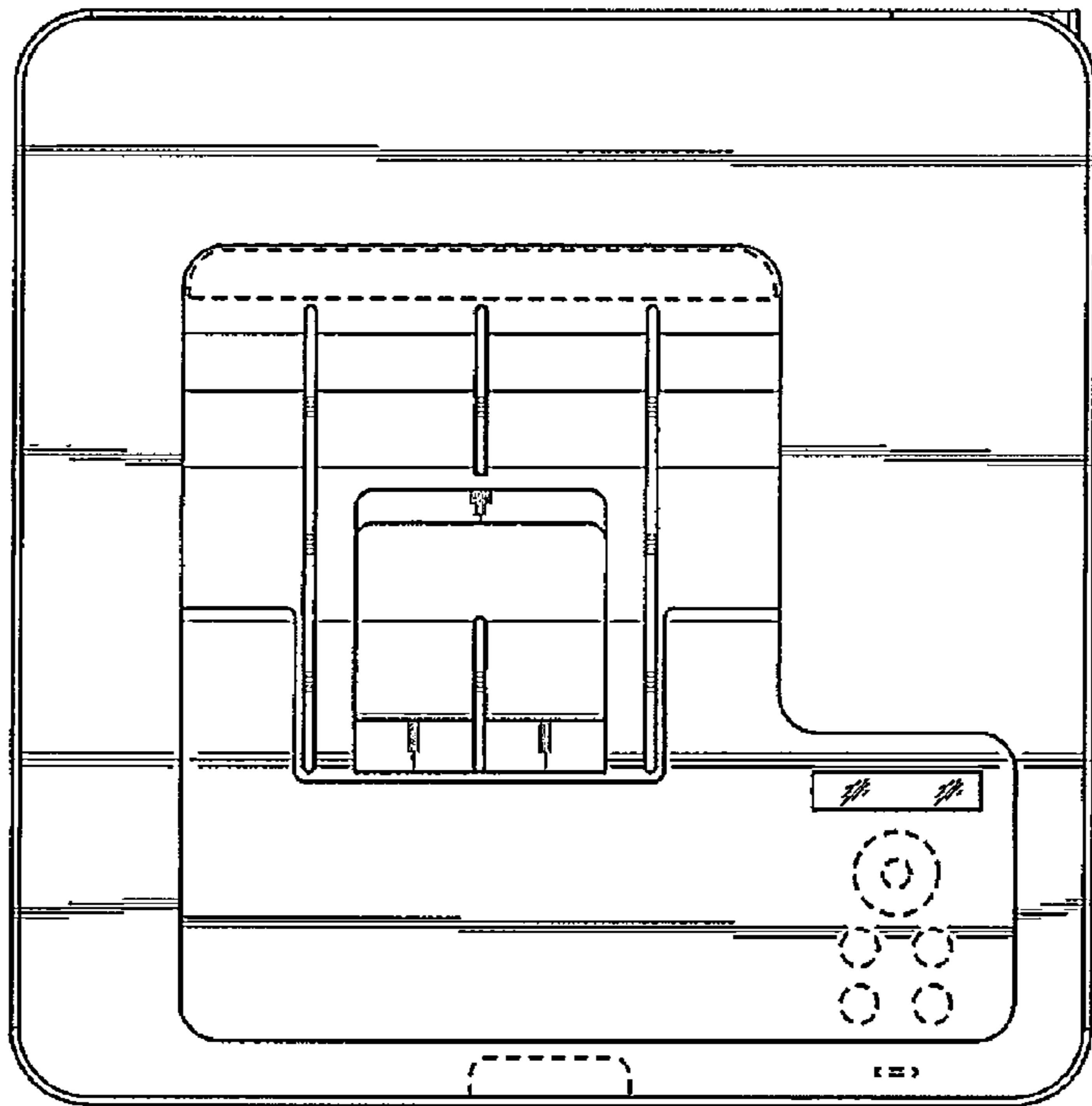


FIG. 6

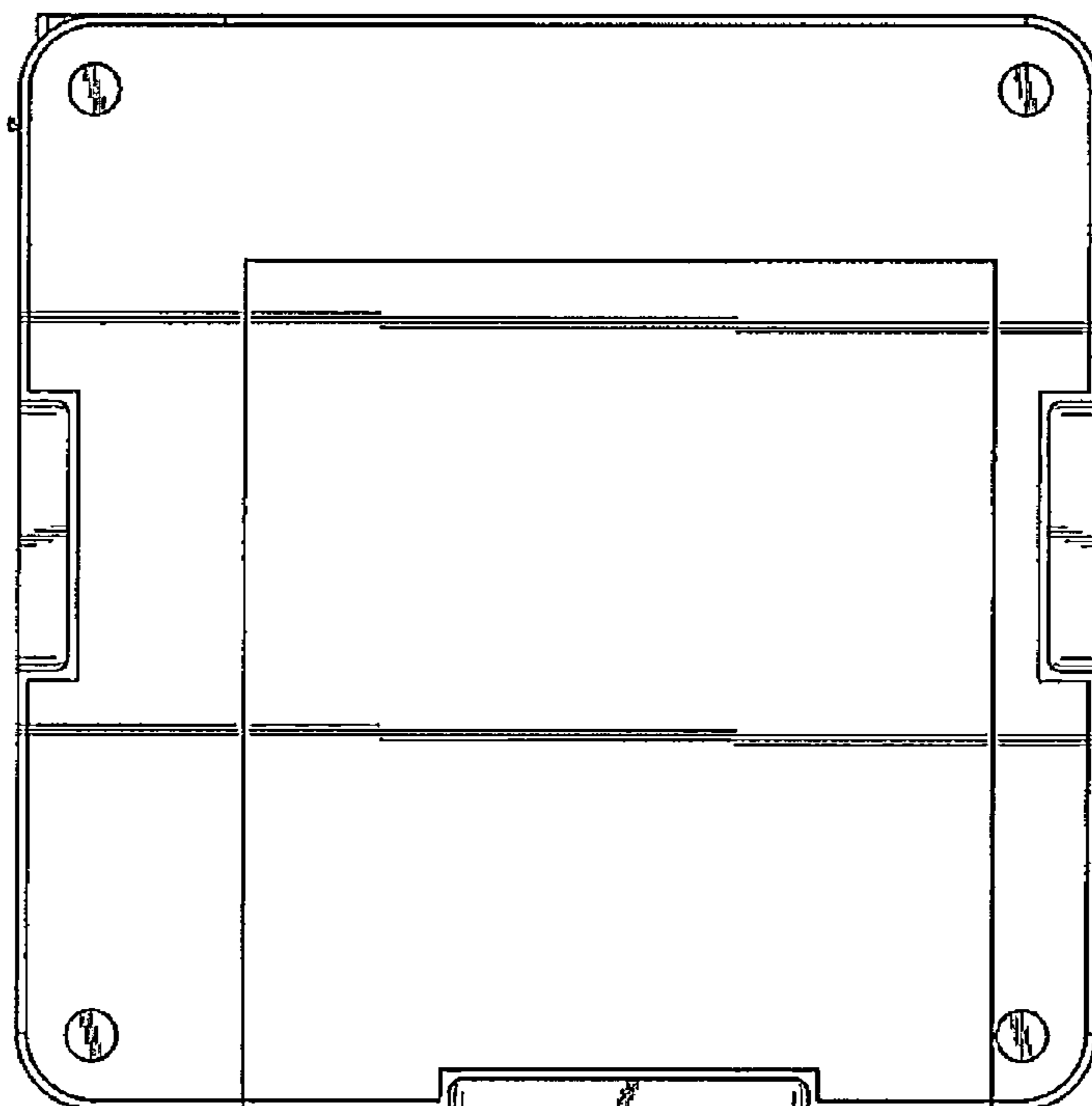


FIG. 7