



US00D693871S

(12) **United States Design Patent**
Tanifuji

(10) **Patent No.:** **US D693,871 S**

(45) **Date of Patent:** **** Nov. 19, 2013**

(54) **CAMCORDER**

(75) Inventor: **Shuji Tanifuji**, Yokohama (JP)

(73) Assignee: **JVC Kenwood Corporation**,
Yokohama-Shi, Kanagawa (JP)

(**) Term: **14 Years**

(21) Appl. No.: **29/430,848**

(22) Filed: **Aug. 30, 2012**

(30) **Foreign Application Priority Data**

Apr. 3, 2012 (JP) 2012-007819

(51) **LOC (9) Cl.** **16-05**

(52) **U.S. Cl.**
USPC **D16/219; D16/202**

(58) **Field of Classification Search**
USPC D16/200, 202, 203, 204, 205, 218, 219;
348/373-376; 358/906; 396/535-541
See application file for complete search history.

(56) **References Cited**

U.S. PATENT DOCUMENTS

5,767,906 A * 6/1998 Toyofuku et al. 348/375
D431,041 S * 9/2000 Sekine D16/202

D438,552 S * 3/2001 Sumita D16/202
D559,879 S * 1/2008 Sumita D16/202
D559,880 S * 1/2008 Sumita D16/202
D574,027 S * 7/2008 Miyazaki D16/202
D589,547 S * 3/2009 Yamada et al. D16/202

* cited by examiner

Primary Examiner — Adir Aronovich

(74) *Attorney, Agent, or Firm* — Nath, Goldberg & Meyer;
Jerald L. Meyer; Scott C. Langford

(57) **CLAIM**

The ornamental design for a camcorder, as shown and described.

DESCRIPTION

FIG. 1 is a front and right side perspective view of a camcorder showing my new design;
FIG. 2 is a rear and left side perspective view thereof;
FIG. 3 is a front elevational view thereof;
FIG. 4 is a rear elevational view thereof;
FIG. 5 is a left side elevational view thereof;
FIG. 6 is a right side elevational view thereof;
FIG. 7 is a top plan view thereof; and,
FIG. 8 is a bottom plan view thereof.

The portions of camcorder in broken lines are for illustrative purposes only and form no part of the claimed design.

1 Claim, 8 Drawing Sheets

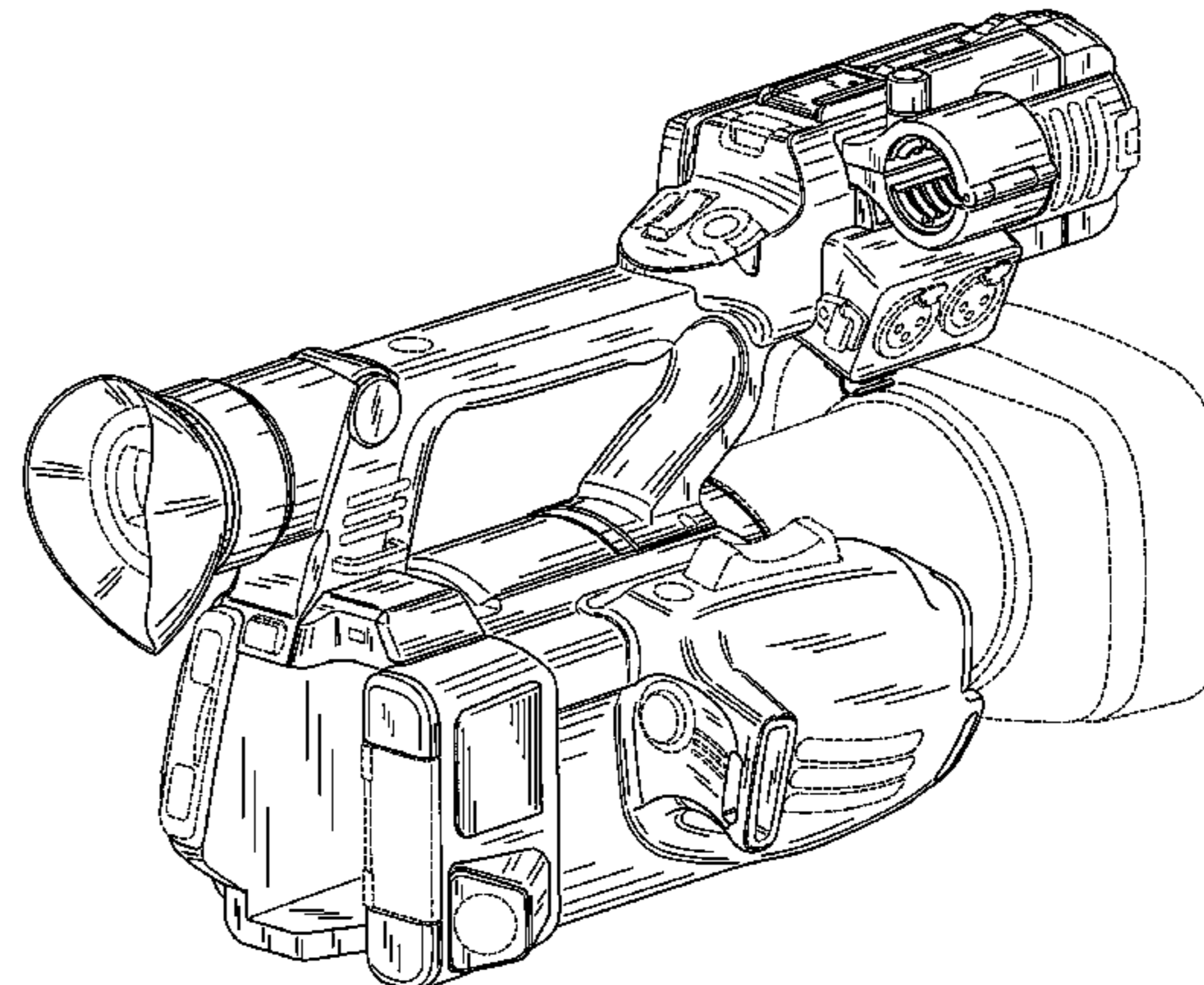
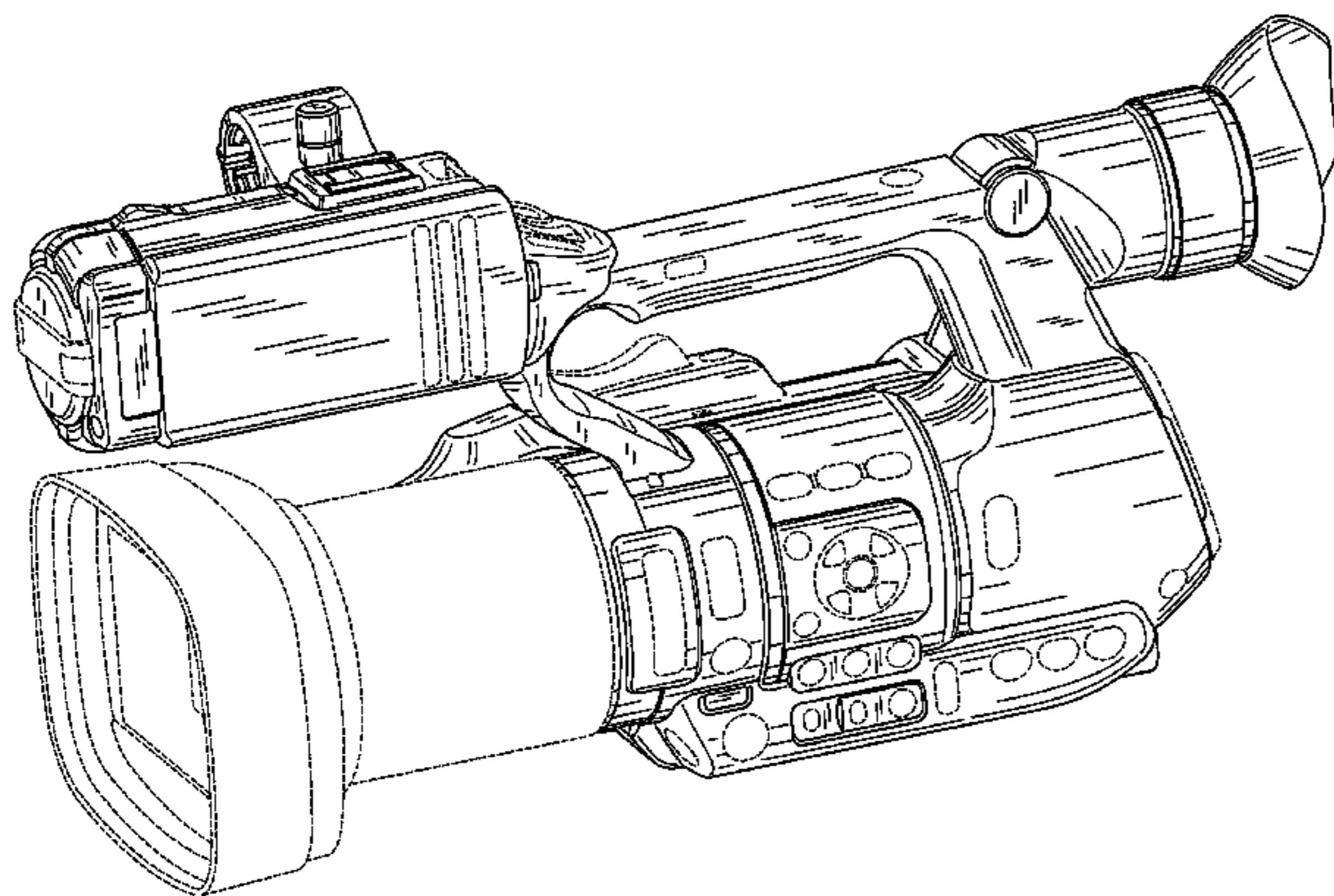
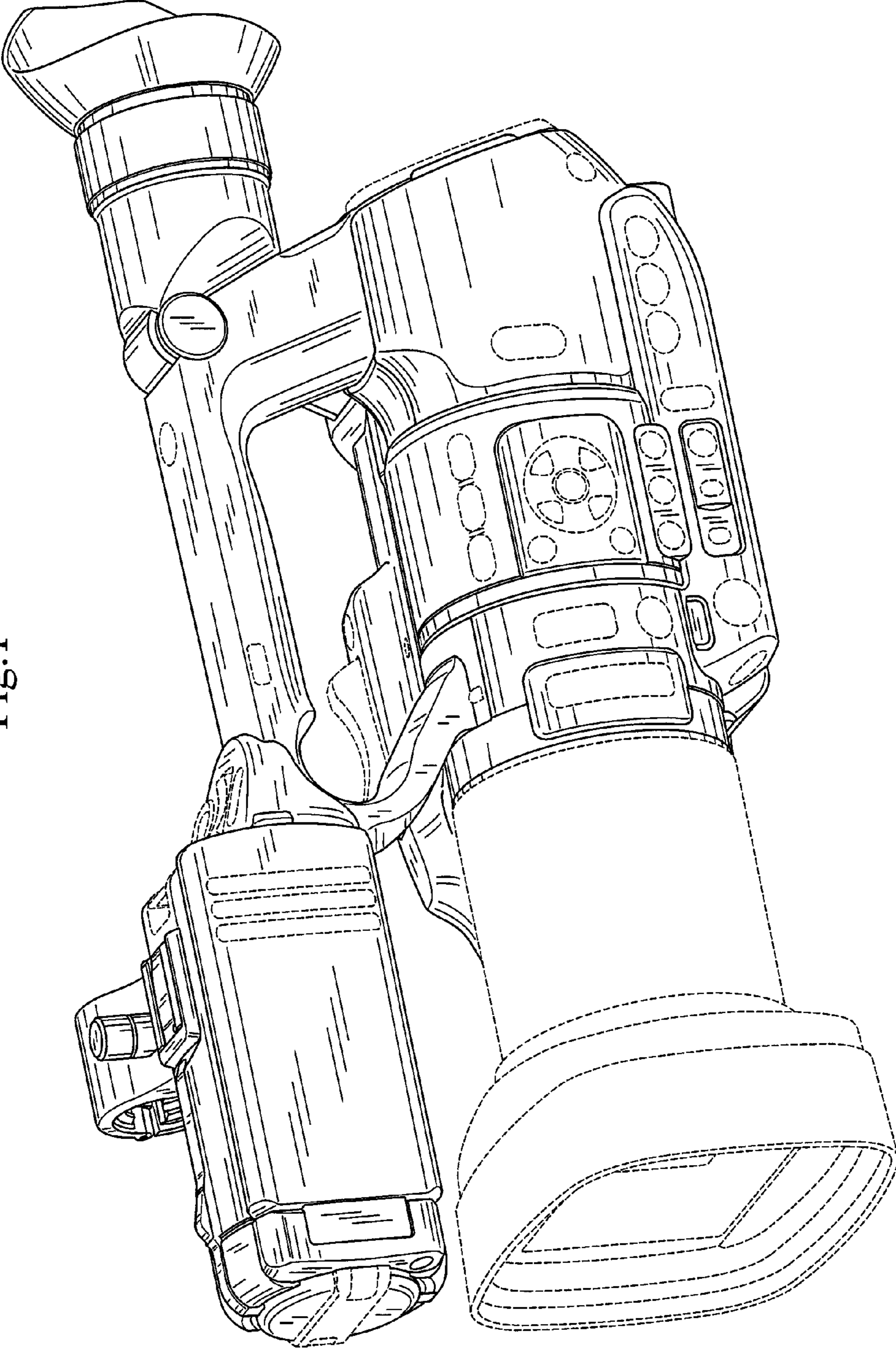


Fig.1



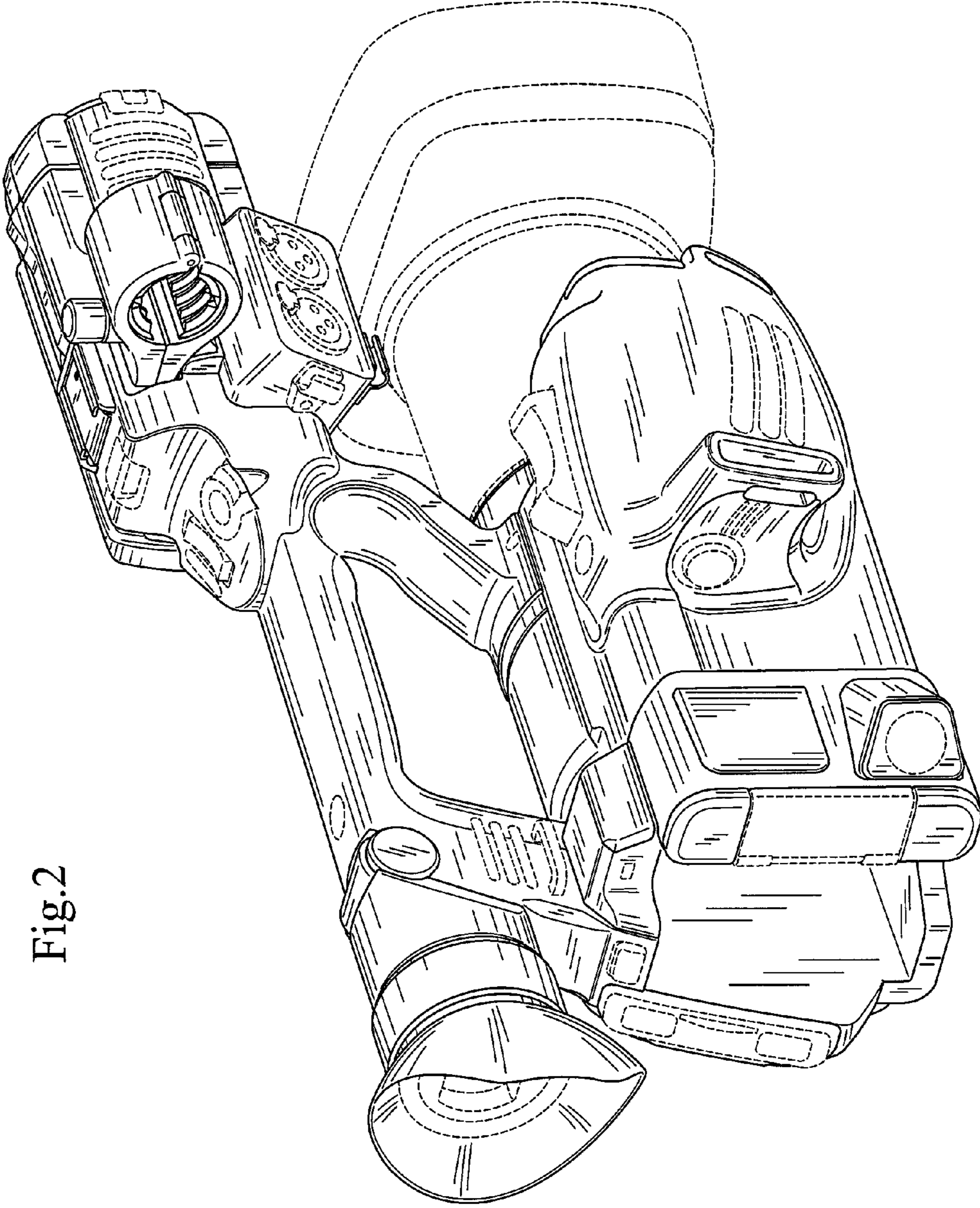


Fig.2

Fig.3

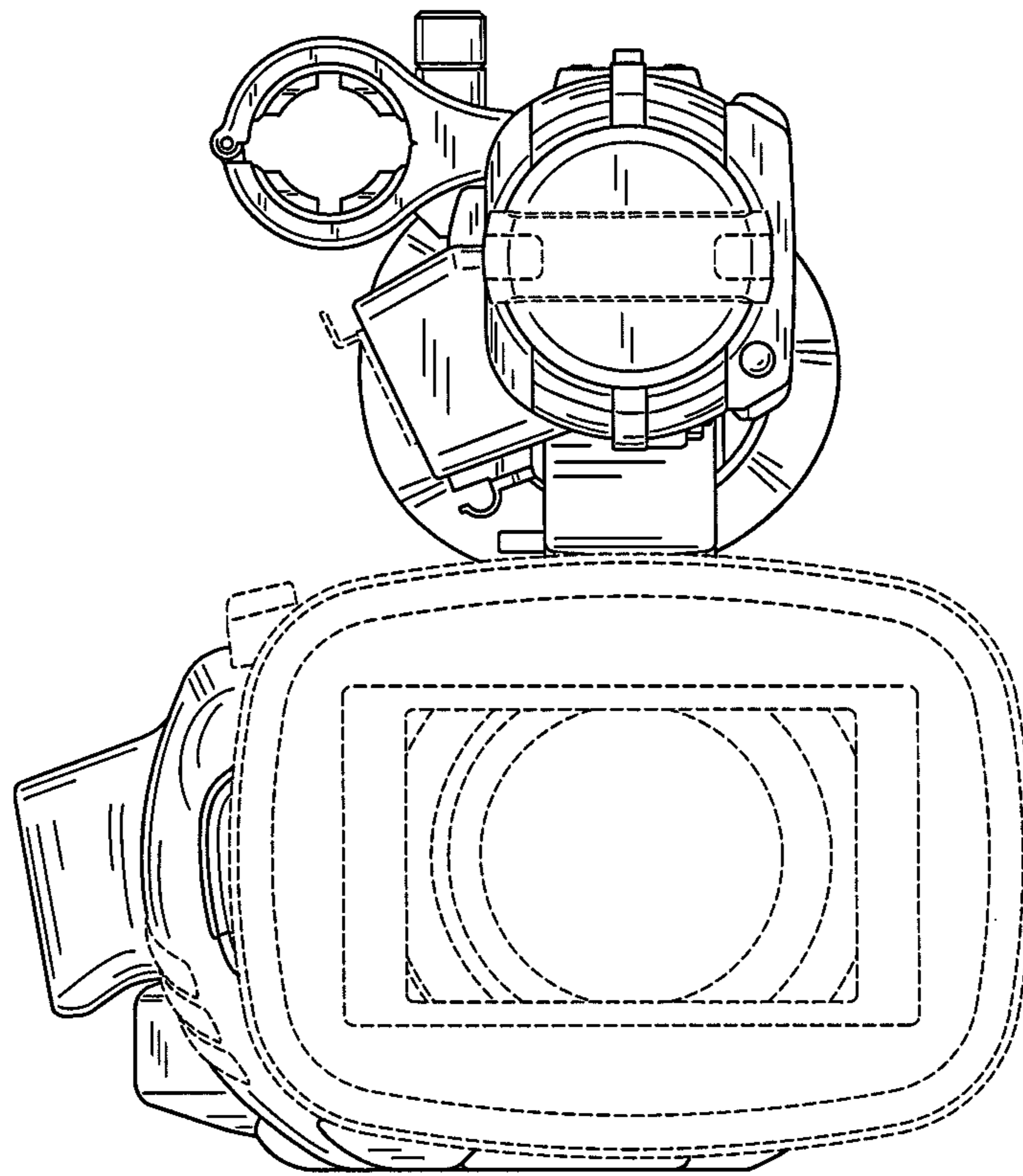


Fig.4

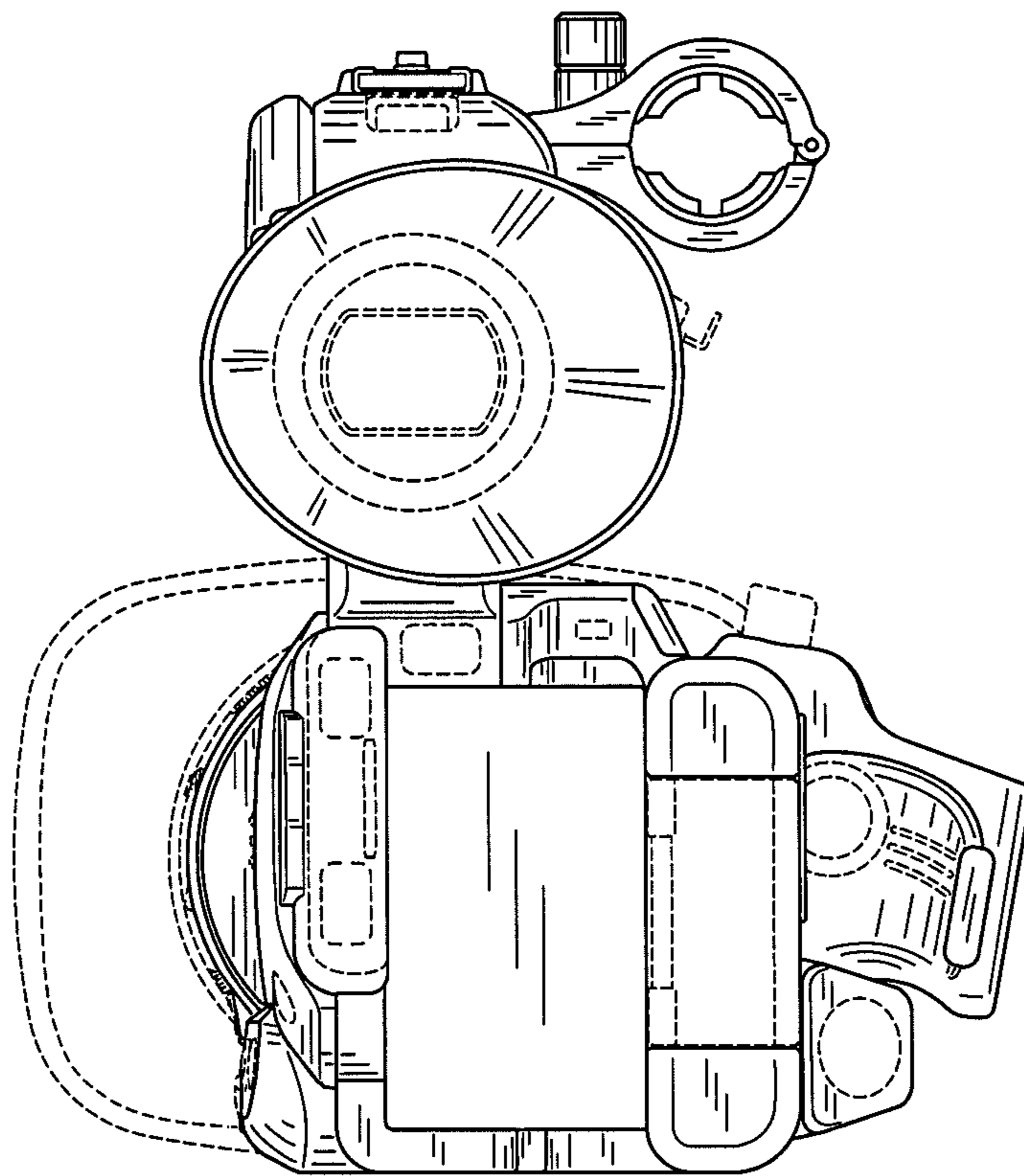


Fig.5

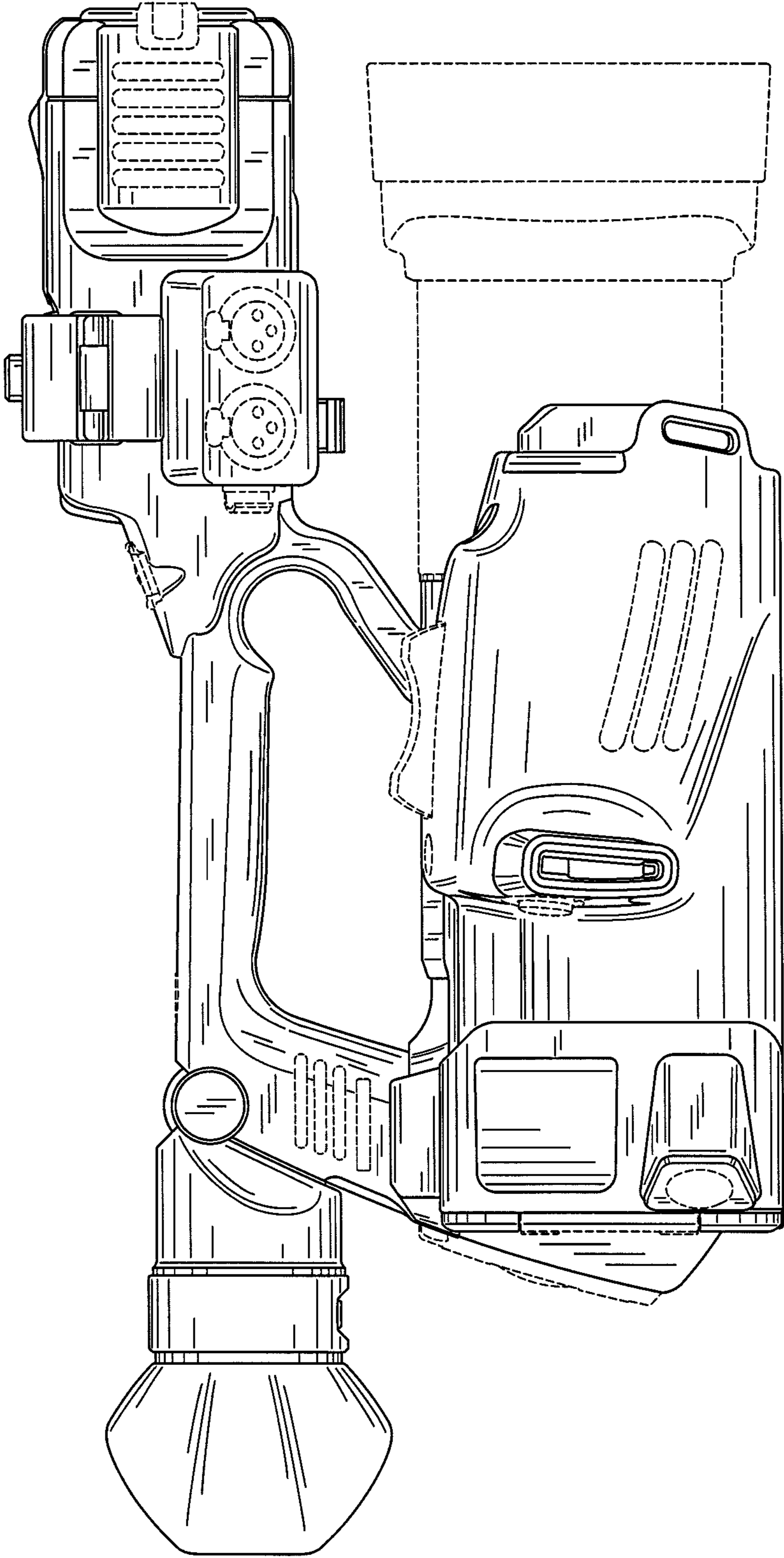


Fig.6

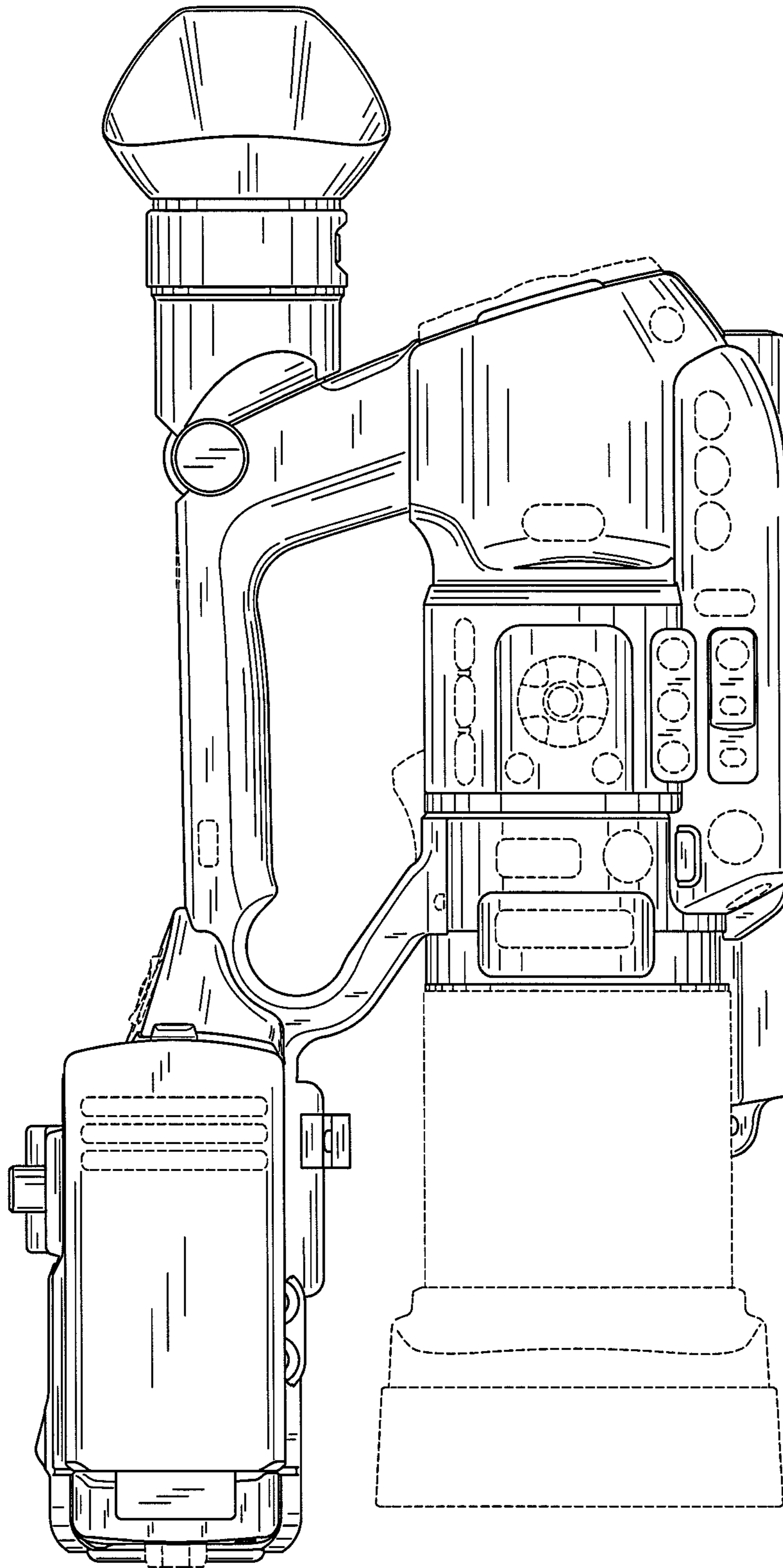


Fig.7

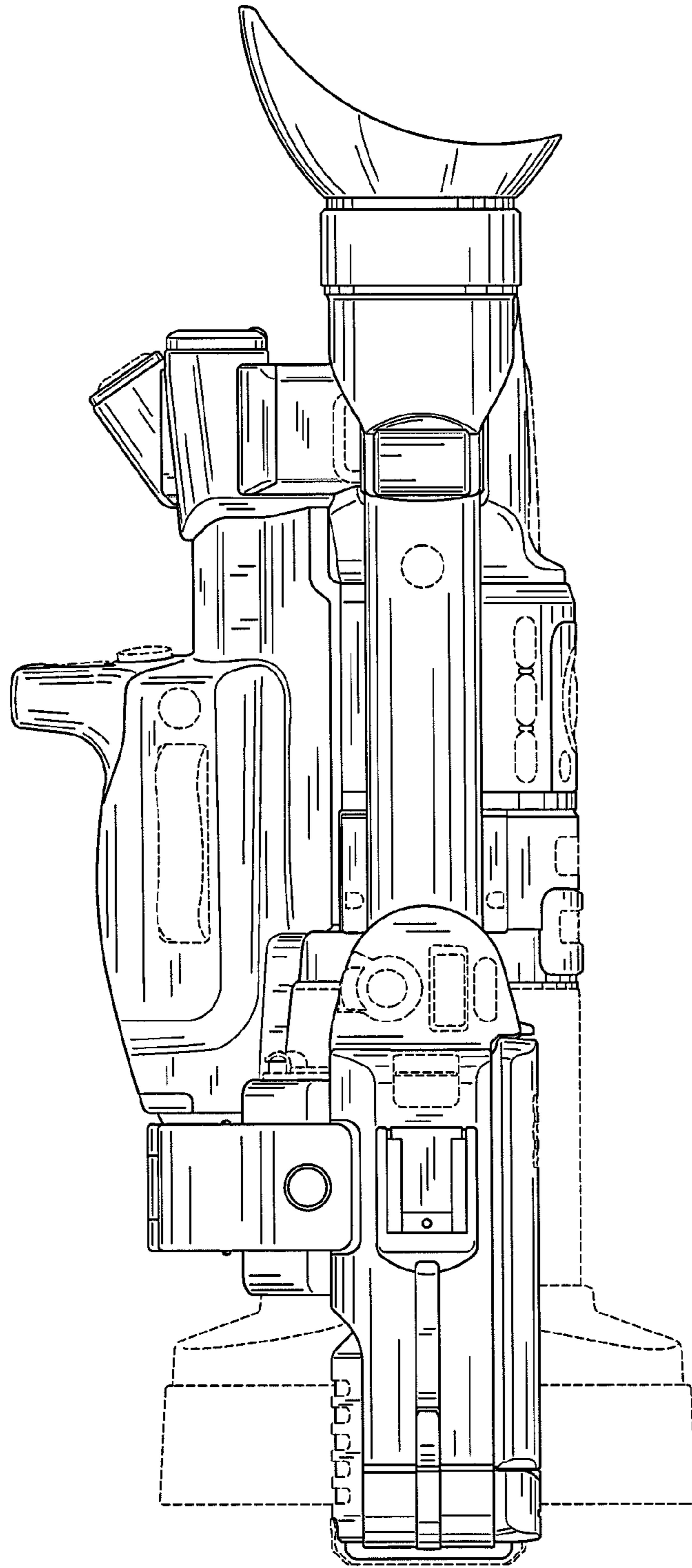


Fig.8

