

US00D693869S

(12) **United States Design Patent**  
**Asano**

(10) **Patent No.:** **US D693,869 S**

(45) **Date of Patent:** **\*\* Nov. 19, 2013**

(54) **CAMERA LENS**

(75) **Inventor:** **Hideaki Asano, Chiba (JP)**

(73) **Assignee:** **Nikon Corporation (JP)**

(\*\*) **Term:** **14 Years**

(21) **Appl. No.:** **29/415,236**

(22) **Filed:** **Mar. 8, 2012**

(30) **Foreign Application Priority Data**

Sep. 20, 2011 (JP) ..... 2011-021487

(51) **LOC (9) Cl.** ..... **16-05**

(52) **U.S. Cl.**  
USPC ..... **D16/219**

(58) **Field of Classification Search**  
USPC ..... D16/134, 136, 200, 202, 204, 209, 218,  
D16/219; 348/373, 374; 359/819, 826-828;  
396/529-532, 535, 540, 541  
See application file for complete search history.

(56) **References Cited**

**U.S. PATENT DOCUMENTS**

3,394,644	A	*	7/1968	Ettischer	.....	396/529
D223,215	S	*	3/1972	Takata	.....	D16/134
4,357,090	A	*	11/1982	Araki	.....	396/529
D302,984	S	*	8/1989	Kimura et al.	.....	D16/134
D331,589	S	*	12/1992	Yamamoto	.....	D16/134
D341,611	S	*	11/1993	Takahashi	.....	D16/219
D362,007	S	*	9/1995	Takahashi	.....	D16/134

D428,428	S	*	7/2000	Ono	.....	D16/134
D566,158	S	*	4/2008	Yasutomi	.....	D16/219
D664,580	S	*	7/2012	Sigward	.....	D16/219

**FOREIGN PATENT DOCUMENTS**

JP	D1293312	2/2007
JP	D1293871	2/2007
JP	D1293872	2/2007

\* cited by examiner

*Primary Examiner* — Adir Aronovich

(74) *Attorney, Agent, or Firm* — Schwegman, Lundberg & Woessner, P.A.

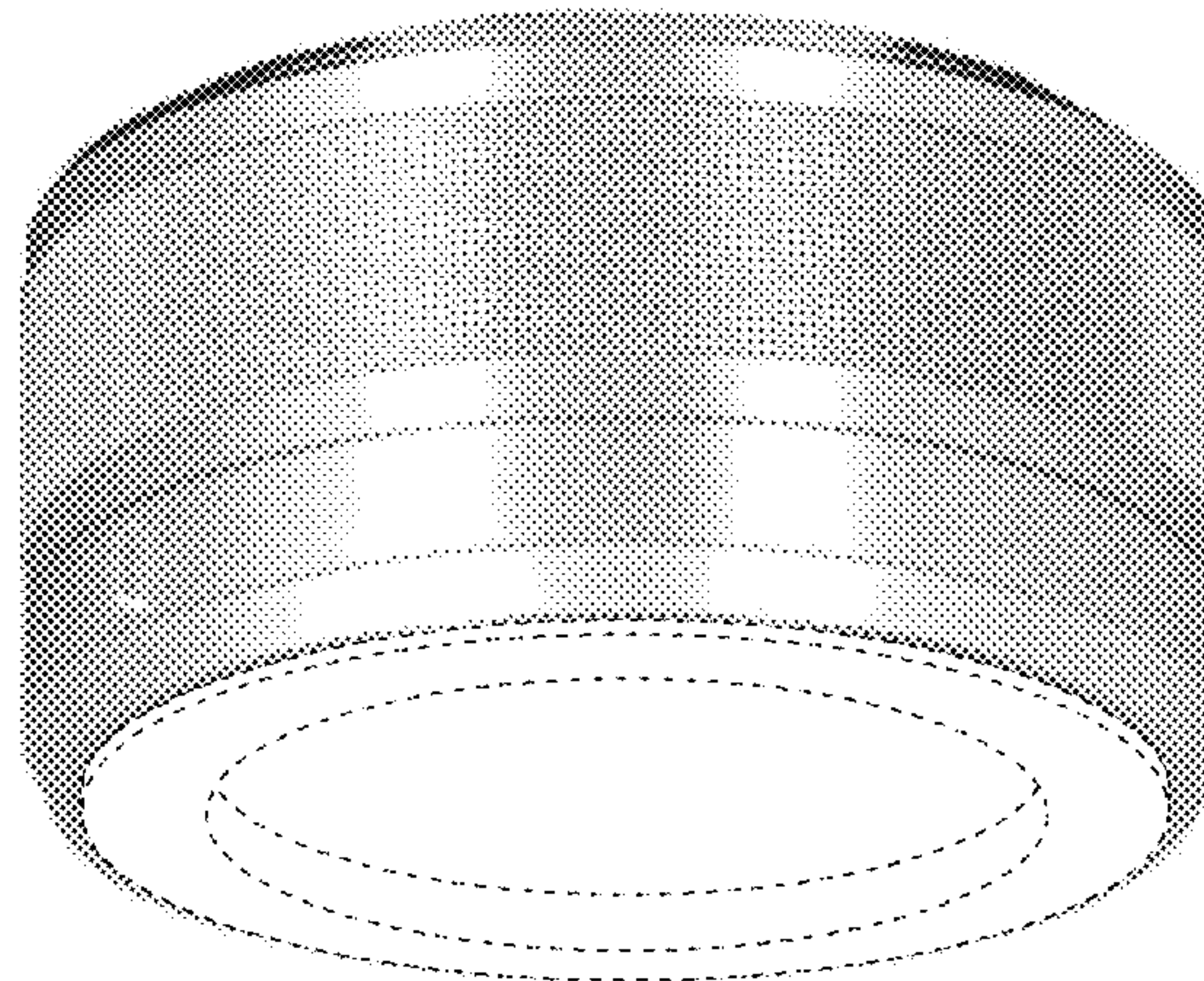
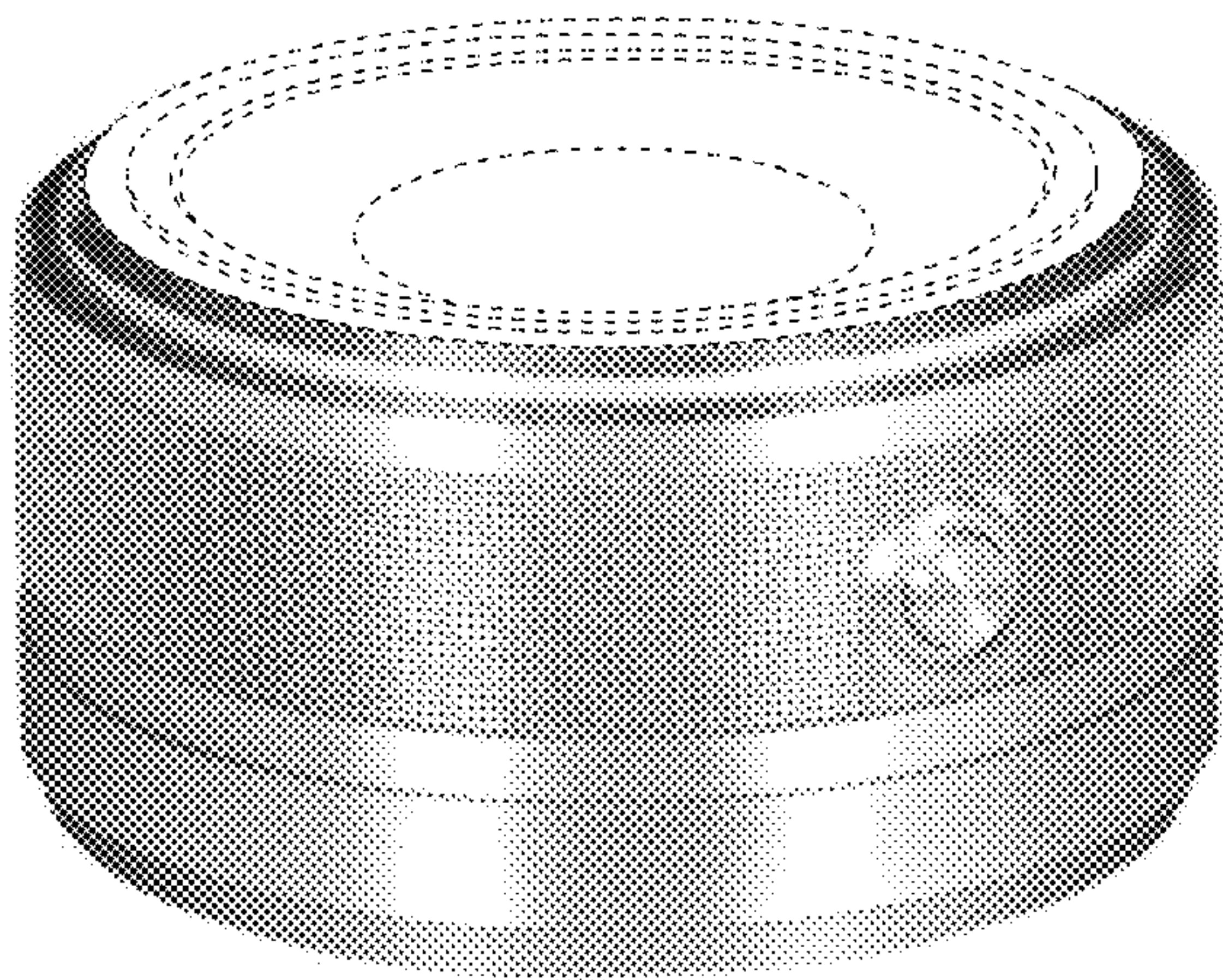
(57) **CLAIM**

The ornamental design for a camera lens, as shown and described.

**DESCRIPTION**

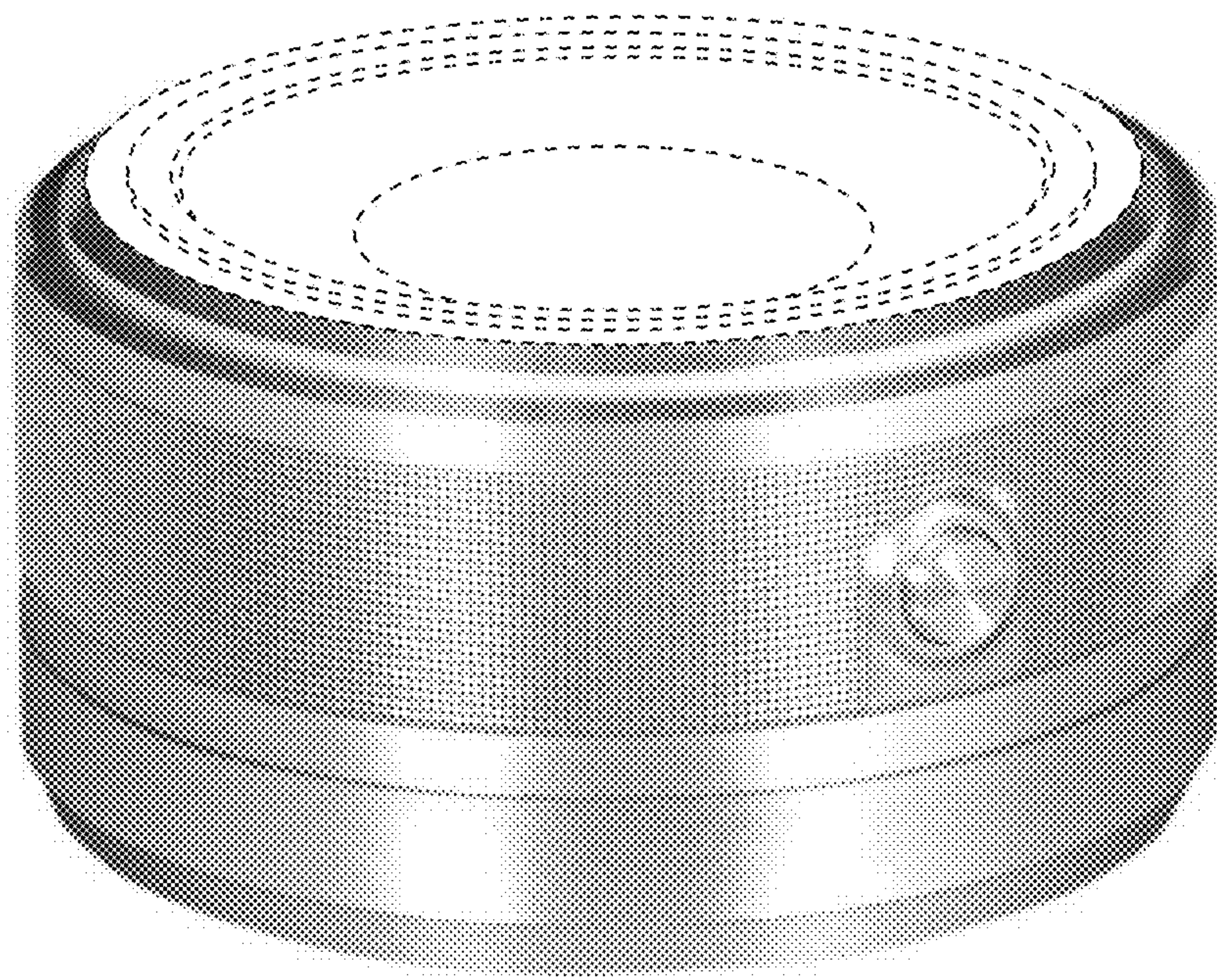
FIG. 1 is a top perspective view of a camera lens showing my new design;  
FIG. 2 is a bottom perspective view of the camera lens;  
FIG. 3 is a front elevation view of the camera lens;  
FIG. 4 is a rear elevation view of the camera lens;  
FIG. 5 is a top plan view of the camera lens;  
FIG. 6 is a bottom plan view of the camera lens;  
FIG. 7 is a right side elevation view of the camera lens; and,  
FIG. 8 is a left side elevation view of the camera lens.  
The broken lines depict environmental subject matter only and form no part of the claimed design.

**1 Claim, 6 Drawing Sheets**

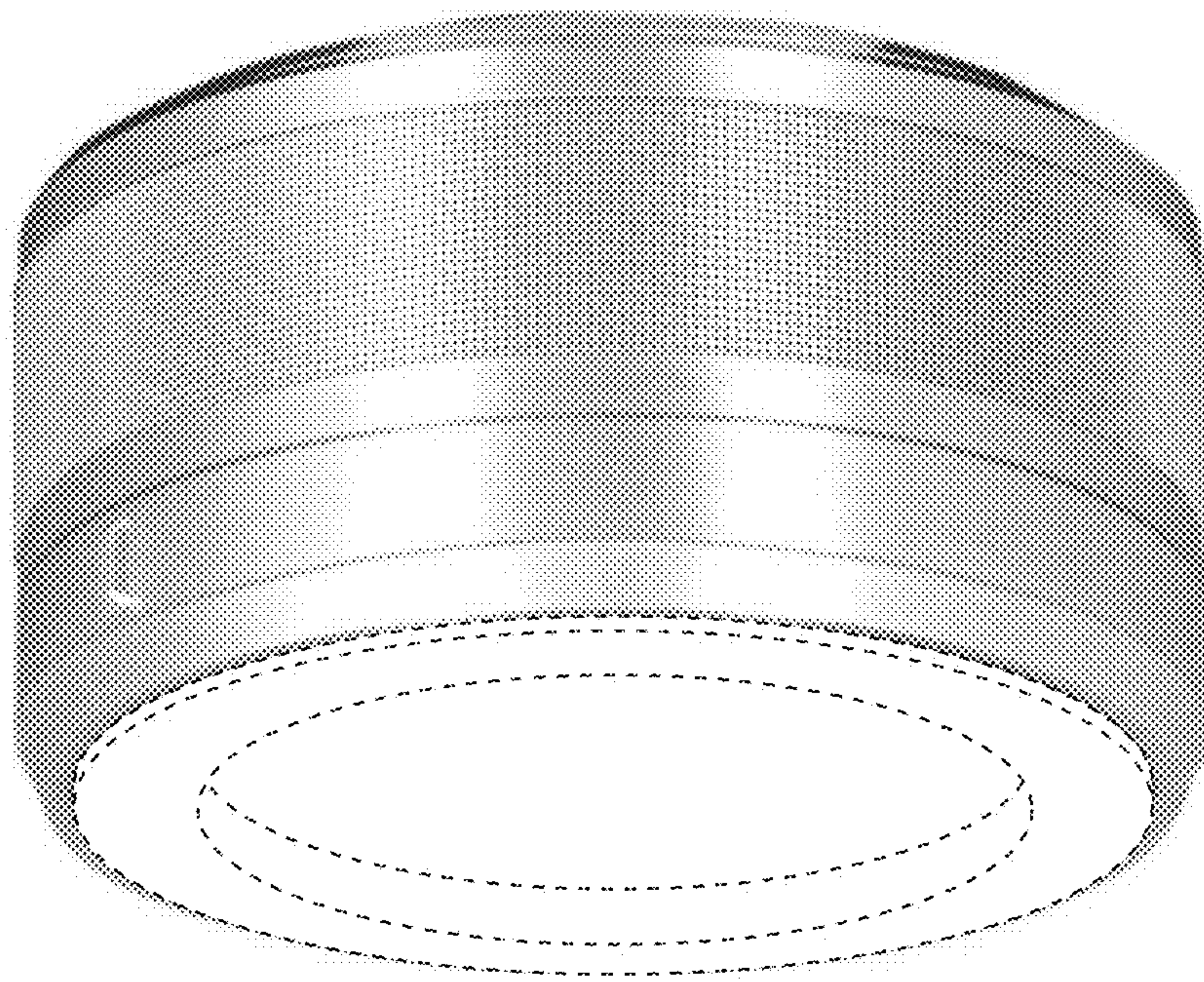




*FIG. 1*

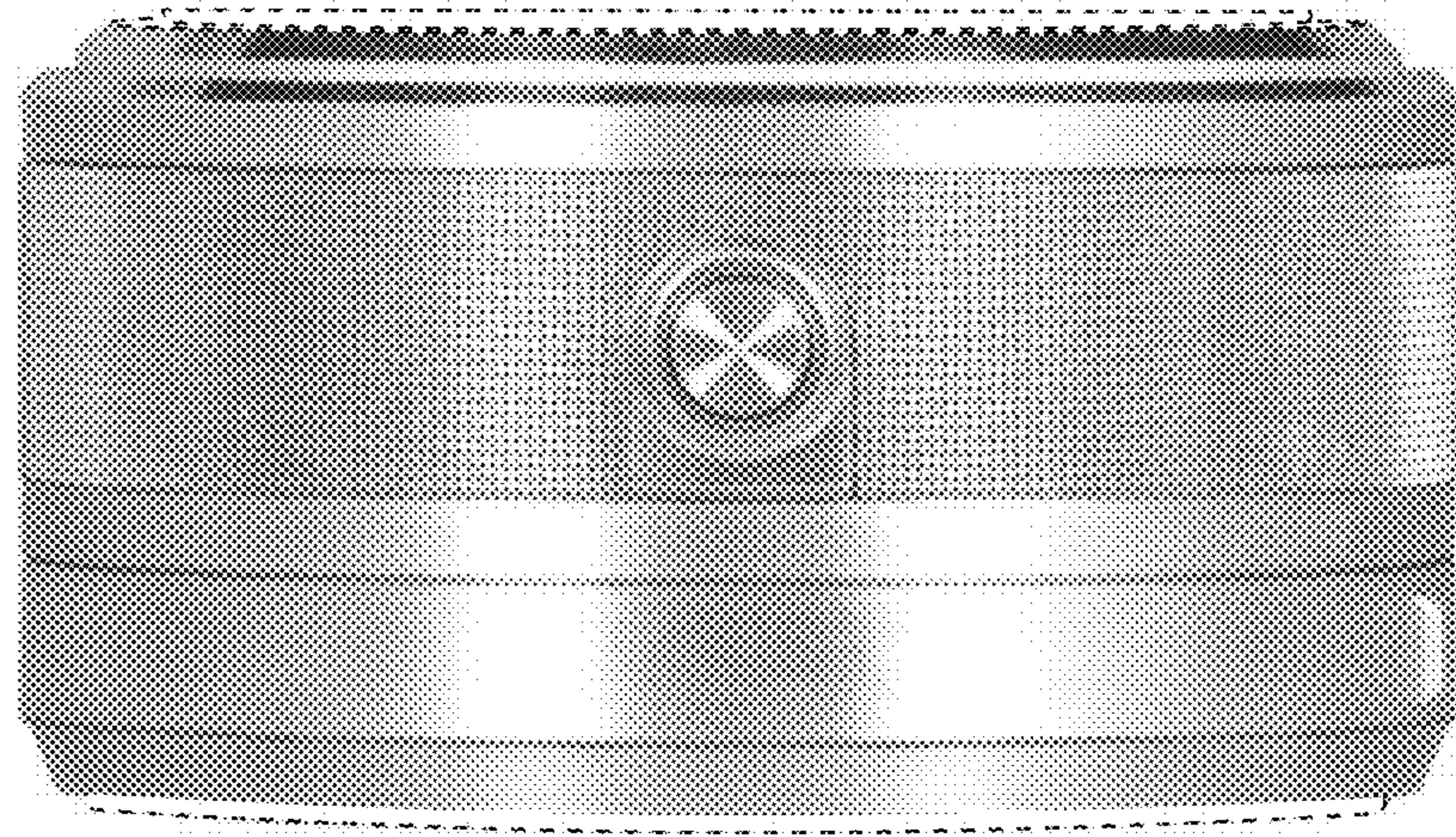


*FIG. 2*

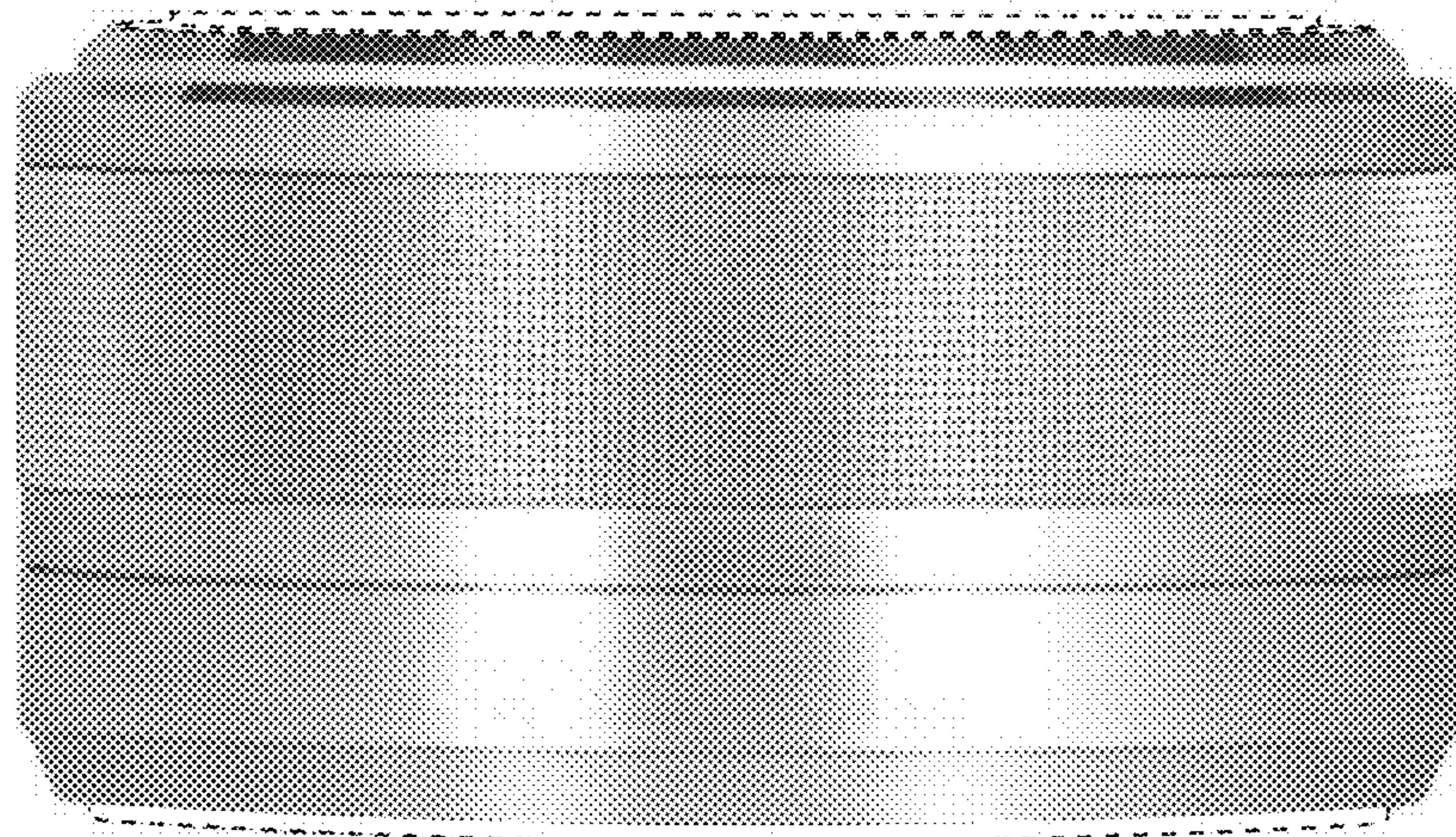




*FIG. 3*

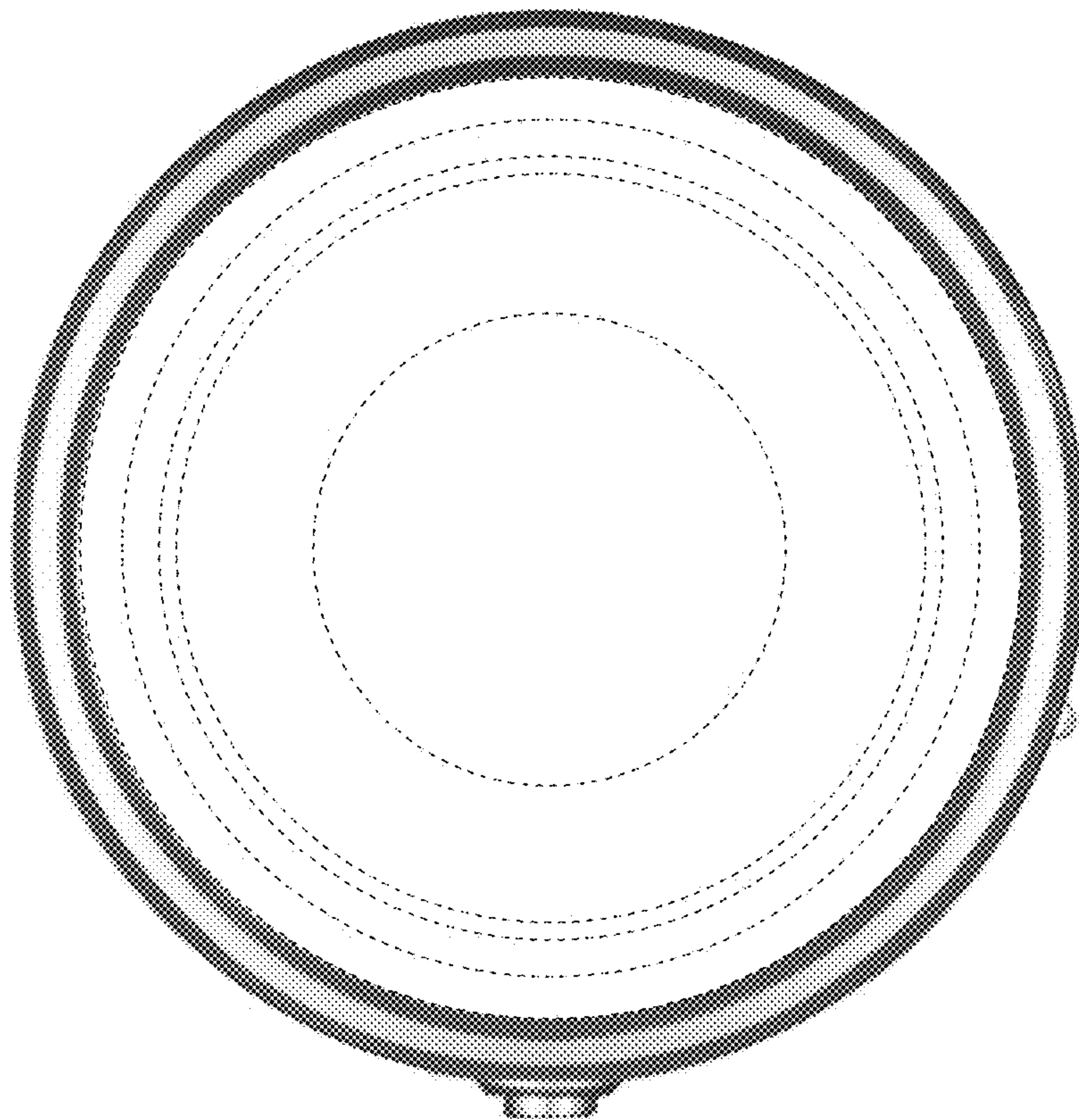


*FIG. 4*

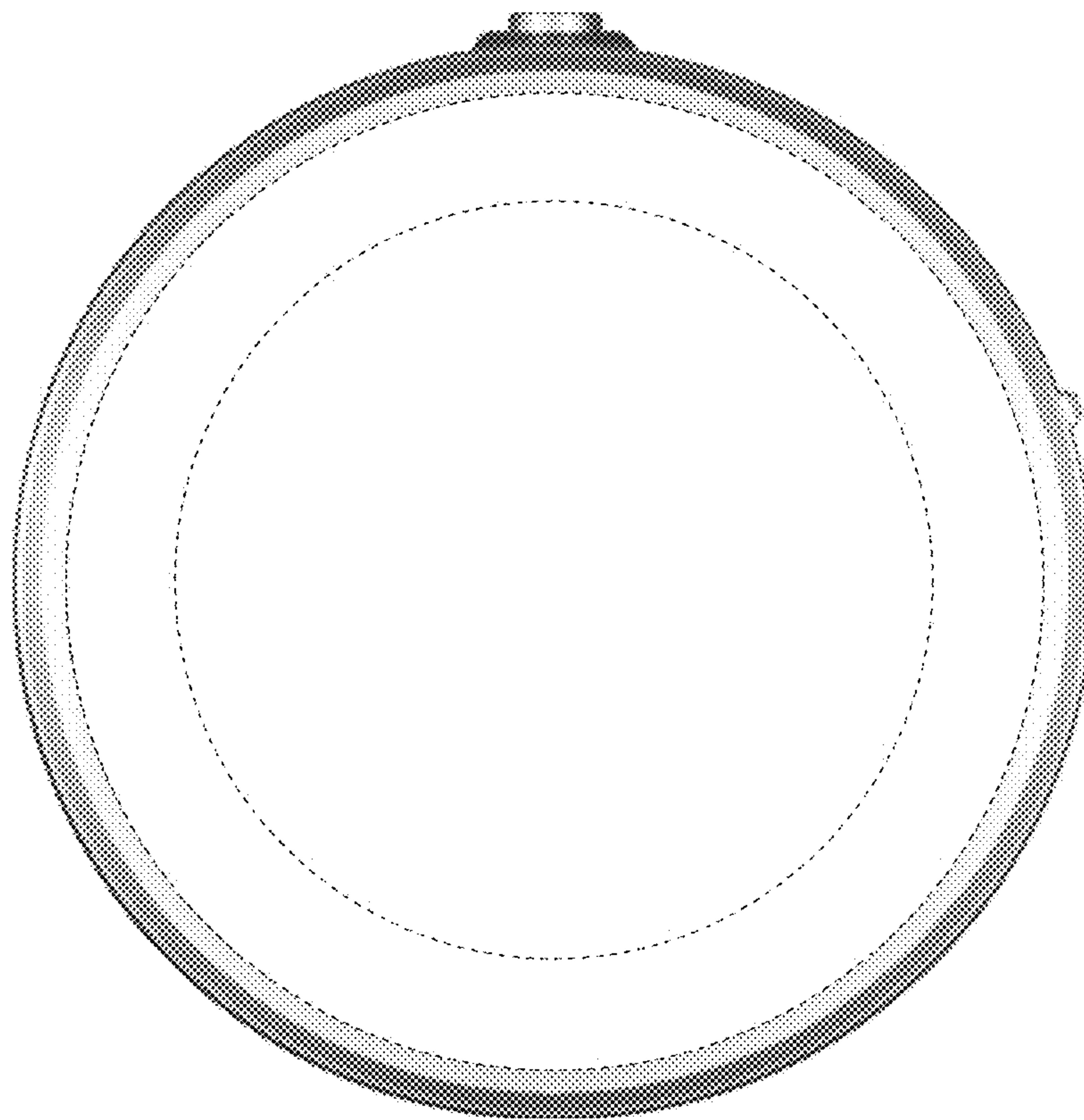




*FIG. 5*

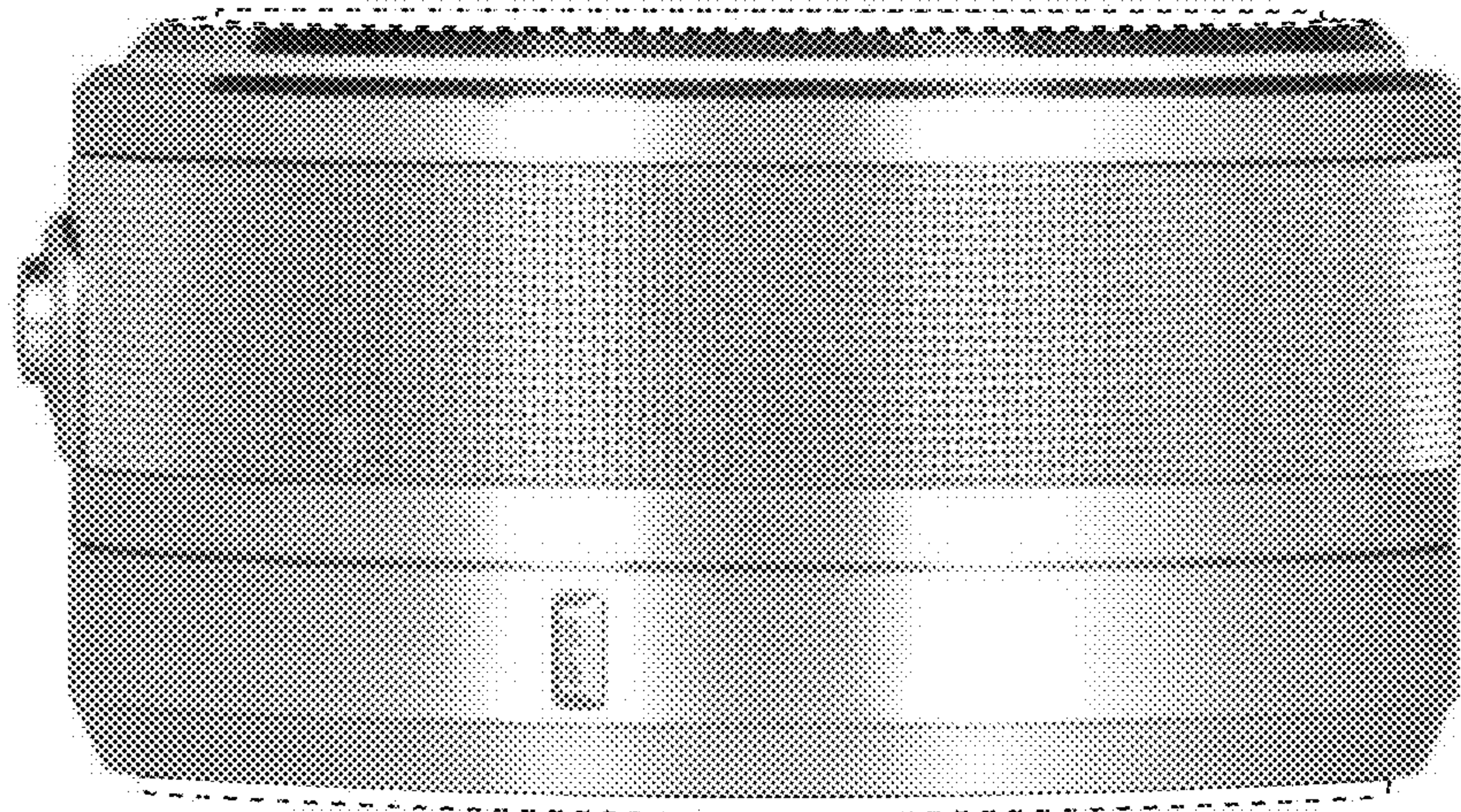


*FIG. 6*

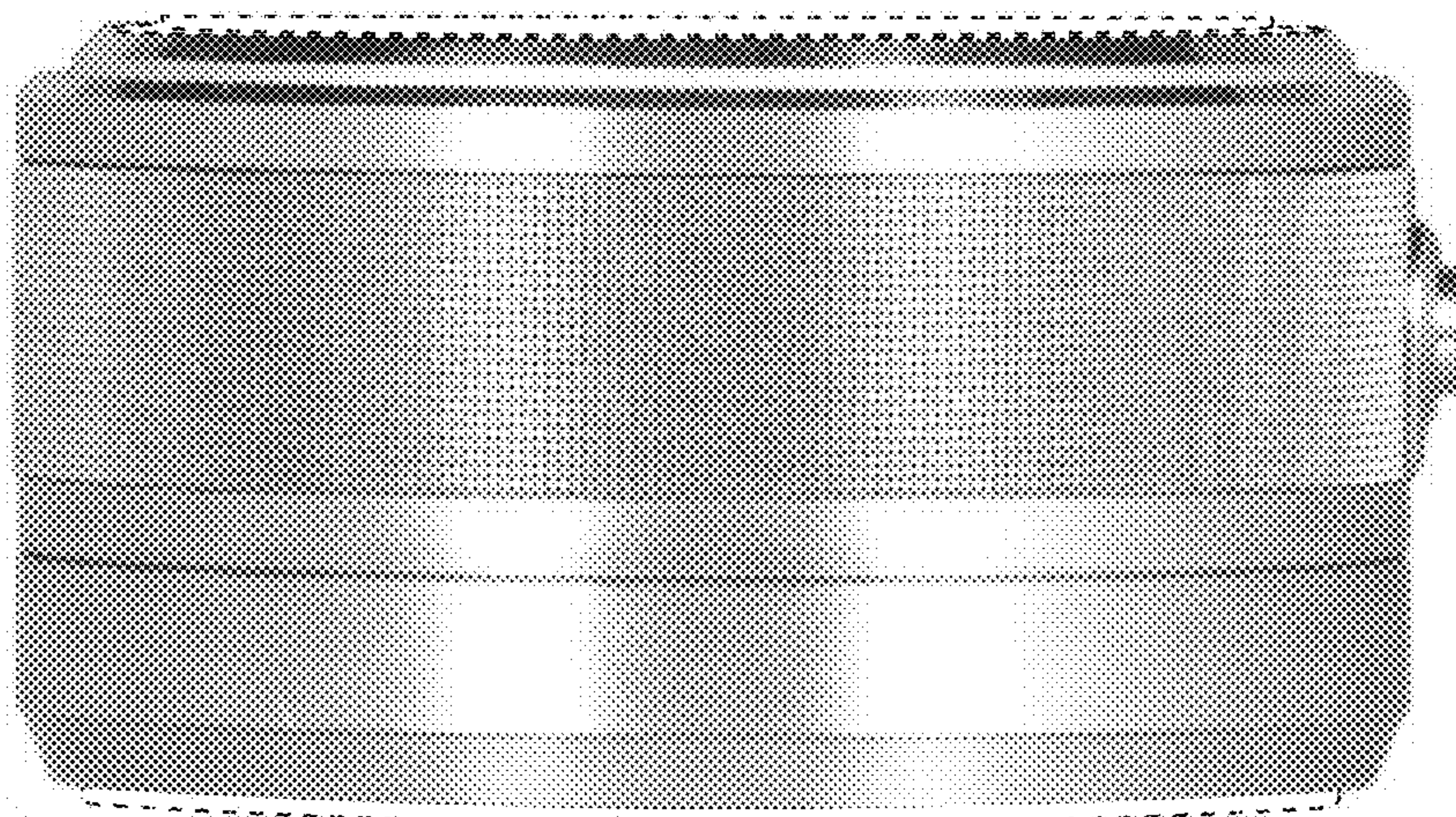




*FIG. 7*



*FIG. 8*



UNITED STATES PATENT AND TRADEMARK OFFICE  
**CERTIFICATE OF CORRECTION**

PATENT NO. : D693,869 S  
APPLICATION NO. : 29/415236  
DATED : November 19, 2013  
INVENTOR(S) : Hideaki Asano

Page 1 of 1

It is certified that error appears in the above-identified patent and that said Letters Patent is hereby corrected as shown below:

On the title page, in column 2, under Item “(57) Claim”, line 1, delete “lens,” and insert --lens--,  
therefor

On the title page, in column 2, under Item “Description”, line 8, delete “and,” and insert --and--,  
therefor

Signed and Sealed this  
Twenty-sixth Day of August, 2014



Michelle K. Lee  
*Deputy Director of the United States Patent and Trademark Office*