



US00D693867S

(12) **United States Design Patent**
Radau et al.

(10) **Patent No.:** **US D693,867 S**

(45) **Date of Patent:** **** Nov. 19, 2013**

(54) **BINOCULAR**

(71) Applicant: **Carl Zeiss Sports Optics GmbH,**
Wetzlar (DE)

(72) Inventors: **Nils Radau, Salzburg (AT); Jana**
Geissler, Salzburg (AT)

(73) Assignee: **Carl Zeiss Sports Optics GmbH,**
Wetzlar (DE)

(**) Term: **14 Years**

(21) Appl. No.: **29/436,132**

(22) Filed: **Nov. 1, 2012**

(51) **LOC (9) Cl.** **16-06**

(52) **U.S. Cl.**
USPC **D16/133**

(58) **Field of Classification Search**
USPC **D16/133, 130; 359/407-419, 480**
See application file for complete search history.

(56) **References Cited**

U.S. PATENT DOCUMENTS

4,329,013	A	*	5/1982	Hengst	359/418
4,848,887	A	*	7/1989	Addy et al.	359/413
D359,972	S	*	7/1995	Takahashi	D16/133
D361,777	S	*	8/1995	Akabane et al.	D16/133
D381,669	S	*	7/1997	Hashimoto et al.	D16/133
5,777,785	A	*	7/1998	Ishikawa	359/425
D412,177	S	*	7/1999	Fujii	D16/133
6,266,185	B1	*	7/2001	Miller et al.	359/407
D470,160	S	*	2/2003	Meinzer	D16/133
D479,256	S	*	9/2003	Matsushita	D16/133
D486,507	S	*	2/2004	Fujii	D16/133
D492,335	S	*	6/2004	Watanabe	D16/133
D492,711	S	*	7/2004	Watanabe	D16/133
D519,538	S	*	4/2006	Hayamizu	D16/133
D575,315	S	*	8/2008	Inaba	D16/133

D579,472	S	*	10/2008	Yanagisawa	D16/133
D590,855	S	*	4/2009	Watanabe	D16/133
D602,059	S	*	10/2009	Inaba	D16/133
D605,211	S	*	12/2009	Holbl	D16/133
D621,431	S	*	8/2010	Holbl	D16/133
D627,378	S	*	11/2010	Watanabe	D16/133
D646,311	S	*	10/2011	Hoelbl	D16/133
D681,709	S	*	5/2013	Radau et al.	D16/133
D684,202	S	*	6/2013	Radau et al.	D16/133
D687,081	S	*	7/2013	Radau et al.	D16/133

* cited by examiner

Primary Examiner — Paula Greene

(74) *Attorney, Agent, or Firm* — Walter Ottesen P.A.

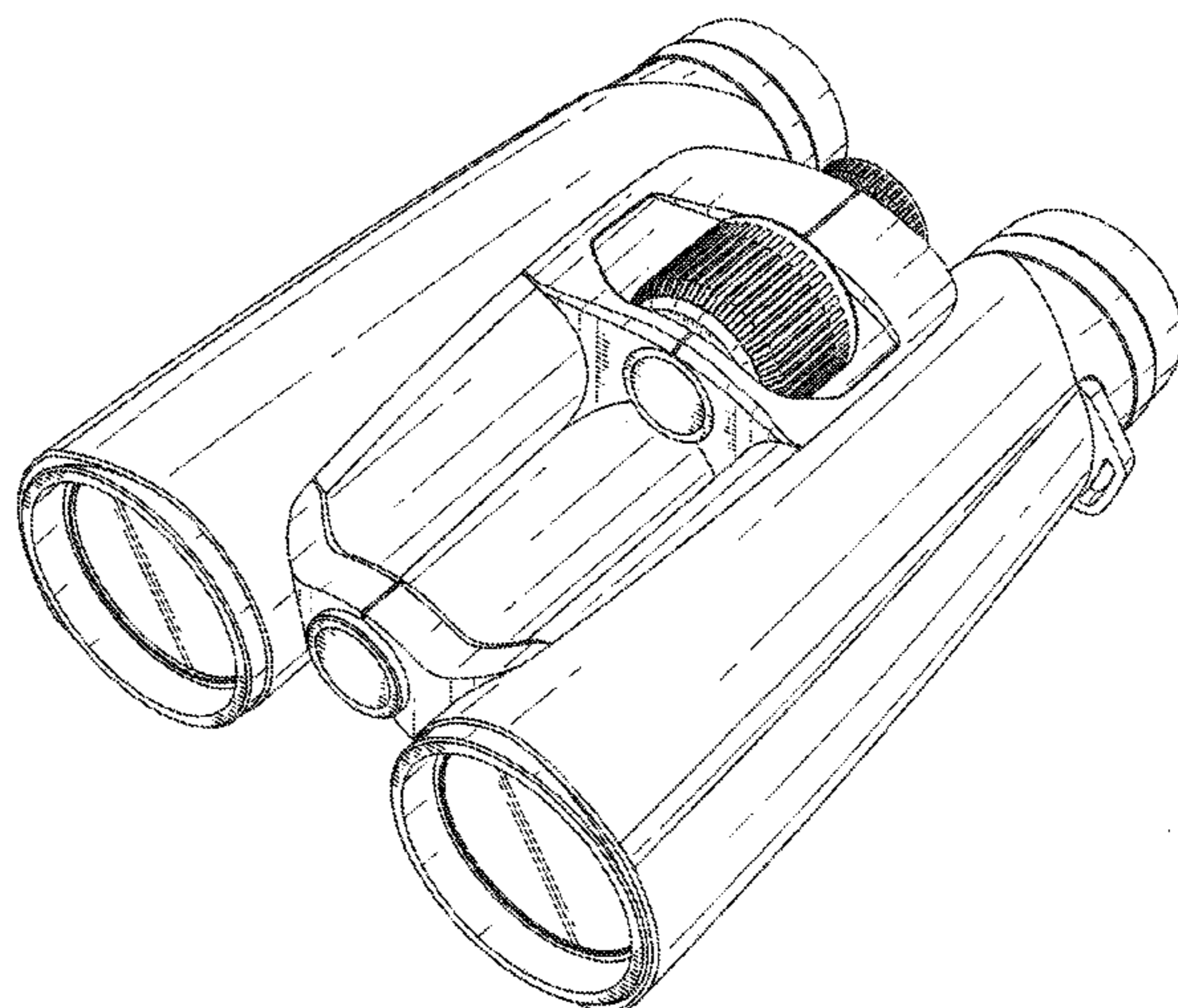
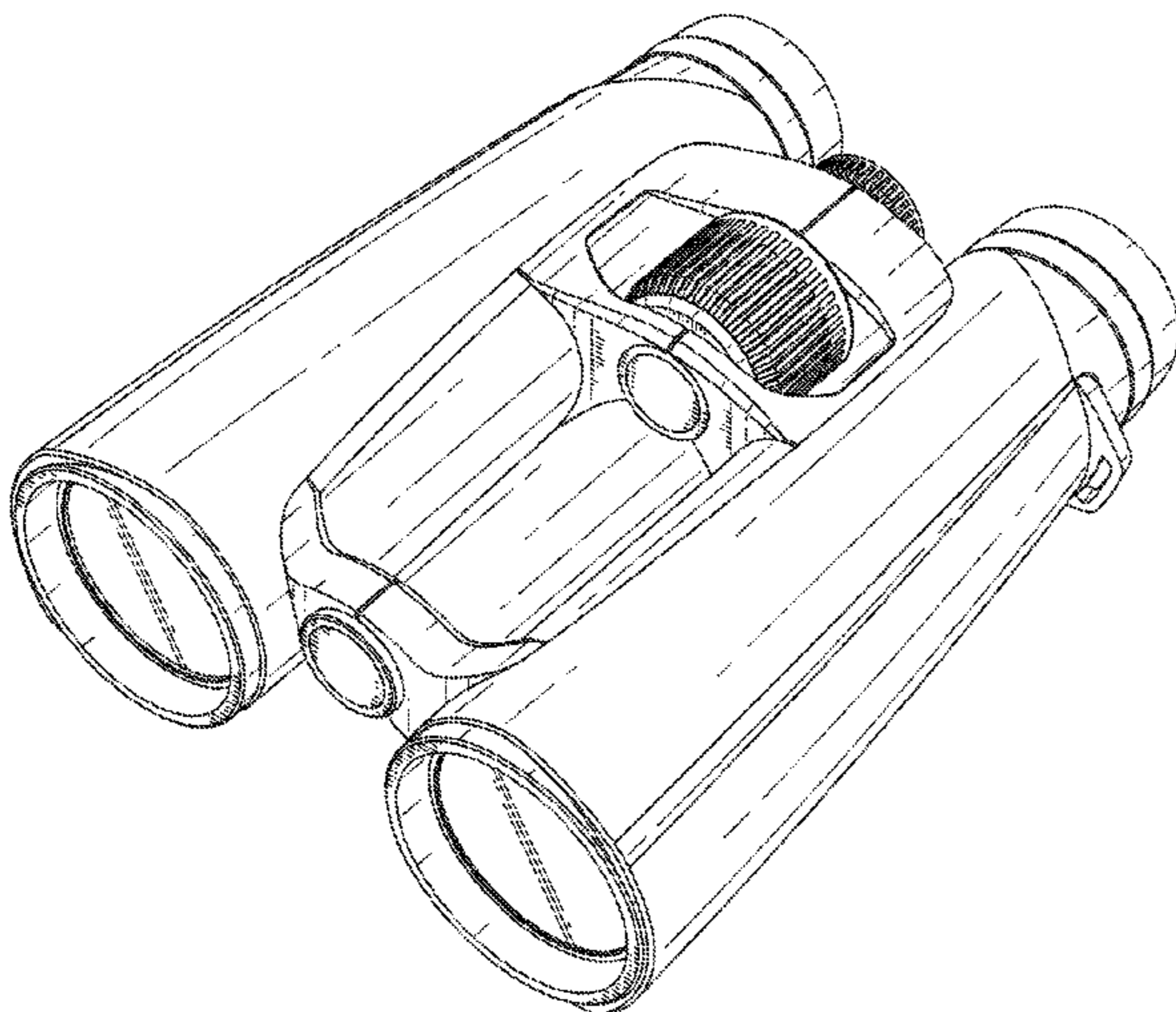
(57) **CLAIM**

The ornamental design for a binocular, as shown and described.

DESCRIPTION

FIG. 1 is a perspective view of a first embodiment of the binocular of our new design;
 FIG. 2 is a rear elevation view of the binocular of FIG. 1;
 FIG. 3 is a left side elevation view of the binocular of FIG. 1;
 FIG. 4 is a top plan view of the binocular of FIG. 1;
 FIG. 5 is a right side elevation view of the binocular of FIG. 1;
 FIG. 6 is a bottom plan view of the binocular of FIG. 1;
 FIG. 7 is a front elevation view of the binocular of FIG. 1;
 FIG. 8 is a perspective view of a second embodiment of the binocular of our new design;
 FIG. 9 is a rear elevation view of the binocular of FIG. 8;
 FIG. 10 is a left side elevation view of the binocular of FIG. 8;
 FIG. 11 is a top plan view of the binocular of FIG. 8;
 FIG. 12 is a right side elevation view of the binocular of FIG. 8;
 FIG. 13 is a bottom plan view of the binocular of FIG. 8; and,
 FIG. 14 is a front elevation view of the binocular of FIG. 8.

1 Claim, 14 Drawing Sheets



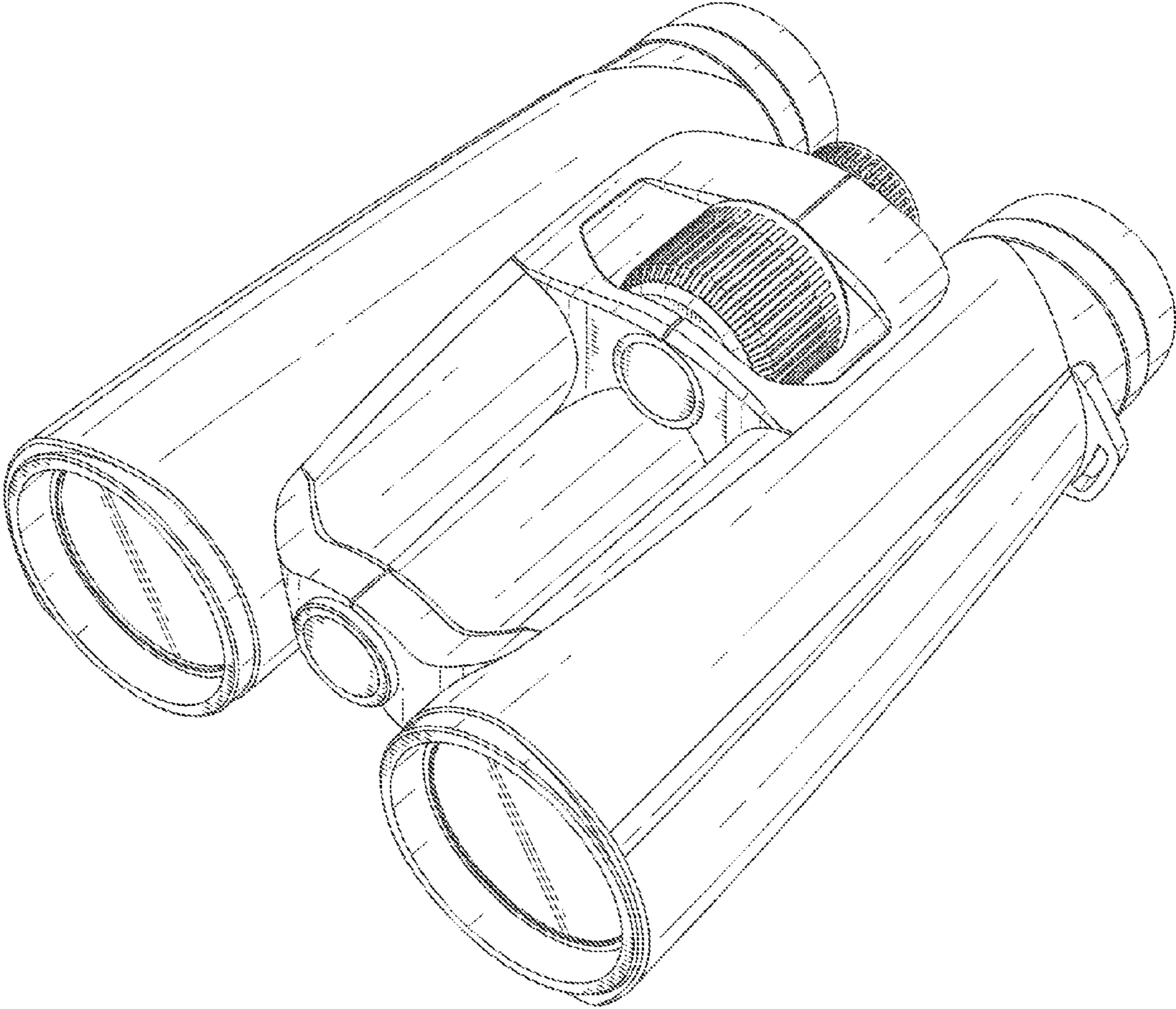


FIG. 1

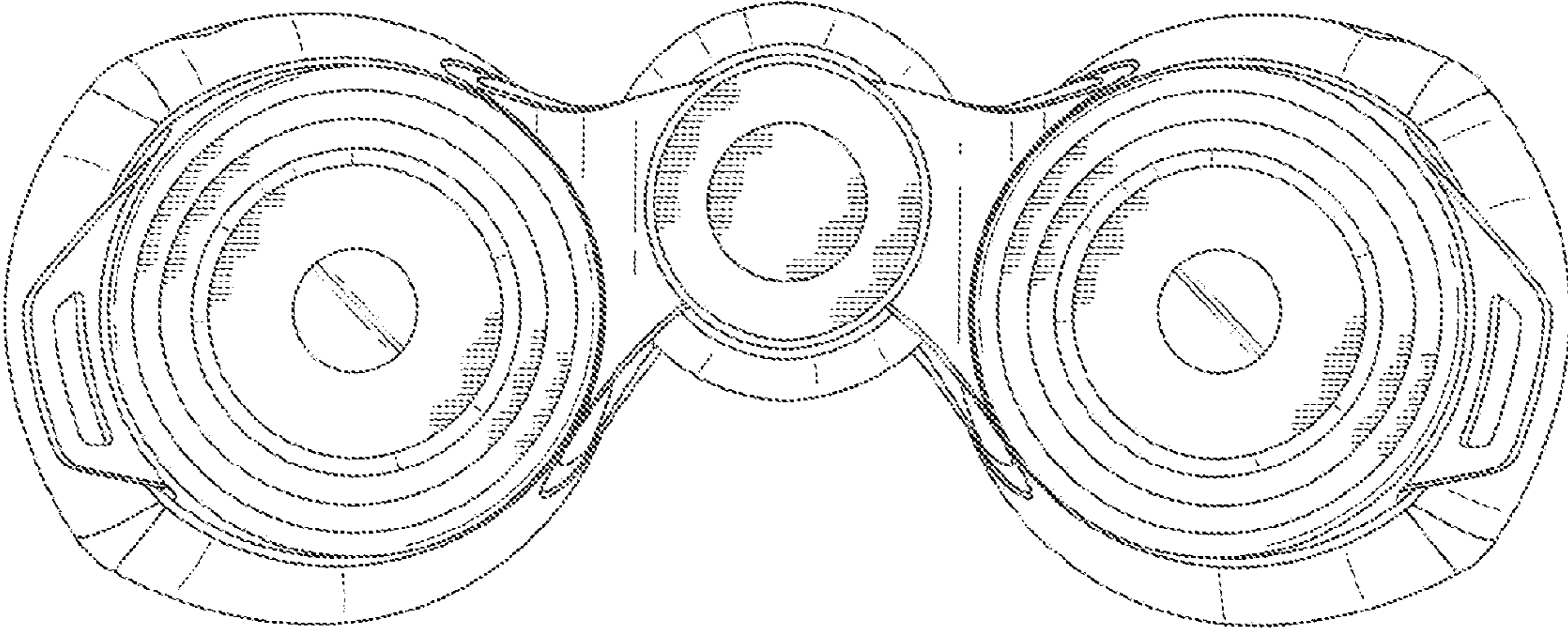


FIG. 2

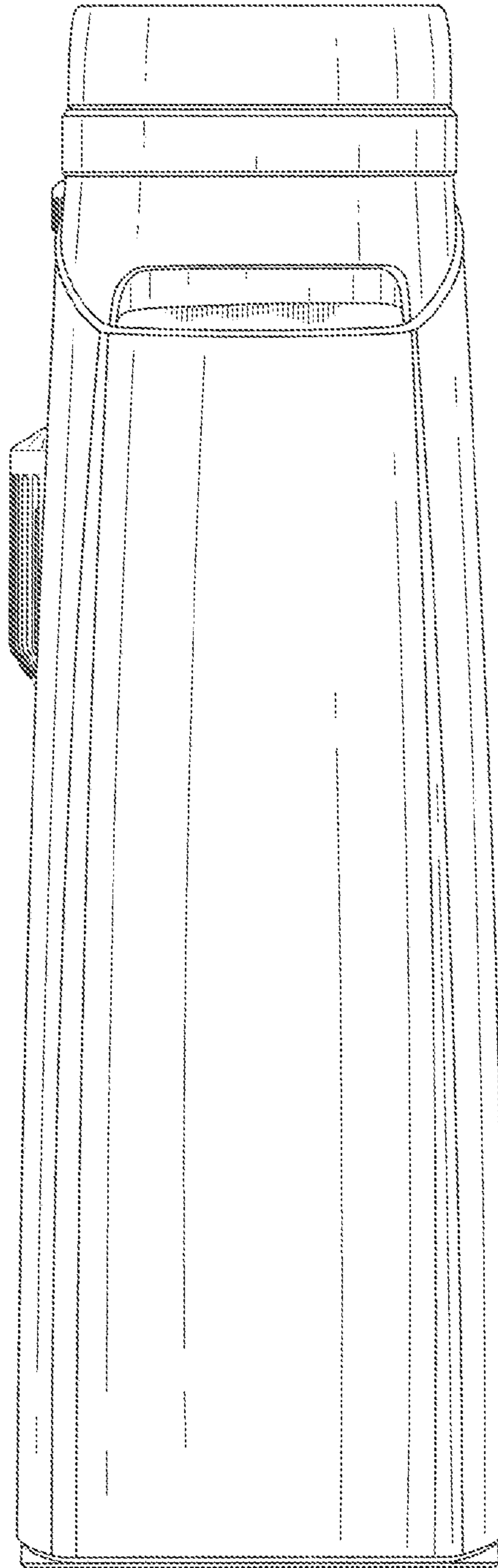


FIG. 3

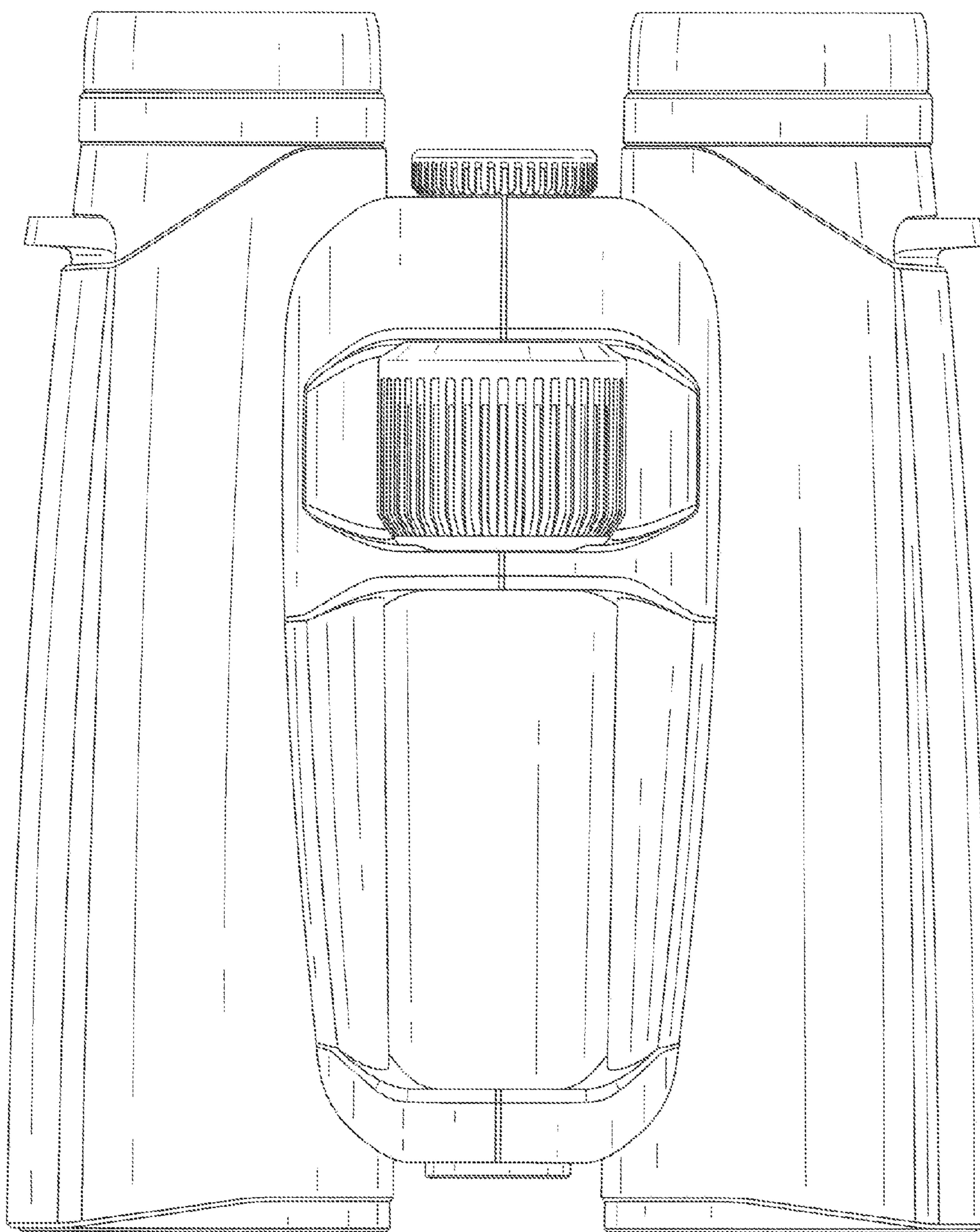


FIG. 4

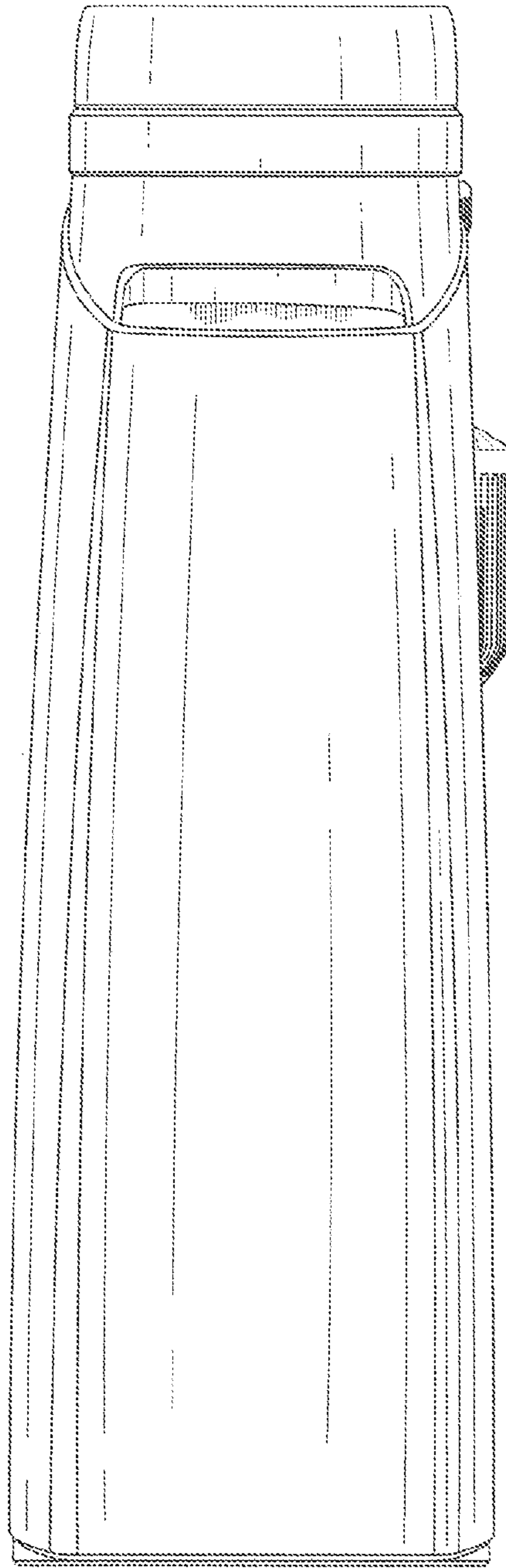


FIG. 5

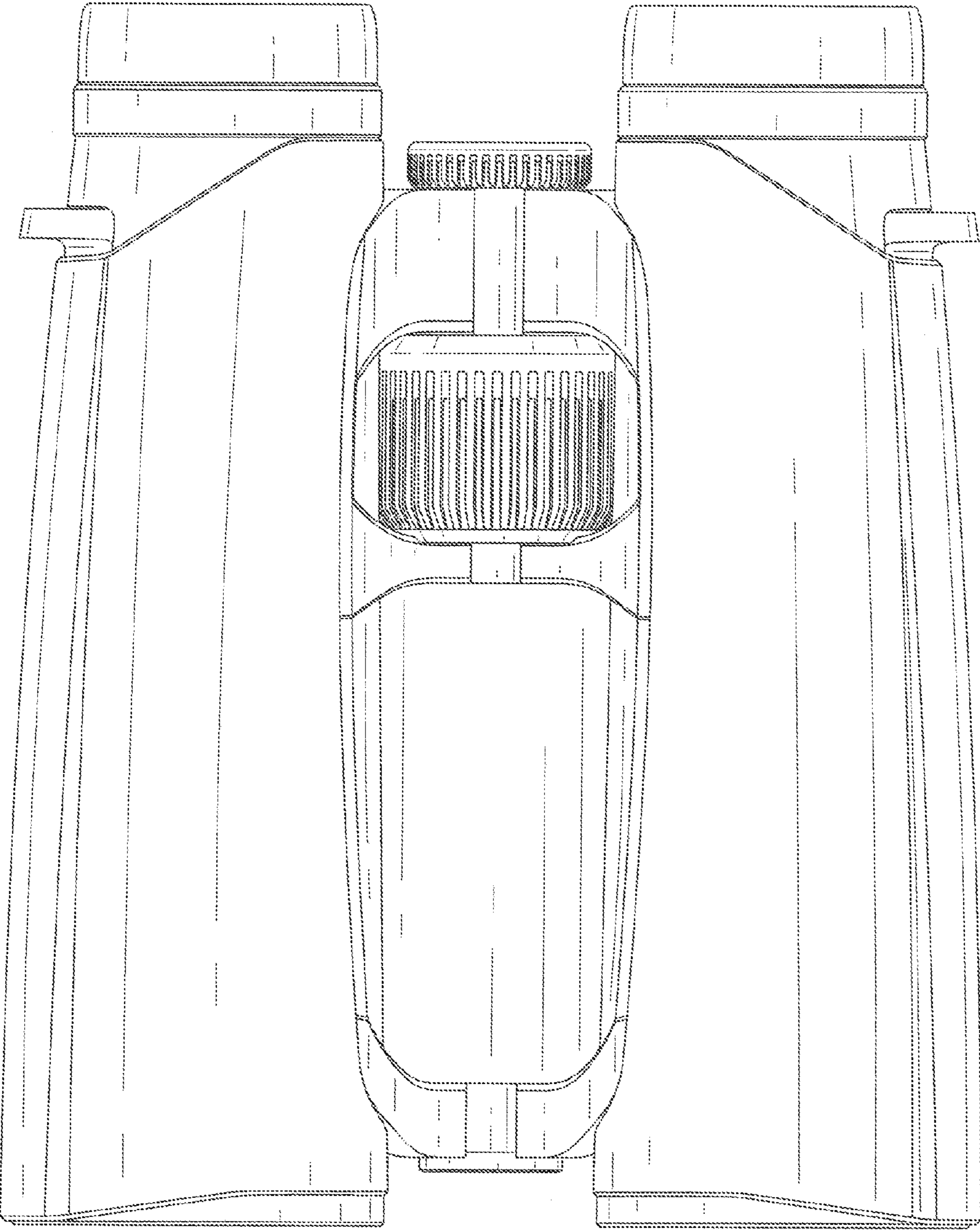


FIG. 6

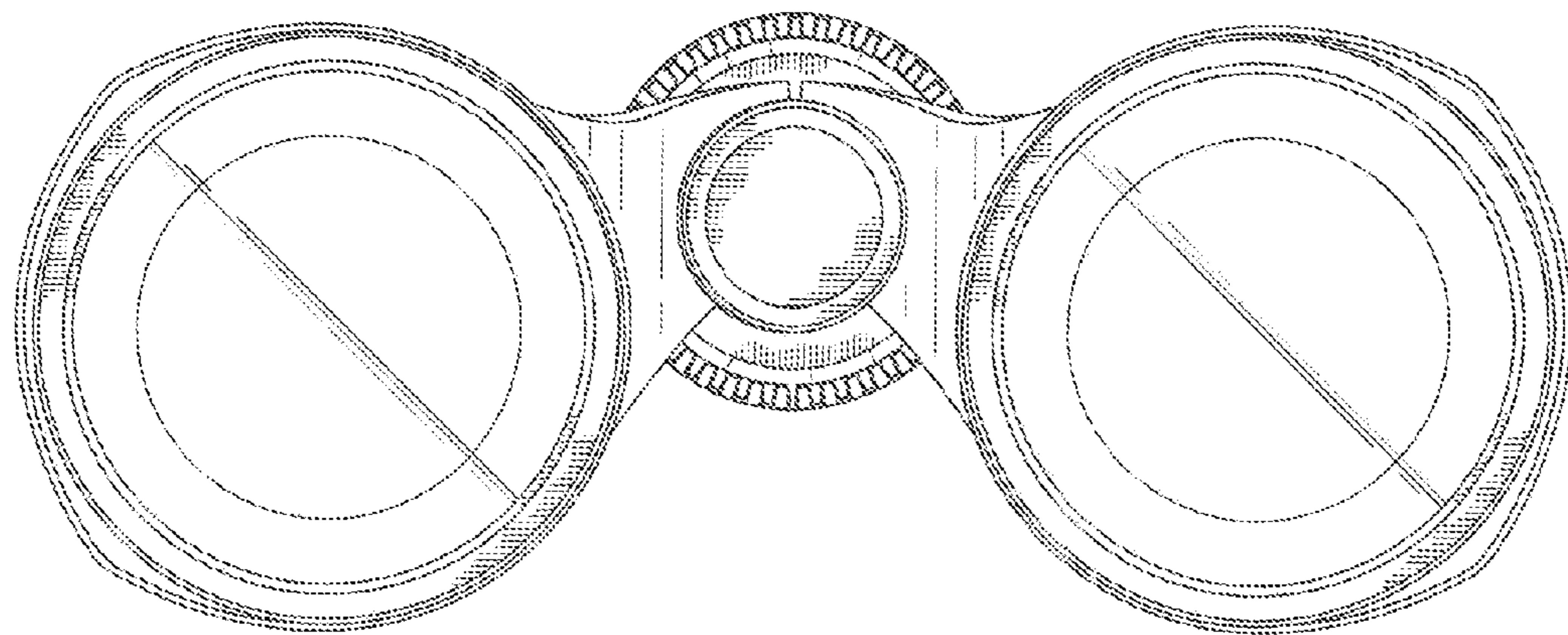


FIG. 7

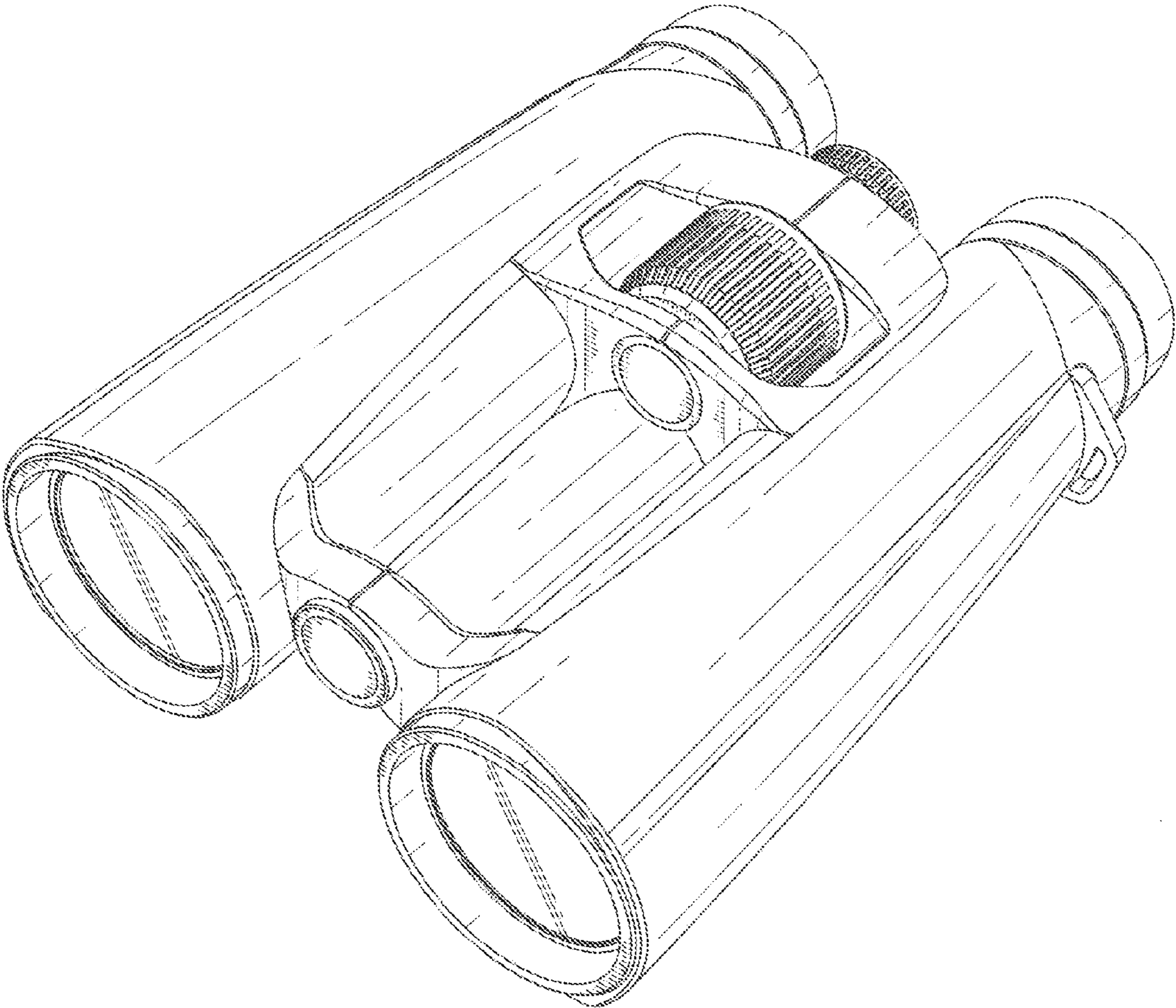


FIG. 8

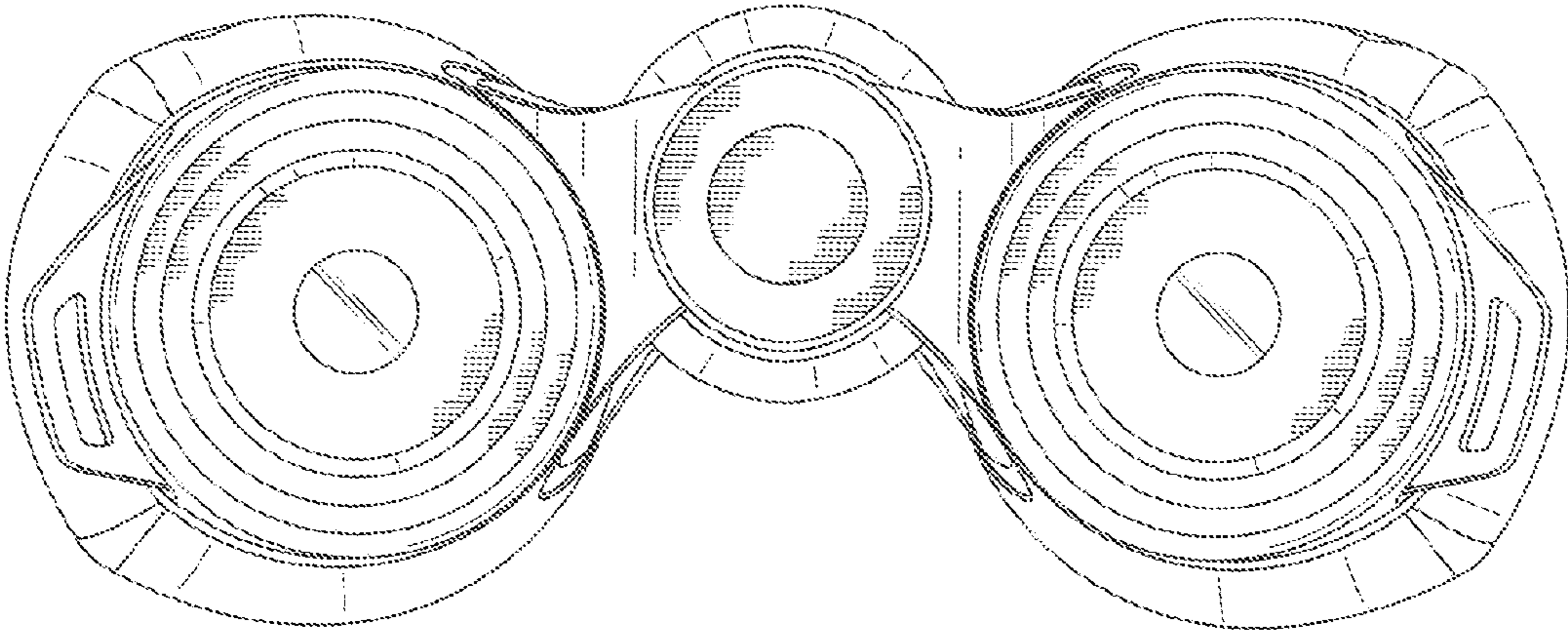


FIG. 9

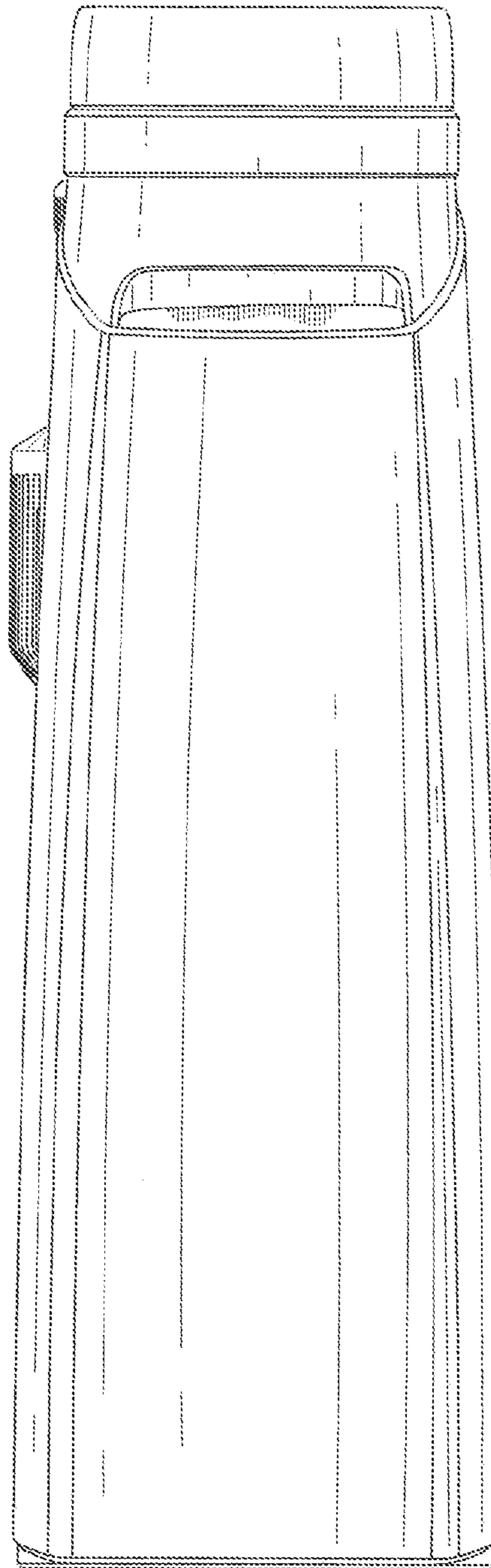


FIG. 10

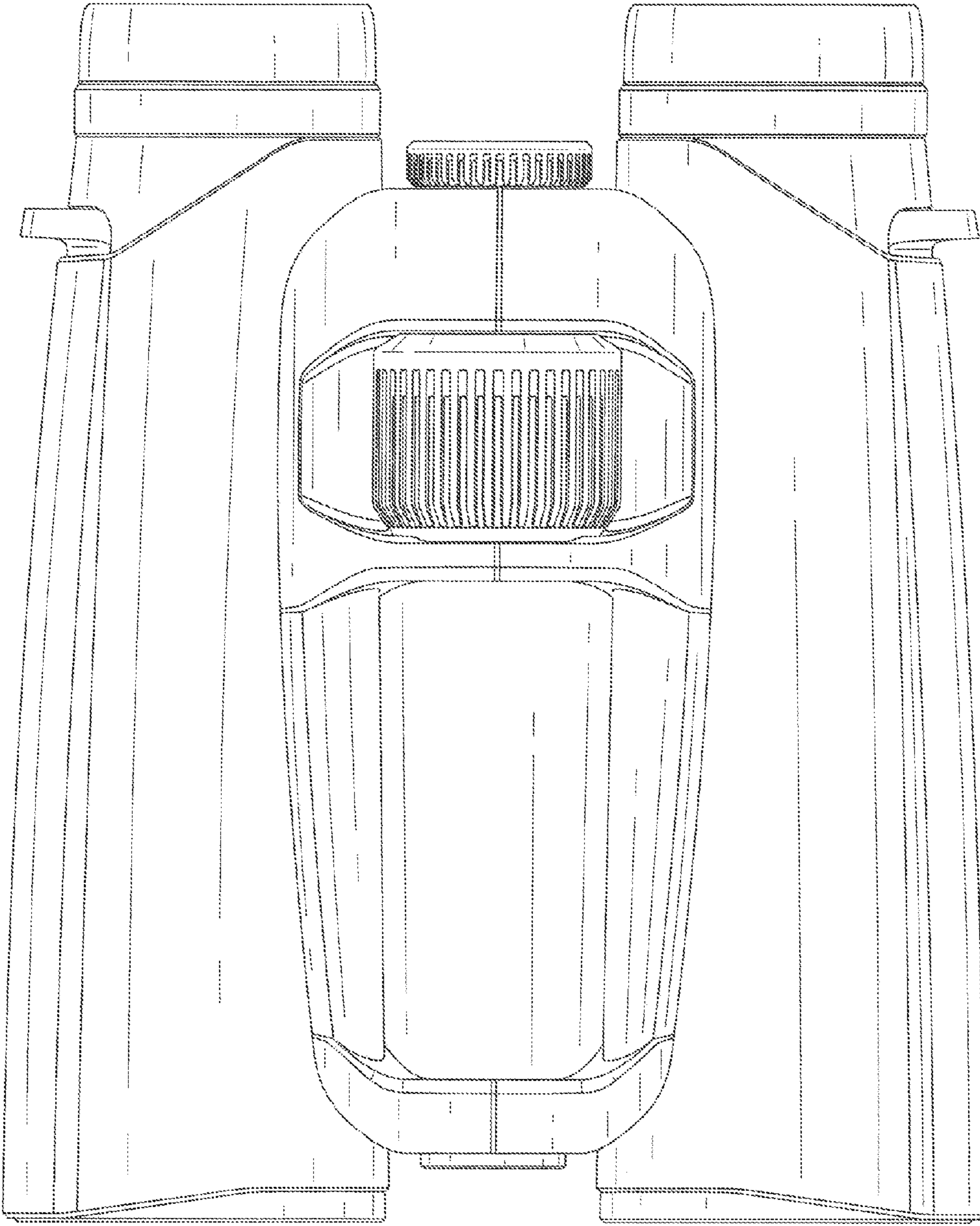


FIG. 11

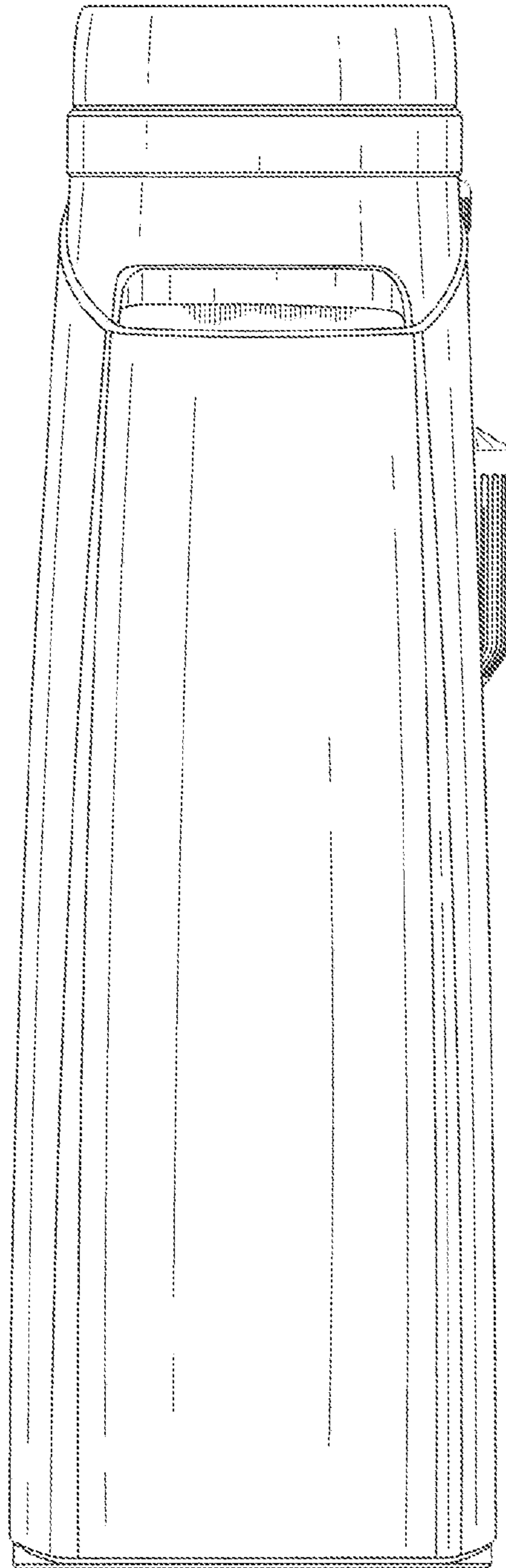


FIG. 12

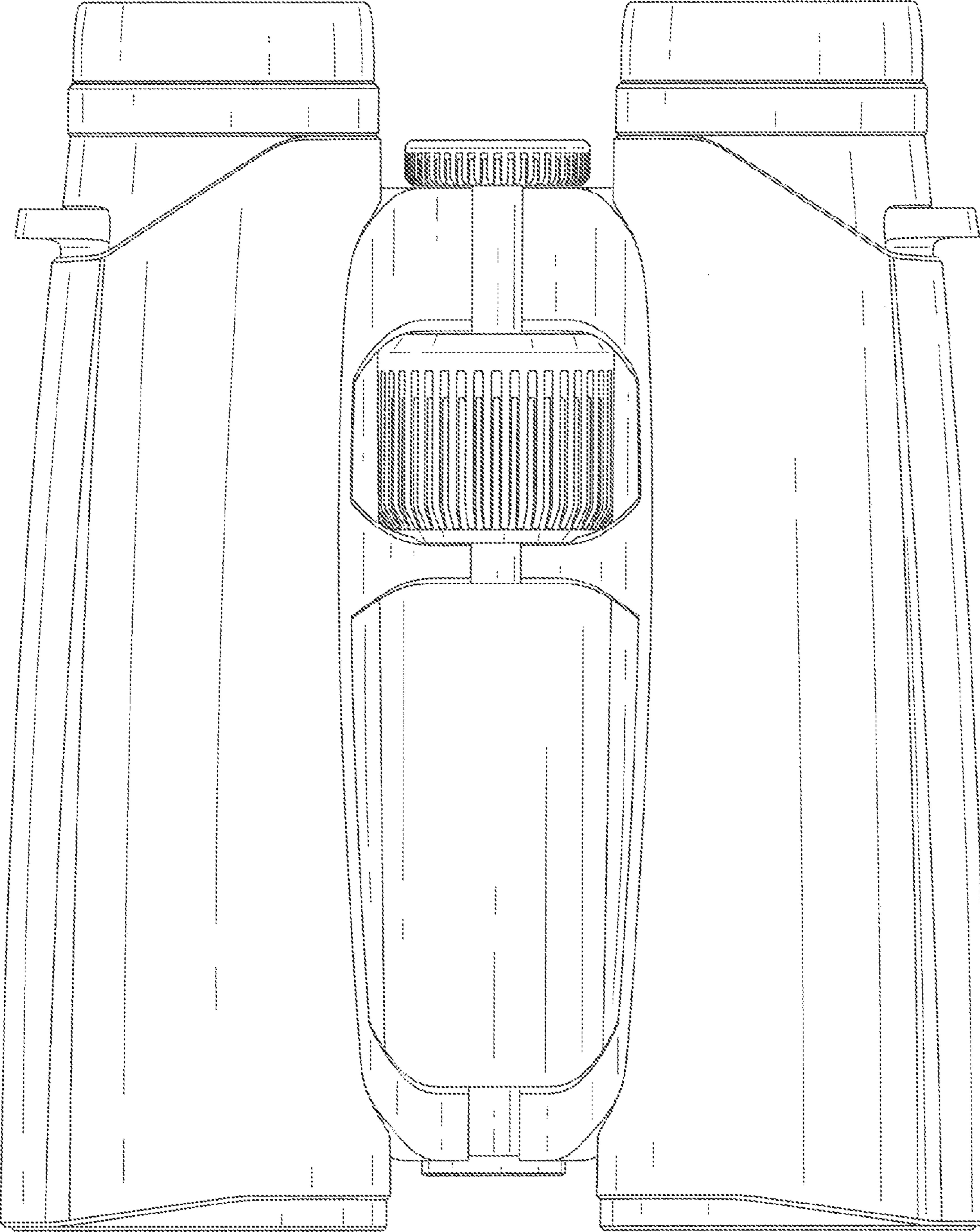


FIG. 13

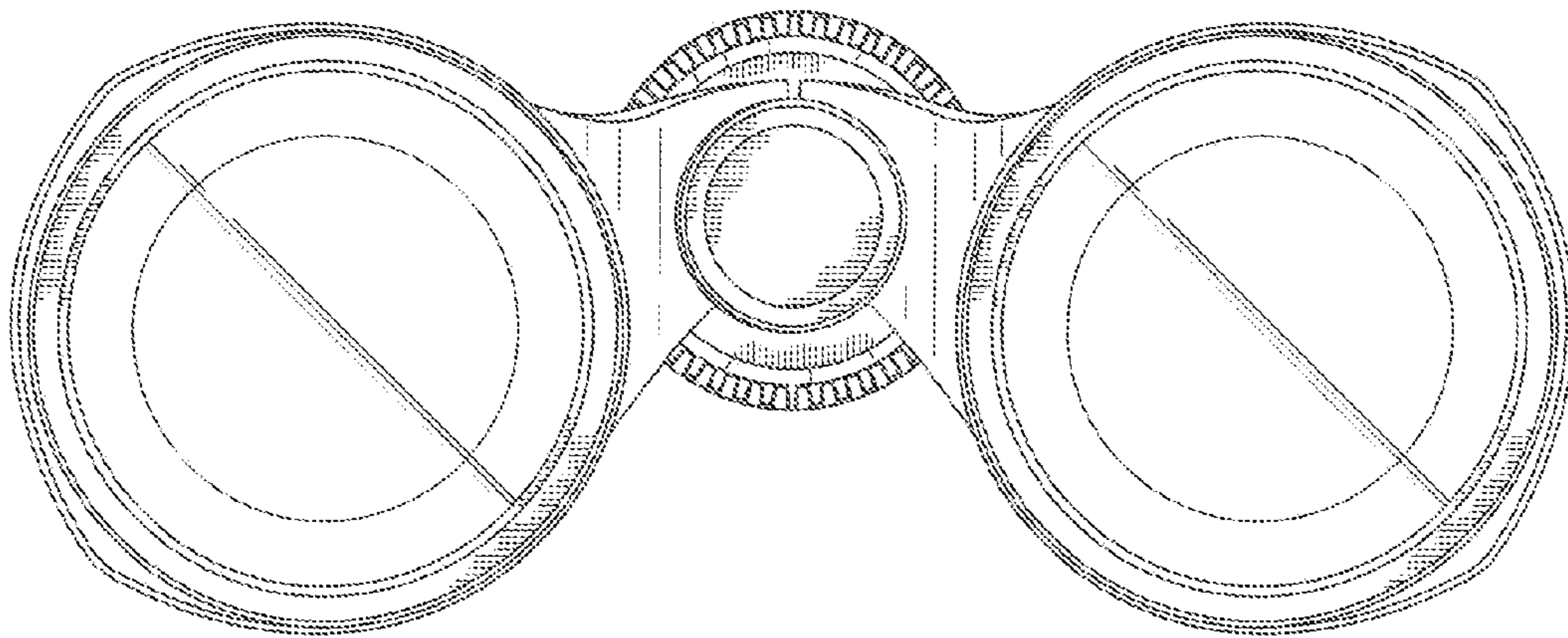


FIG. 14

UNITED STATES PATENT AND TRADEMARK OFFICE
CERTIFICATE OF CORRECTION

PATENT NO. : D693,867 S
APPLICATION NO. : 29/436132
DATED : November 19, 2013
INVENTOR(S) : Nils Radau and Jana Geissler

Page 1 of 10

It is certified that error appears in the above-identified patent and that said Letters Patent is hereby corrected as shown below:

The Title Page should be replaced with the attached Title Page.

In the Drawings:

In FIGS. 1, 4, 6, 8, 11 and 13:

The shading between the two barrels of the binocular is deleted as shown in the replacement sheets submitted herewith.

In FIGS. 2 and 9:

Shading is added to the viewing lenses of the two binocular tubes to extend over the lens surface as shown in the replacement sheets submitted herewith.

Signed and Sealed this
Eighteenth Day of February, 2014



Michelle K. Lee
Deputy Director of the United States Patent and Trademark Office

(12) **United States Design Patent**
Radau et al.

(10) **Patent No.:** **US D693,867 S**
(45) **Date of Patent:** **** Nov. 19, 2013**

(54) **BINOCULAR**

(71) Applicant: **Carl Zeiss Sports Optics GmbH,**
Wetzlar (DE)

(72) Inventors: **Nils Radau, Salzburg (AT); Jana**
Geissler, Salzburg (AT)

(73) Assignee: **Carl Zeiss Sports Optics GmbH,**
Wetzlar (DE)

(**) Term: **14 Years**

(21) Appl. No.: **29/436,132**

(22) Filed: **Nov. 1, 2012**

(51) **LOC (9) Cl.** **16-06**

(52) **U.S. Cl.**
USPC **D16/133**

(58) **Field of Classification Search**
USPC **D16/133, 130; 359/407-419, 480**
See application file for complete search history.

(56) **References Cited**

U.S. PATENT DOCUMENTS

4,329,013	A *	5/1982	Hengst	359/418
4,848,887	A *	7/1989	Addy et al.	359/413
D359,972	S *	7/1995	Takahashi	D16/133
D361,777	S *	8/1995	Akabane et al.	D16/133
D381,669	S *	7/1997	Hashimoto et al.	D16/133
5,777,785	A *	7/1998	Ishikawa	359/425
D412,177	S *	7/1999	Fujii	D16/133
6,266,185	B1 *	7/2001	Miller et al.	359/407
D470,160	S *	2/2003	Meinzer	D16/133
D479,256	S *	9/2003	Matsushita	D16/133
D486,507	S *	2/2004	Fujii	D16/133
D492,335	S *	6/2004	Watanabe	D16/133
D492,711	S *	7/2004	Watanabe	D16/133
D519,538	S *	4/2006	Hayamizu	D16/133
D575,315	S *	8/2008	Inaba	D16/133

D579,472	S *	10/2008	Yanagisawa	D16/133
D590,855	S *	4/2009	Watanabe	D16/133
D602,059	S *	10/2009	Inaba	D16/133
D605,211	S *	12/2009	Holbl	D16/133
D621,431	S *	8/2010	Holbl	D16/133
D627,378	S *	11/2010	Watanabe	D16/133
D646,311	S *	10/2011	Hoelbl	D16/133
D681,709	S *	5/2013	Radau et al.	D16/133
D684,202	S *	6/2013	Radau et al.	D16/133
D687,081	S *	7/2013	Radau et al.	D16/133

* cited by examiner

Primary Examiner — Paula Greene

(74) *Attorney, Agent, or Firm* — Walter Ottesen P.A.

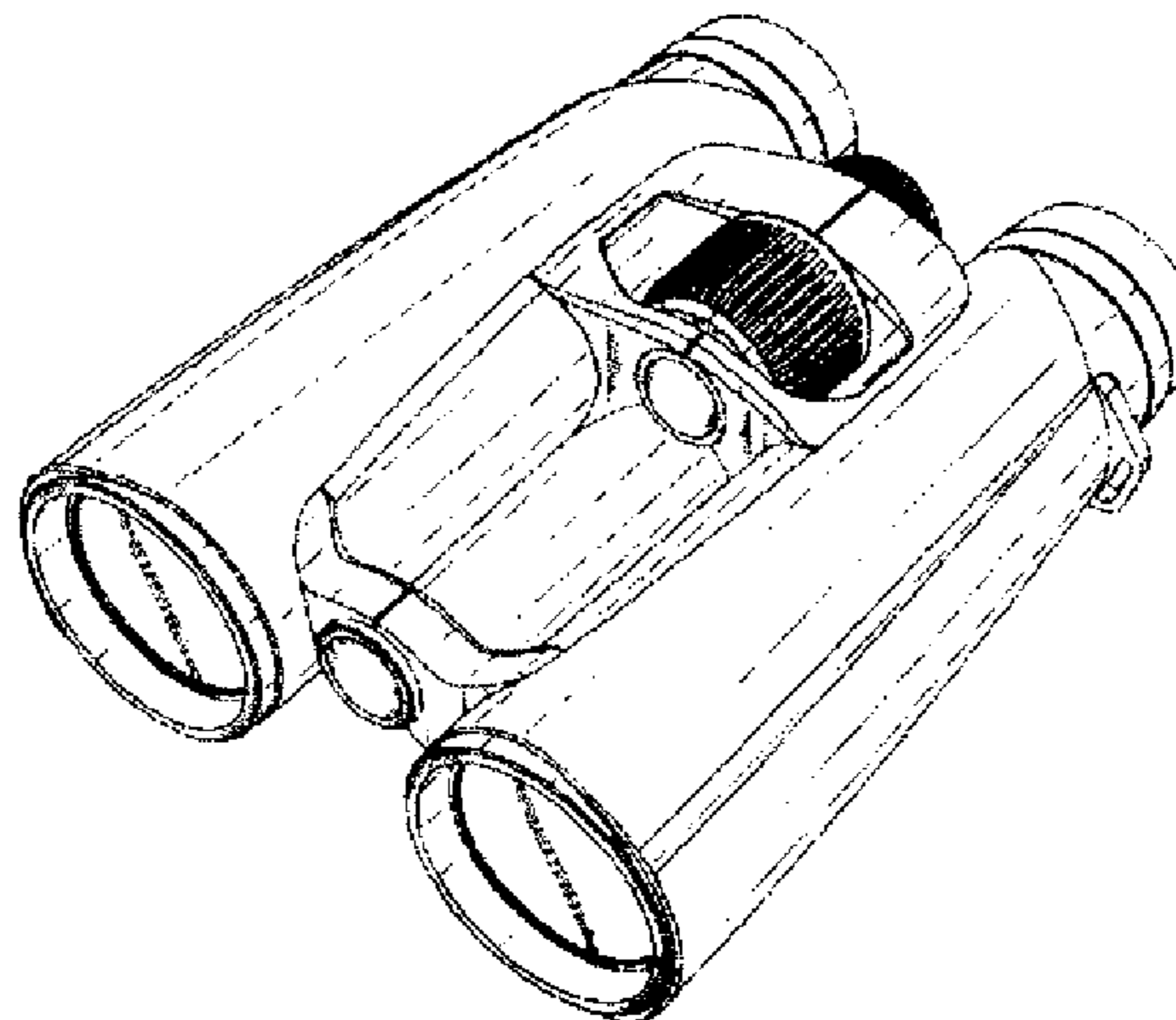
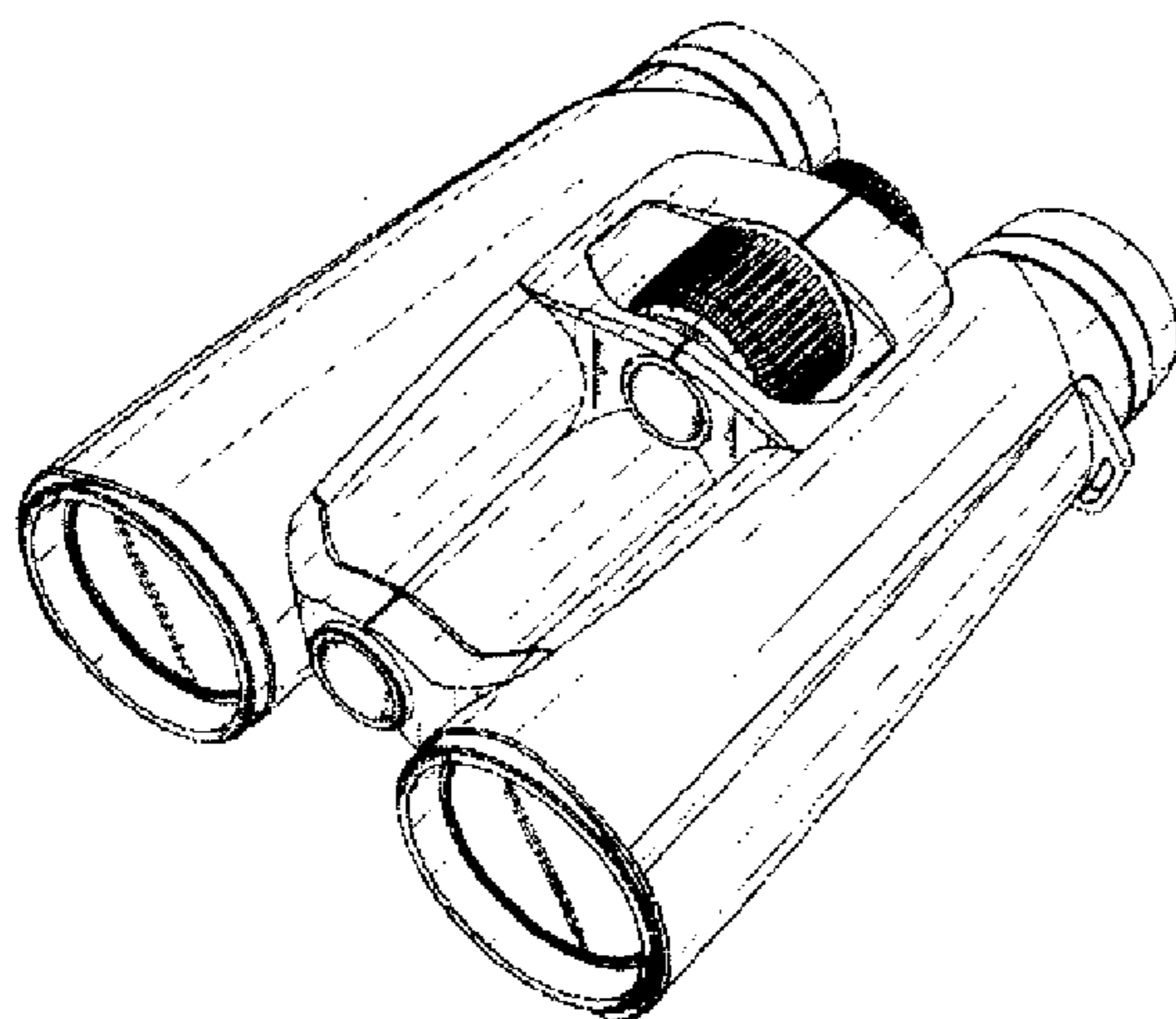
(57) **CLAIM**

The ornamental design for a binocular, as shown and described.

DESCRIPTION

FIG. 1 is a perspective view of a first embodiment of the binocular of our new design;
 FIG. 2 is a rear elevation view of the binocular of FIG. 1;
 FIG. 3 is a left side elevation view of the binocular of FIG. 1;
 FIG. 4 is a top plan view of the binocular of FIG. 1;
 FIG. 5 is a right side elevation view of the binocular of FIG. 1;
 FIG. 6 is a bottom plan view of the binocular of FIG. 1;
 FIG. 7 is a front elevation view of the binocular of FIG. 1;
 FIG. 8 is a perspective view of a second embodiment of the binocular of our new design;
 FIG. 9 is a rear elevation view of the binocular of FIG. 8;
 FIG. 10 is a left side elevation view of the binocular of FIG. 8;
 FIG. 11 is a top plan view of the binocular of FIG. 8;
 FIG. 12 is a right side elevation view of the binocular of FIG. 8;
 FIG. 13 is a bottom plan view of the binocular of FIG. 8; and,
 FIG. 14 is a front elevation view of the binocular of FIG. 8.

1 Claim, 14 Drawing Sheets



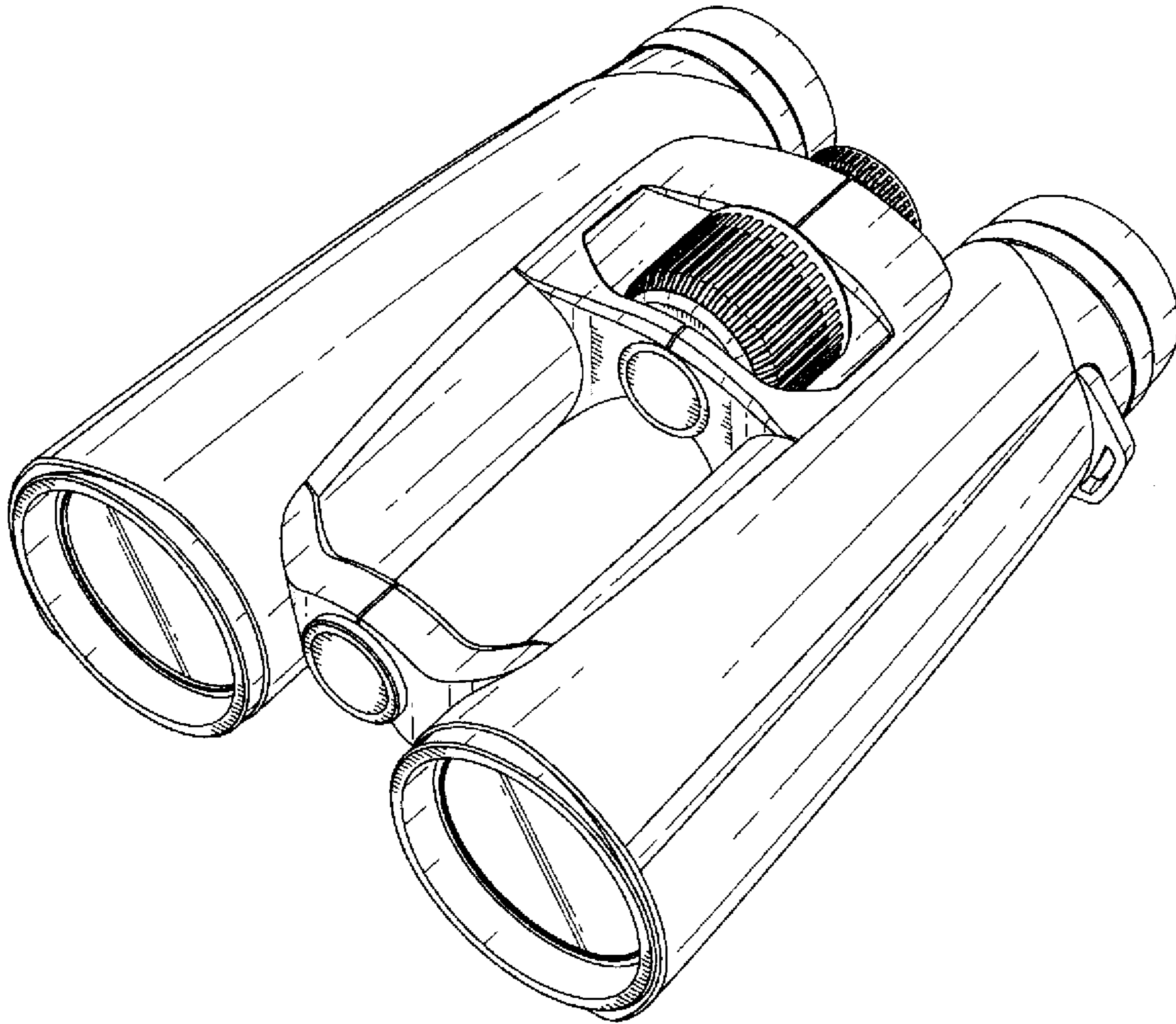


FIG. 1

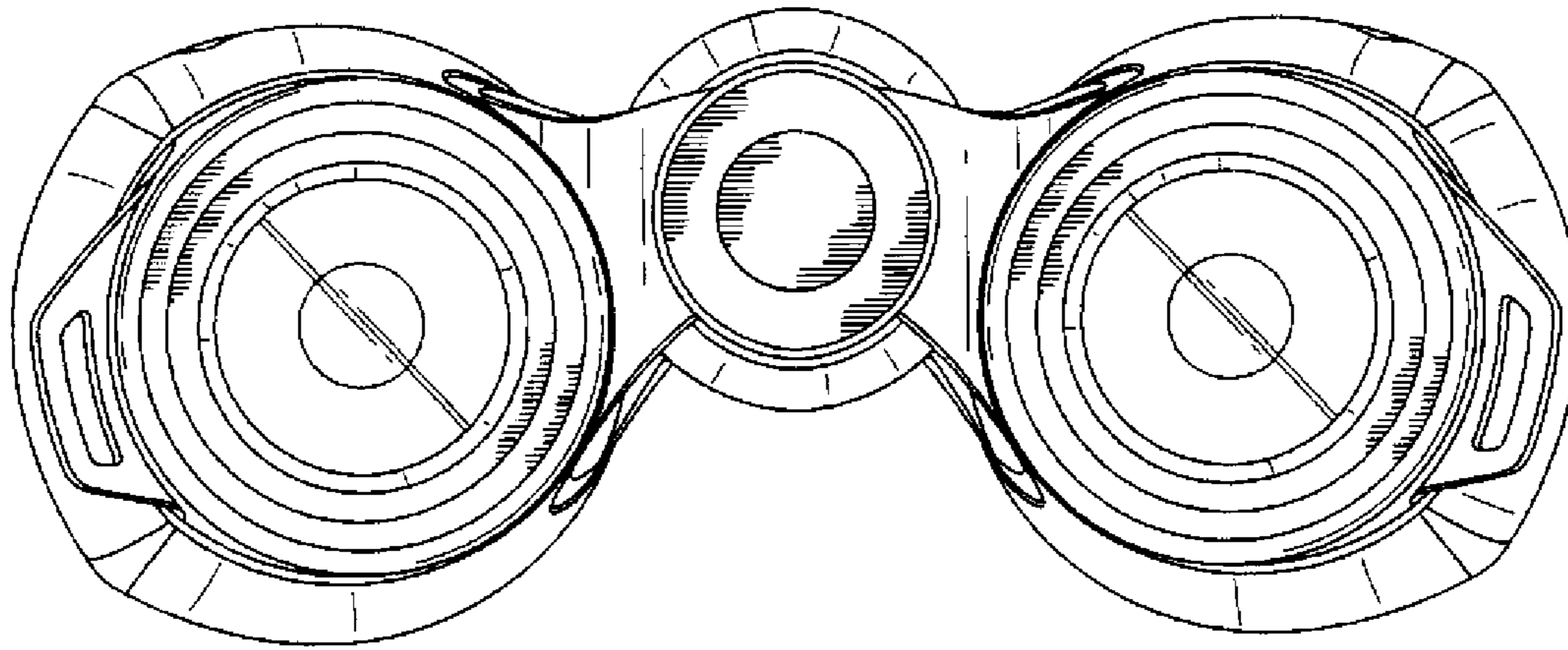


FIG. 2

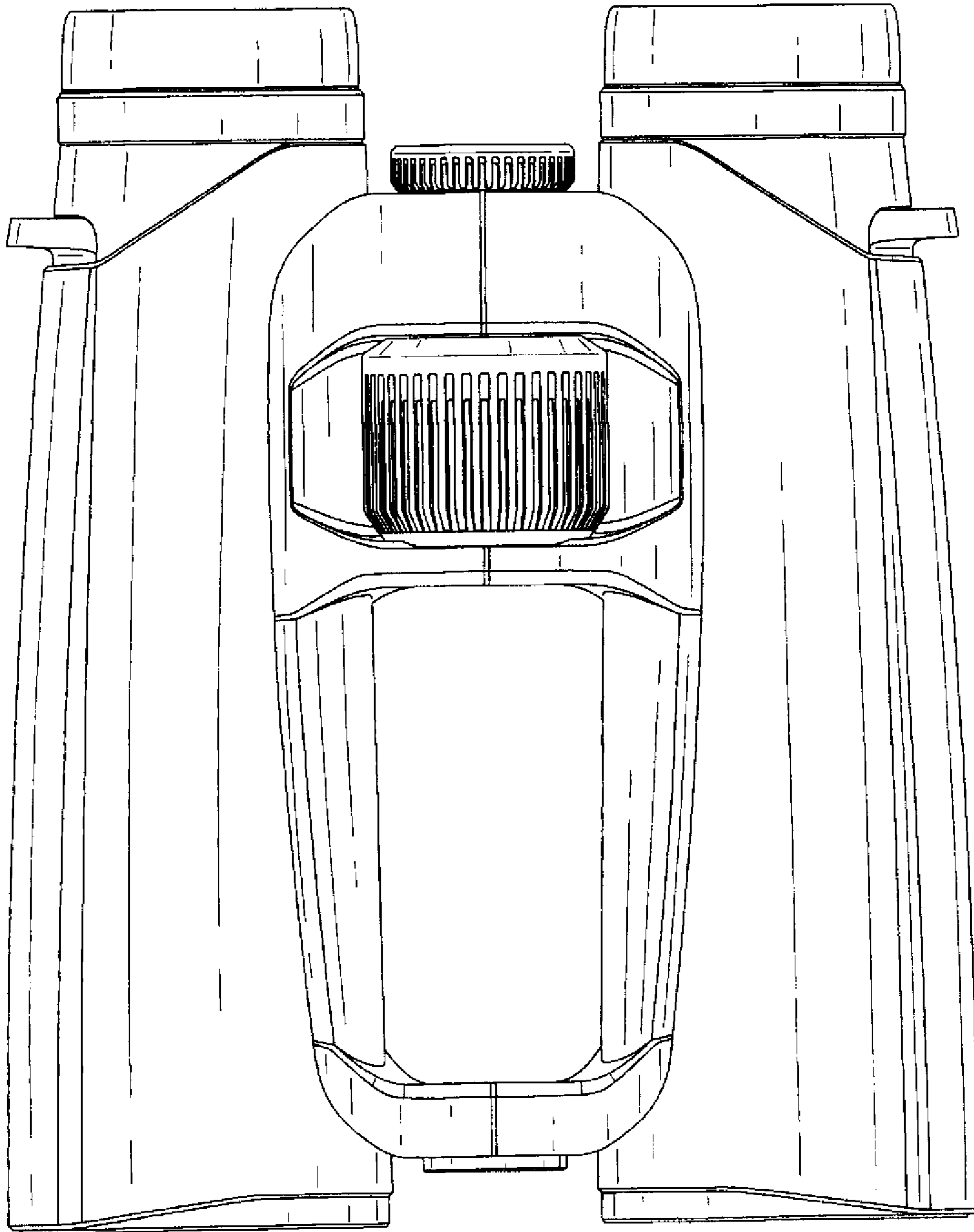


FIG. 4

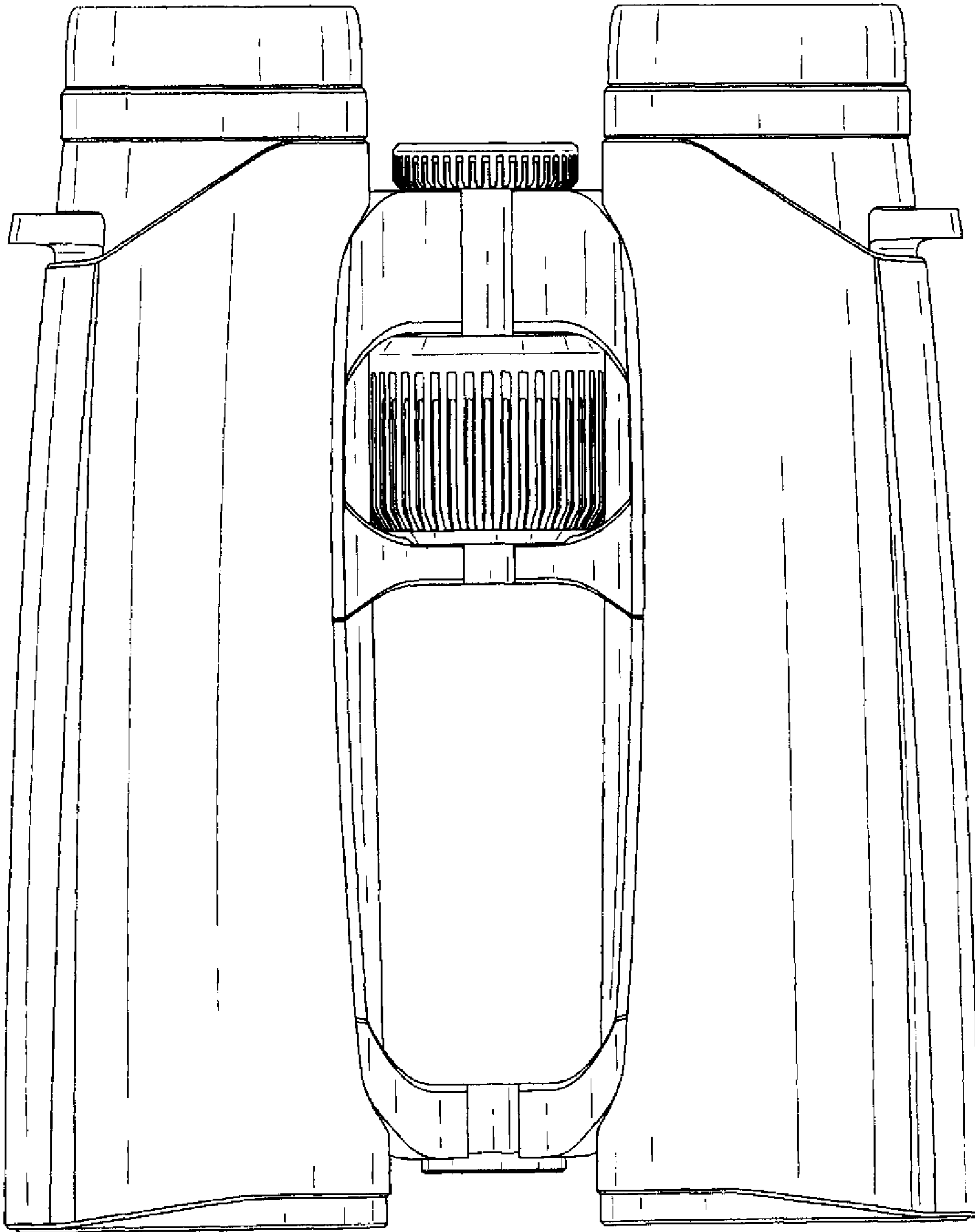


FIG. 6

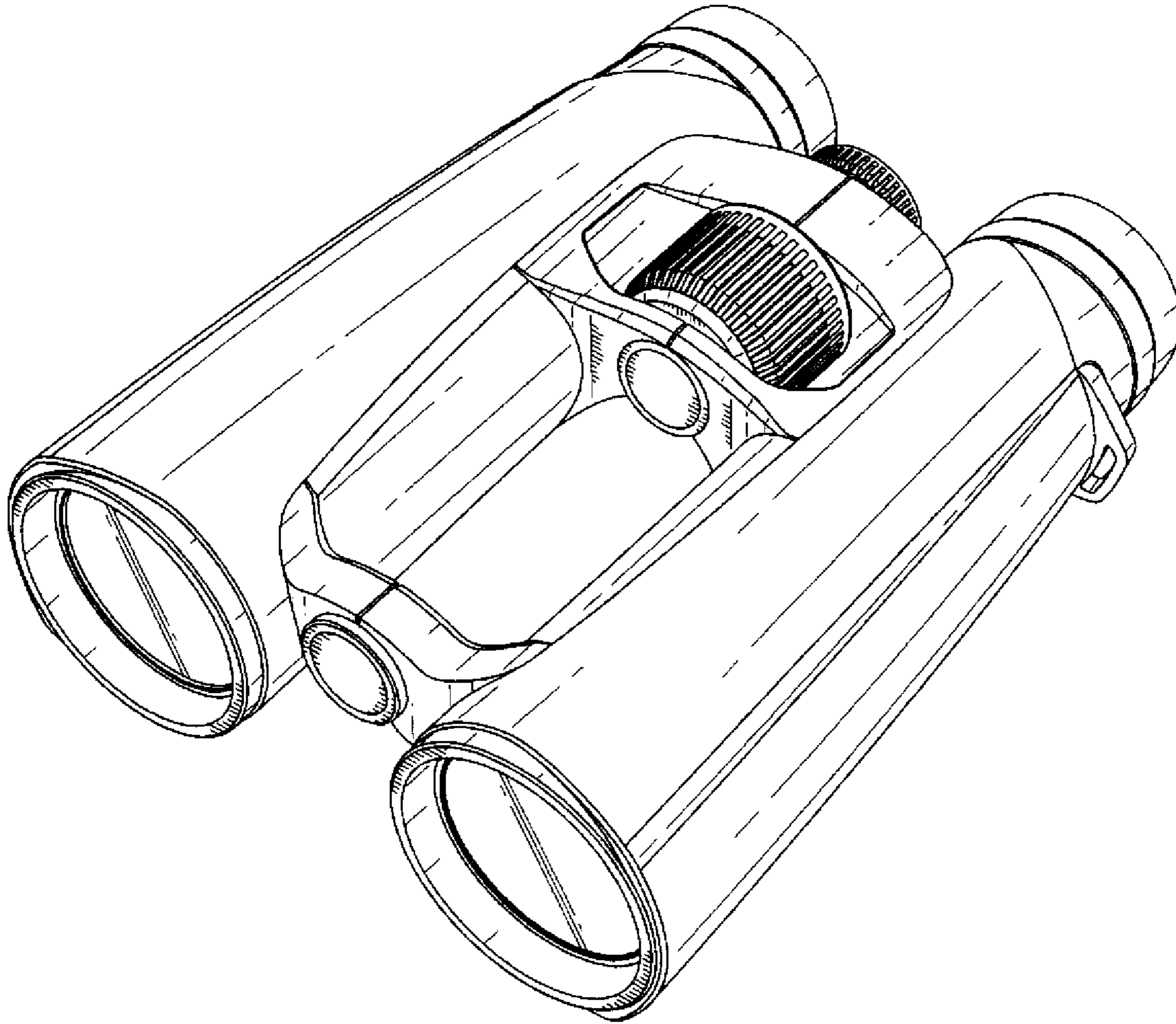


FIG. 8

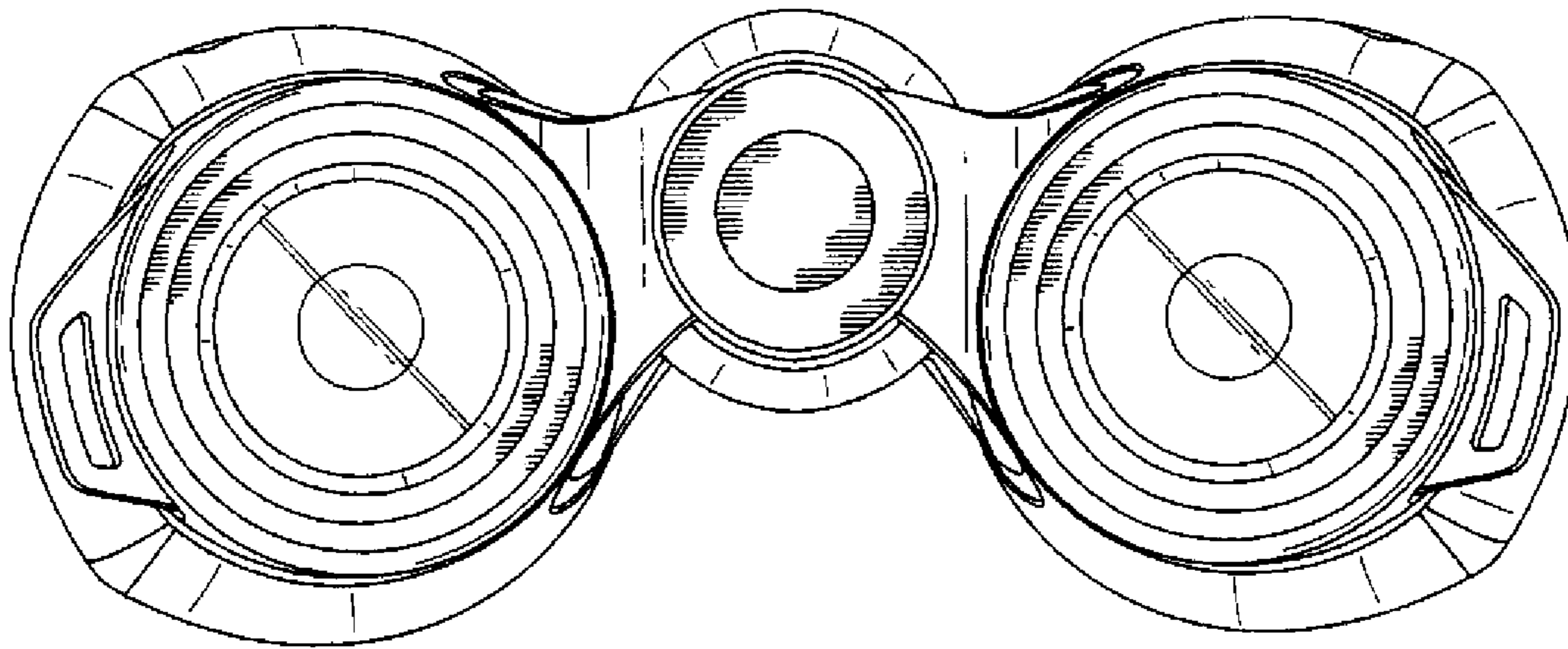


FIG. 9

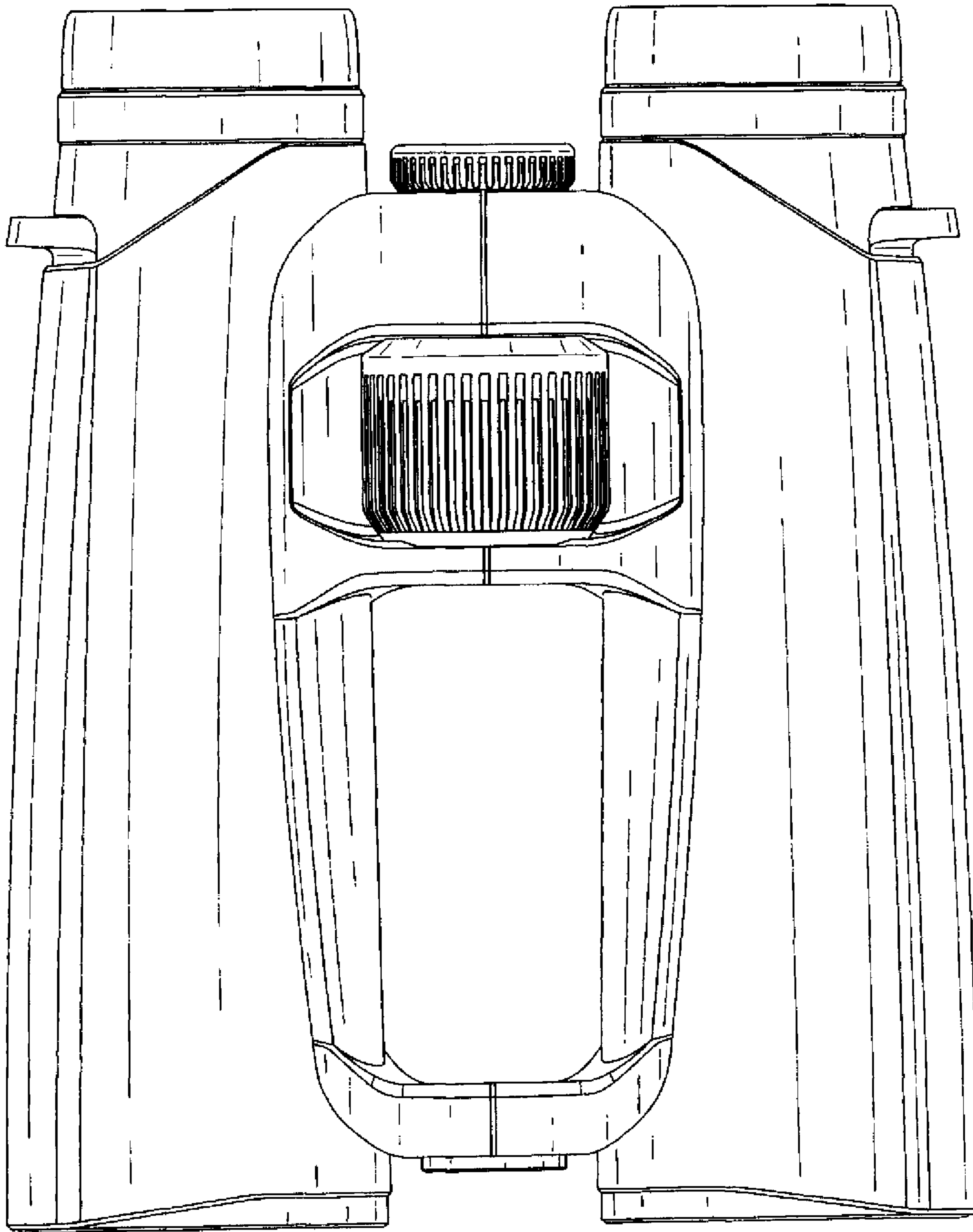


FIG. 11

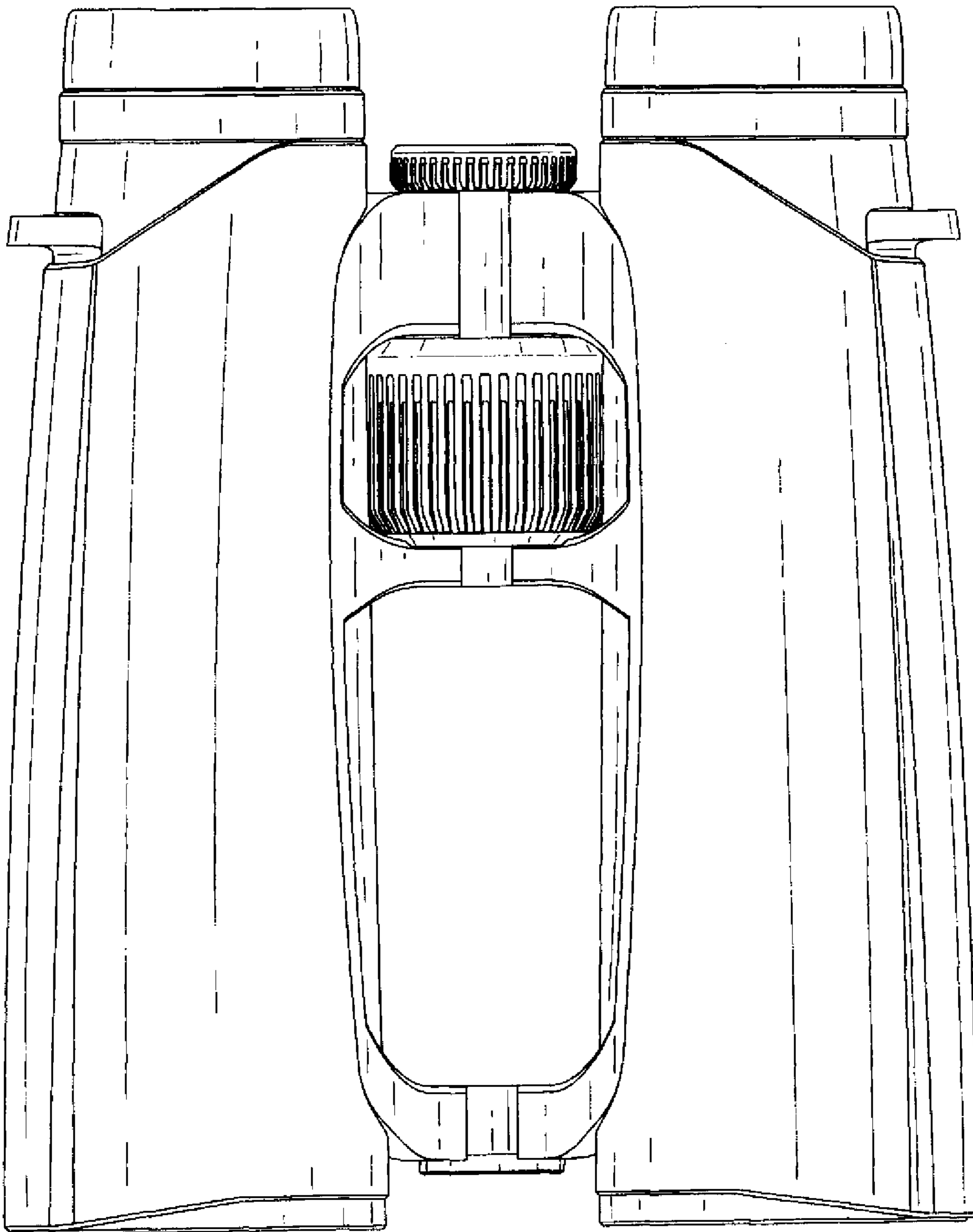


FIG. 13