



US00D693866S

(12) **United States Design Patent**  
**Au et al.**

(10) **Patent No.:** **US D693,866 S**  
(45) **Date of Patent:** **\*\* Nov. 19, 2013**

(54) **DIGITAL MICROSCOPE**  
(75) Inventors: **Nelson Au**, Foster City, CA (US); **Paul Boeschoten**, Redmond, WA (US); **George Hanson**, Eugene, OR (US); **Steven Lytle**, Kirkland, WA (US); **Michael O’Grady**, Eugene, OR (US); **Erik Persmark**, Eugene, OR (US); **Terence Tam**, Redmond, WA (US); **Laurence Trigg**, Santa Clara, CA (US); **Adam Zahner**, Eugene, OR (US)

(73) Assignee: **Life Technologies Corporation**, Carlsbad, CA (US)

(\*\*) Term: **14 Years**

(21) Appl. No.: **29/430,276**

(22) Filed: **Aug. 23, 2012**

**Related U.S. Application Data**

(62) Division of application No. 29/401,628, filed on Sep. 13, 2011, now Pat. No. Des. 668,699.

(51) **LOC (9) Cl.** ..... **16-06**

(52) **U.S. Cl.**  
USPC ..... **D16/131**

(58) **Field of Classification Search**  
USPC ..... D16/131, 225; D14/375; D10/46; 353/39, 27 R; 359/363, 369, 378, 372, 359/392, 368, 383, 388, 381, 390; 348/63  
See application file for complete search history.

(56) **References Cited**

**U.S. PATENT DOCUMENTS**

2,135,870 A 11/1938 Fassin et al.  
2,170,967 A 8/1939 Eppenstein et al.

D195,998 S	8/1963	Aubock et al.	
3,186,296 A	6/1965	Erban et al.	
3,205,770 A	9/1965	Koch et al.	
3,572,884 A	3/1971	Chirayath	
D228,807 S	10/1973	Cinque	
4,284,327 A	8/1981	Kraft et al.	
4,423,933 A	1/1984	Behr et al.	
4,444,475 A	4/1984	Yamada	
4,445,758 A *	5/1984	Emmel	359/392
4,537,483 A *	8/1985	Turner	353/39
4,621,913 A *	11/1986	Yamada et al.	353/39
D291,702 S	9/1987	Kahute	
D309,621 S	7/1990	Chaikin	
D356,552 S	3/1995	Maeno et al.	
D359,059 S	6/1995	Omi	
5,497,267 A *	3/1996	Ishikawa et al.	359/390
5,684,627 A	11/1997	Ganser et al.	
D387,080 S	12/1997	Miyazawa	
5,694,242 A	12/1997	Omi	

(Continued)

*Primary Examiner* — Paula Greene

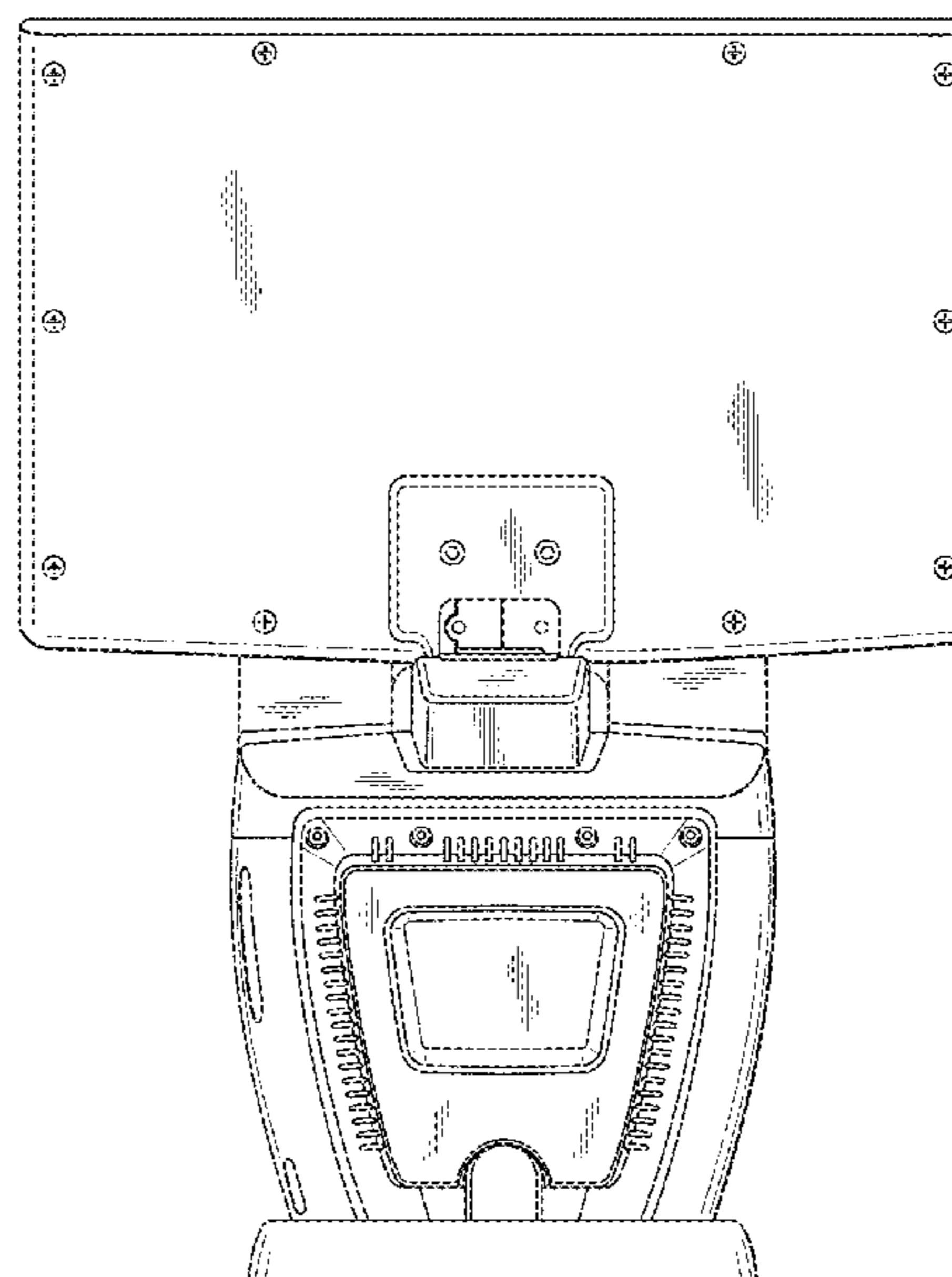
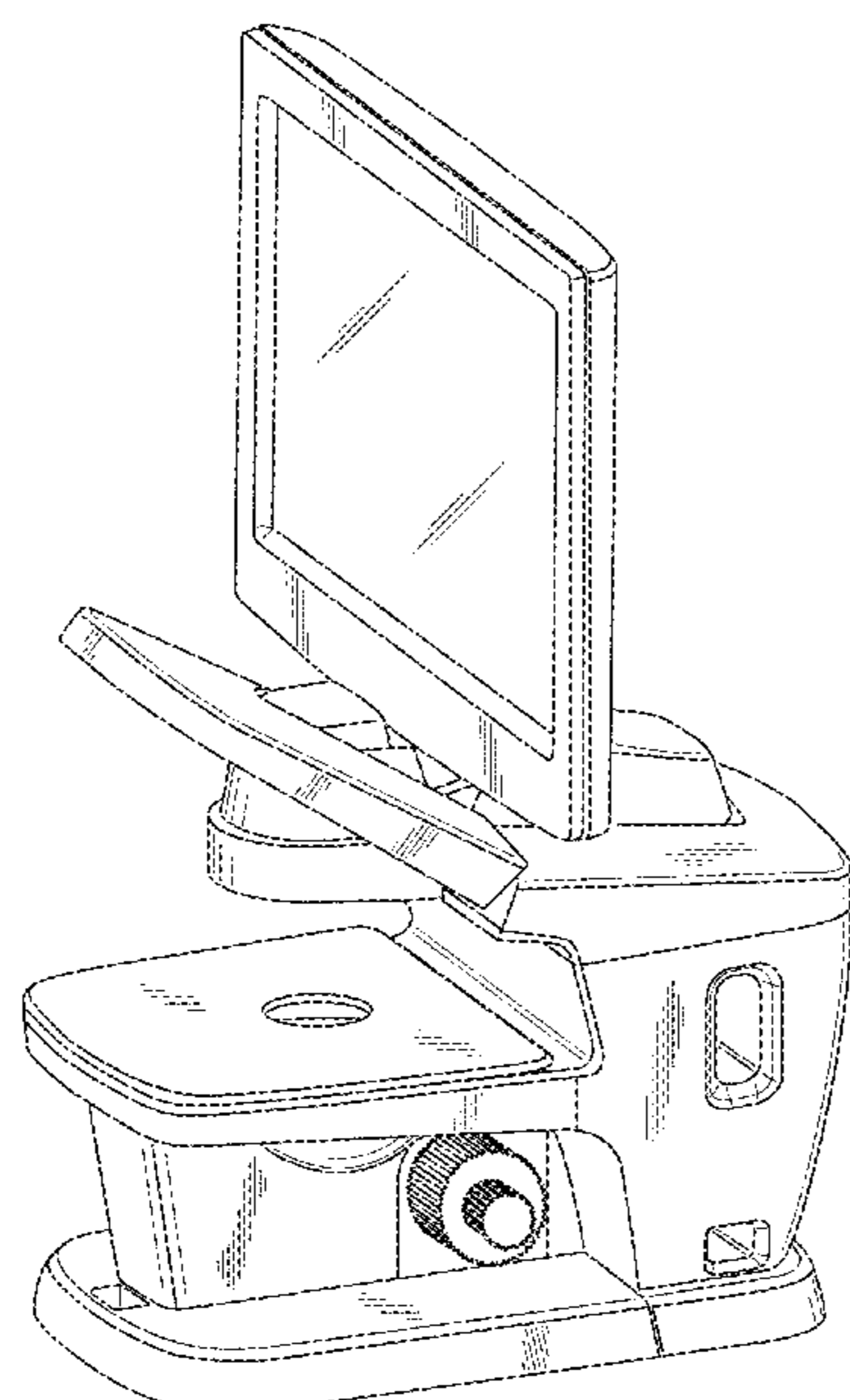
(57) **CLAIM**

The ornamental design for a digital microscope, as shown and described.

**DESCRIPTION**

FIG. 1 is a front/side perspective view of a digital microscope according to our new design.  
FIG. 2 is a front view of the digital microscope of FIG. 1.  
FIG. 3 is a back view of the digital microscope of FIG. 1.  
FIG. 4 is a left side view of the digital microscope of FIG. 1.  
FIG. 5 is a right side view of the digital microscope of FIG. 1.  
FIG. 6 is a top view of the digital microscope of FIG. 1; and, FIG. 7 is a bottom view of the digital microscope of FIG. 1.  
The portions depicted in broken lines do not form part of the claimed design.

**1 Claim, 7 Drawing Sheets**



(56)

**References Cited**

U.S. PATENT DOCUMENTS

D392,303 S 3/1998 Hern  
D400,548 S 11/1998 Komatsuzaki  
6,147,797 A 11/2000 Lee  
D476,020 S 6/2003 Chih  
6,738,558 B2 5/2004 Ruehl et al.  
6,741,391 B1 5/2004 Ishihara et al.

6,785,045 B2 \* 8/2004 Utsugi ..... 359/383  
6,791,600 B1 9/2004 Chan  
D516,595 S \* 3/2006 Apotheloz et al. .... D16/131  
7,321,462 B2 1/2008 Yamamoto  
D657,407 S 4/2012 Okamoto et al.  
D668,699 S 10/2012 Au et al.  
D674,424 S \* 1/2013 Apotheloz ..... D16/131  
D681,089 S \* 4/2013 Au et al. .... D16/131

\* cited by examiner

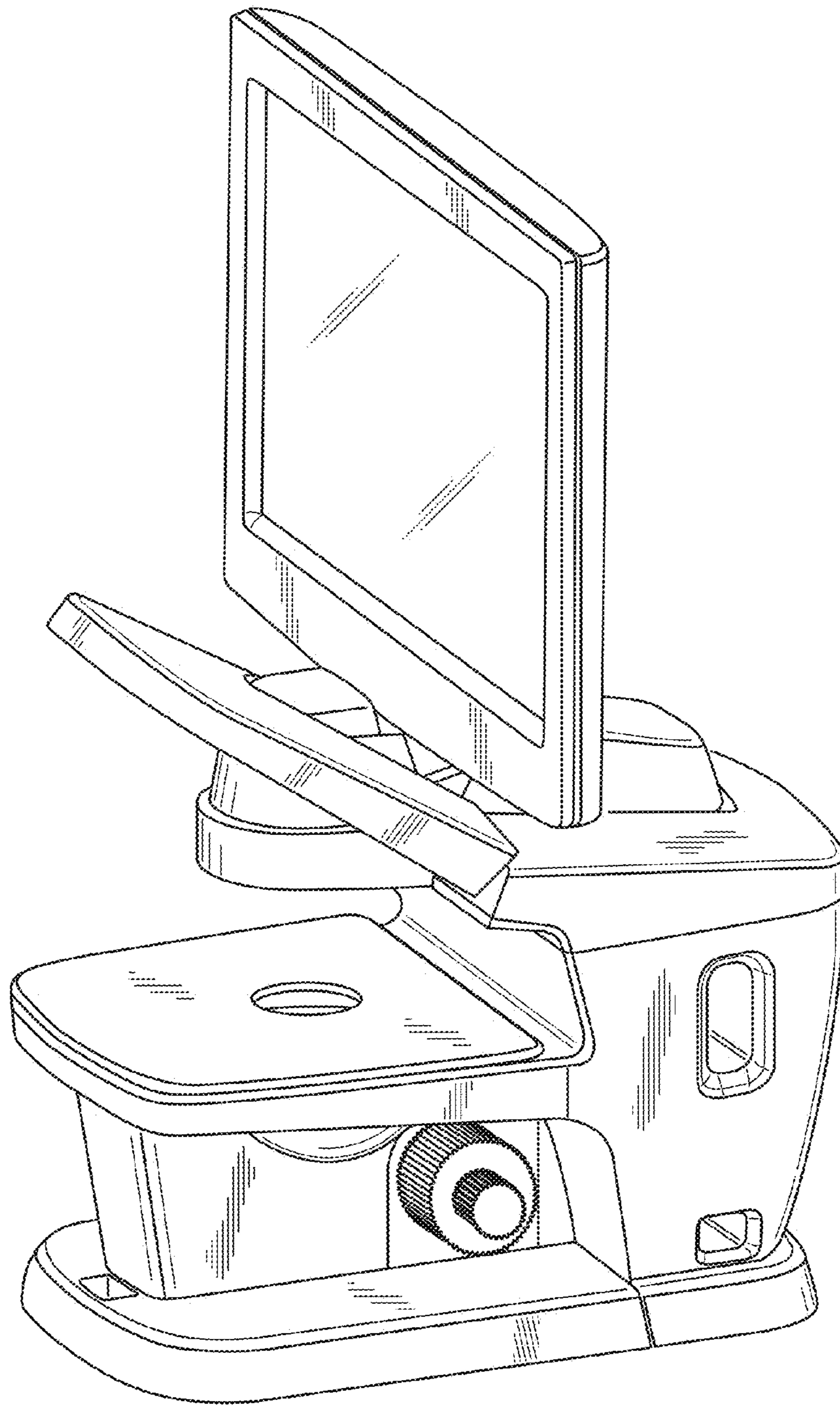


FIG. 1

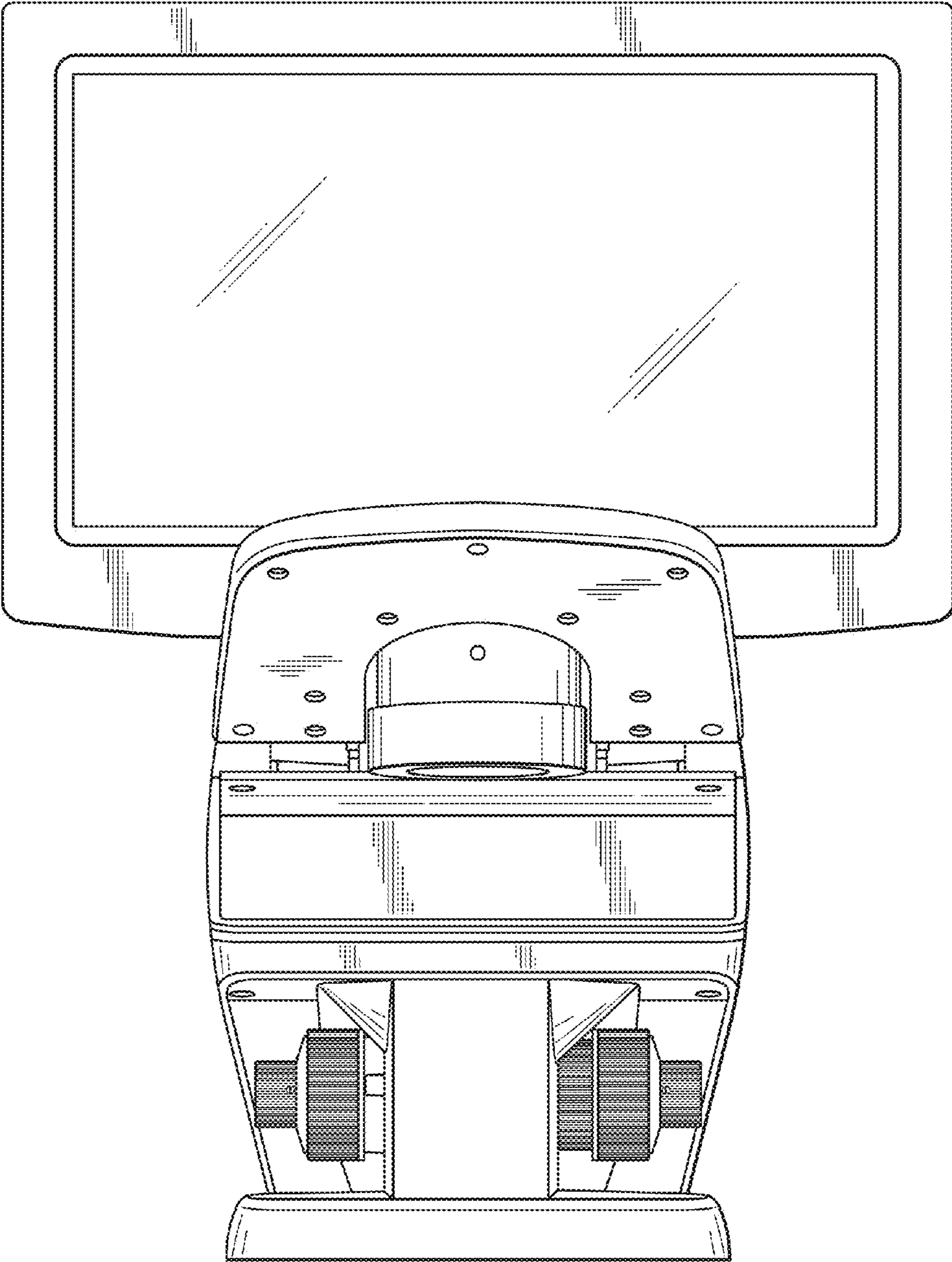


FIG. 2

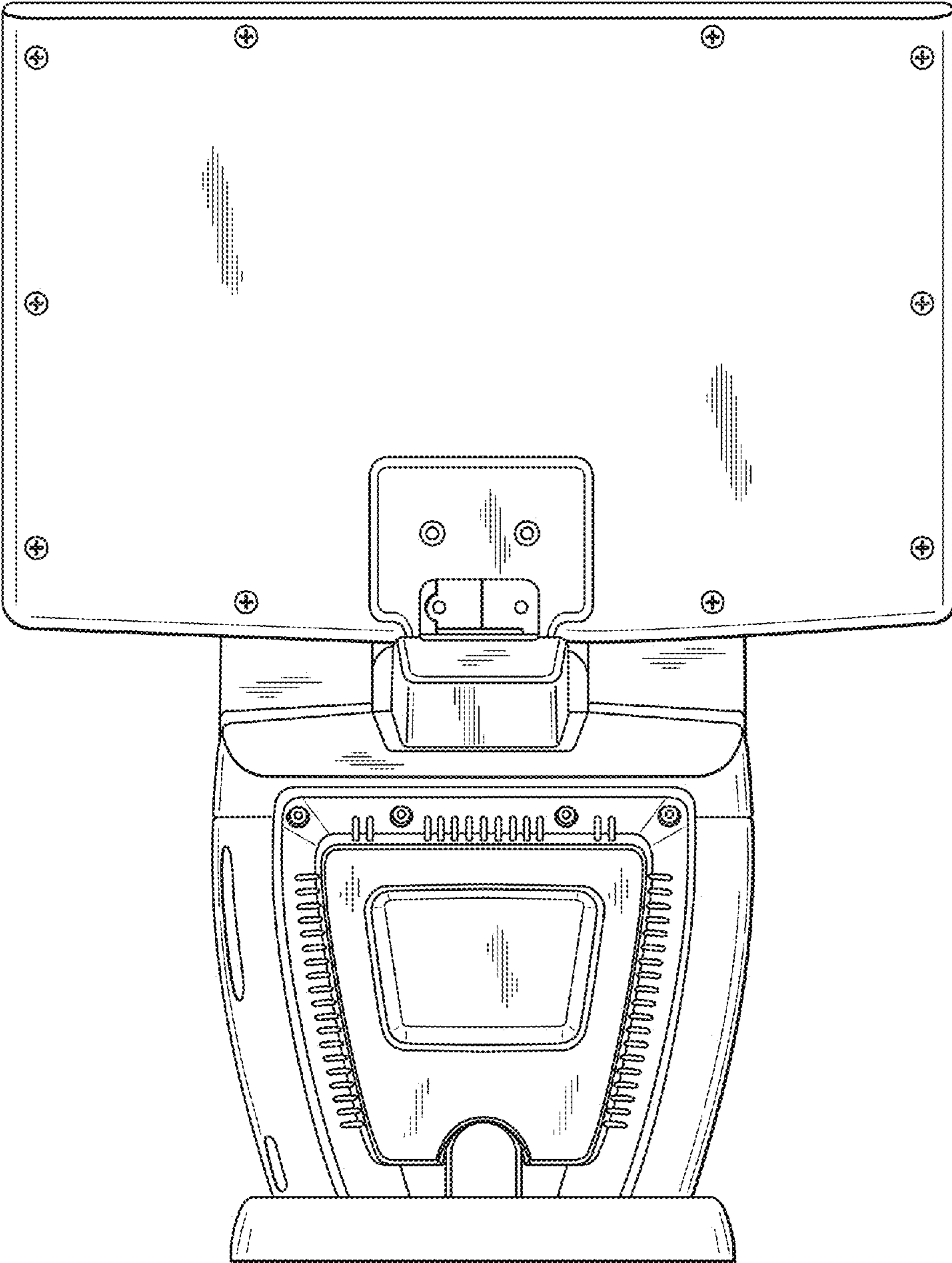


FIG. 3

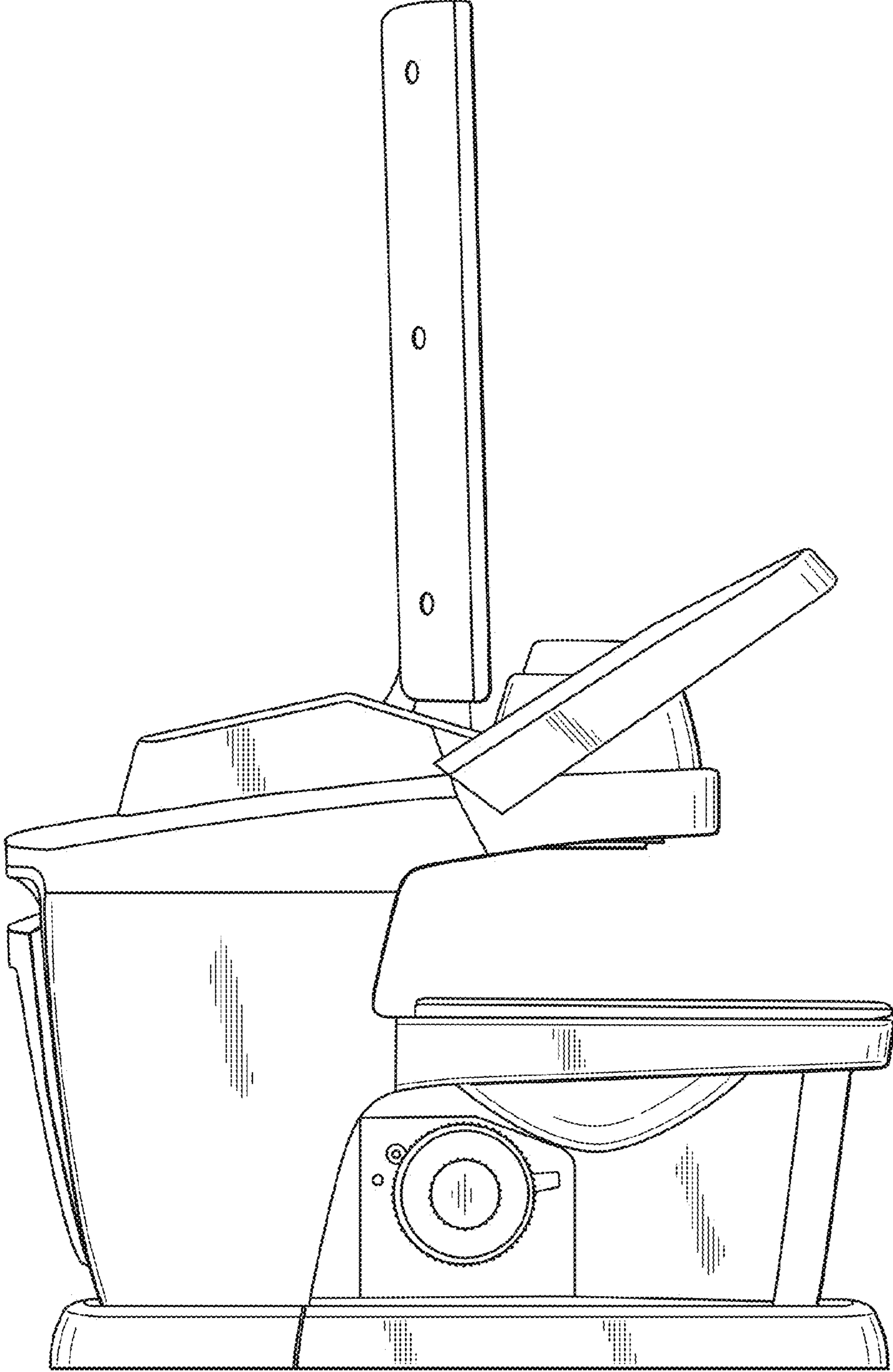


FIG. 4

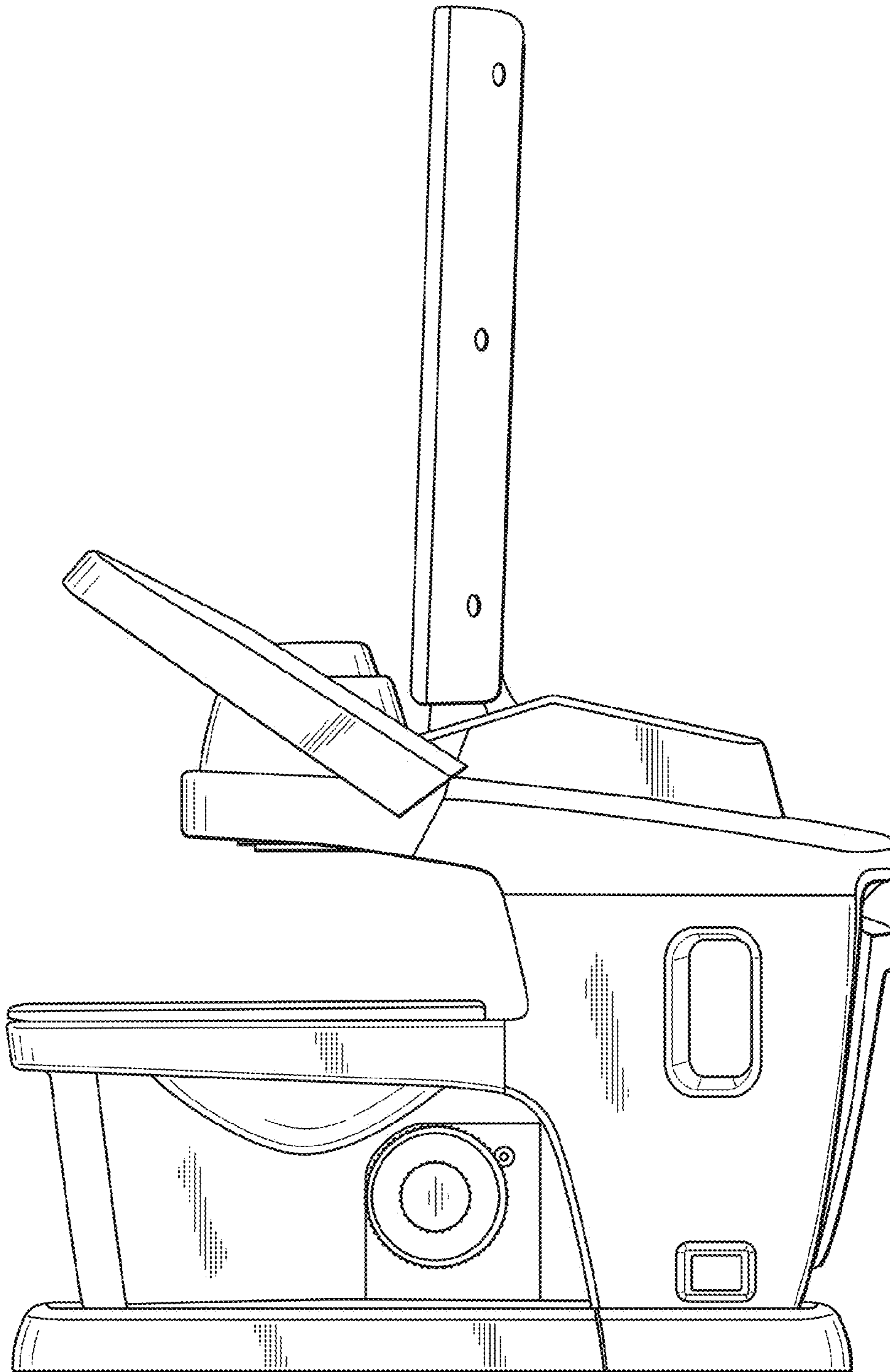


FIG. 5

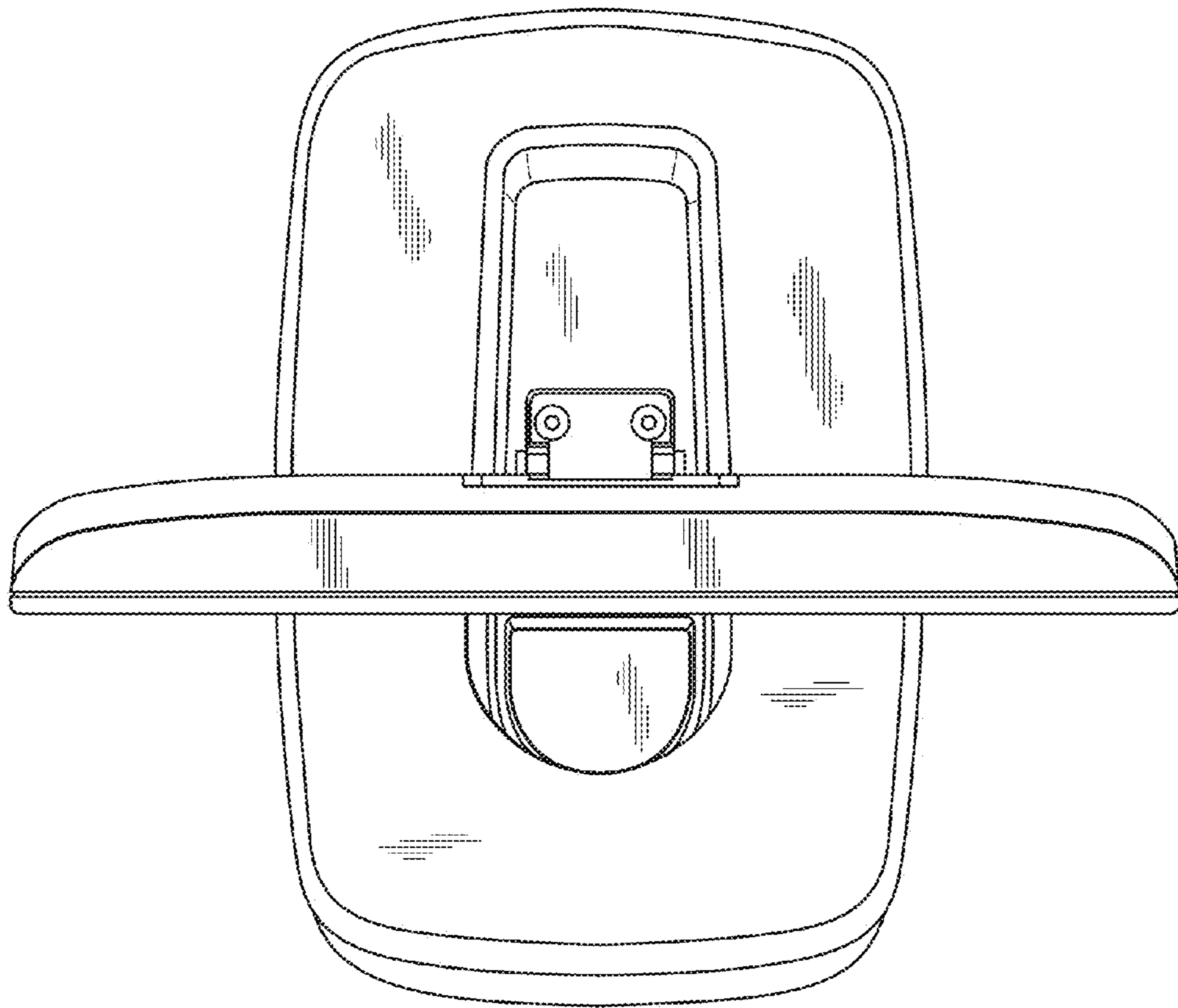


FIG. 6



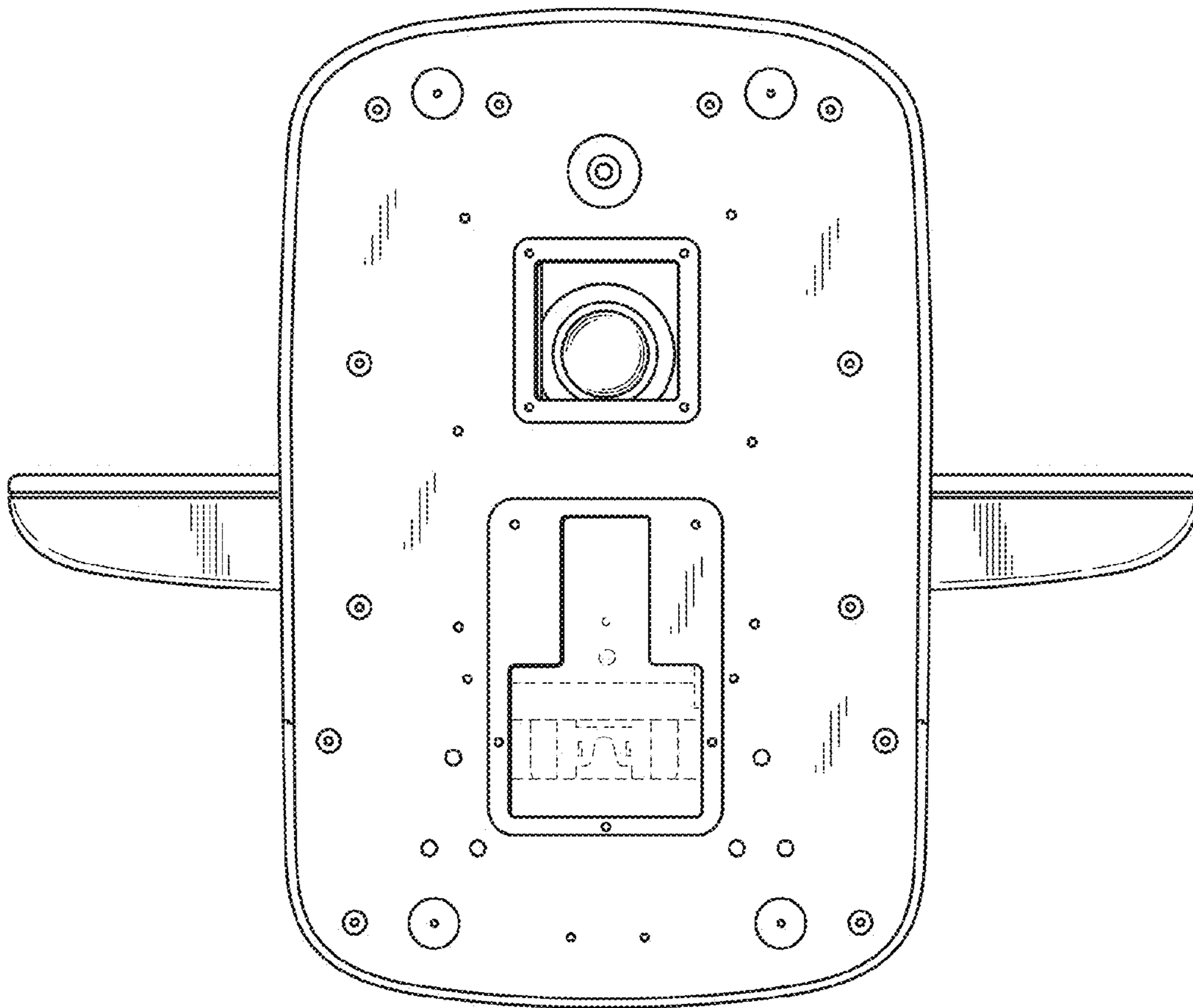


FIG. 7