



US00D693865S

(12) **United States Design Patent**
Gould et al.

(10) **Patent No.:** **US D693,865 S**

(45) **Date of Patent:** **** Nov. 19, 2013**

(54) **UPPER PORTION OF A WALL MOUNTED
ADHESIVE MELTER**

(56) **References Cited**

U.S. PATENT DOCUMENTS

(71) Applicant: **Nordson Corporation**, Westlake, OH
(US)

2,025,509 A 12/1935 Hieber
3,818,930 A 6/1974 Crum et al.
3,876,105 A 4/1975 Kelling

(72) Inventors: **Mark A. Gould**, Gainesville, GA (US);
David R. Jeter, Woodstock, GA (US);
Mark G. Reifenberger, Norcross, GA
(US); **Paula E. Ruse**, Lawrenceville, GA
(US); **Robert J. Woodlief**, Suwanee, GA
(US)

(Continued)

FOREIGN PATENT DOCUMENTS

(73) Assignee: **Nordson Corporation**, Westlake, OH
(US)

DE 3214726 A1 10/1983
EP 0855228 A2 7/1998
WO 9810251 A1 3/1998

OTHER PUBLICATIONS

Nordson Corporation, Select Series™ Hot Melt Dispensing Guns
and Hoses, Brochure, Apr. 2006.

(Continued)

(**) Term: **14 Years**

Primary Examiner — Patricia Palasik

(21) Appl. No.: **29/456,686**

(74) *Attorney, Agent, or Firm* — Wood, Herron & Evans,
L.L.P.

(22) Filed: **Jun. 3, 2013**

(57) **CLAIM**

The ornamental design for the upper portion of a wall
mounted adhesive melter, as shown and described.

Related U.S. Application Data

DESCRIPTION

(62) Division of application No. 29/443,662, filed on Jan.
21, 2013, now Pat. No. Des. 687,474, and a division of
application No. 29/435,697, filed on Oct. 26, 2012,
now Pat. No. Des. 678,374.

FIG. 1 is a perspective view of the upper portion of a wall
mounted adhesive melter according to the present invention.
FIG. 2 is a front elevational view of the upper portion of a wall
mounted adhesive melter according to the present invention.
FIG. 3 is a left side elevational view of the upper portion of a
wall mounted adhesive melter according to the present inven-
tion.

(51) **LOC (9) Cl.** **15-09**

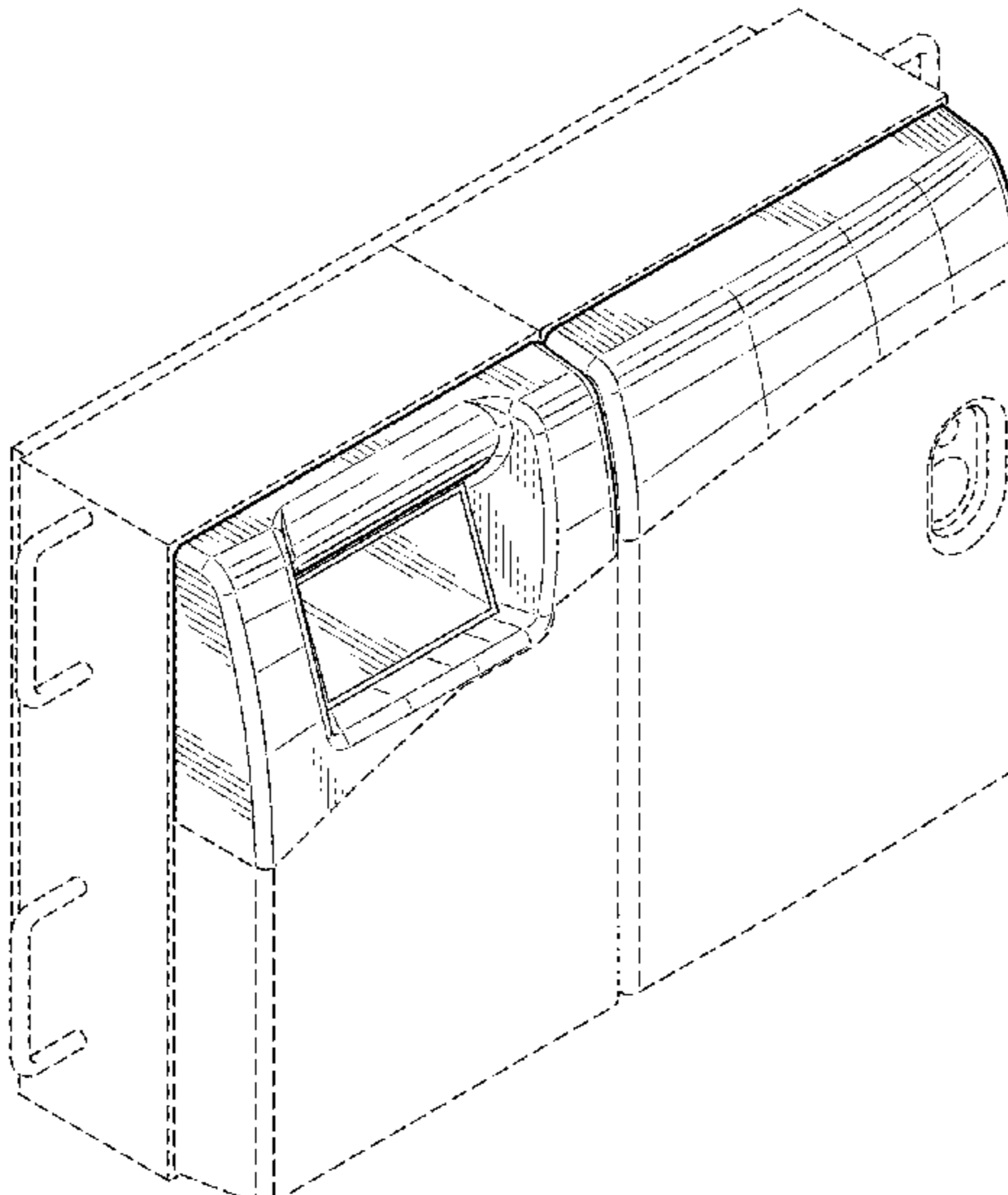
(52) **U.S. Cl.**
USPC **D15/144.2**

(58) **Field of Classification Search**
USPC D15/144, 144.1, 144.2; D34/7;
219/421, 426, 601; 222/146.5, 152,
222/156, 189.06, 386, 389, 397, 405,
222/420–426, 430, 431; 266/200; 432/161

FIG. 4 is a right side elevational view of the upper portion of
a wall mounted adhesive melter according to the present
invention; and,
FIG. 5 is a top elevational view of the upper portion of a wall
mounted adhesive melter according to the present invention.
The broken lines define unclaimed boundaries of the design.

See application file for complete search history.

1 Claim, 3 Drawing Sheets



(56)

References Cited

U.S. PATENT DOCUMENTS

4,245,759 A 1/1981 Baker et al.
 4,334,637 A 6/1982 Baker et al.
 4,456,151 A 6/1984 Lewellen
 4,711,379 A 12/1987 Price
 4,726,822 A 2/1988 Cates et al.
 4,752,670 A 6/1988 Traub et al.
 5,336,320 A 8/1994 Hogan et al.
 5,375,738 A 12/1994 Walsh et al.
 5,407,101 A 4/1995 Hubbard
 D360,422 S 7/1995 Frates et al.
 5,680,961 A 10/1997 Boccagno et al.
 D388,800 S 1/1998 Zook et al.
 5,706,982 A 1/1998 Siddiqui et al.
 5,715,972 A 2/1998 Siddiqui
 5,837,975 A 11/1998 Dillard et al.
 5,913,455 A 6/1999 La et al.
 5,934,520 A 8/1999 Byerly et al.
 6,049,658 A 4/2000 Schave et al.
 D425,530 S 5/2000 Lafitte
 6,056,155 A 5/2000 Byerly et al.
 6,175,101 B1 1/2001 Miller et al.
 6,499,629 B1 12/2002 Colangelo et al.
 6,533,187 B2 3/2003 May
 D488,177 S 4/2004 Dittmann et al.

D489,741 S 5/2004 Calco et al.
 D500,063 S 12/2004 Jeter et al.
 7,025,081 B2 4/2006 Colangelo et al.
 D552,641 S 10/2007 Razquin Murgui
 D552,716 S 10/2007 Chastine et al.
 D556,798 S 12/2007 Franco
 D562,368 S 2/2008 Byerly et al.
 7,626,143 B2 12/2009 Miller
 D611,515 S 3/2010 Chastine et al.
 D647,380 S 10/2011 Bondeson et al.
 8,061,918 B2 11/2011 Skalitzky et al.
 D658,954 S 5/2012 Bondeson et al.
 8,210,398 B2 7/2012 Bondeson et al.
 D667,709 S 9/2012 Bondeson et al.
 D678,374 S * 3/2013 Bondeson et al. D15/144.2
 2001/0009752 A1 7/2001 Reifenberger et al.
 2002/0109019 A1 8/2002 May
 2009/0095730 A1 4/2009 Ganzer et al.
 2009/0294014 A1 12/2009 Sennrich

OTHER PUBLICATIONS

Nordson Corporation, MiniBlue™ Hot Melt Dispensing Guns, Brochure, 2003.
 Nordson Corporation, MiniBlue™ II Hot Melt Dispensing Applicators, Brochure, 2010.

* cited by examiner

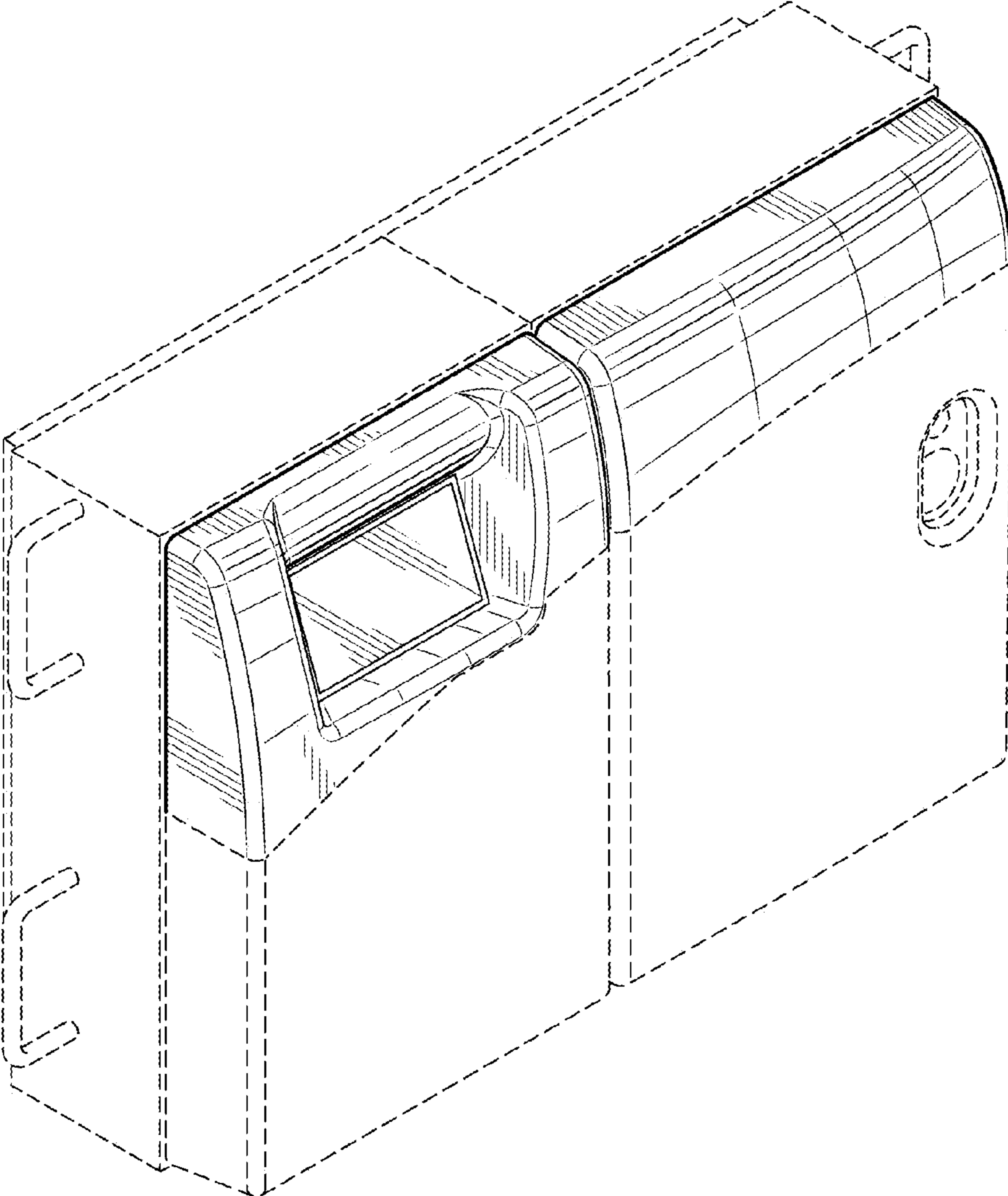


FIG. 1

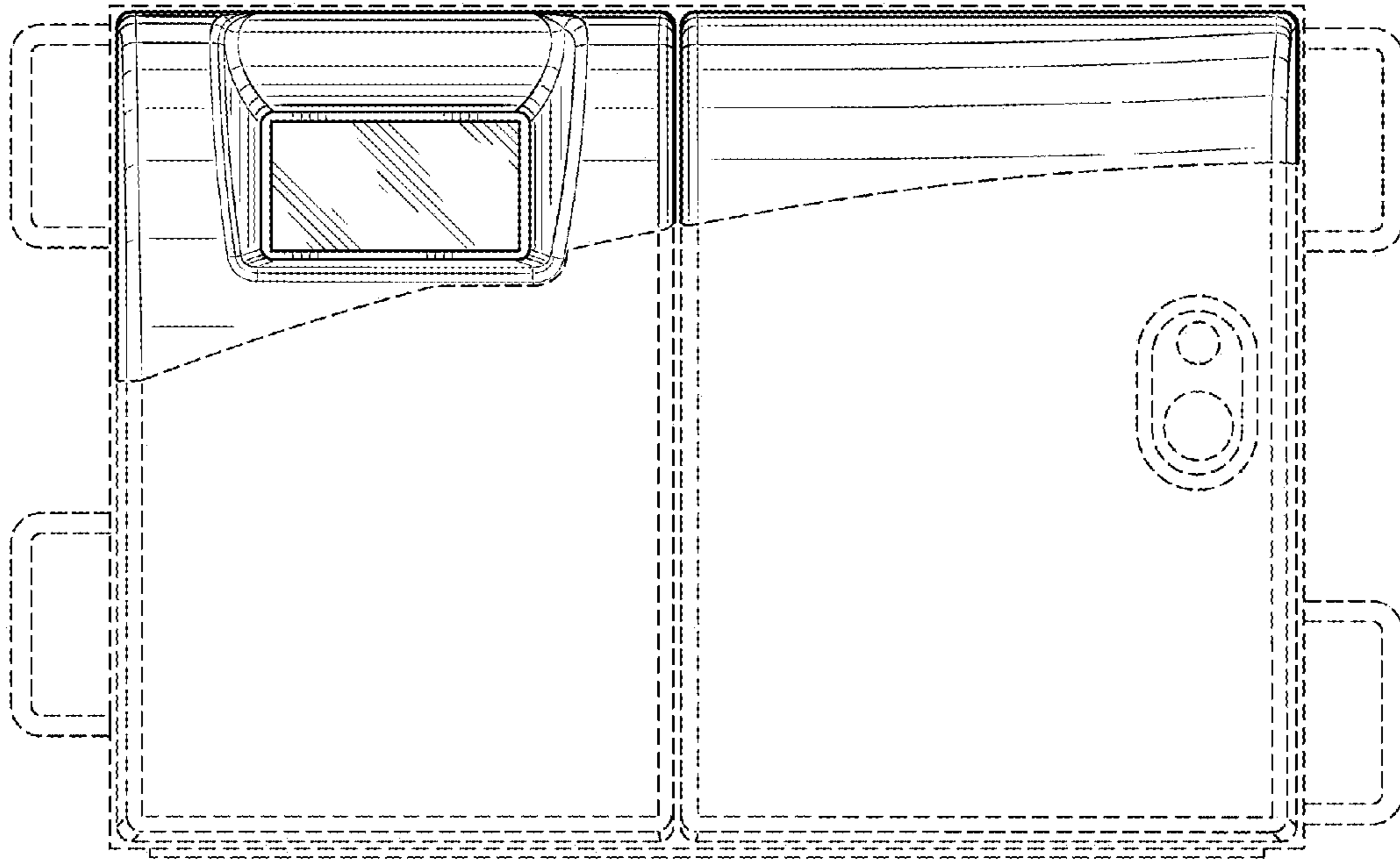


FIG. 2

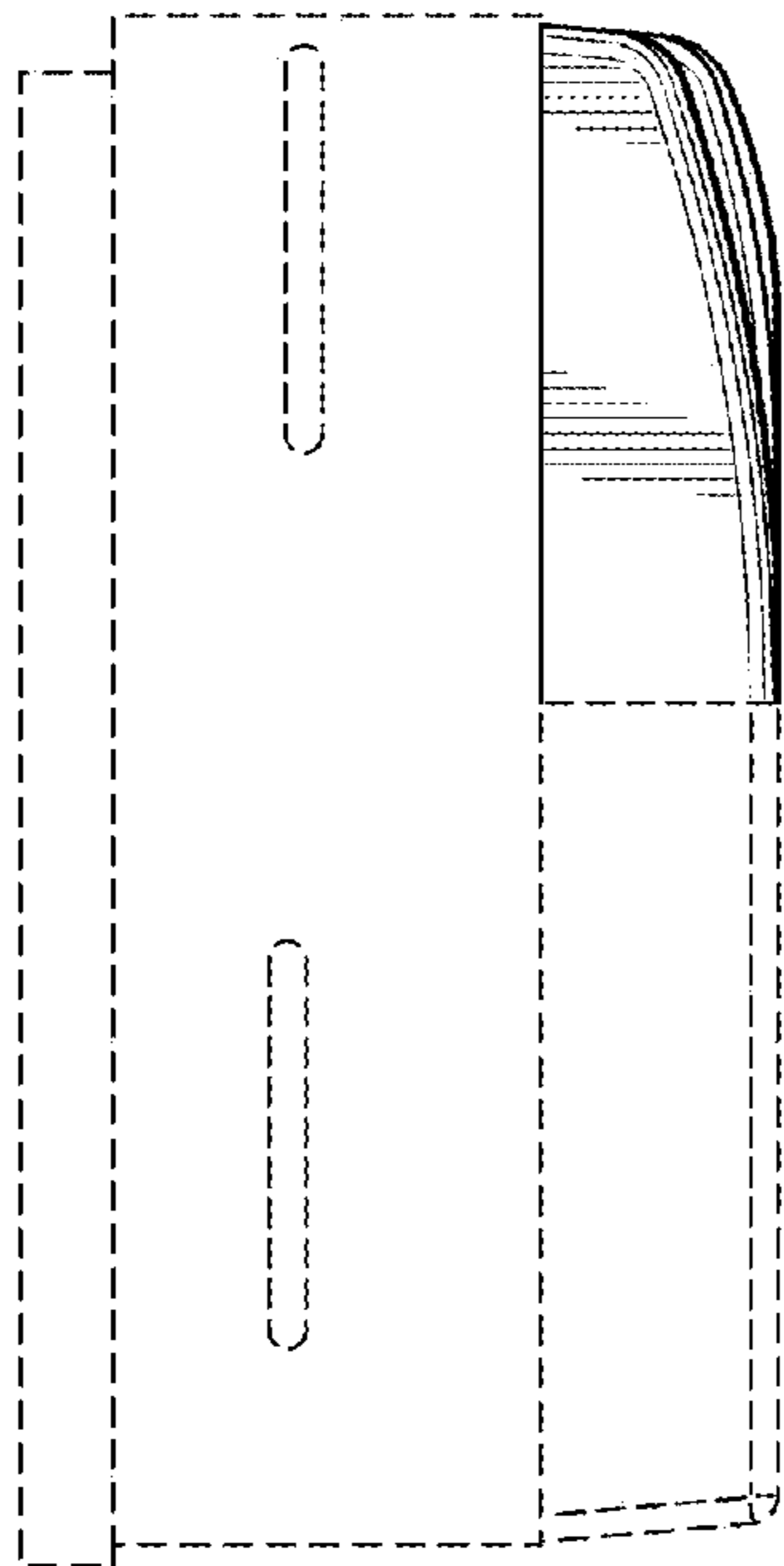


FIG. 3

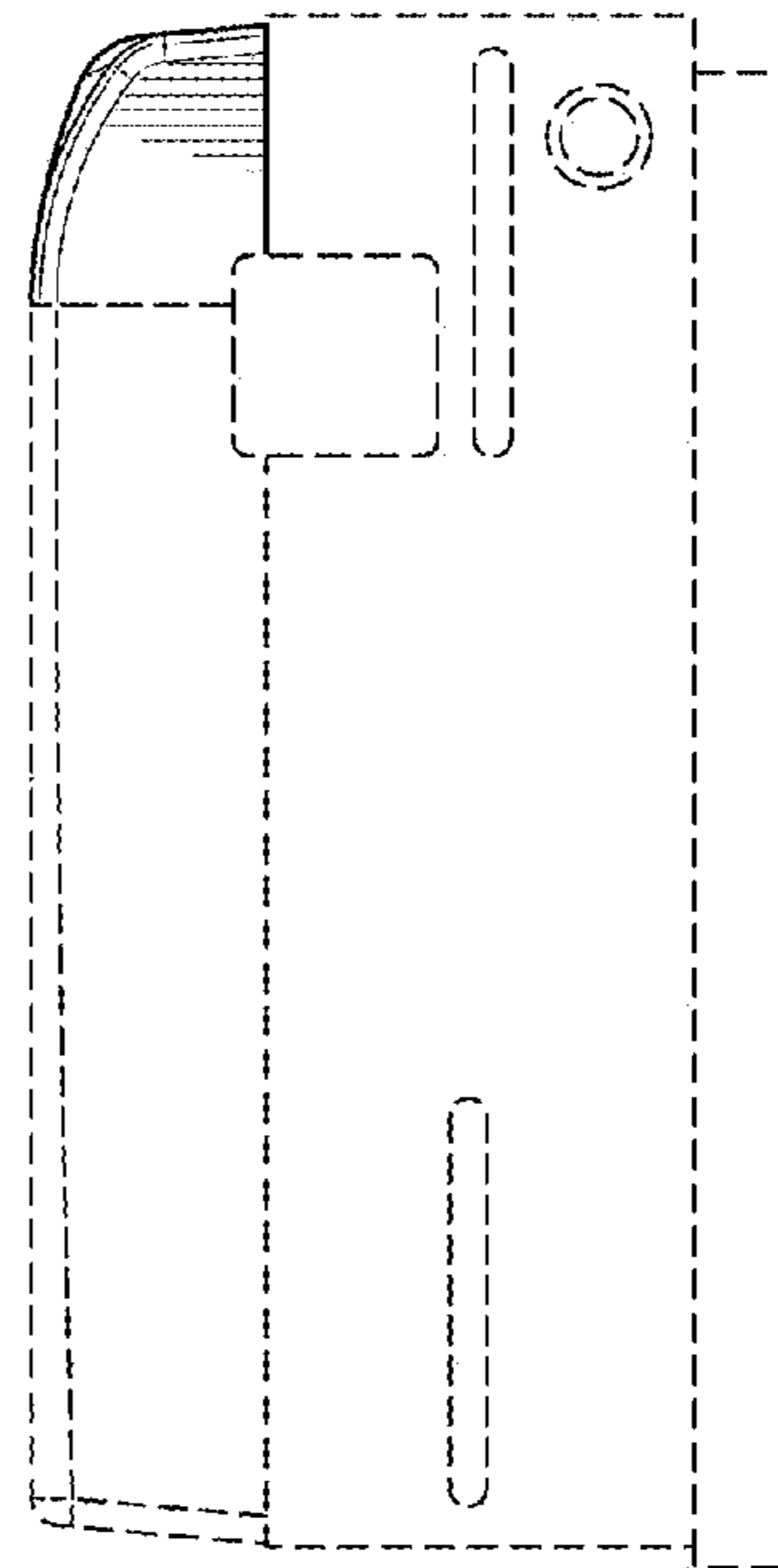


FIG. 4

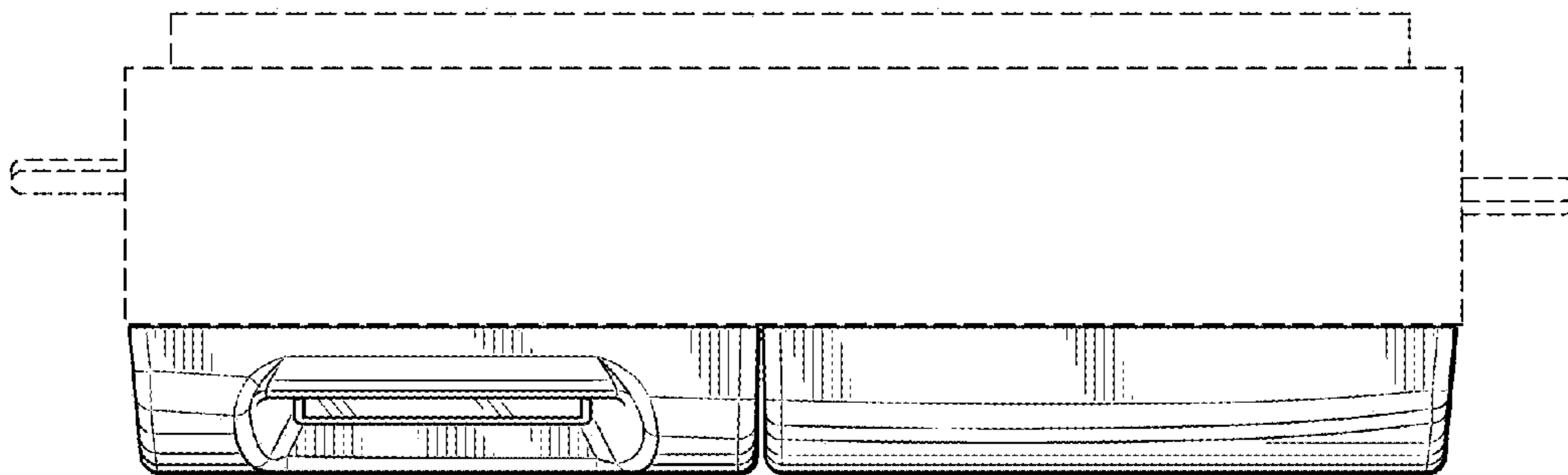


FIG. 5