



US00D693863S

(12) **United States Design Patent**
Takagi et al.

(10) **Patent No.:** **US D693,863 S**

(45) **Date of Patent:** **** Nov. 19, 2013**

(54) **ELECTRICAL CYLINDER**

(75) Inventors: **Shigeyuki Takagi**, Shinshiro (JP); **Kyoji Furukawa**, Shinshiro (JP)

(73) Assignee: **Sintokogio, Ltd.**, Nagoya-Shi, Aichi (JP)

(**) Term: **14 Years**

(21) Appl. No.: **29/407,123**

(22) Filed: **Nov. 23, 2011**

(30) **Foreign Application Priority Data**

May 26, 2011 (JP) D2011-011774
Aug. 22, 2011 (JP) D2011-018917

(51) **LOC (9) Cl.** **15-09**

(52) **U.S. Cl.**
USPC **D15/143; D15/199**

(58) **Field of Classification Search**
USPC D13/118, 158, 162, 184; D15/1-5, 7, 9,
D15/143, 48, 149, 199; 74/89.15, 90.15,
74/411.5, 411.54, 490.09; 297/14, 325,
297/327; 310/10, 12, 15, 20, 20.8, 80, 300
See application file for complete search history.

(56) **References Cited**

U.S. PATENT DOCUMENTS

D266,851 S * 11/1982 Wada et al. D15/122
D540,355 S * 4/2007 Nagai et al. D15/143
D542,314 S * 5/2007 Nagai et al. D15/143
D543,221 S * 5/2007 Nagai et al. D15/143

* cited by examiner

Primary Examiner — Patricia Palasik

(74) *Attorney, Agent, or Firm* — Leydig, Voit & Mayer Ltd.

(57) **CLAIM**

The ornamental design for a electric cylinder, as shown and described.

DESCRIPTION

FIG. 1 is a front view of a electric cylinder of the present invention.

FIG. 2 is a rear view of the electric cylinder of FIG. 1.

FIG. 3 is a top plan view of the electric cylinder of FIG. 1.

FIG. 4 is a bottom view of the electric cylinder of FIG. 1.

FIG. 5 is a right side view of the electric cylinder of FIG. 1.

FIG. 6 is a left side view of the electric cylinder of FIG. 1.

FIG. 7 is a reference perspective view of the electric cylinder of FIG. 1.

FIG. 8 is a front view of another electric cylinder of the present invention.

FIG. 9 is a rear view of the electric cylinder of FIG. 8.

FIG. 10 is a top plan view of the electric cylinder of FIG. 8.

FIG. 11 is a bottom view of the electric cylinder of FIG. 8.

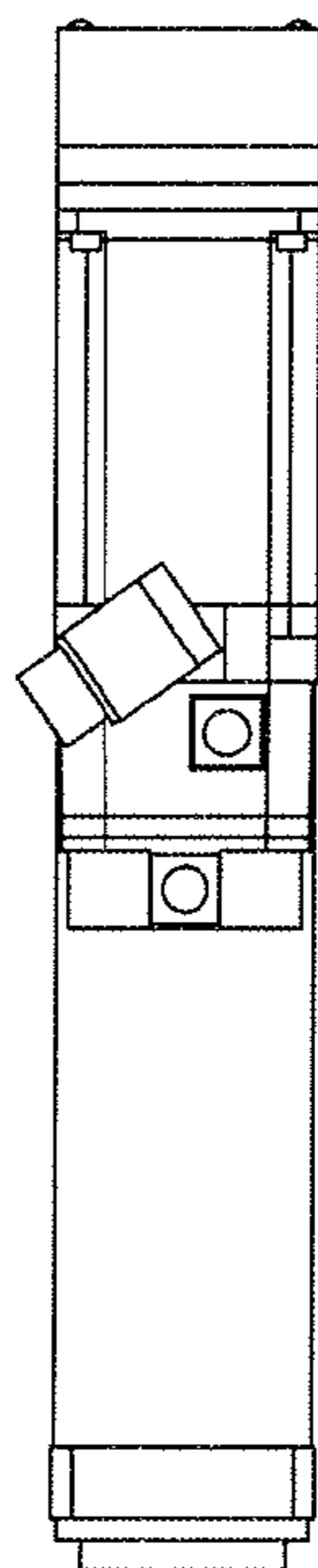
FIG. 12 is a right side view of the electric cylinder of FIG. 8.

FIG. 13 is a left side view of the electric cylinder of FIG. 8;

and,

FIG. 14 is a reference perspective view of the electric cylinder of FIG. 8.

1 Claim, 14 Drawing Sheets



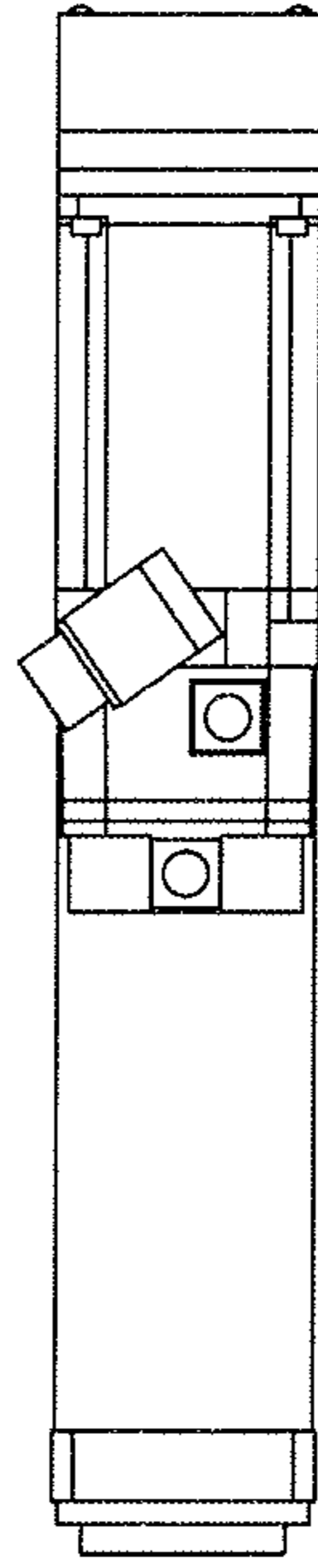


FIG. 1

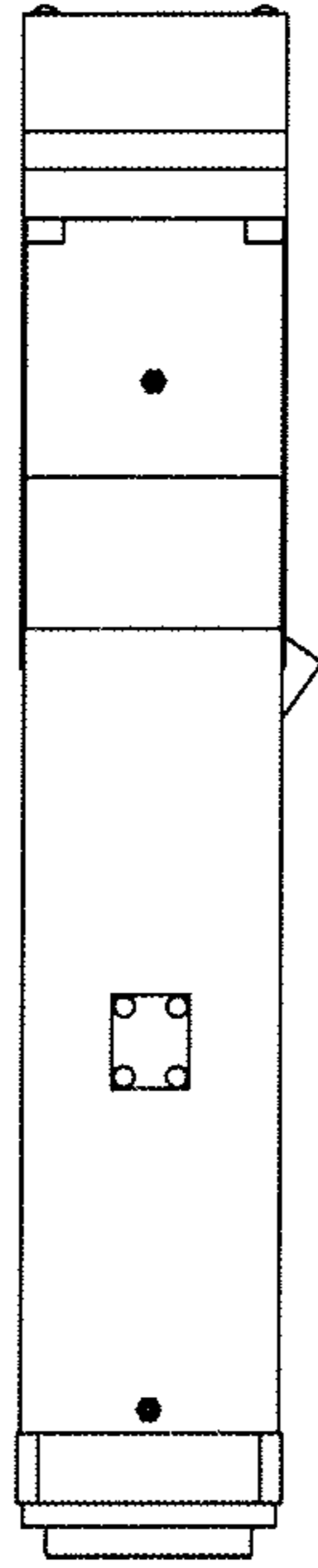


FIG. 2

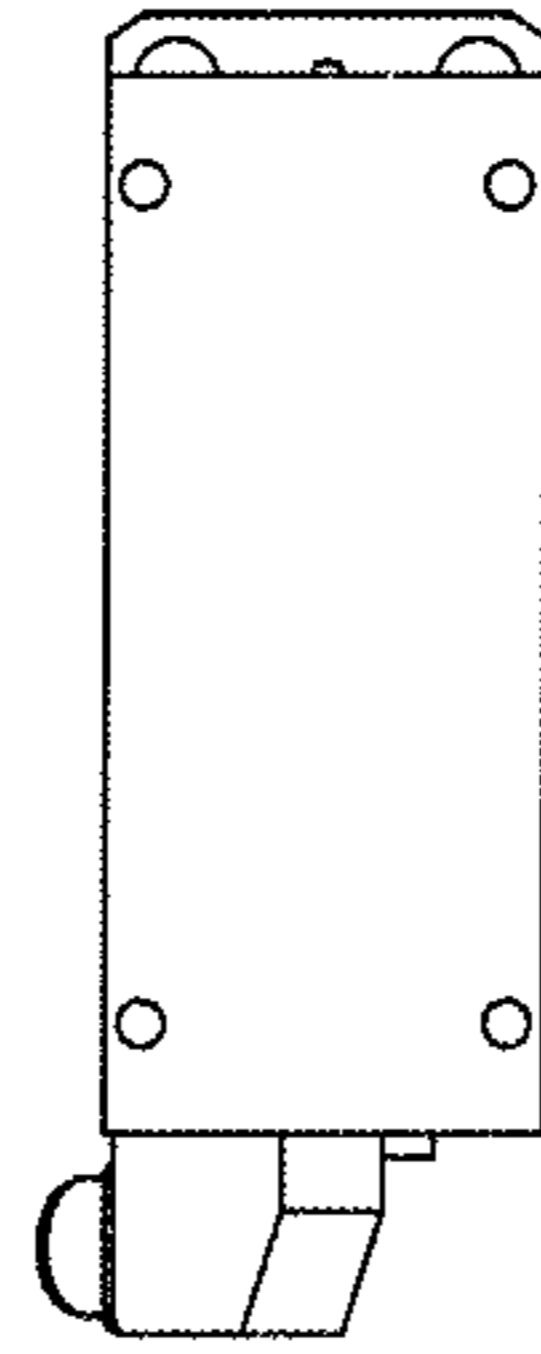


FIG. 3

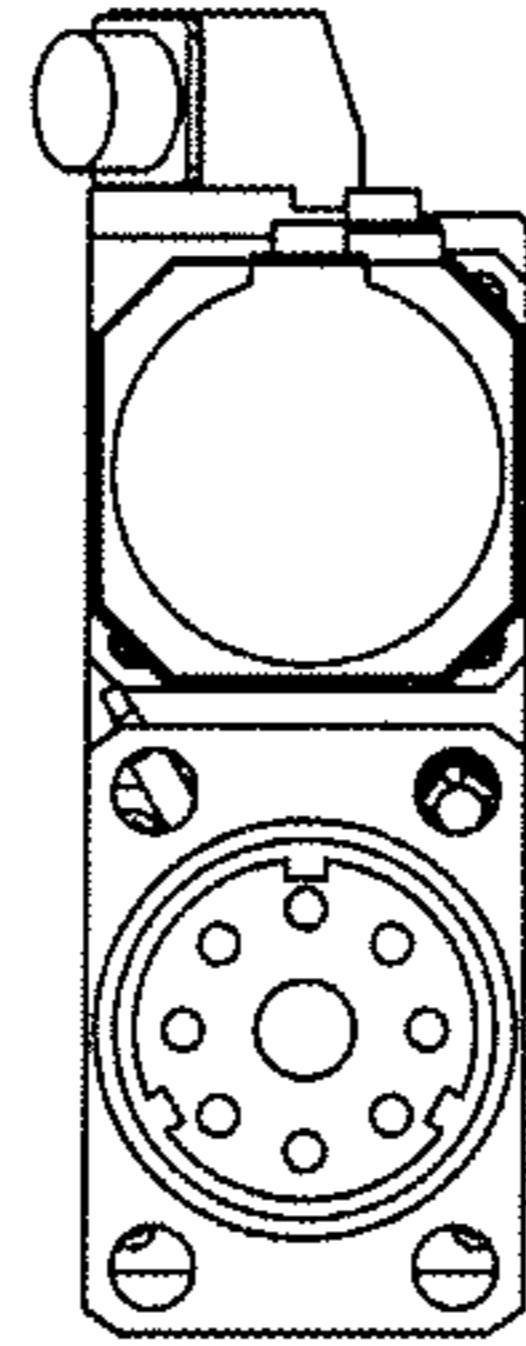


FIG. 4

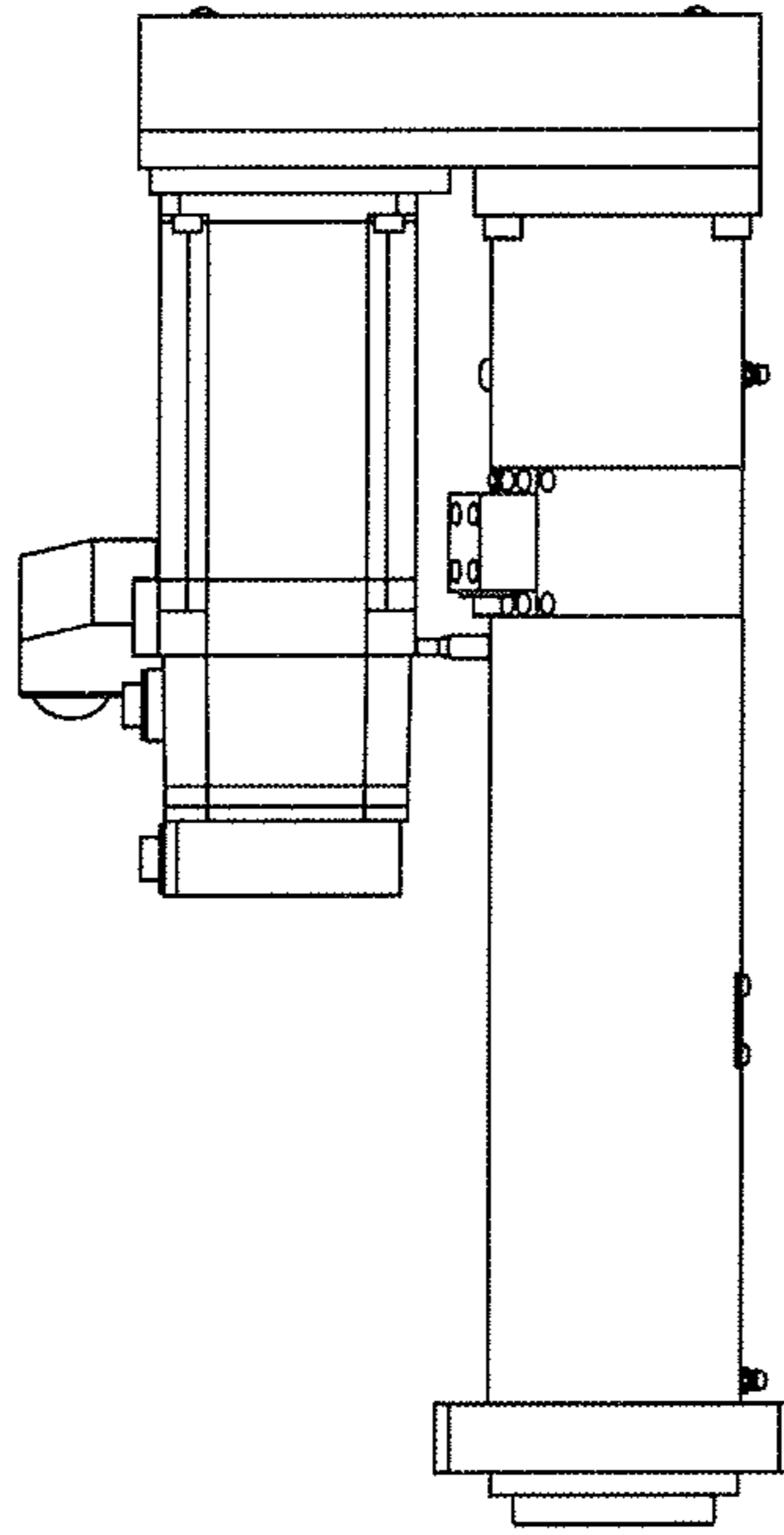


FIG. 5

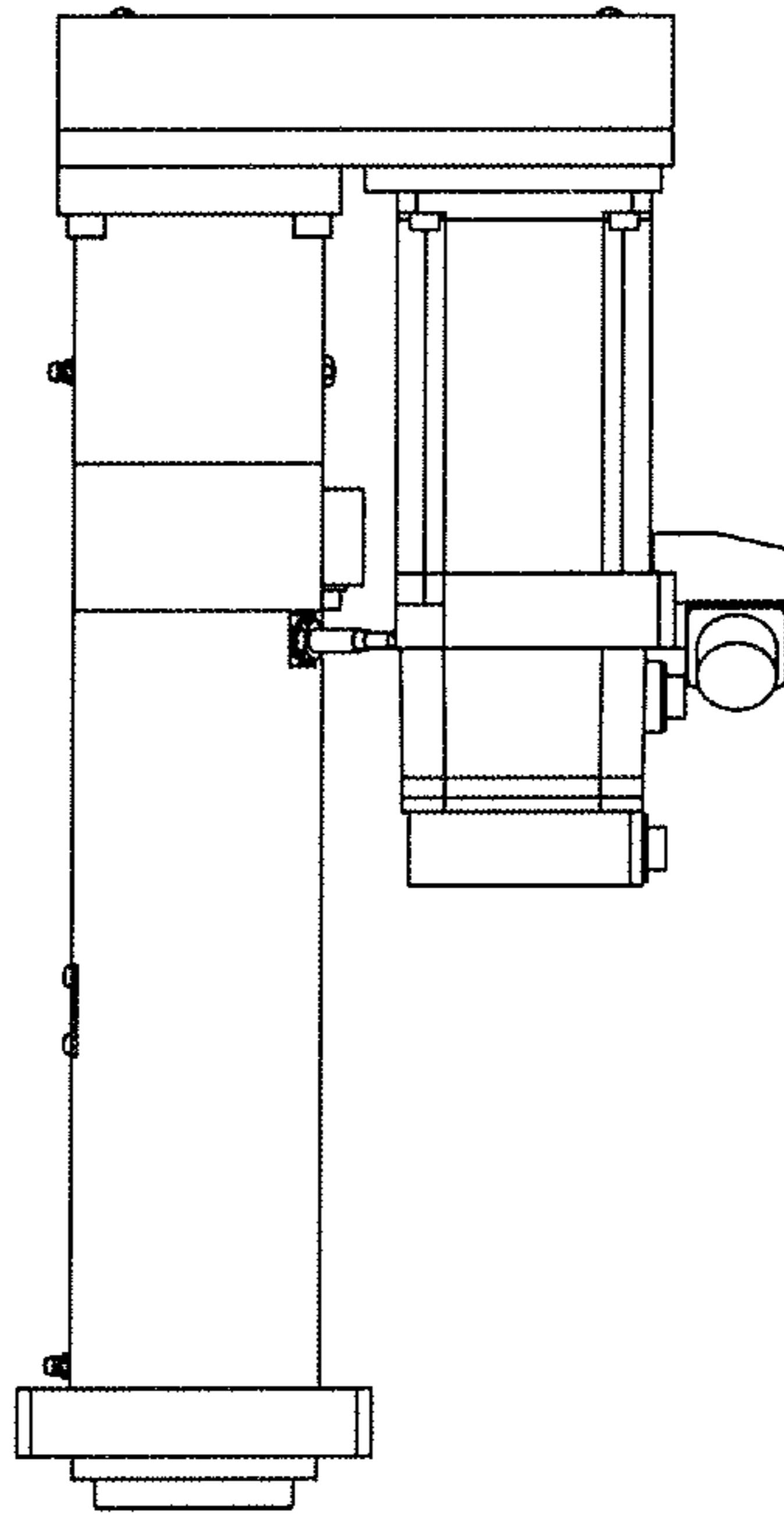


FIG. 6

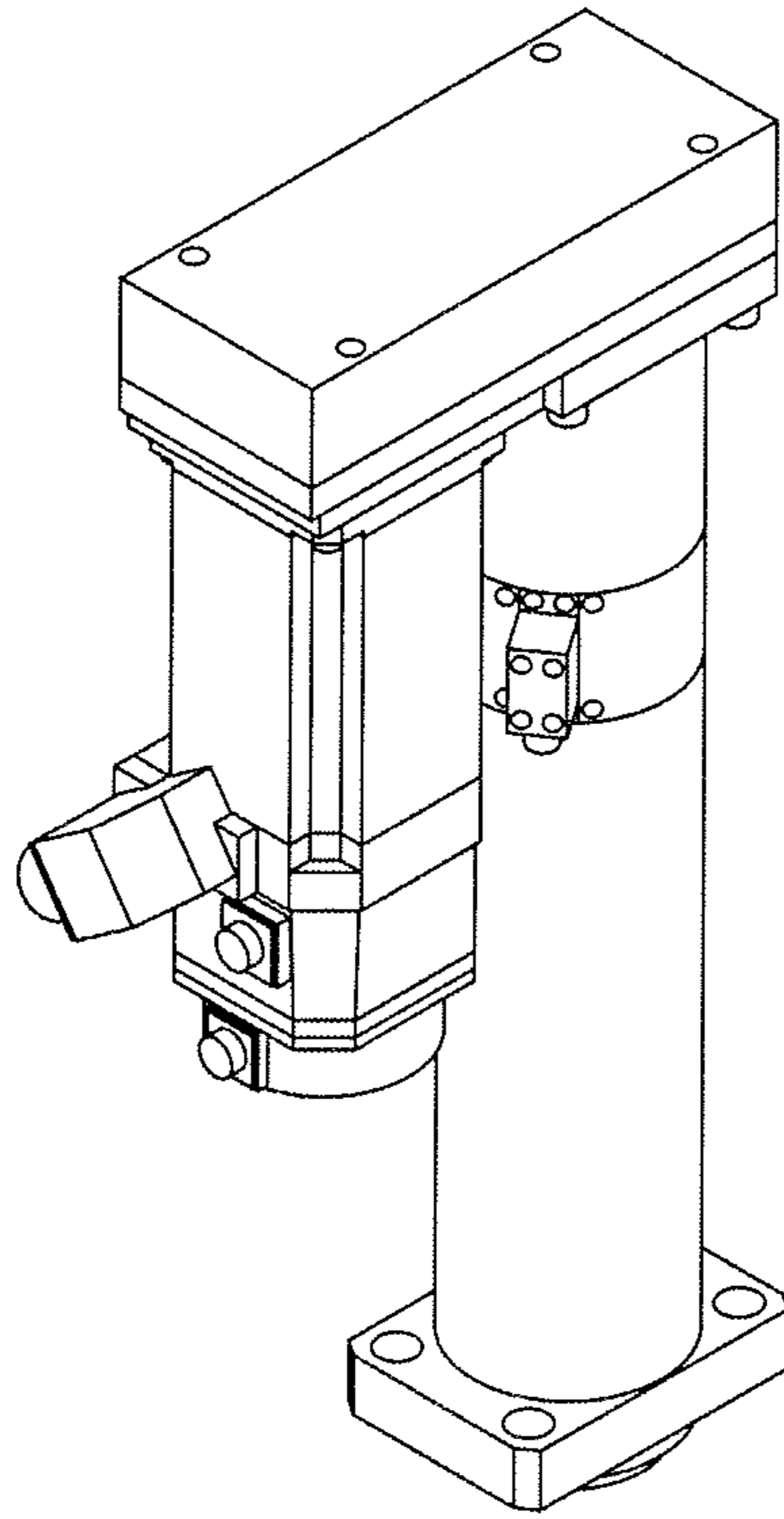


FIG. 7

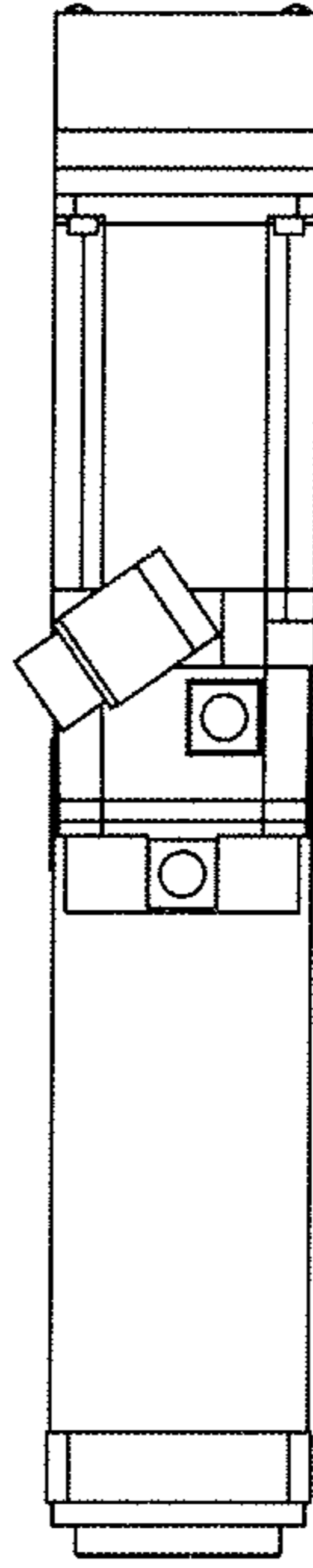


FIG. 8

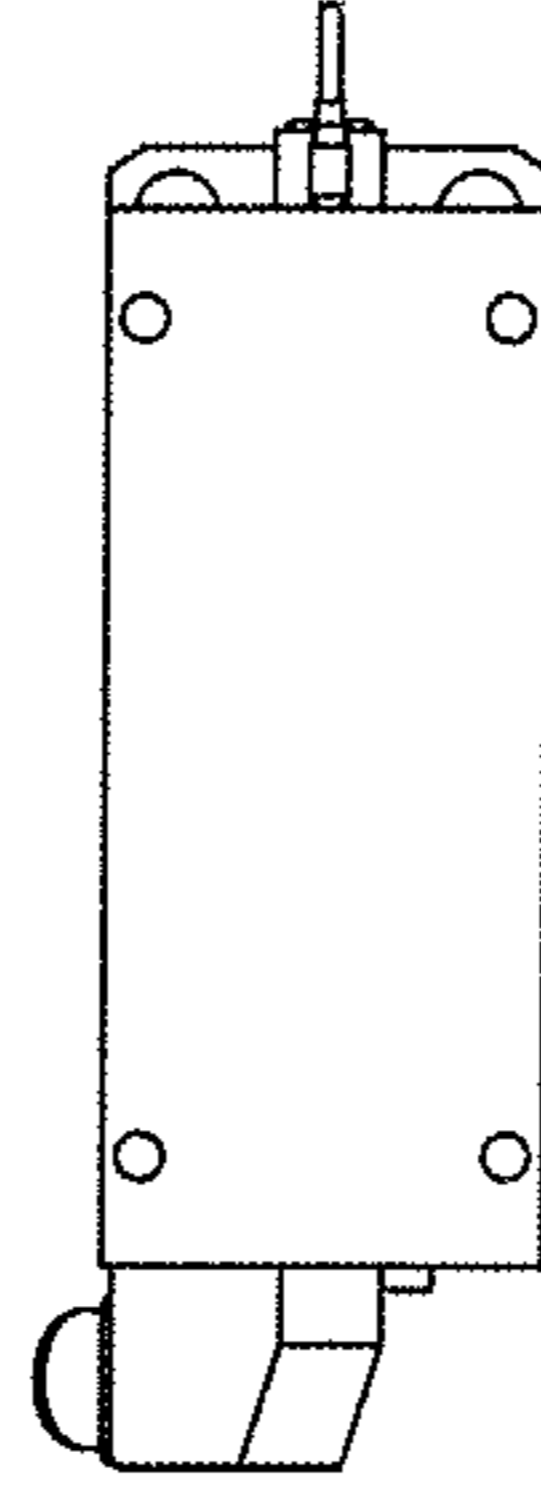


FIG. 10

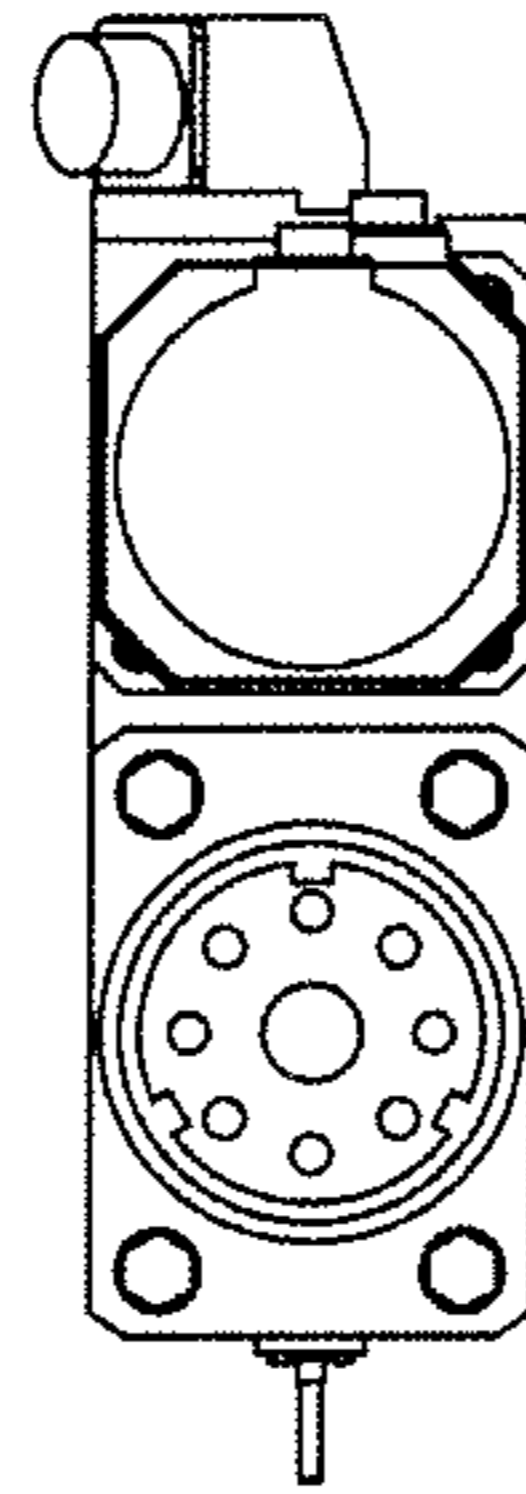


FIG. 11

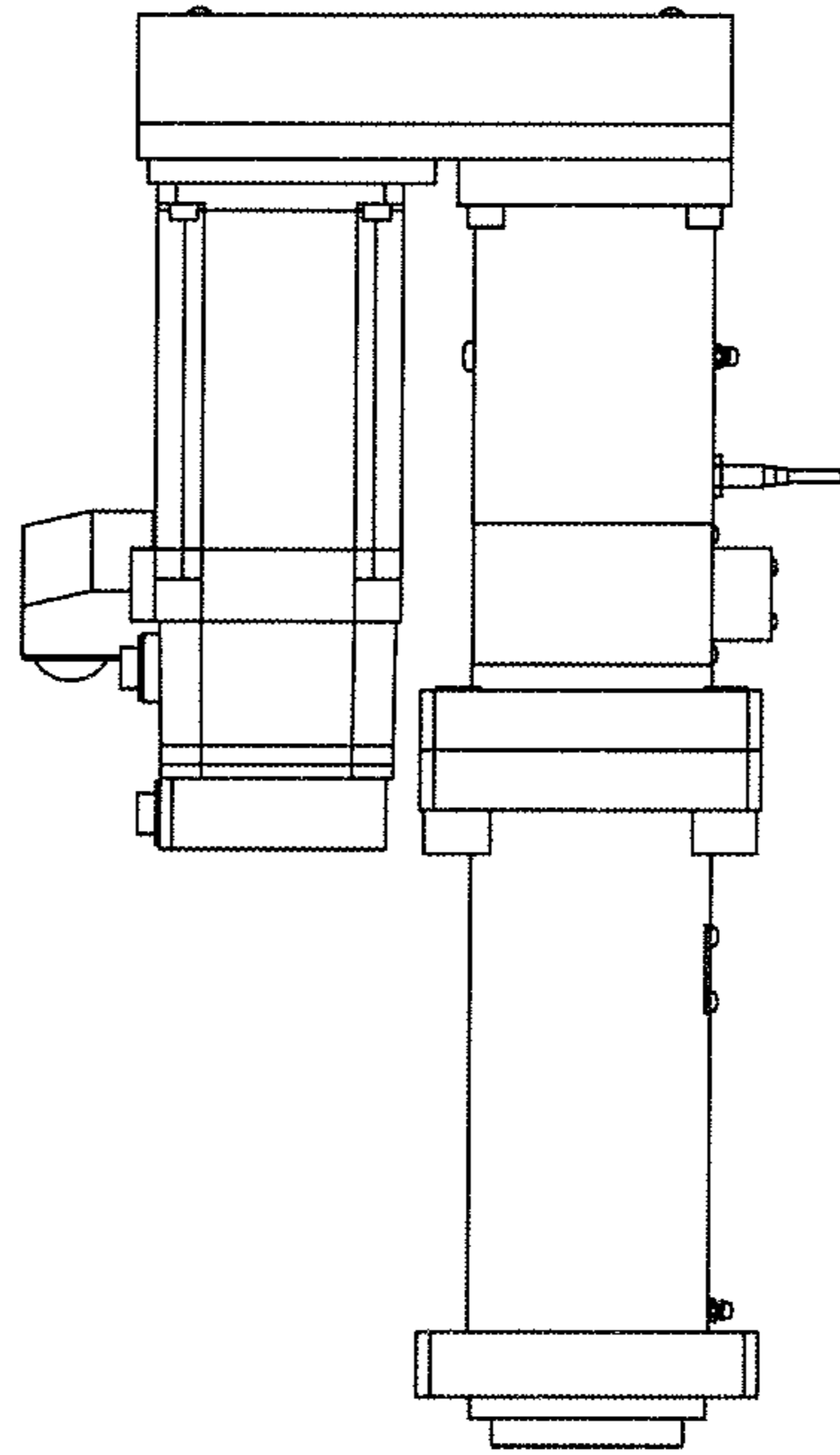


FIG.12

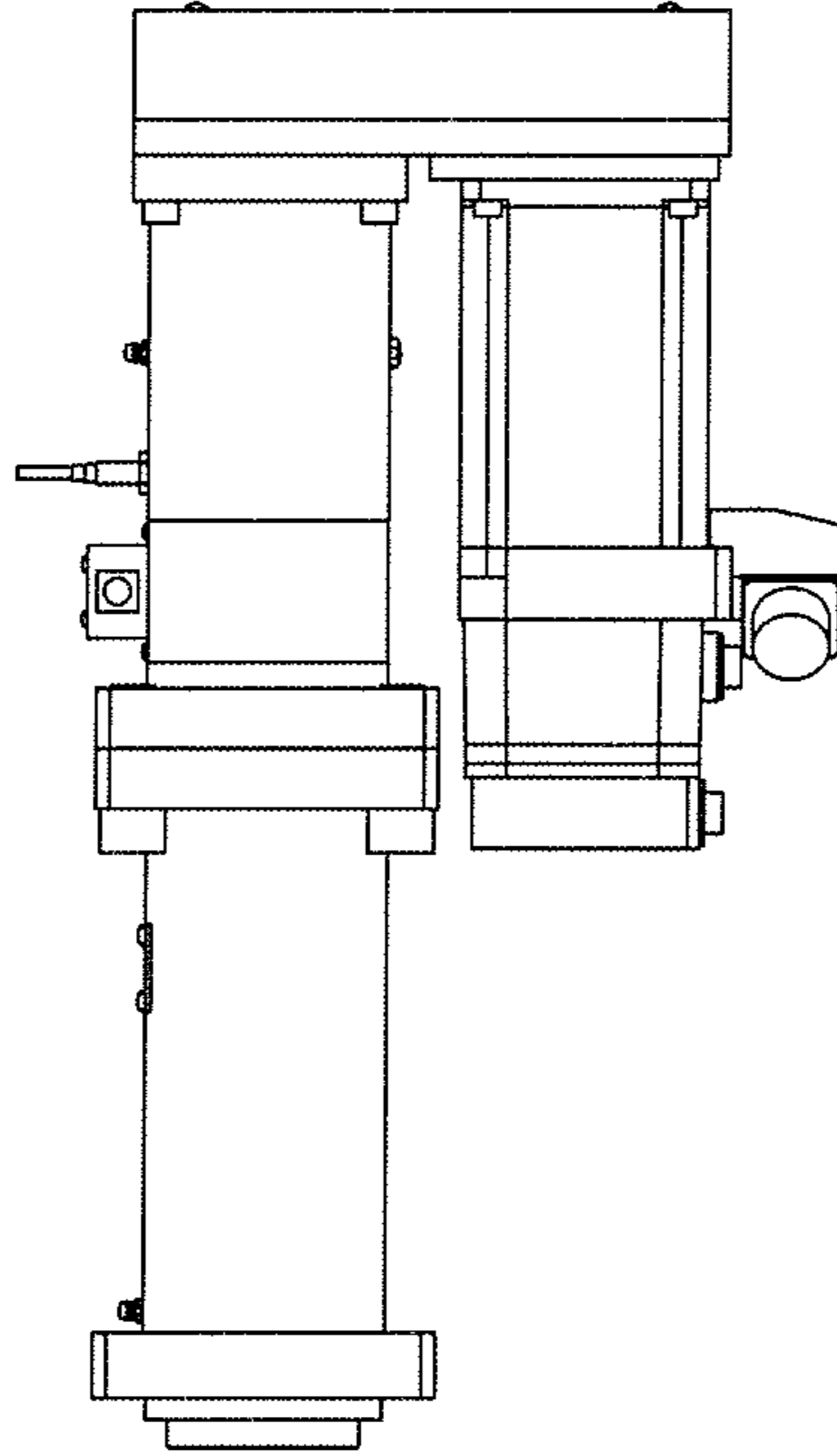


FIG. 13

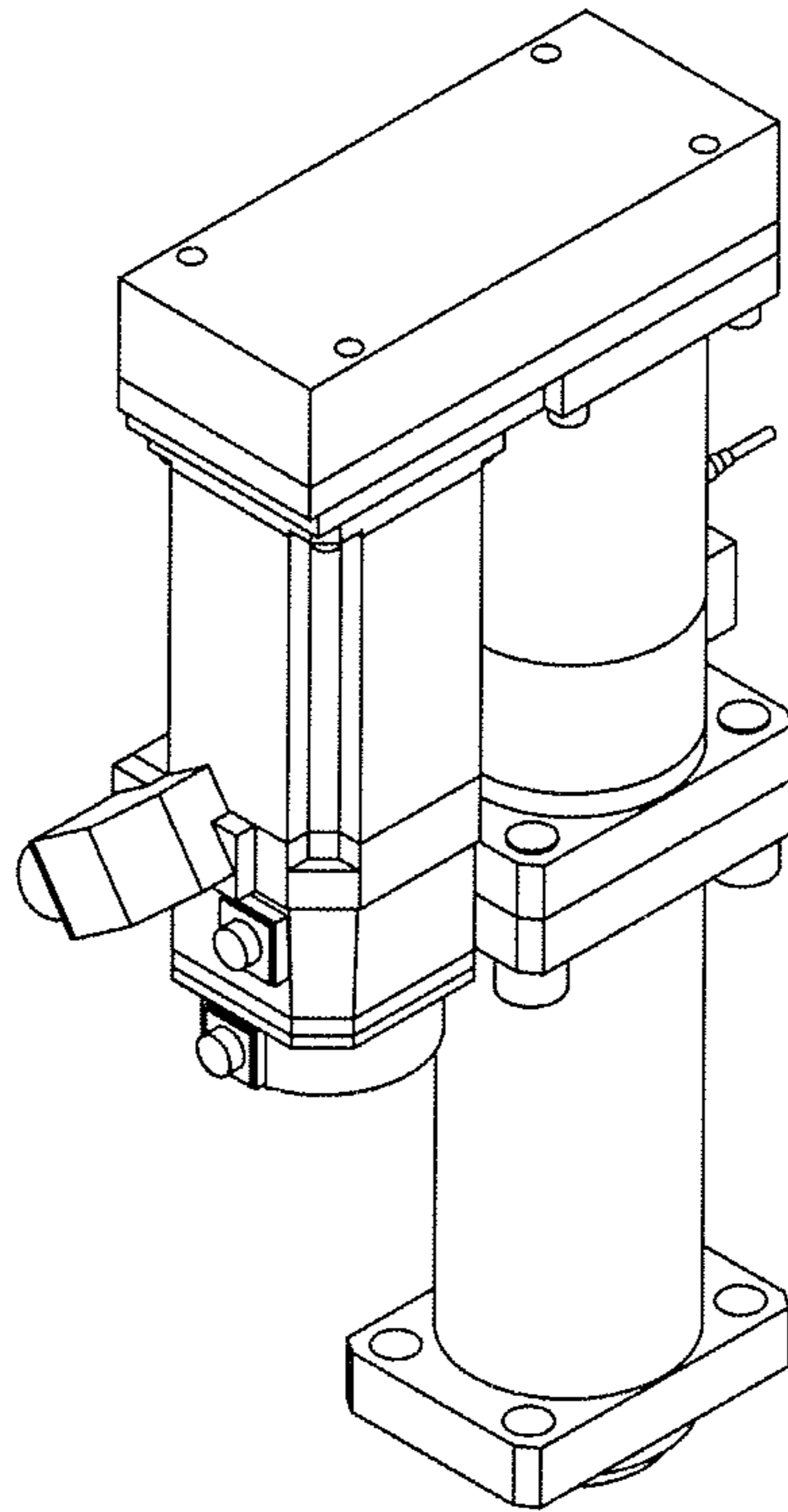


FIG. 14