

US00D693860S

(12) **United States Design Patent**  
**Hare et al.**

(10) **Patent No.:** **US D693,860 S**

(45) **Date of Patent:** **\*\* Nov. 19, 2013**

(54) **AUGER HANDLE BAR**

(75) Inventors: **David Hare**, Comstock, WI (US);  
**Robert J. Ruppel**, Cumberland, WI (US)

(73) Assignee: **Ardisam, Inc.**, Cumberland, WI (US)

(\*\*) Term: **14 Years**

(21) Appl. No.: **29/429,831**

(22) Filed: **Aug. 17, 2012**

(51) **LOC (9) Cl.** ..... **15-09**

(52) **U.S. Cl.**  
USPC ..... **D15/138**

(58) **Field of Classification Search**  
USPC ..... D3/12, 17; D6/417; D8/388, 391;  
D15/138; D21/840; 135/15.1, 16, 44,  
135/118; 173/28, 148, 184; 175/18, 28, 57,  
175/62, 170, 184, 323, 385, 394; 248/156,  
248/533; 299/24; 405/132, 137; 408/86,  
408/230

See application file for complete search history.

(56) **References Cited**

**U.S. PATENT DOCUMENTS**

3,080,006	A *	3/1963	Brolin	175/18
D215,497	S *	10/1969	Frohnauer	D15/20
D263,293	S *	3/1982	Janson	D12/178
D307,257	S *	4/1990	Tsai	D12/178
D337,748	S *	7/1993	Adams	D12/178
D384,925	S *	10/1997	Pawsat et al.	D12/178
5,673,761	A *	10/1997	Berner	175/18
5,733,071	A *	3/1998	Shudo	405/271
6,076,617	A *	6/2000	Berner	175/18
6,626,250	B1 *	9/2003	Ham	175/18
D487,416	S *	3/2004	Lin	D12/179
7,065,837	B2 *	6/2006	Kruepke	16/430

7,143,662	B2 *	12/2006	Hobson, Jr.	74/551.3
D542,810	S *	5/2007	Tanaka et al.	D15/20
7,226,058	B2 *	6/2007	Bouchard	280/15
D602,318	S *	10/2009	Chesness	D8/10
7,677,336	B2 *	3/2010	Gent	175/62
D626,388	S *	11/2010	Greenly et al.	D8/10
2001/0002967	A1 *	6/2001	Hedlund	404/133.05
2002/0175005	A1 *	11/2002	Chou	175/394
2003/0175078	A1 *	9/2003	Sina et al.	404/133.1
2005/0000736	A1 *	1/2005	Maki	175/394
2006/0254818	A1 *	11/2006	Pepple	175/18
2012/0073877	A1 *	3/2012	Jakubczak et al.	175/57
2012/0318577	A1 *	12/2012	Ruppel et al.	175/18
2013/0014996	A1 *	1/2013	Ruppel et al.	175/170

\* cited by examiner

*Primary Examiner* — Patricia Palasik

(74) *Attorney, Agent, or Firm* — Stoel Rives LLP

(57) **CLAIM**

The ornamental design for an auger handle bar, as shown and described.

**DESCRIPTION**

FIG. 1 is an isometric view of an auger handle bar showing the new design;

FIG. 2 is a front elevation view thereof, the back elevation view thereof being a mirror image of the front elevation view; FIG. 3 is a left elevation view thereof, the right elevation view thereof being a mirror image of the left elevation view thereof;

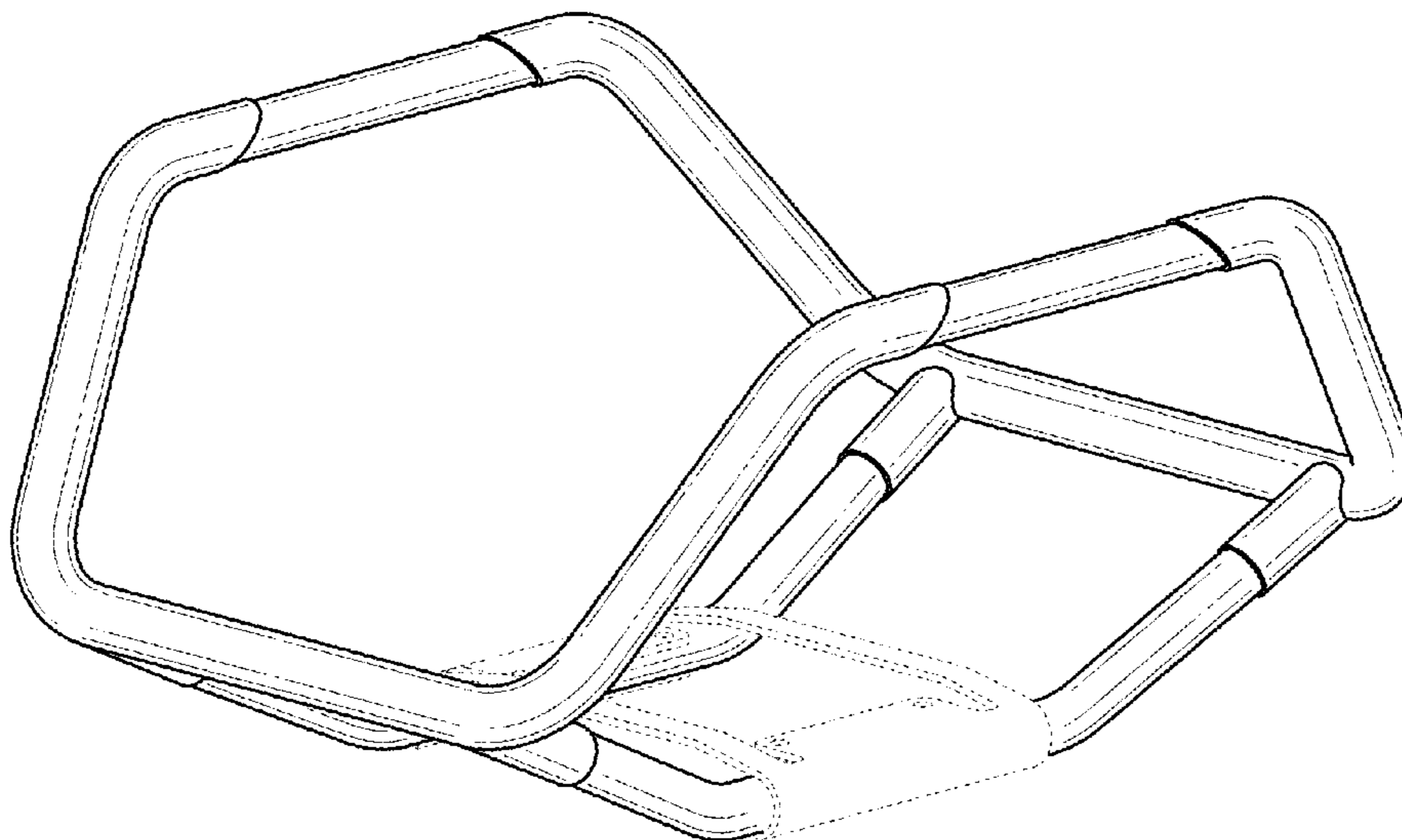
FIG. 4 is a top plan view thereof;

FIG. 5 is a bottom plan view thereof; and,

FIG. 6 is a another left elevation view of the auger handle bar of FIGS. 1-5 illustrating environment.

The broken lines in FIGS. 1-6 are for illustrative purposes only and form no part of the claimed design.

**1 Claim, 5 Drawing Sheets**



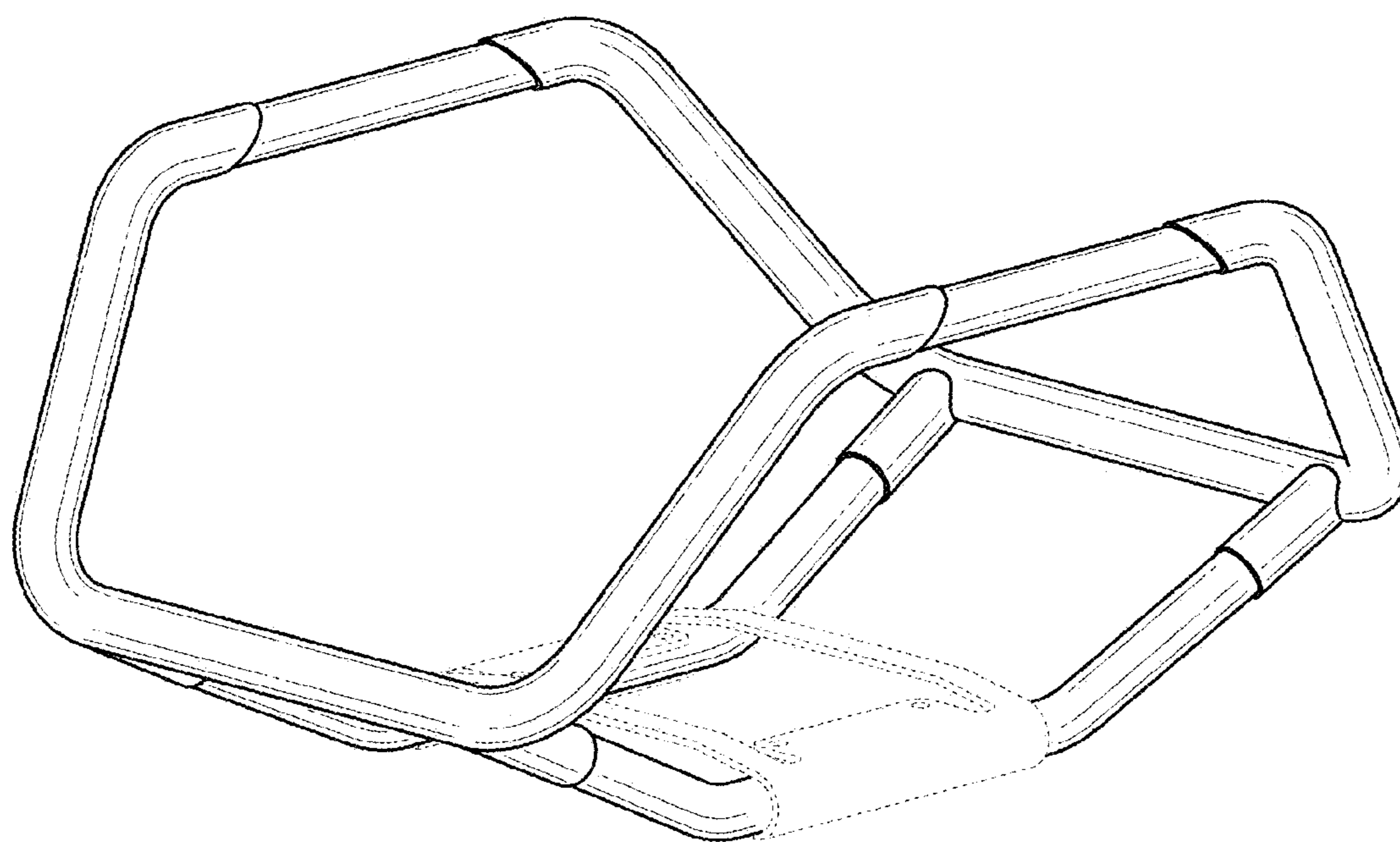


Fig. 1

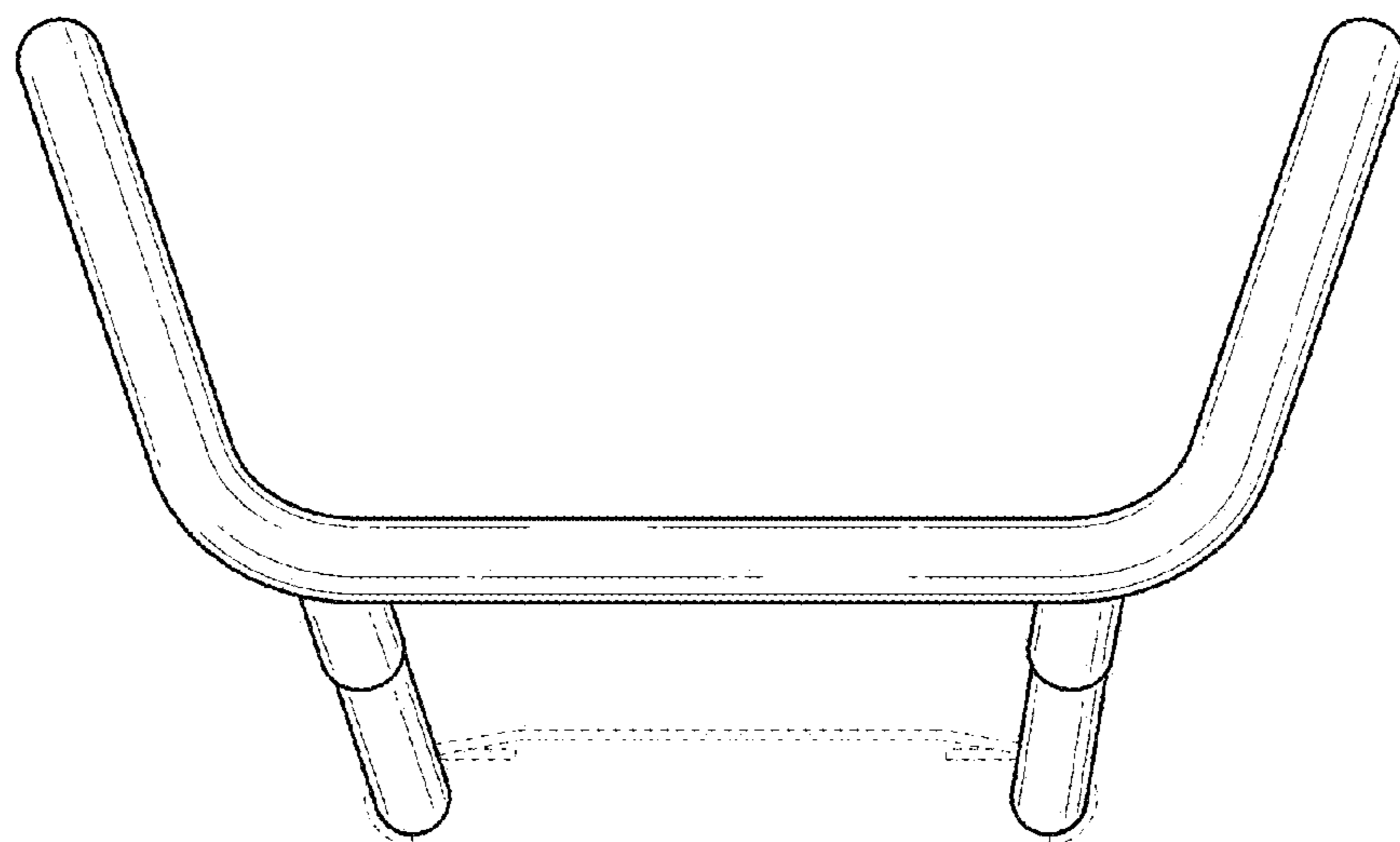


Fig. 2

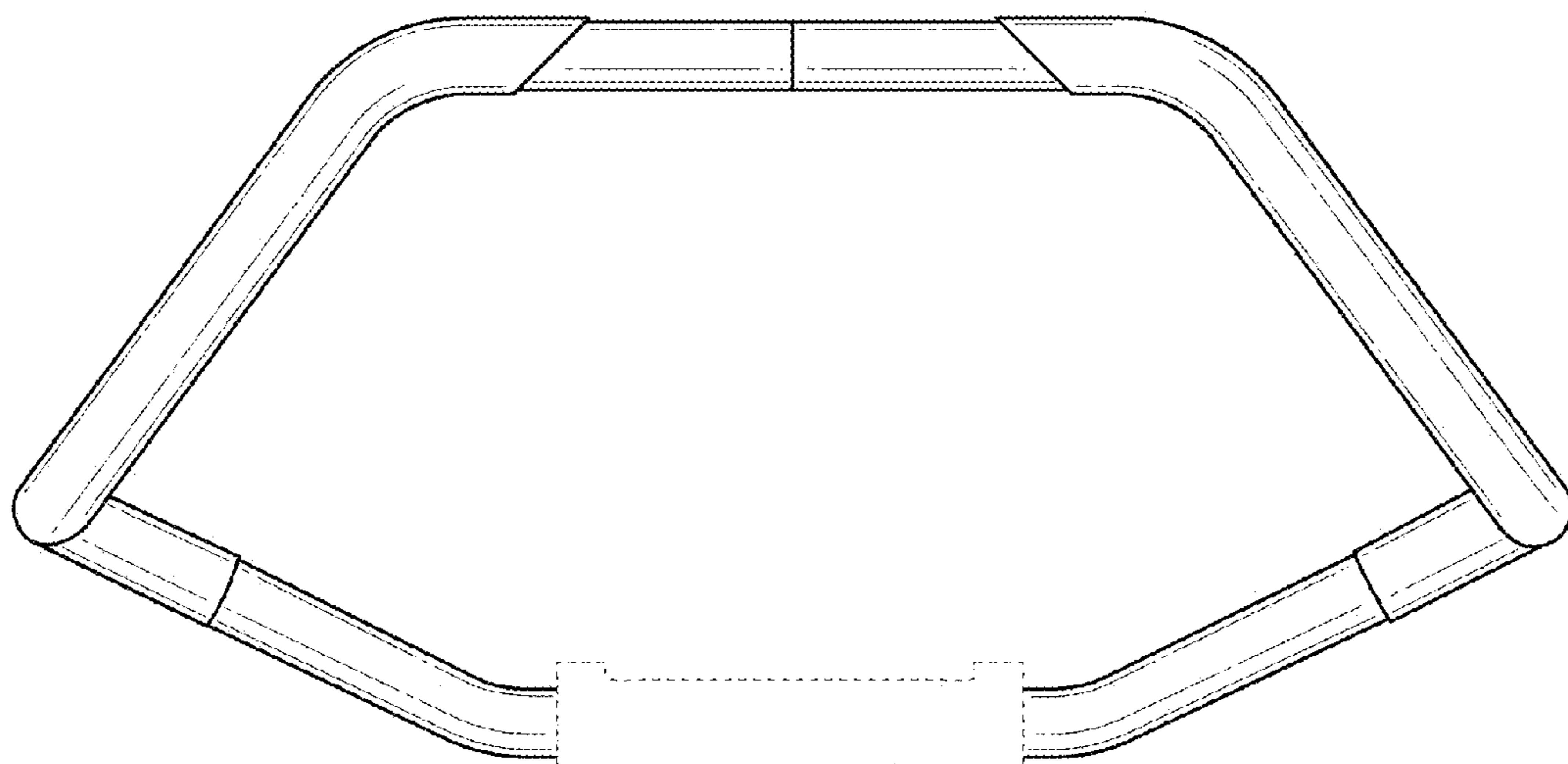


Fig. 3

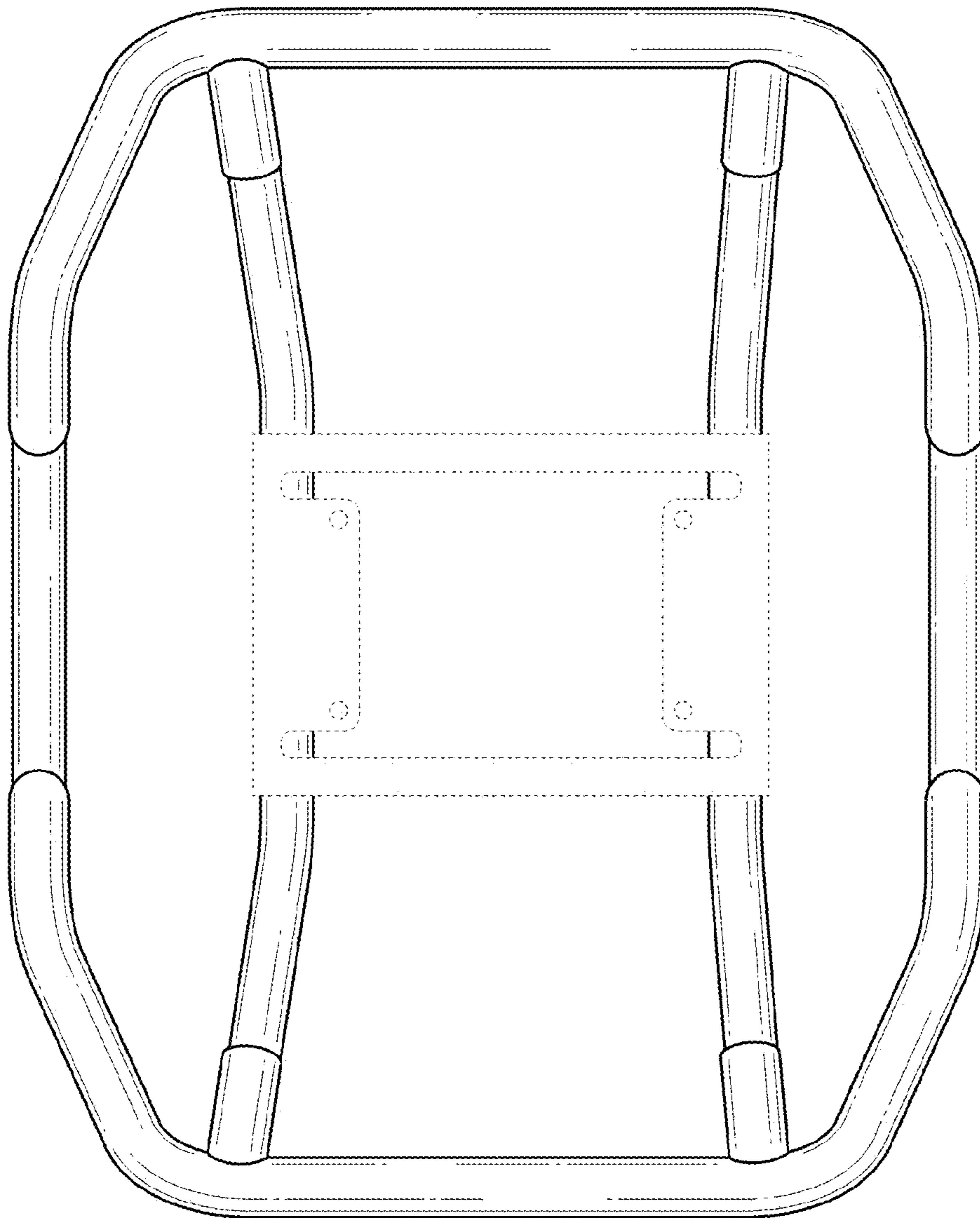


Fig. 4

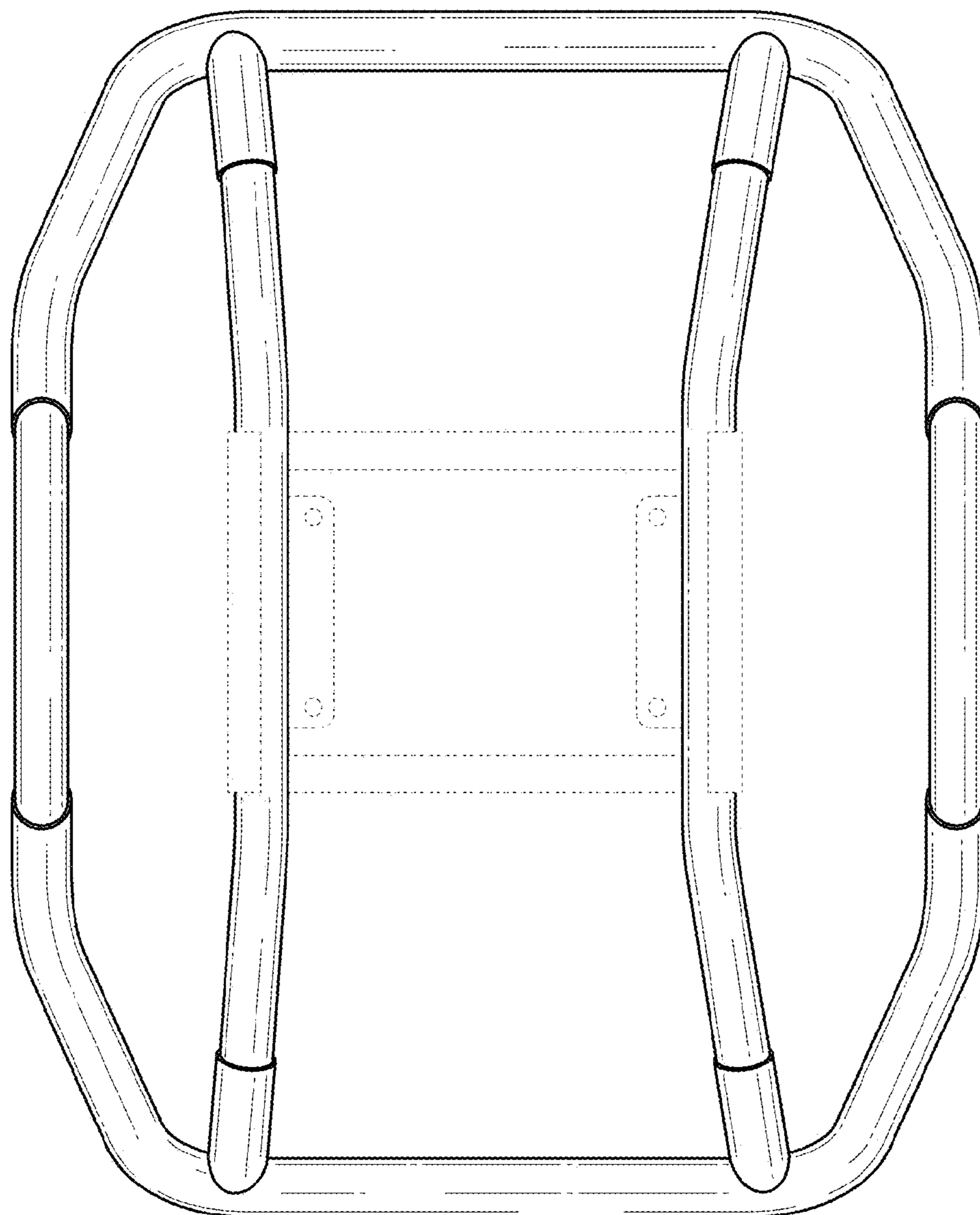


Fig. 5

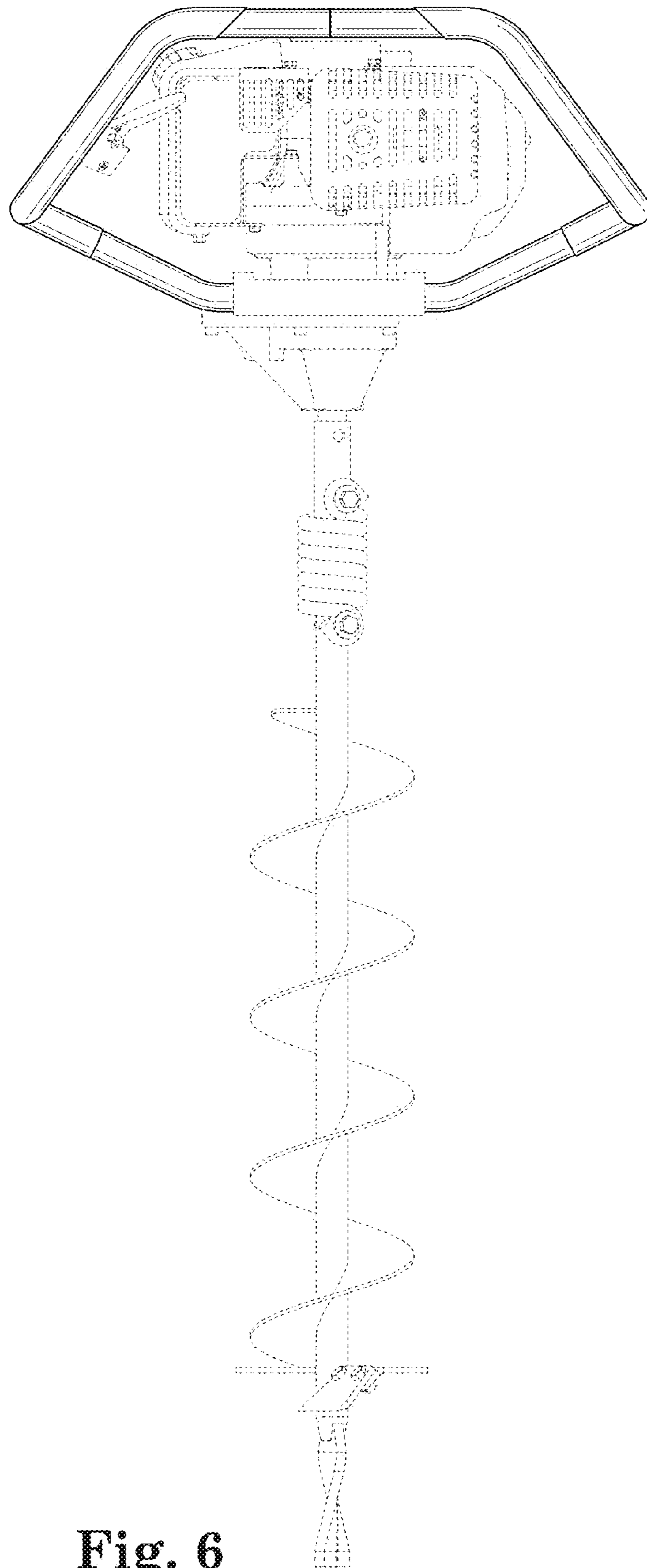


Fig. 6