

US00D693857S

(12) **United States Design Patent**  
**Hiraoka et al.**

(10) **Patent No.:** **US D693,857 S**

(45) **Date of Patent:** **\*\* Nov. 19, 2013**

(54) **COVER FOR CONSTRUCTION MACHINE**

(71) Applicant: **Hitachi Construction Machinery Co., Ltd., Tokyo (JP)**

(72) Inventors: **Kazuhiko Hiraoka, Kodaira (JP); Tsuyoshi Ueki, Omitama (JP); Yukihiro Tatsuno, Tsukuba (JP); Hidefumi Hiramatsu, Shanghai (CN)**

(73) Assignee: **Hitachi Construction Machinery Co., Ltd., Tokyo (JP)**

(\*\*) Term: **14 Years**

(21) Appl. No.: **29/451,880**

(22) Filed: **Apr. 10, 2013**

(30) **Foreign Application Priority Data**

Oct. 23, 2012 (JP) ..... 2012-025692

(51) **LOC (9) Cl.** ..... **15-03**

(52) **U.S. Cl.**  
USPC ..... **D15/28**

(58) **Field of Classification Search**  
USPC ..... D15/22-26, 28, 30, 31, 33, 10;  
180/89.1, 89.12, 235, 900, 298, 68.5;  
414/685, 686, 694, 722, 680, 724, 699;  
280/400

See application file for complete search history.

(56) **References Cited**

**U.S. PATENT DOCUMENTS**

D284,577 S \* 7/1986 DuBose ..... D15/28  
D287,499 S \* 12/1986 Takamatsu et al. .... D15/30  
D433,689 S \* 11/2000 Kraft et al. .... D15/30

6,502,896 B1 \* 1/2003 Nakata et al. .... 296/190.05  
D487,100 S \* 2/2004 Tokach et al. .... D15/30  
D487,575 S \* 3/2004 Wetzel et al. .... D15/33  
D506,211 S \* 6/2005 Kuwae et al. .... D15/33  
D528,568 S \* 9/2006 Kuwae et al. .... D15/28  
D558,798 S \* 1/2008 Sakitani et al. .... D15/28  
D576,182 S \* 9/2008 Murakami et al. .... D15/28  
D582,946 S \* 12/2008 Ochi et al. .... D15/28  
D593,137 S \* 5/2009 Ueta et al. .... D15/28  
D594,884 S \* 6/2009 Murakami et al. .... D15/28  
D627,802 S \* 11/2010 Berning et al. .... D15/28  
D629,816 S \* 12/2010 Nishimura et al. .... D15/28  
D629,818 S \* 12/2010 Rummer et al. .... D15/31  
D635,592 S \* 4/2011 Shimomura et al. .... D15/28

\* cited by examiner

*Primary Examiner* — Mark Goodwin

(74) *Attorney, Agent, or Firm* — Antonelli, Terry, Stout & Kraus, LLP.

(57) **CLAIM**

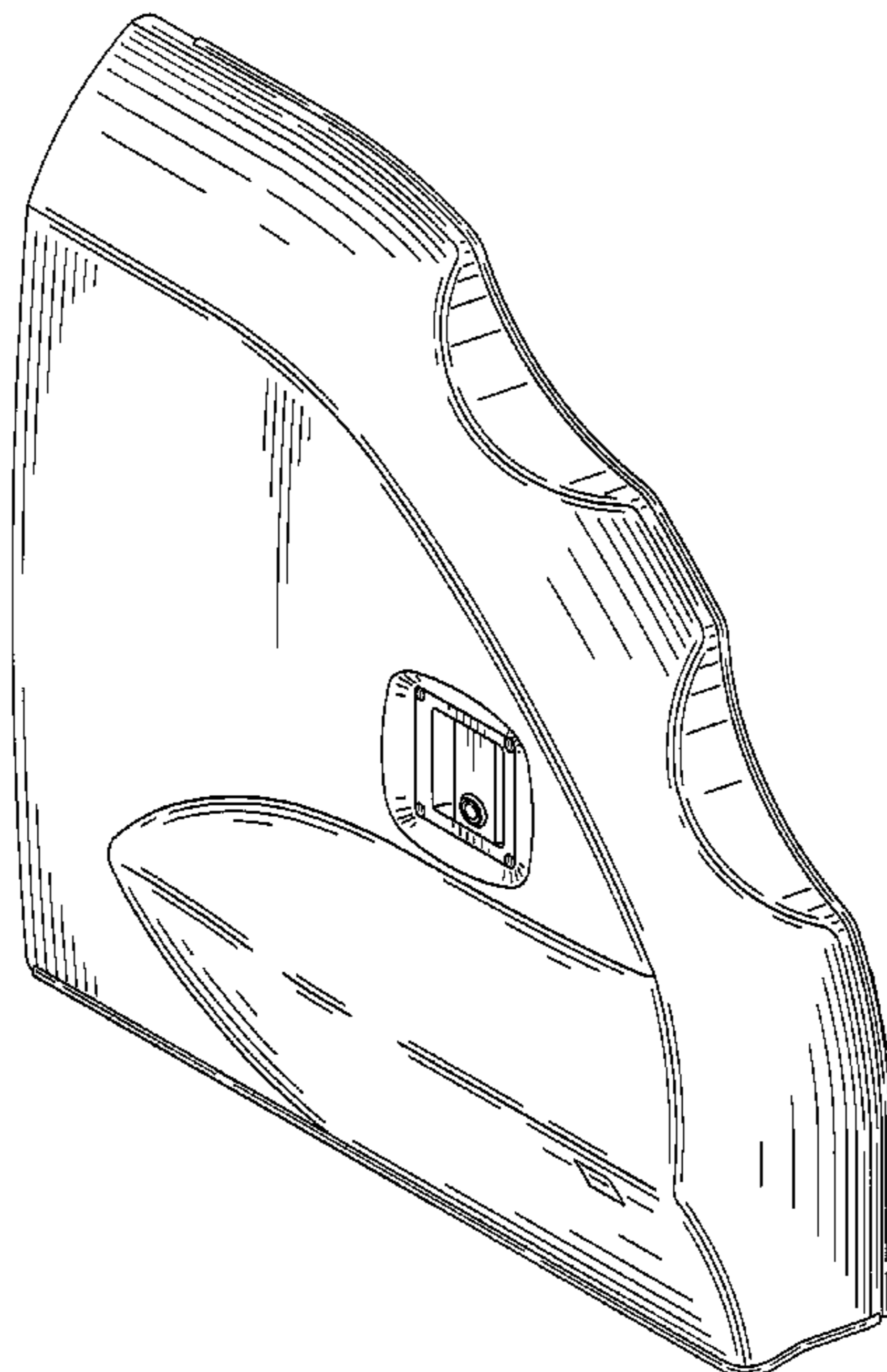
We claim the ornamental design for a cover for construction machine, as shown and described.

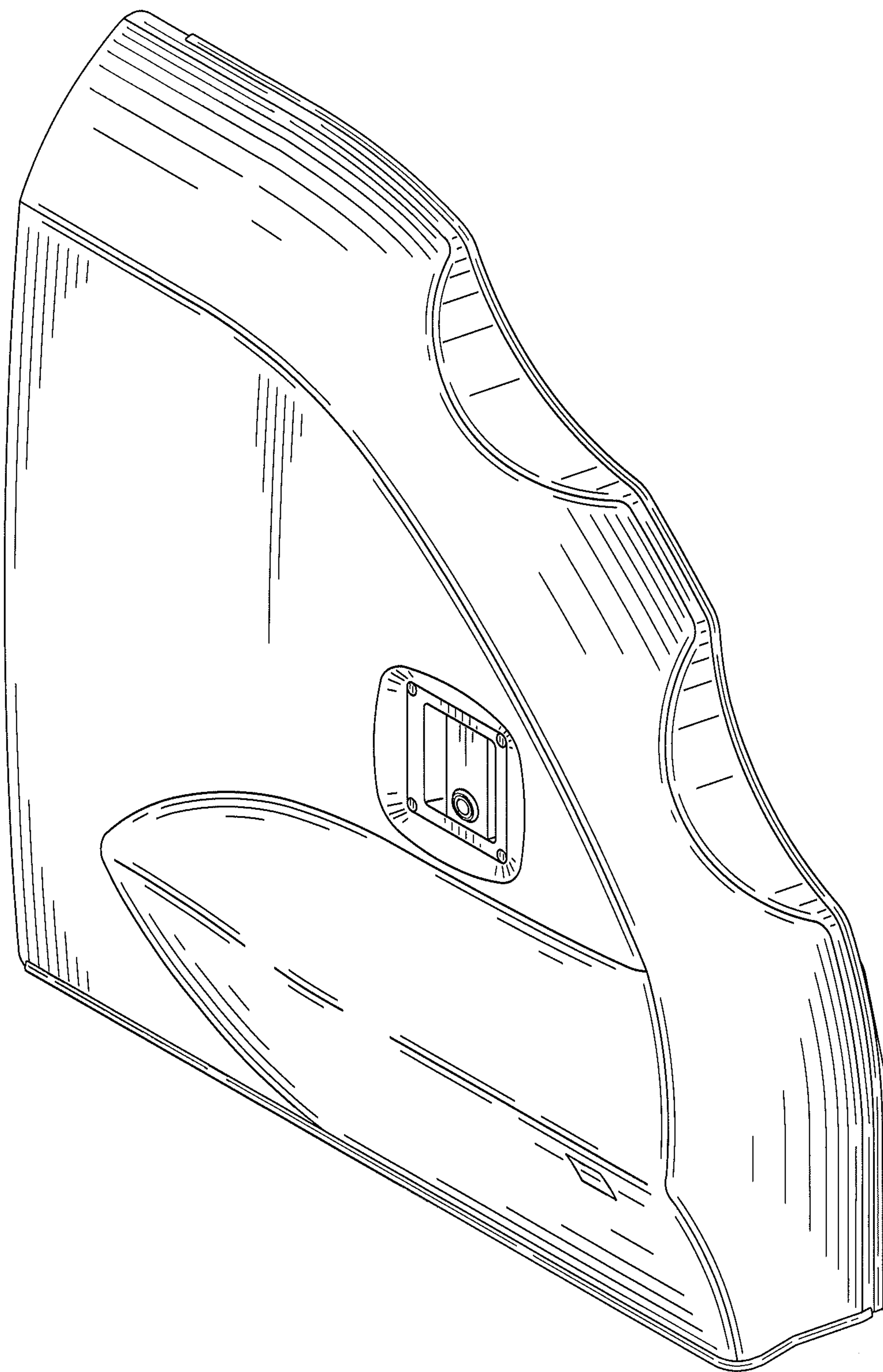
**DESCRIPTION**

FIG. 1 is a front, top and right side perspective view of a cover for construction machine showing our/my new design;  
FIG. 2 is a front elevational view thereof;  
FIG. 3 is a rear elevational view thereof;  
FIG. 4 is a left side elevational view thereof;  
FIG. 5 is a right side elevational view thereof;  
FIG. 6 is a top plan view thereof;  
FIG. 7 is a bottom plan view thereof; and,  
FIG. 8 is an illustrative reference front view thereof, showing a using condition.

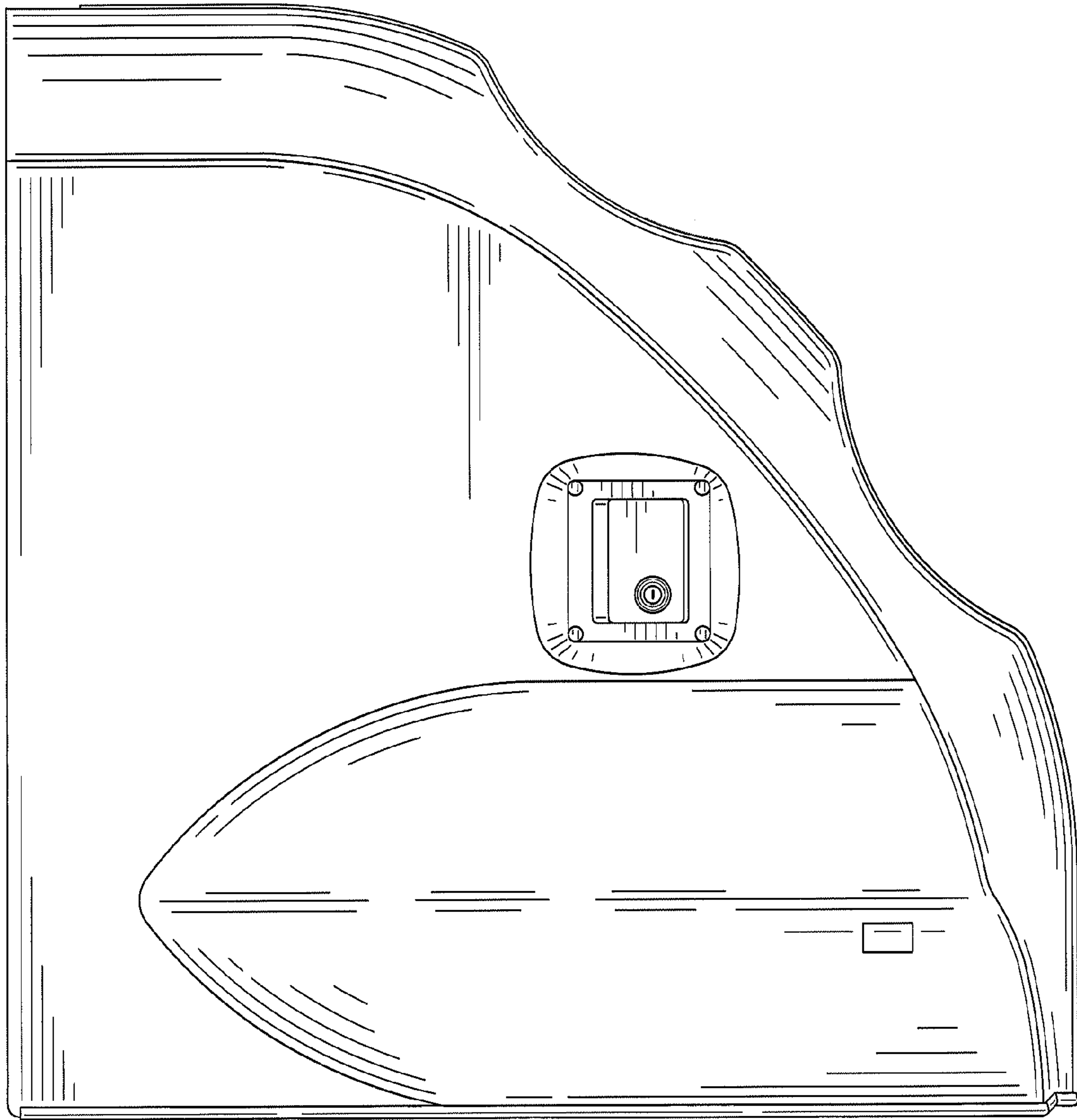
The broken lines shown are for illustrative purposes only and form no part of the claimed design.

**1 Claim, 6 Drawing Sheets**





**FIG. 1**



*FIG. 2*



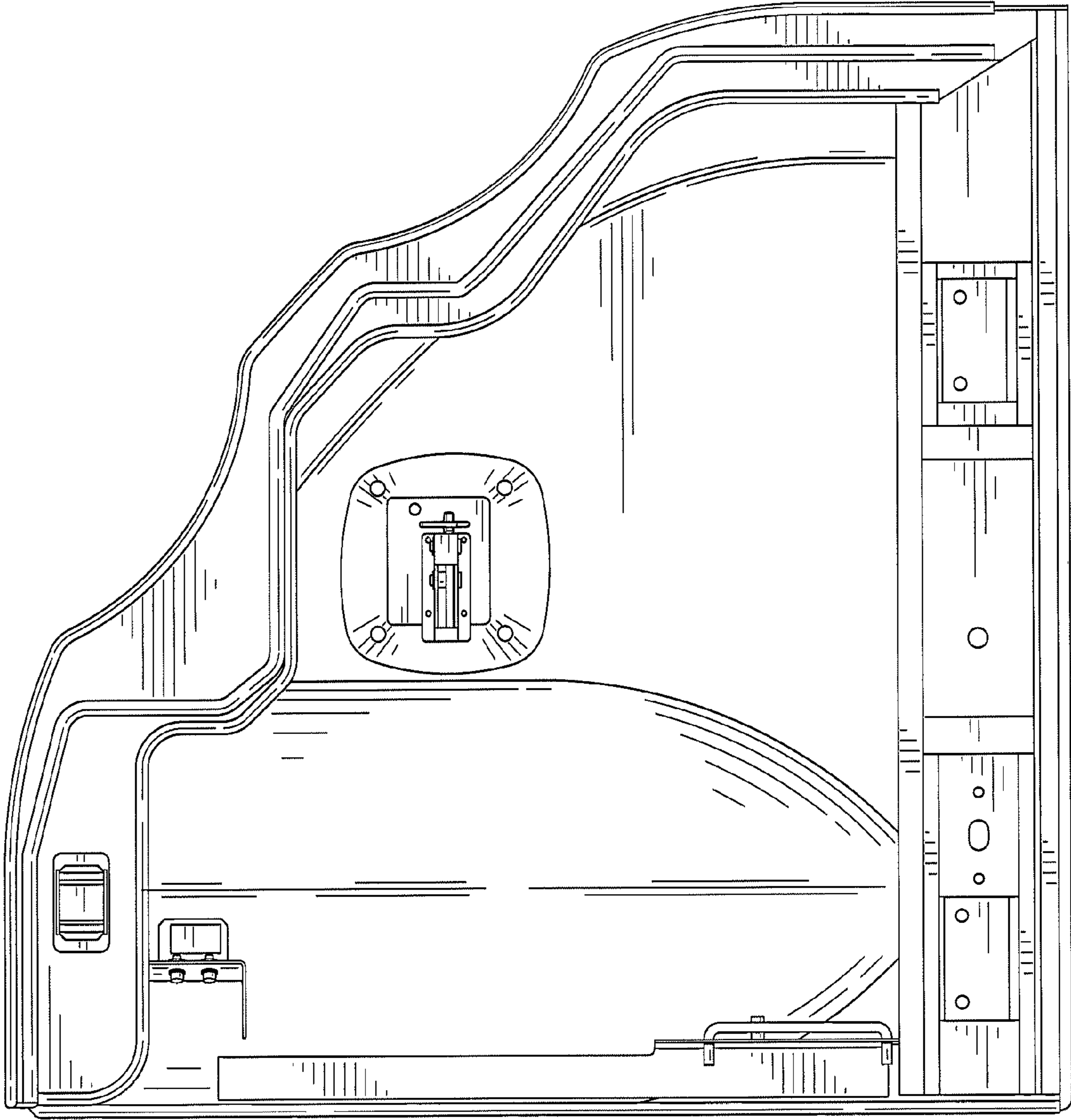


FIG. 3

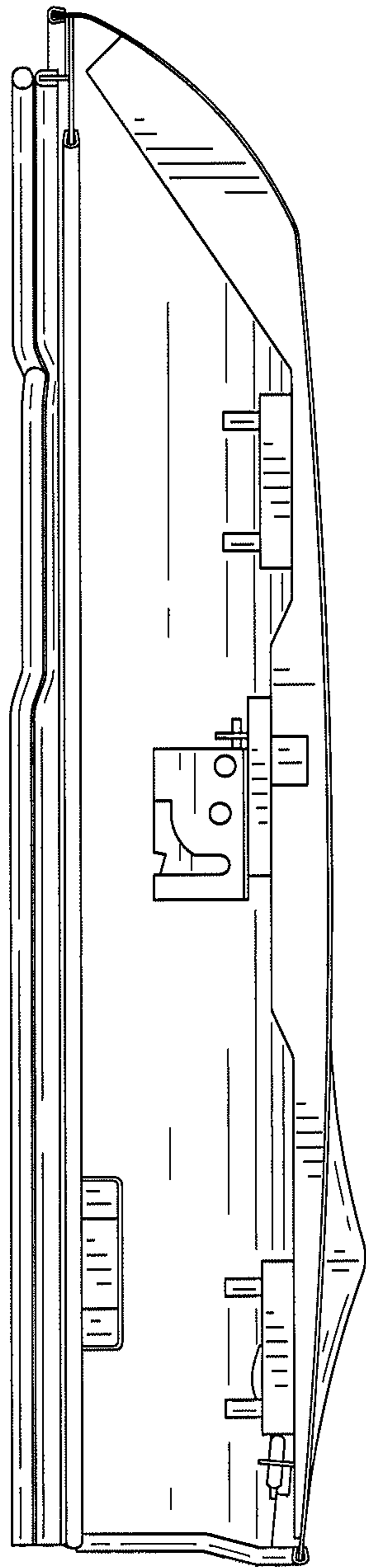


FIG. 4

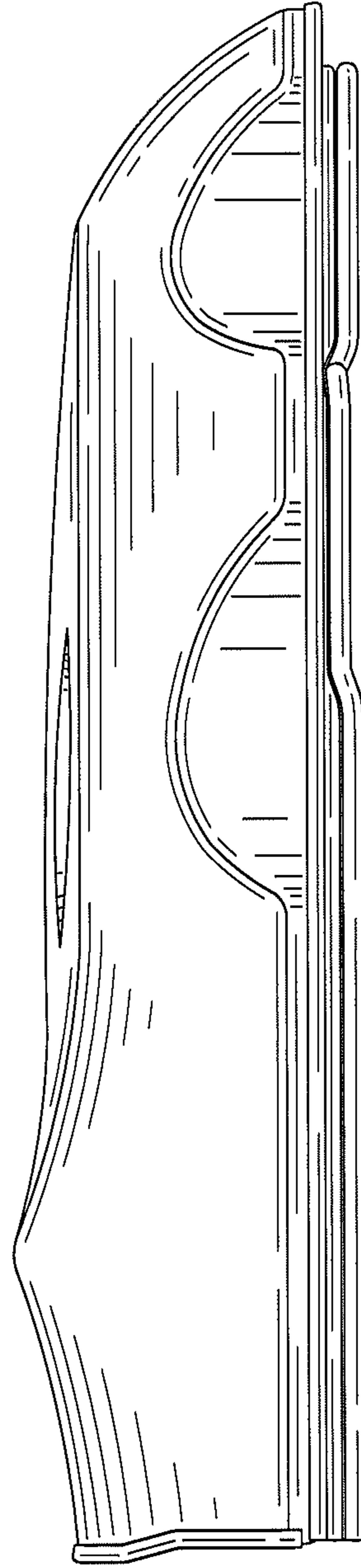


FIG. 5

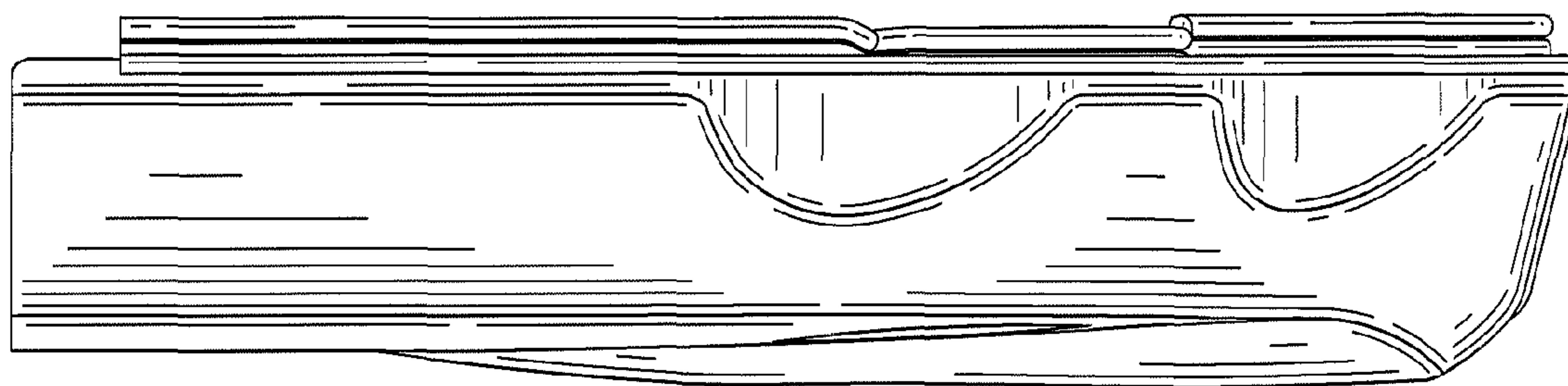


FIG. 6

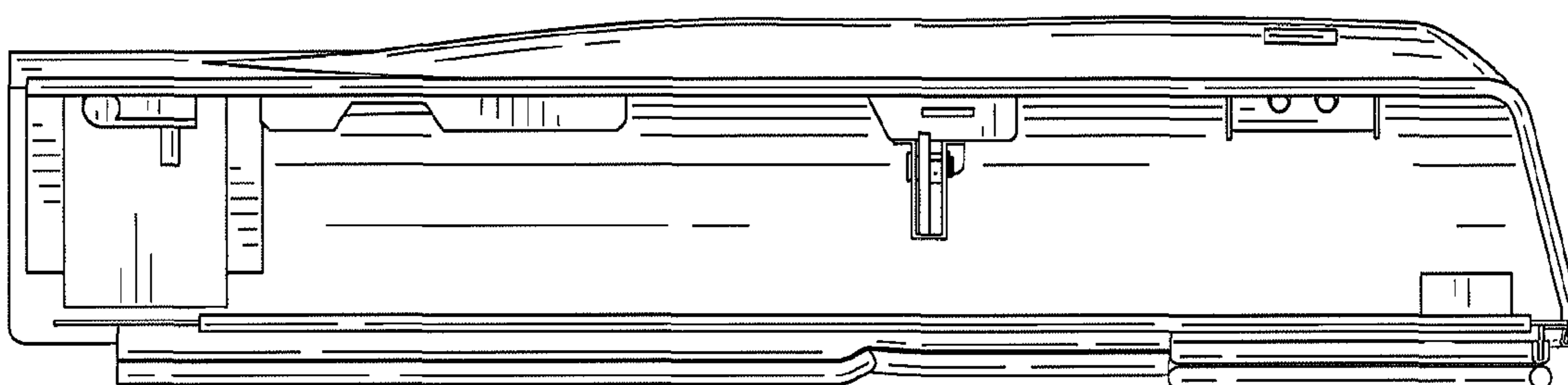


FIG. 7

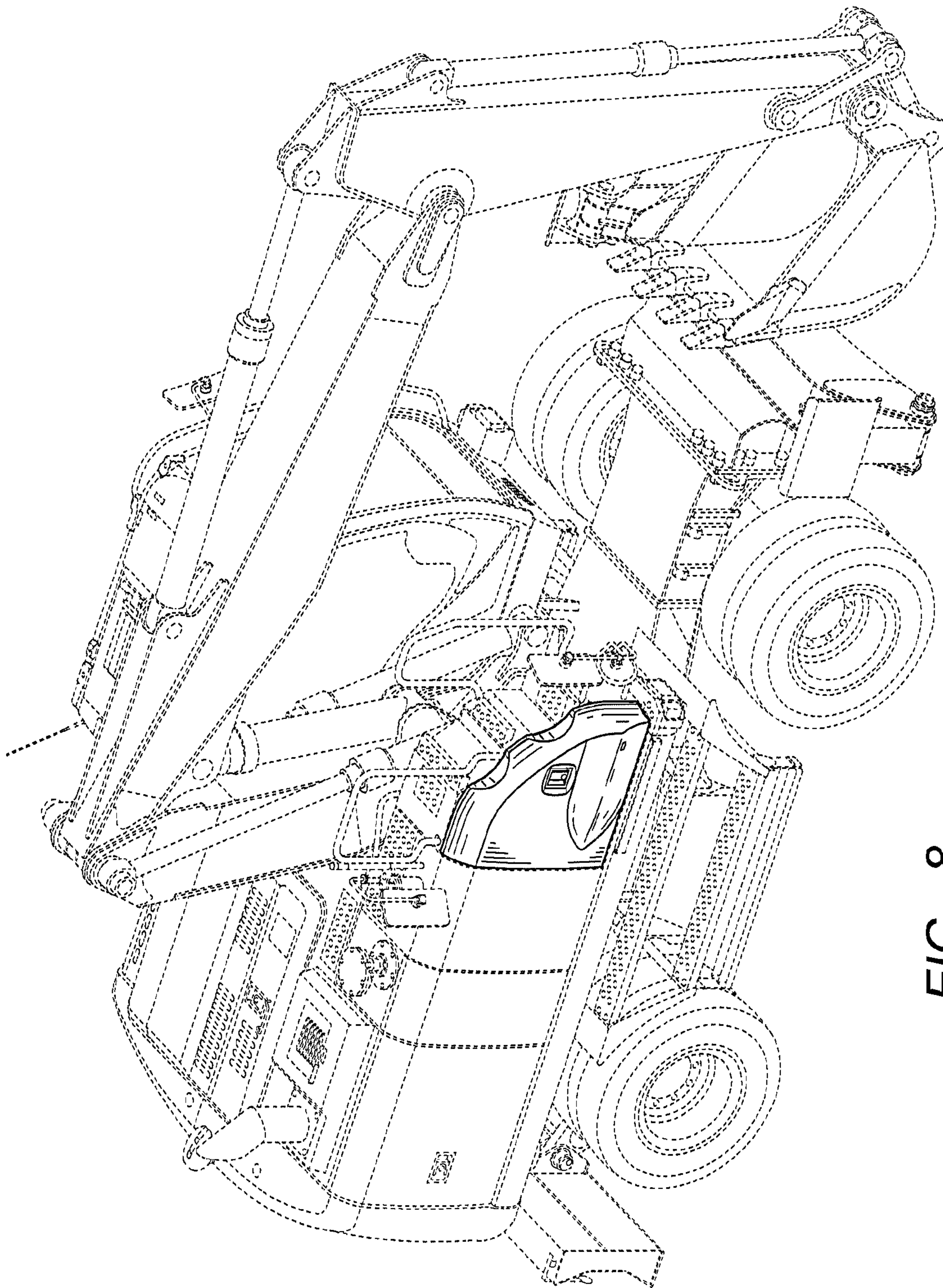


FIG. 8