



US00D693856S

(12) **United States Design Patent**  
**Thompson et al.**

(10) **Patent No.:** **US D693,856 S**  
(45) **Date of Patent:** **\*\* Nov. 19, 2013**

(54) **PRODUCT TANK LID FOR SEEDING AND PLANTING APPLICATIONS**

(71) Applicant: **CNH Canada, Ltd.**, Saskatoon (CA)

(72) Inventors: **Dennis G. Thompson**, Saskatoon (CA);  
**Jared S. Wright**, Saskatoon (CA); **Jesse W. Gonzales**, Falls Church, VA (US)

(73) Assignee: **CNH Canada, Ltd.** (CA)

(\*\*) Term: **14 Years**

(21) Appl. No.: **29/441,926**

(22) Filed: **Jan. 10, 2013**

(51) **LOC (9) Cl.** ..... **15-03**

(52) **U.S. Cl.**  
USPC ..... **D15/28**

(58) **Field of Classification Search**  
USPC ..... D15/10, 13-17, 28, 21, 27; D12/218;  
D23/200, 202, 213; 239/683, 687, 72,  
239/289, 722; 414/725, 912; 37/442, 403;  
111/118; 137/544; 220/587, 565,  
220/567.1; 210/532.2; 123/563; 222/185.1,  
222/608

See application file for complete search history.

(56) **References Cited**

**U.S. PATENT DOCUMENTS**

D191,755	S	*	11/1961	Christensen	.....	D15/28
3,263,865	A	*	8/1966	Kachnik	.....	222/159
3,393,835	A	*	7/1968	Kantor et al.	.....	222/105
3,797,743	A	*	3/1974	Kommers et al.	.....	239/148
4,011,914	A	*	3/1977	Elmer	.....	172/126
D307,591	S	*	5/1990	Ridgeon	.....	D15/13
D327,942	S	*	7/1992	Whitfield	.....	D23/202
D333,476	S	*	2/1993	Gingrich	.....	D15/13
D335,293	S	*	5/1993	Pingry et al.	.....	D15/28
D349,944	S	*	8/1994	Harris	.....	D23/202
D359,712	S	*	6/1995	Ziaylek et al.	.....	D12/13

D364,173	S	*	11/1995	Woods	.....	D15/13
5,501,405	A	*	3/1996	Doornek	.....	239/683
D385,611	S	*	10/1997	Prince et al.	.....	D22/119
5,676,117	A	*	10/1997	Williams	.....	123/527
D391,763	S	*	3/1998	Wolff	.....	D3/323
5,755,382	A	*	5/1998	Skotinkov	.....	239/161
5,816,350	A	*	10/1998	Akira et al.	.....	180/68.1
D408,421	S	*	4/1999	Beal, Jr.	.....	D15/17
5,992,759	A	*	11/1999	Patterson	.....	239/167
D425,915	S	*	5/2000	Truan et al.	.....	D15/13
D427,206	S	*	6/2000	Johnson et al.	.....	D15/28
6,129,056	A	*	10/2000	Skeel et al.	.....	123/41.49
D433,425	S	*	11/2000	Surridge et al.	.....	D15/17
D440,982	S	*	4/2001	Knight et al.	.....	D15/23
D445,477	S	*	7/2001	Pomier	.....	D23/207
6,285,938	B1	*	9/2001	Lang et al.	.....	701/50
D468,436	S	*	1/2003	Brassil et al.	.....	D24/216
6,546,919	B2	*	4/2003	Callas et al.	.....	123/563
6,564,857	B1	*	5/2003	Zobel et al.	.....	165/41
6,588,189	B2	*	7/2003	Horejsi et al.	.....	56/28
6,634,418	B2	*	10/2003	Wooldridge	.....	165/44
6,715,643	B1	*	4/2004	Kelly	.....	222/82
D499,113	S	*	11/2004	Murayama et al.	.....	D15/7
6,817,404	B2	*	11/2004	Frana-Guthrie et al.	.....	165/43
D500,055	S	*	12/2004	Bieker	.....	D15/28

(Continued)

*Primary Examiner* — Mark Goodwin

(74) *Attorney, Agent, or Firm* — Rebecca Henkel

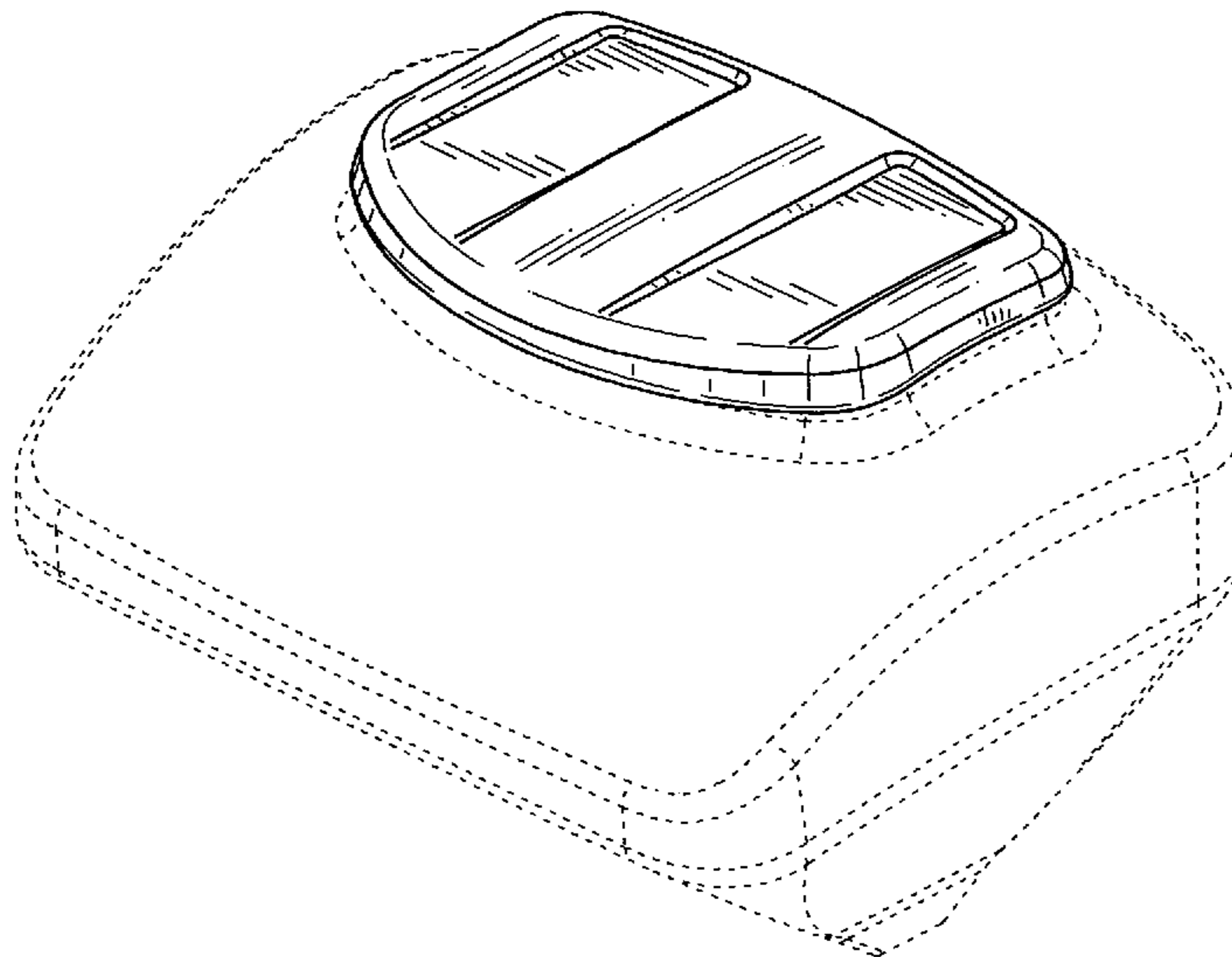
(57) **CLAIM**

The ornamental design for a product tank lid for seeding and planting applications, as shown and described.

**DESCRIPTION**

FIG. 1 is a top isometric view of a product tank lid for seeding and planting applications showing our new design;  
FIG. 2 is a top plan view thereof;  
FIG. 3 is a front elevational view thereof;  
FIG. 4 is a side elevational view thereof;  
FIG. 5 is a rear elevational view thereof;  
FIG. 6 is a bottom plan view thereof; and,  
FIG. 7 is a bottom isometric view thereof.

**1 Claim, 5 Drawing Sheets**



(56)

**References Cited**

U.S. PATENT DOCUMENTS

6,880,656	B2 *	4/2005	Pfusterschmid et al. ....	180/68.4	D610,596	S *	2/2010	Mizushima .....	D15/127
D509,339	S *	9/2005	Lin .....	D34/11	D612,448	S *	3/2010	Richardson .....	D23/202
D515,313	S *	2/2006	Uffner et al. ....	D3/294	D624,864	S *	10/2010	Makino .....	D12/218
D523,447	S *	6/2006	Dixon .....	D15/13	D625,388	S *	10/2010	Cook .....	D23/202
D527,789	S *	9/2006	Thompson et al. ....	D23/202	D642,459	S *	8/2011	Samartgis .....	D9/435
D542,396	S *	5/2007	Bates .....	D23/313	D642,460	S *	8/2011	Samartgis .....	D9/435
D543,995	S *	6/2007	Tanaka et al. ....	D15/5	D642,461	S *	8/2011	Samartgis .....	D9/435
D585,239	S *	1/2009	Thurlow et al. ....	D7/391	D647,168	S *	10/2011	Lerner et al. ....	D23/202
D590,043	S *	4/2009	Campbell .....	D23/202	D647,169	S *	10/2011	Leonard et al. ....	D23/202
D604,686	S *	11/2009	Yan et al. ....	D12/218	D647,170	S *	10/2011	Hayslip et al. ....	D23/202
D609,566	S *	2/2010	LaMasney .....	D9/435	D649,627	S *	11/2011	Corpuz et al. ....	D23/313
					D655,372	S *	3/2012	Kimball et al. ....	D23/202
					D656,520	S *	3/2012	Ortlund et al. ....	D15/17

\* cited by examiner

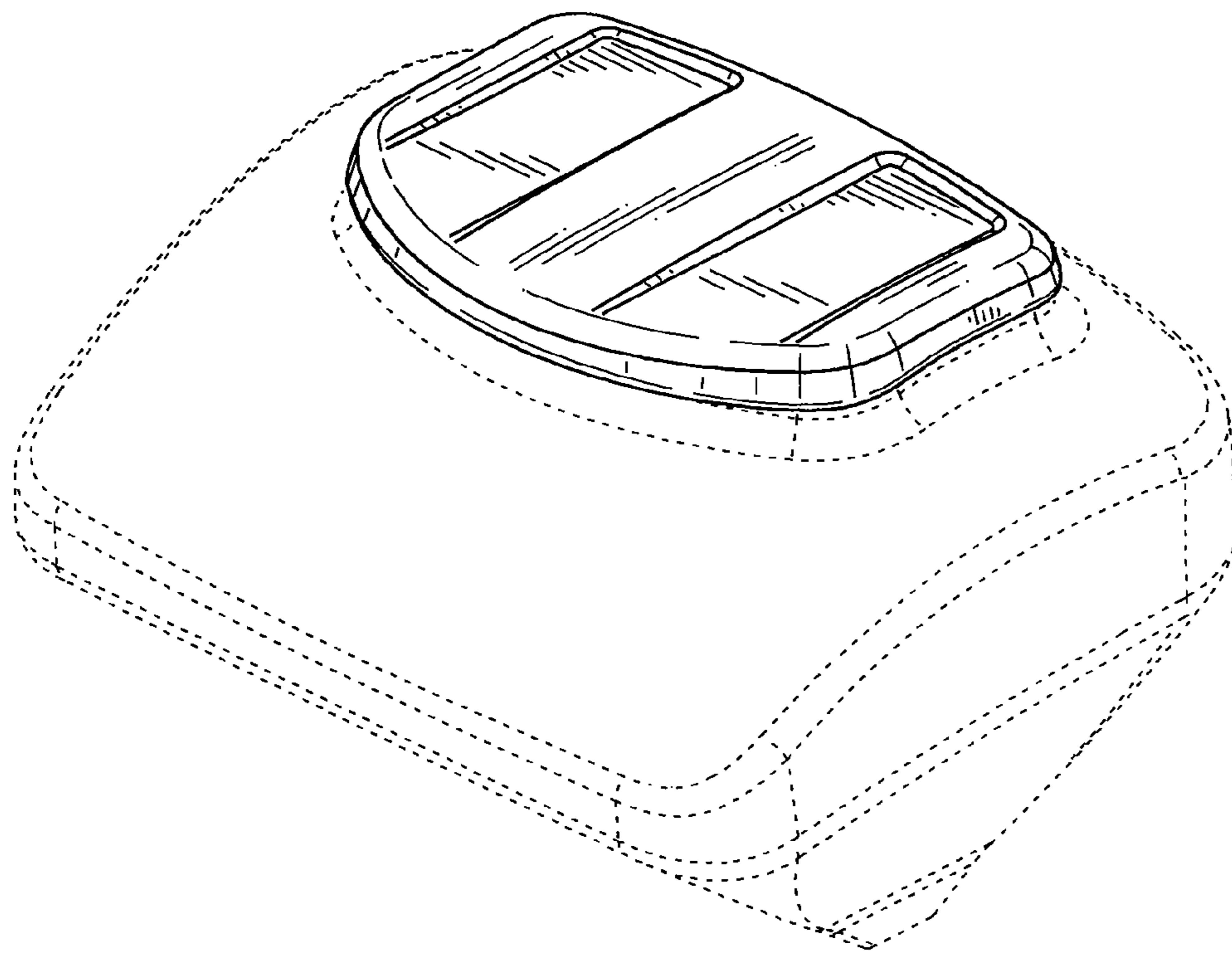


FIG. 1

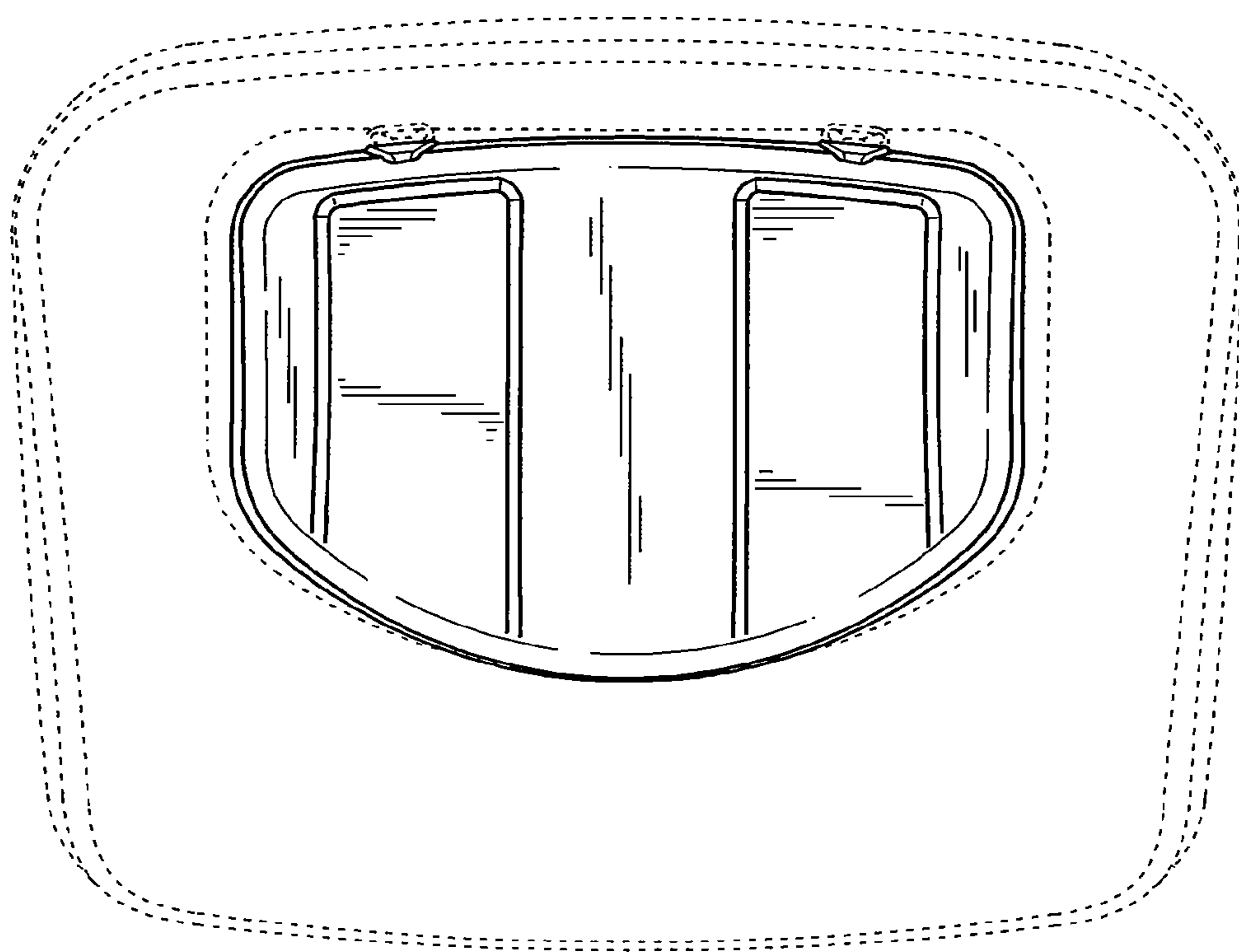


FIG. 2

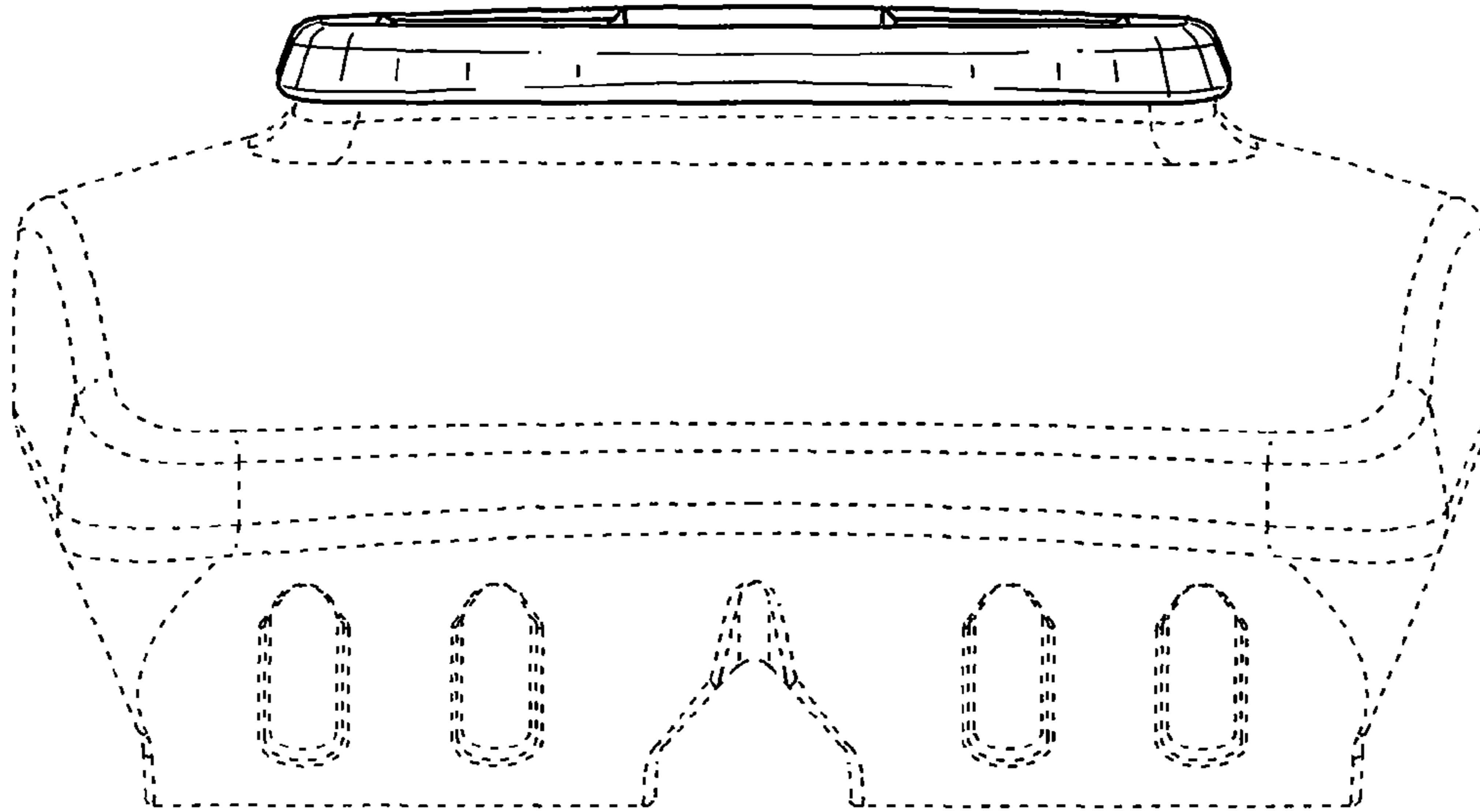


FIG. 3

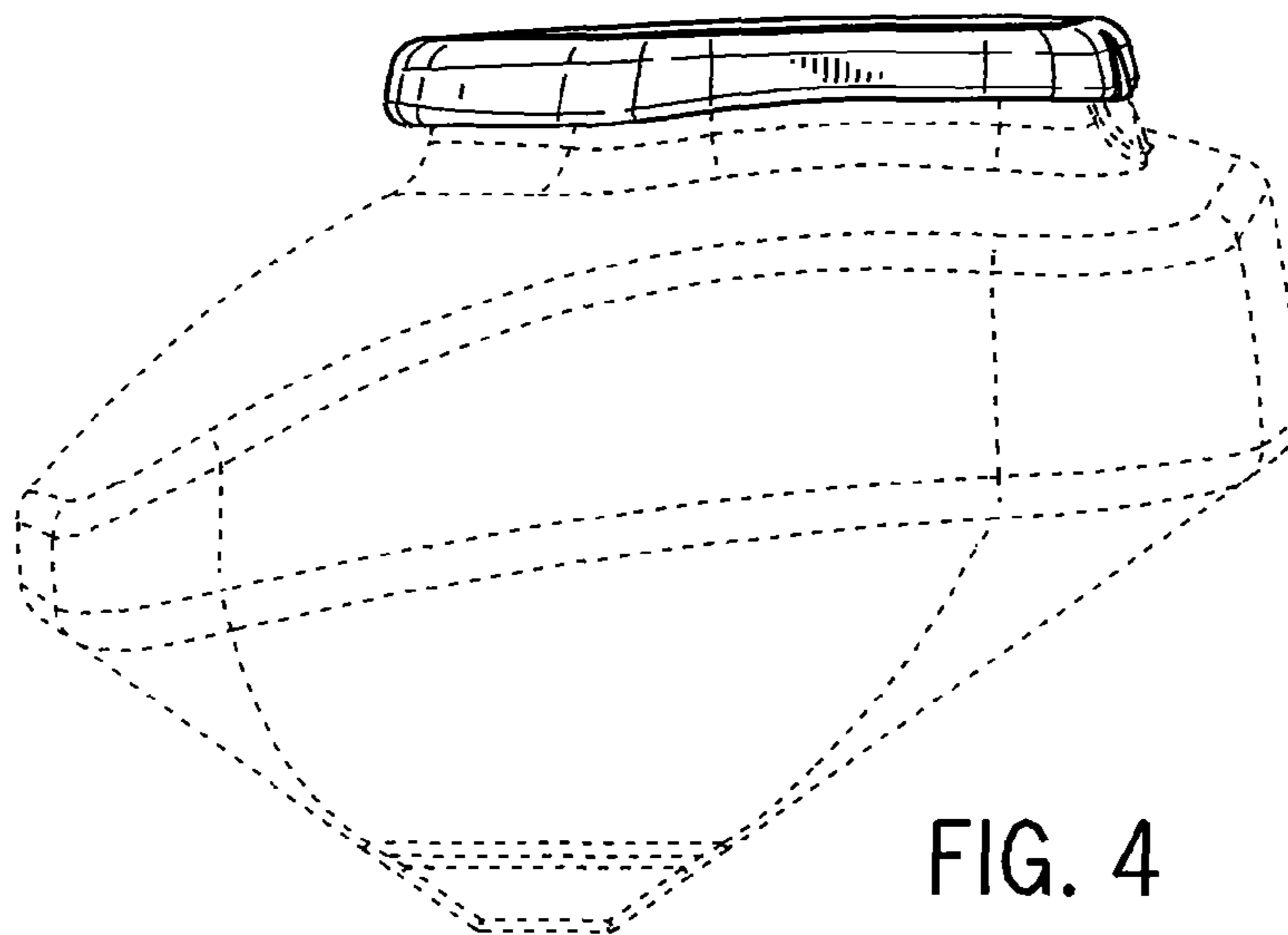


FIG. 4

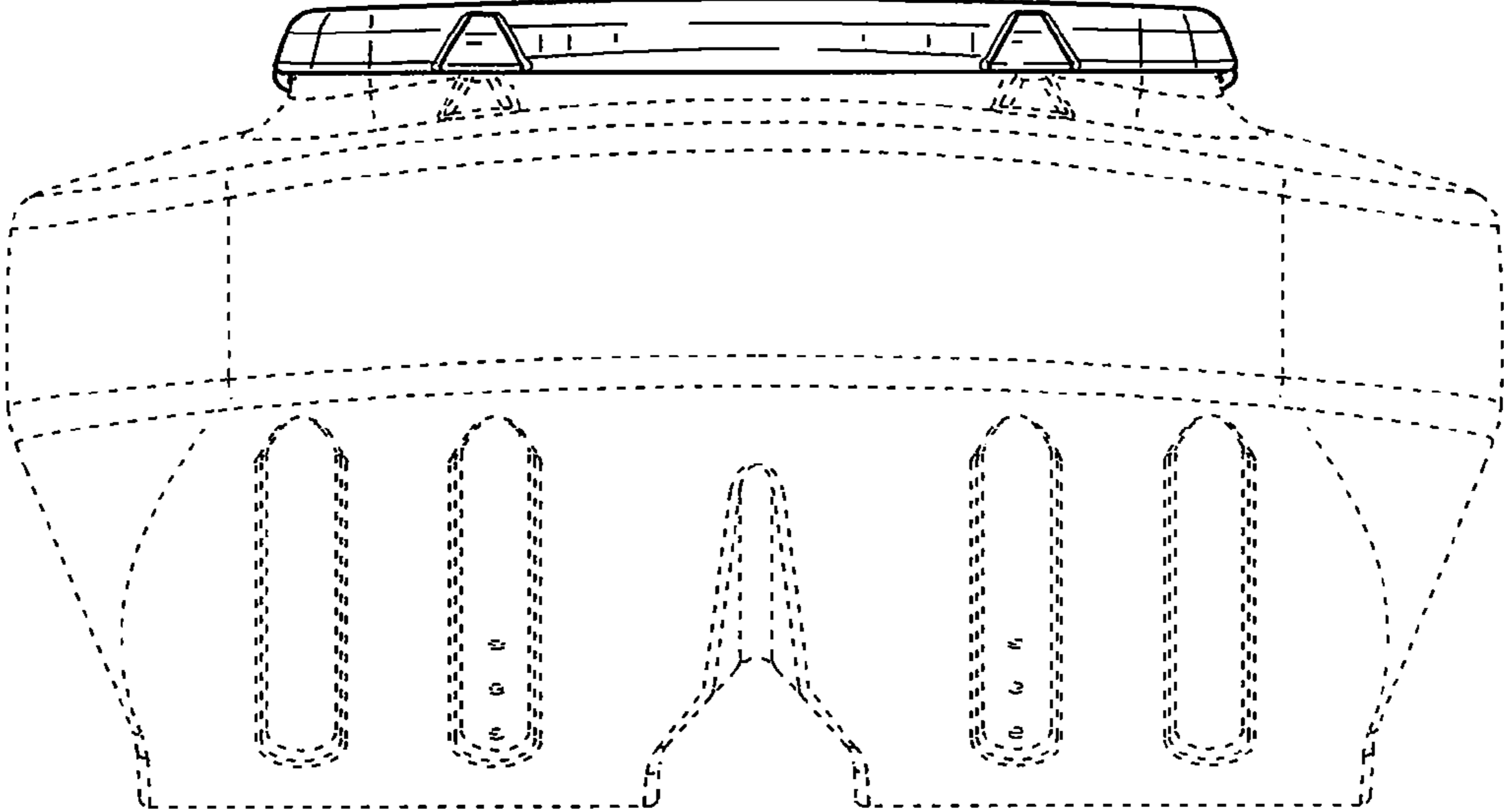


FIG. 5

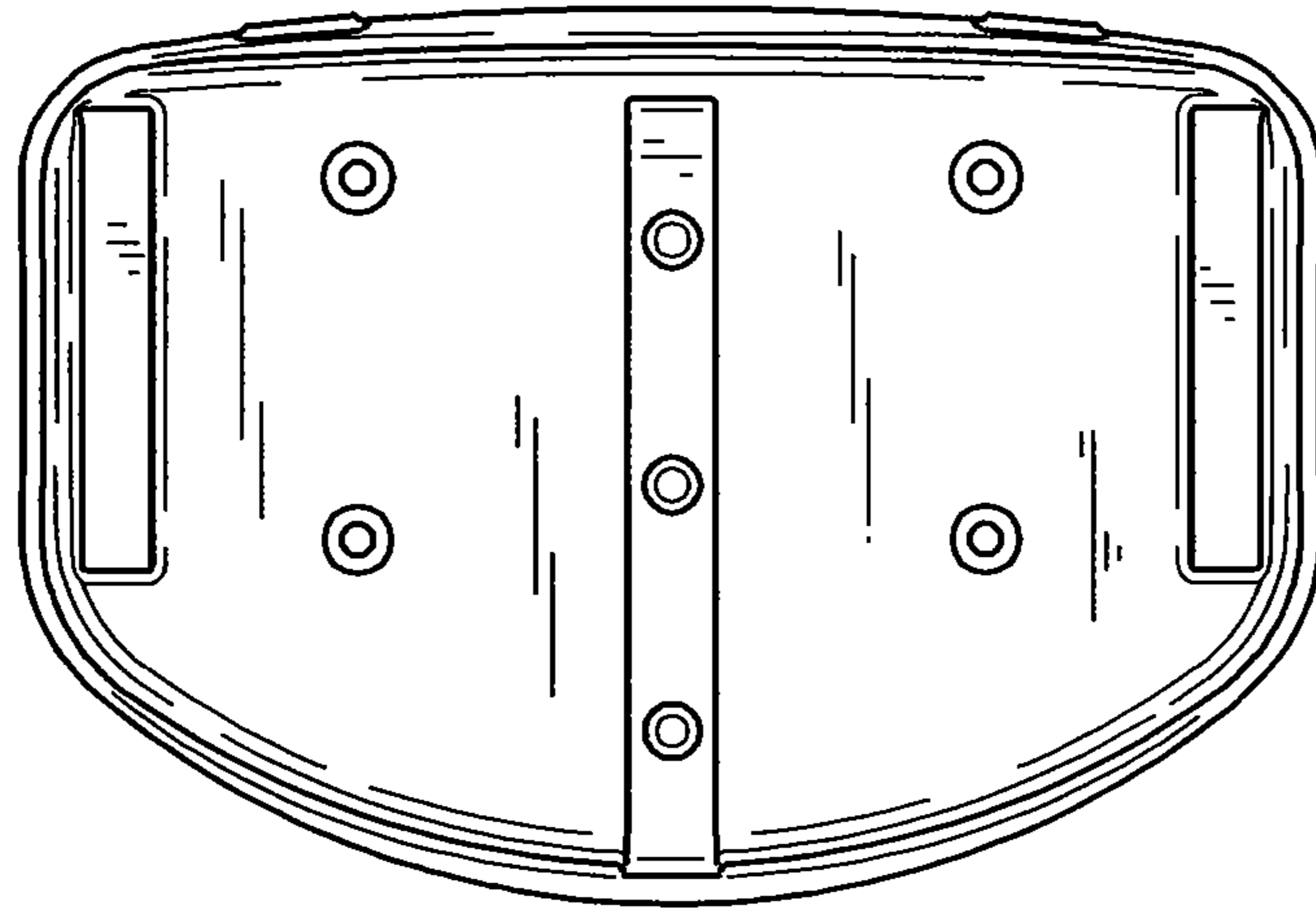


FIG. 6

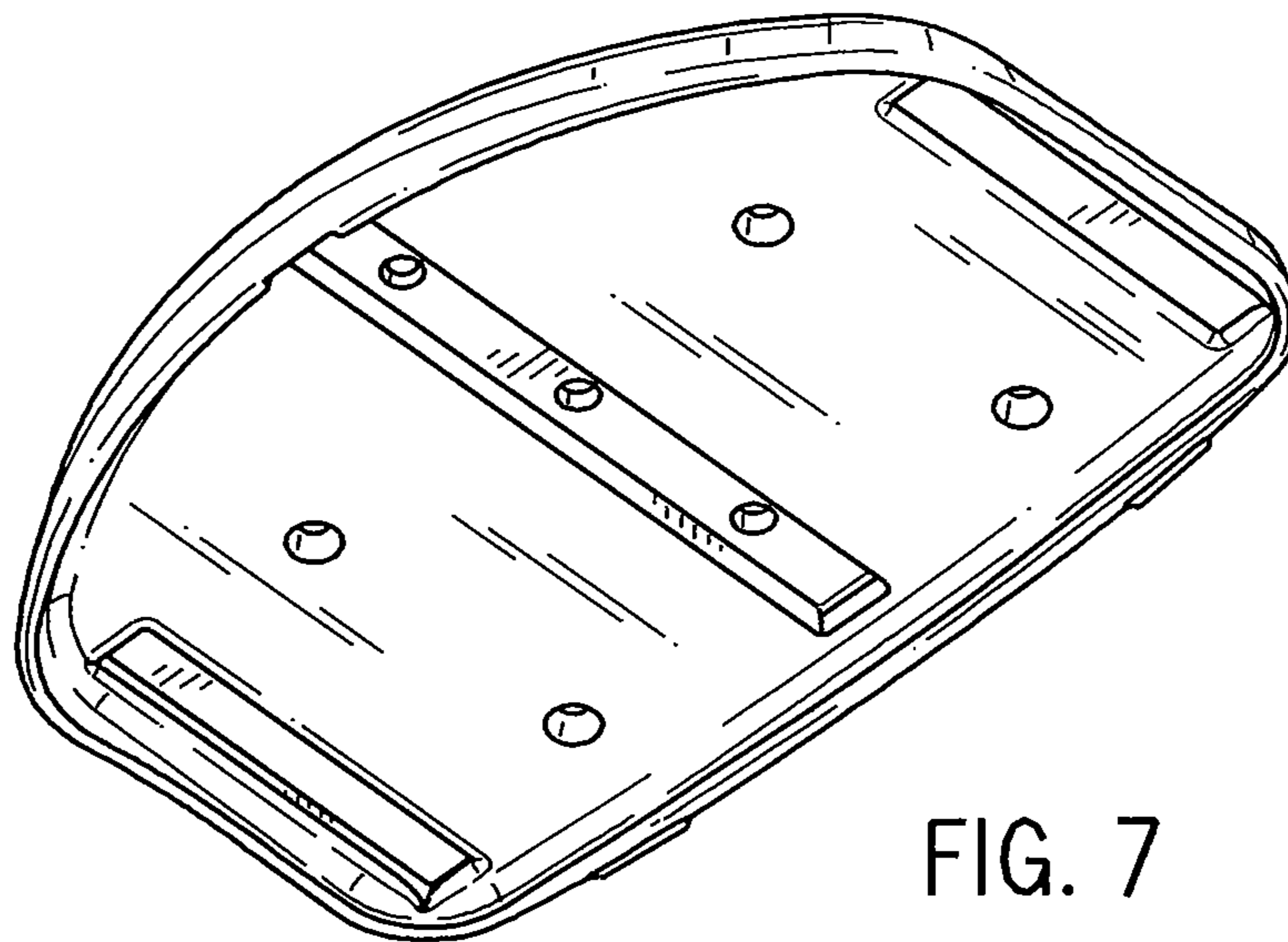


FIG. 7