



US00D693854S

(12) **United States Design Patent**  
**Schrapp et al.**

(10) **Patent No.:** **US D693,854 S**

(45) **Date of Patent:** **\*\* Nov. 19, 2013**

(54) **SEED BOOT**

(71) Applicant: **AGCO-Amity JV, LLC**, Fargo, ND  
(US)

(72) Inventors: **Nicholas W. Schrapp**, Moorhead, MN  
(US); **Peder L. Pederson**, West Fargo,  
ND (US); **Collin D. Miller**, Mapleton,  
ND (US)

(73) Assignee: **AGCO-Amity JV, LLC**, Fargo, ND  
(US)

(\*\*) Term: **14 Years**

(21) Appl. No.: **29/440,816**

(22) Filed: **Dec. 27, 2012**

(51) **LOC (9) Cl.** ..... **15-03**

(52) **U.S. Cl.**  
USPC ..... **D15/28**

(58) **Field of Classification Search**  
USPC ..... D15/11, 17, 21, 27, 28; 111/74, 167,  
111/89, 156, 150, 200, 170, 149; 172/753,  
172/772

See application file for complete search history.

(56) **References Cited**

**U.S. PATENT DOCUMENTS**

707,958	A	8/1902	Compton	
714,025	A	11/1902	Pelton	
717,155	A	12/1902	Baseman	
1,114,156	A	10/1914	Lewis	
1,299,160	A	4/1919	Fetzer	
1,838,476	A	12/1931	Cowell	
2,869,489	A	7/1953	Buhr	
3,213,812	A	10/1965	Forsyth	
4,633,791	A	1/1987	Lindstrom	
5,092,255	A	3/1992	Long	
5,159,985	A	11/1992	Rowlett	
5,269,237	A *	12/1993	Baker et al.	111/121
5,370,070	A	12/1994	Embree	

5,697,308	A	12/1997	Rowlett	
5,983,813	A *	11/1999	Swab et al.	111/150
6,059,047	A *	5/2000	Schimke	172/769
D435,566	S *	12/2000	Anderson	D15/28
D437,328	S *	2/2001	Anderson	D15/28
6,209,466	B1	4/2001	Woodrich	
6,363,871	B1 *	4/2002	Puetz et al.	111/152
7,096,803	B2	8/2006	Bergen	
7,168,376	B2	1/2007	Johnston	

(Continued)

**OTHER PUBLICATIONS**

Seven photos of John Deere seed boot, Part No. N284044 (publicly available prior to Dec. 27, 2011).

*Primary Examiner* — Mark Goodwin

(74) *Attorney, Agent, or Firm* — James L. Young; Westman, Champlin & Koehler, P.A.

(57) **CLAIM**

The ornamental design for a seed boot, as shown and described.

**DESCRIPTION**

FIG. 1 is an outer side view of a seed boot showing our new design in use condition, the broken lines shown on the surface of the seed boot form no part of the claimed design;

FIG. 2 is a top, perspective view thereof taken from an inner side and a trailing end;

FIG. 3 is the inner side view thereof;

FIG. 4 is a trailing end view thereof, taken from the left side of FIG. 1;

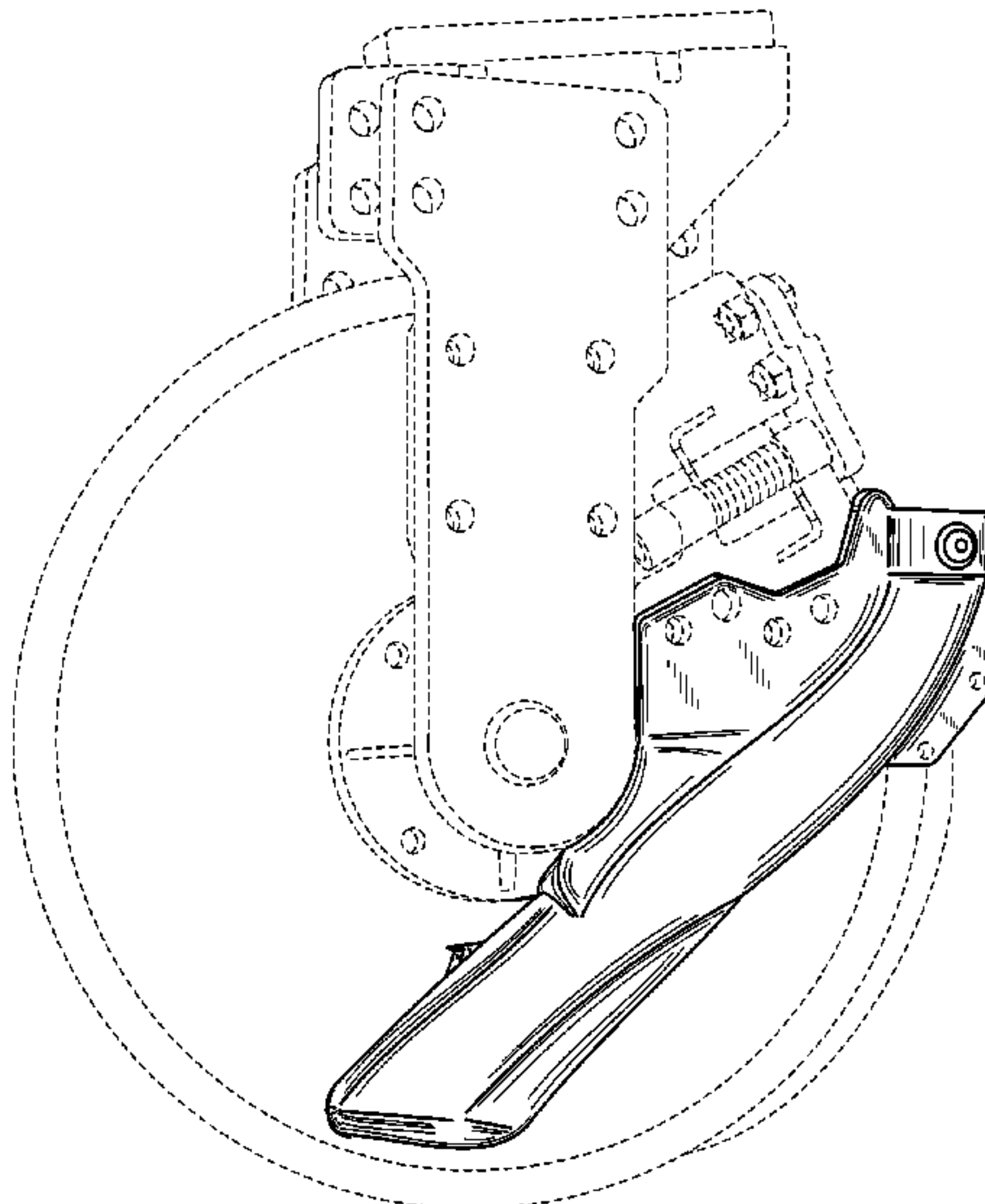
FIG. 5 is a trailing end view thereof, taken from the right side of FIG. 1;

FIG. 6 is a top view thereof; and,

FIG. 7 is a bottom view thereof.

The broken line showing of a planting implement is included for the purpose of illustrating environmental structure only and forms no part of the claimed design.

**1 Claim, 5 Drawing Sheets**



(56)

**References Cited**

U.S. PATENT DOCUMENTS

7,487,732	B2	2/2009	Johnston				
7,856,934	B2 *	12/2010	Hagny .....	111/163			
D647,542	S *	10/2011	Zwettler .....	D15/28			
8,215,247	B2 *	7/2012	Schilling et al. ....	111/186			
8,359,987	B2 *	1/2013	Schilling et al. ....	111/69			
2002/0043197	A1 *	4/2002	Schaffert .....	111/120			
2002/0134288	A1 *	9/2002	Baker et al. ....	111/157			
2002/0195033	A1 *	12/2002	Schaffert .....	111/189			
2004/0255834	A1 *	12/2004	Schaffert .....	111/200			
2005/0022706	A1 *	2/2005	Johnston .....	111/154			
2005/0172871	A1 *	8/2005	Linnebur et al. ....	111/156			
2005/0274309	A1 *	12/2005	Bergen .....	111/188			
2007/0113763	A1 *	5/2007	Schaffert .....	111/118			
2008/0295750	A1 *	12/2008	Gregor .....	111/164			
2010/0107941	A1 *	5/2010	Schilling et al. ....	111/9			
2010/0107942	A1 *	5/2010	Schilling et al. ....	111/74			
2010/0300337	A1 *	12/2010	Wipf et al. ....	111/12			
2011/0005440	A1 *	1/2011	Schilling et al. ....	111/150			
2011/0108295	A1 *	5/2011	Schilling .....	172/558			
2011/0120357	A1 *	5/2011	Schilling et al. ....	111/163			
2011/0226167	A1 *	9/2011	Schilling et al. ....	111/154			
2011/0313575	A1 *	12/2011	Kowalchuk et al. ....	700/282			
2012/0012041	A1 *	1/2012	Schaffert .....	111/118			
2012/0067259	A1 *	3/2012	Mariman et al. ....	111/164			
2012/0240834	A1 *	9/2012	Schilling et al. ....	111/71			
2012/0240835	A1 *	9/2012	Schilling et al. ....	111/71			

\* cited by examiner

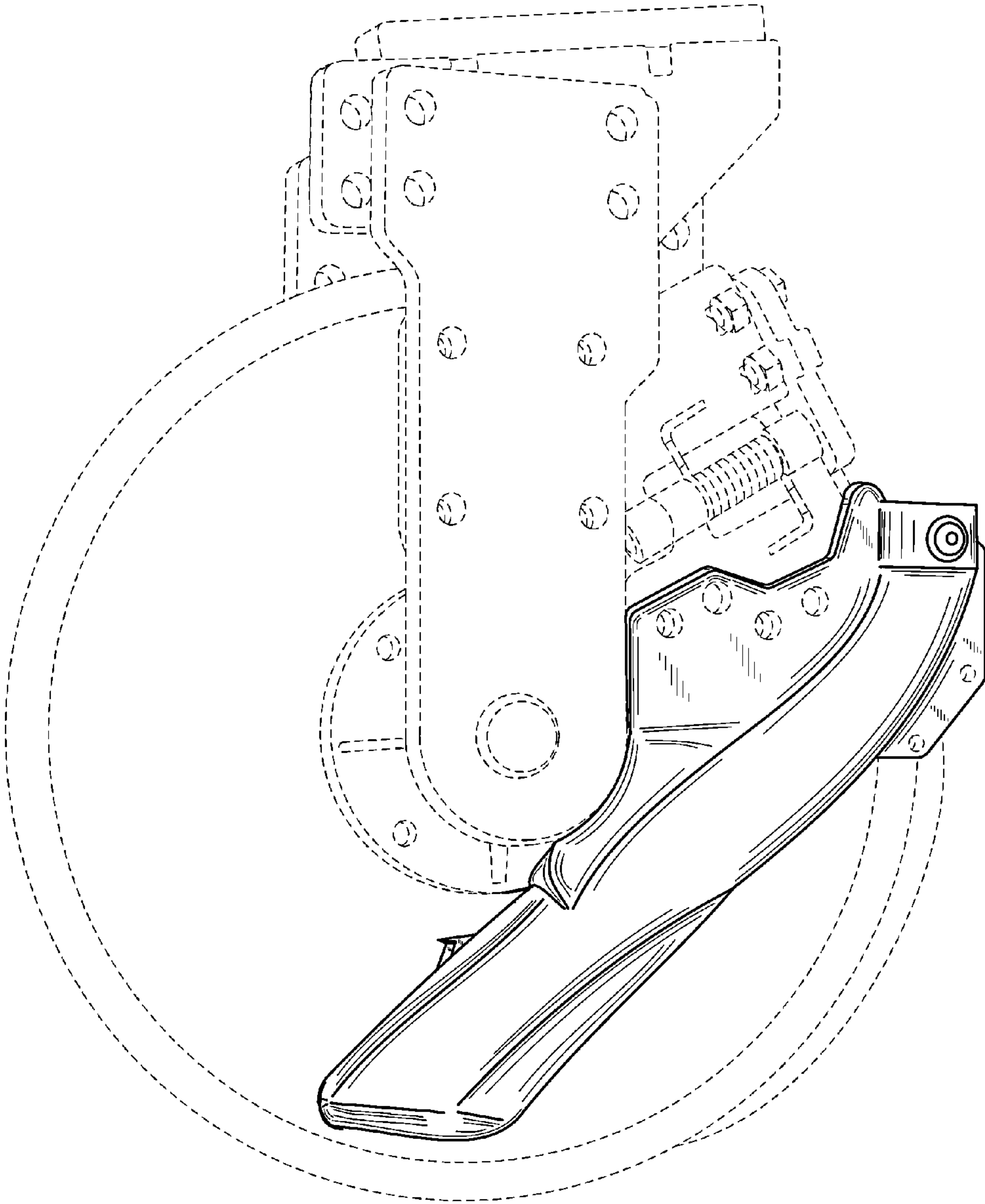


FIG. 1

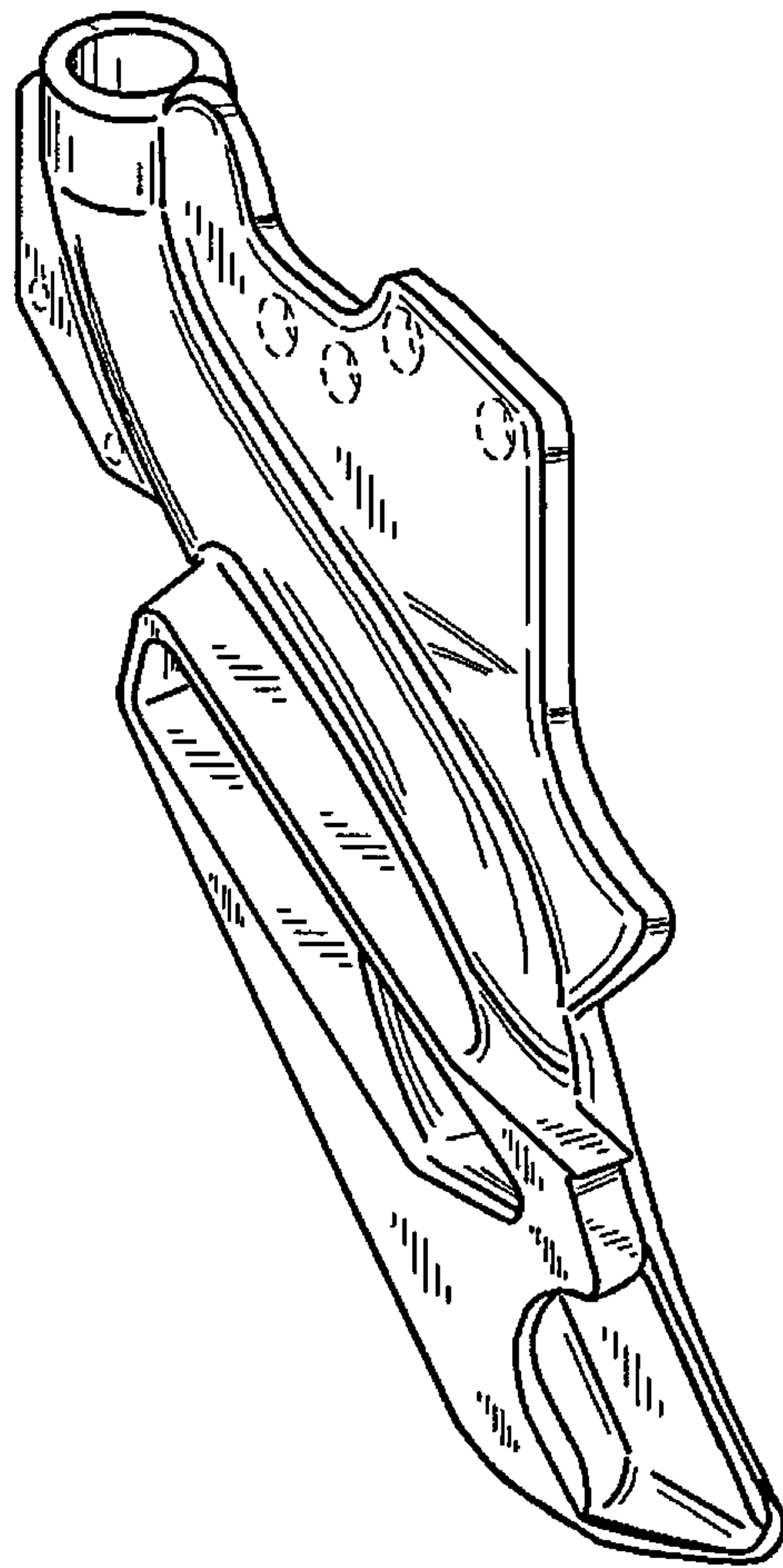
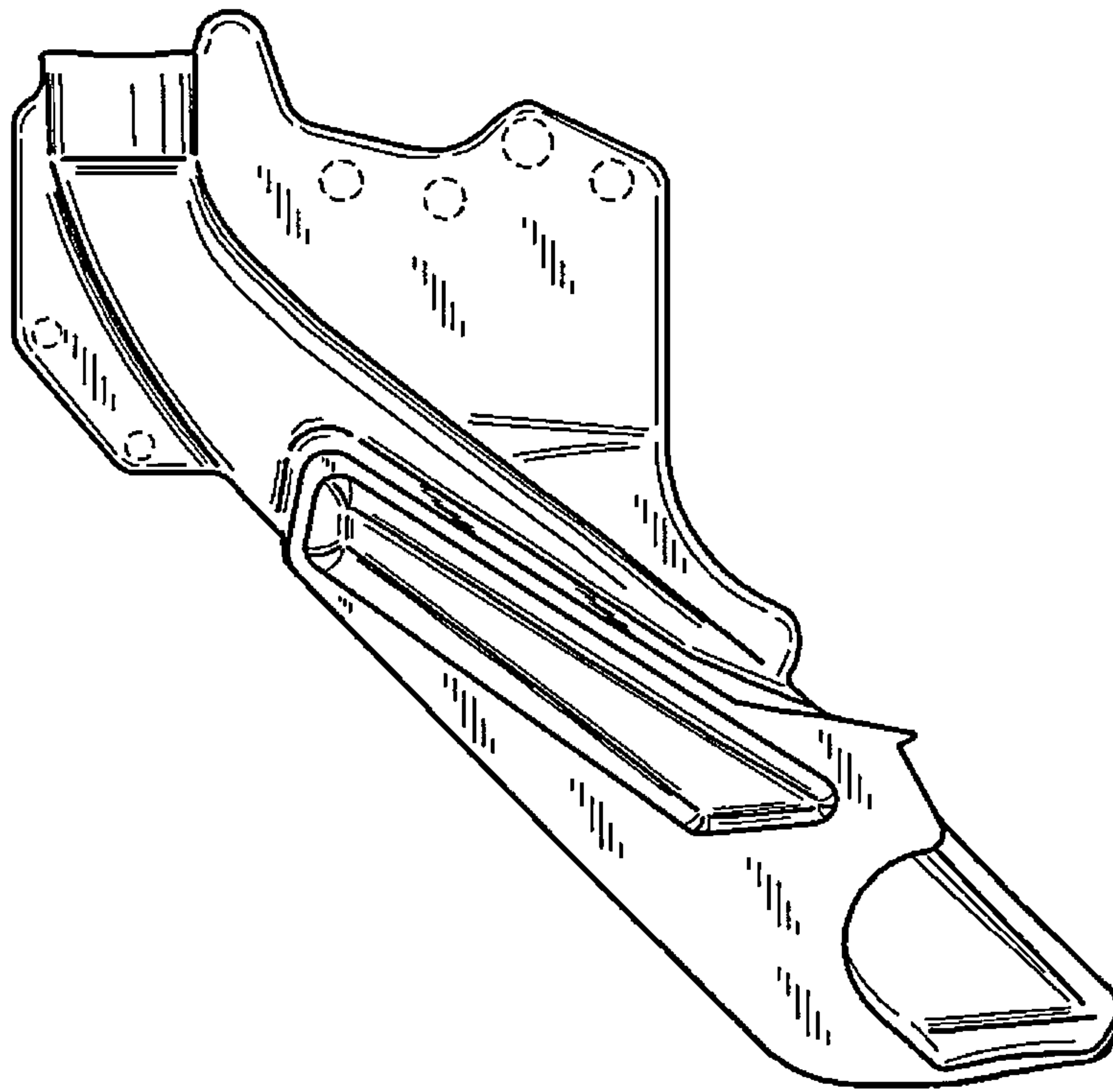


FIG. 2



**FIG. 3**



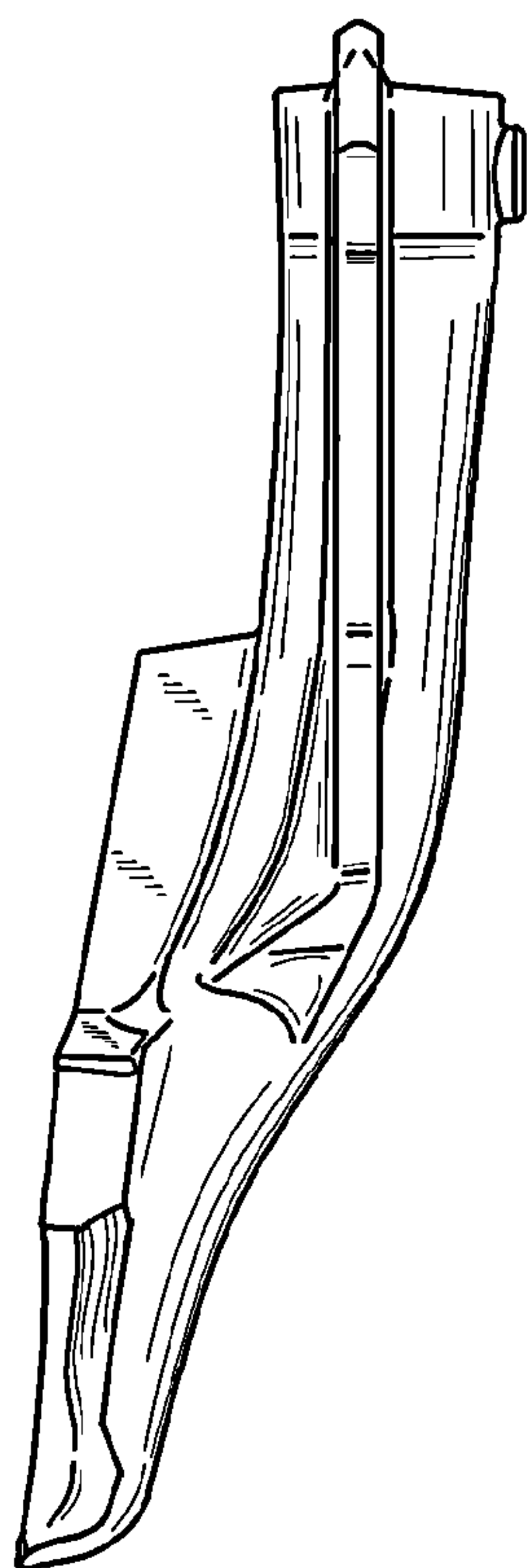


FIG. 4

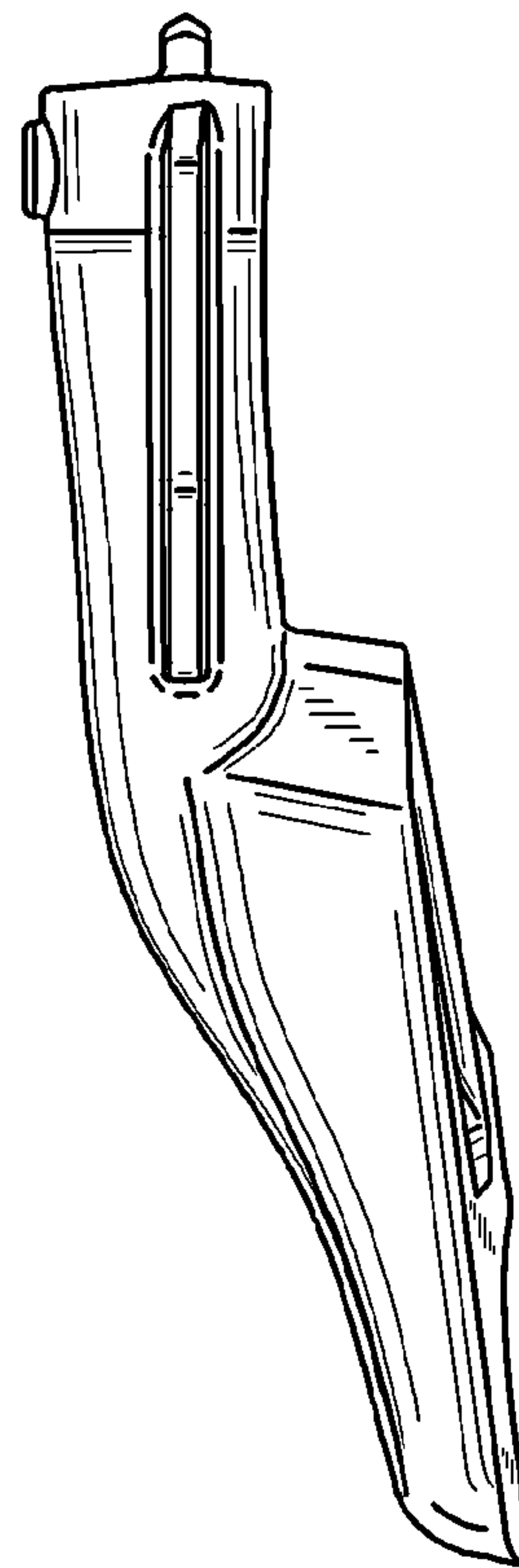


FIG. 5

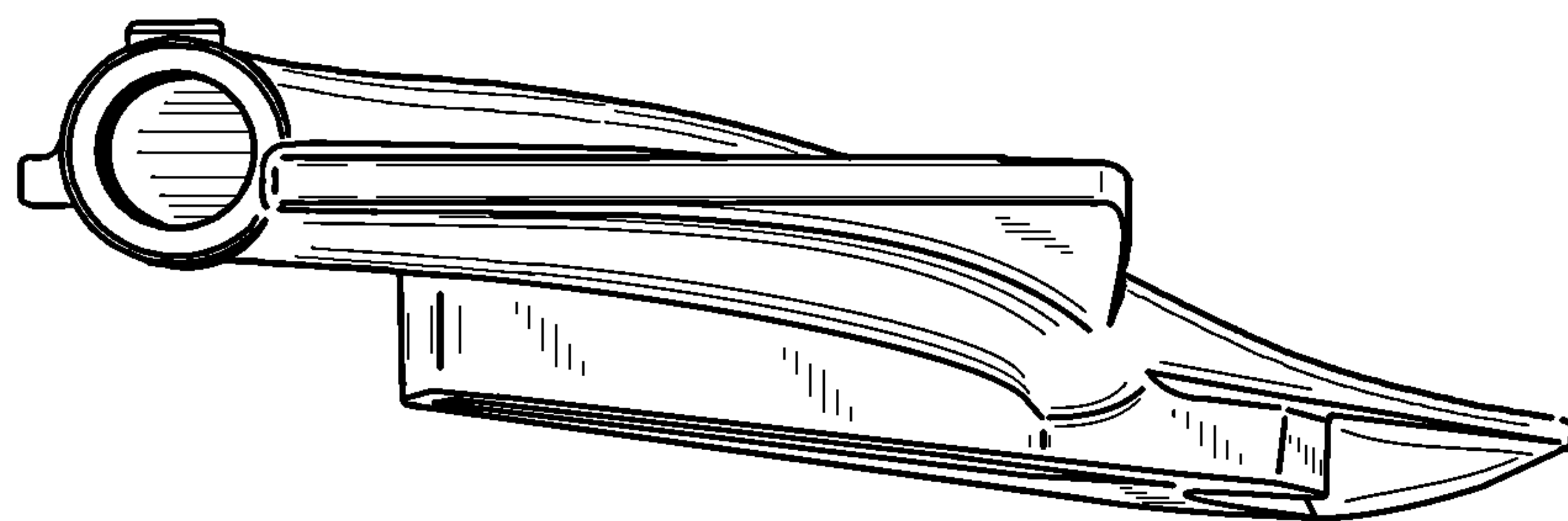


FIG. 6

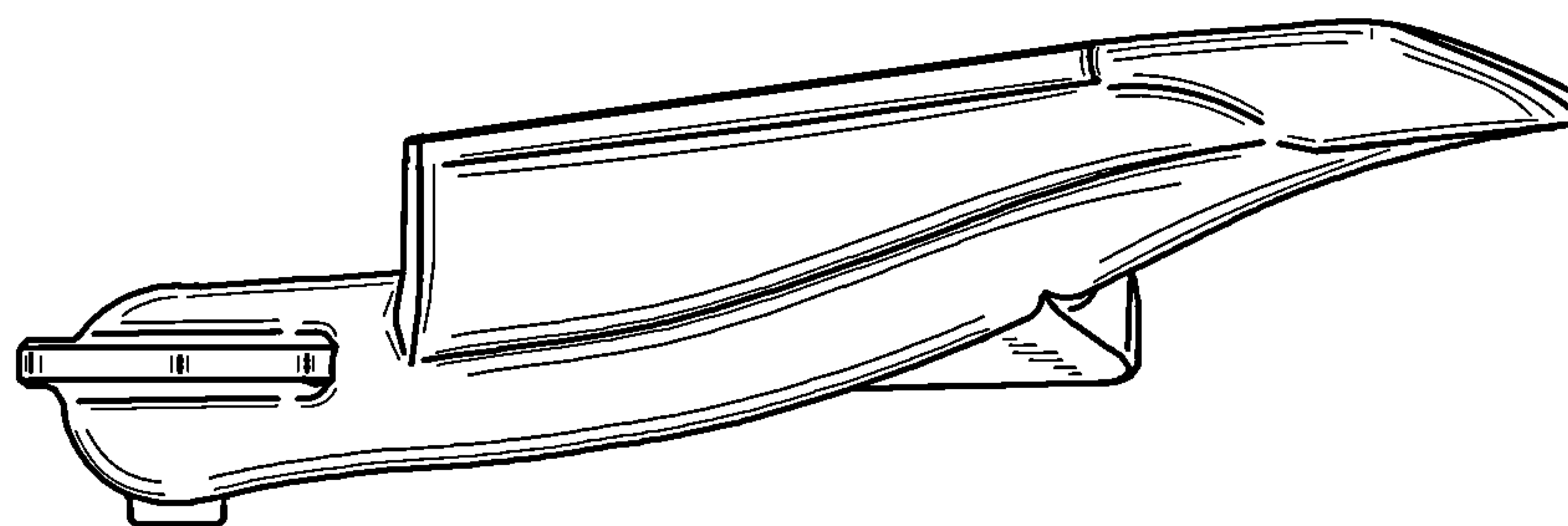


FIG. 7