



US00D693853S

(12) **United States Design Patent**  
**Hiraoka et al.**

(10) **Patent No.:** **US D693,853 S**

(45) **Date of Patent:** **\*\* Nov. 19, 2013**

(54) **WHEEL LOADER**

(56) **References Cited**

(71) Applicant: **Hitachi Construction Machinery Co., Ltd.**, Tokyo (JP)

U.S. PATENT DOCUMENTS

(72) Inventors: **Kazuhiko Hiraoka**, Kodaira (JP); **Kouji Kimijima**, Kasama (JP); **Akira Shimohira**, Ryugasaki (JP); **Hiroaki Yada**, Ryugasaki (JP); **Kouji Takehi**, Ushiku (JP); **Katsuhisa Onoguchi**, Oyama (JP); **Seiji Nakagawa**, Ryugasaki (JP); **Yuuji Akutsu**, Ryugasaki (JP); **Tadashi Koseki**, Ushiku (JP); **Wataru Isaka**, Mito (JP); **Hirofumi Oouchi**, Toride (JP)

D226,707	S	*	4/1973	Skyer et al.	.....	D15/25
D326,858	S	*	6/1992	Skeel et al.	.....	D15/25
D364,408	S	*	11/1995	Bryant et al.	.....	D15/25
D405,807	S	*	2/1999	Amy et al.	.....	D15/25
D410,930	S	*	6/1999	Kim et al.	.....	D15/25
D540,352	S	*	4/2007	Sato et al.	.....	D15/25
D549,738	S	*	8/2007	Hiraoka et al.	.....	D15/25
D590,846	S	*	4/2009	Kinsinger et al.	.....	D15/25
D636,000	S	*	4/2011	Kim et al.	.....	D15/25
D652,061	S		1/2012	Hiraoka et al.		
D682,888	S	*	5/2013	Iwata	.....	D15/25
D682,889	S	*	5/2013	Iwata	.....	D15/25
D682,890	S	*	5/2013	Iwata et al.	.....	D15/25

(73) Assignee: **Hitachi Construction Machinery Co., Ltd.**, Tokyo (JP)

\* cited by examiner

(\*\*) Term: **14 Years**

*Primary Examiner* — Mark Goodwin

(21) Appl. No.: **29/449,438**

(74) *Attorney, Agent, or Firm* — Antonelli, Terry, Stout & Kraus, LLP.

(22) Filed: **Mar. 15, 2013**

(57) **CLAIM**

We claim the ornamental design for a wheel loader, as shown.

(30) **Foreign Application Priority Data**

**DESCRIPTION**

Sep. 28, 2012 (JP) ..... 2012-023729

(51) **LOC (9) Cl.** ..... **12-09**

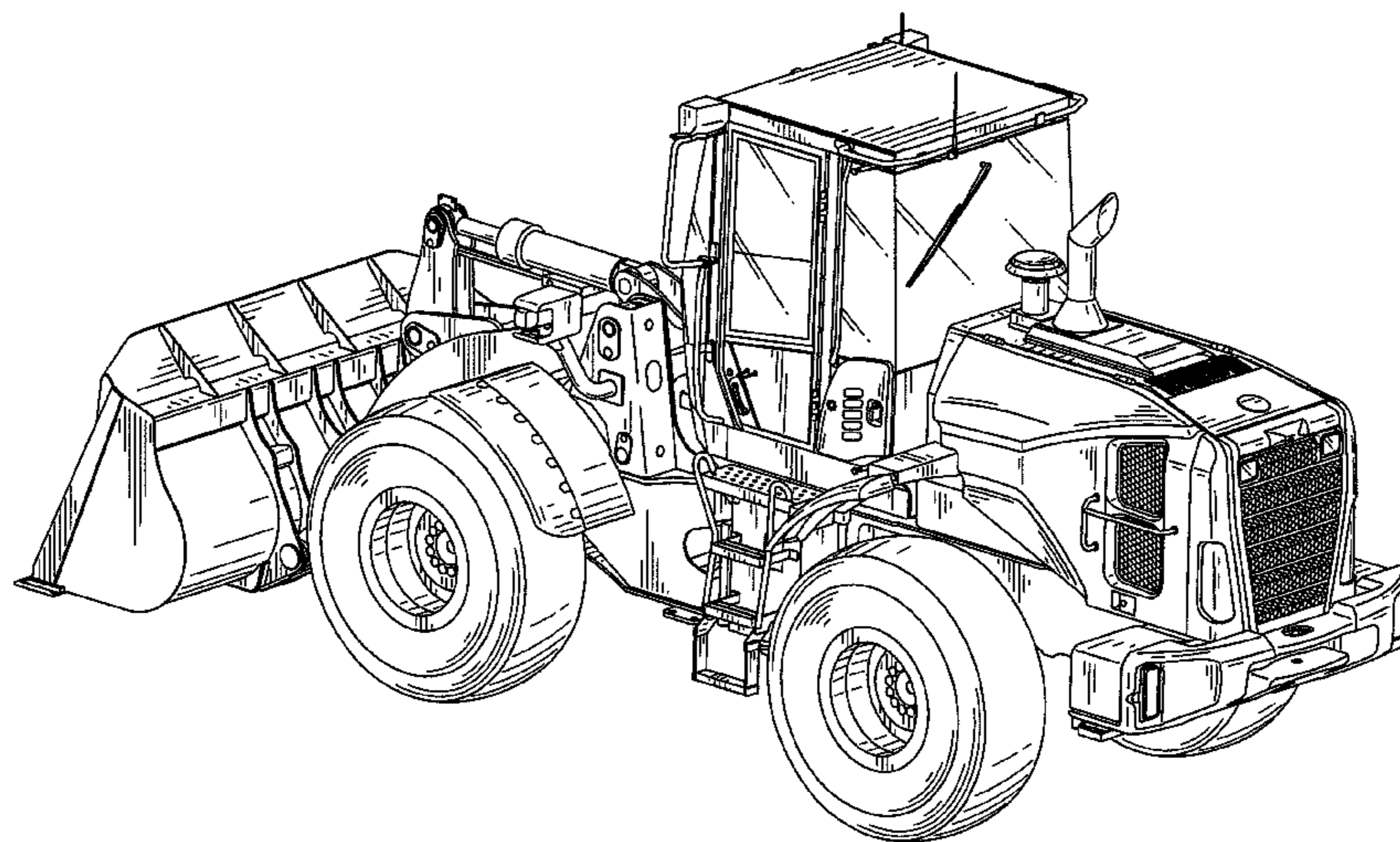
(52) **U.S. Cl.**  
USPC ..... **D15/23; D15/25**

(58) **Field of Classification Search**  
USPC ..... D15/10, 22-26, 33; D21/431; 37/403, 37/409, 442, 443; 180/89.1, 89.12, 89.13; 296/190.03; 414/685, 694, 722, 724

FIG. 1 is a front, top and right side perspective view of a wheel loader showing our new design;  
FIG. 2 is a front elevational view thereof;  
FIG. 3 is a rear elevational view thereof;  
FIG. 4 is a left side elevational view thereof;  
FIG. 5 is a right side elevational view thereof;  
FIG. 6 is a top plan view thereof; and,  
FIG. 7 is a bottom plan view thereof.

See application file for complete search history.

**1 Claim, 6 Drawing Sheets**



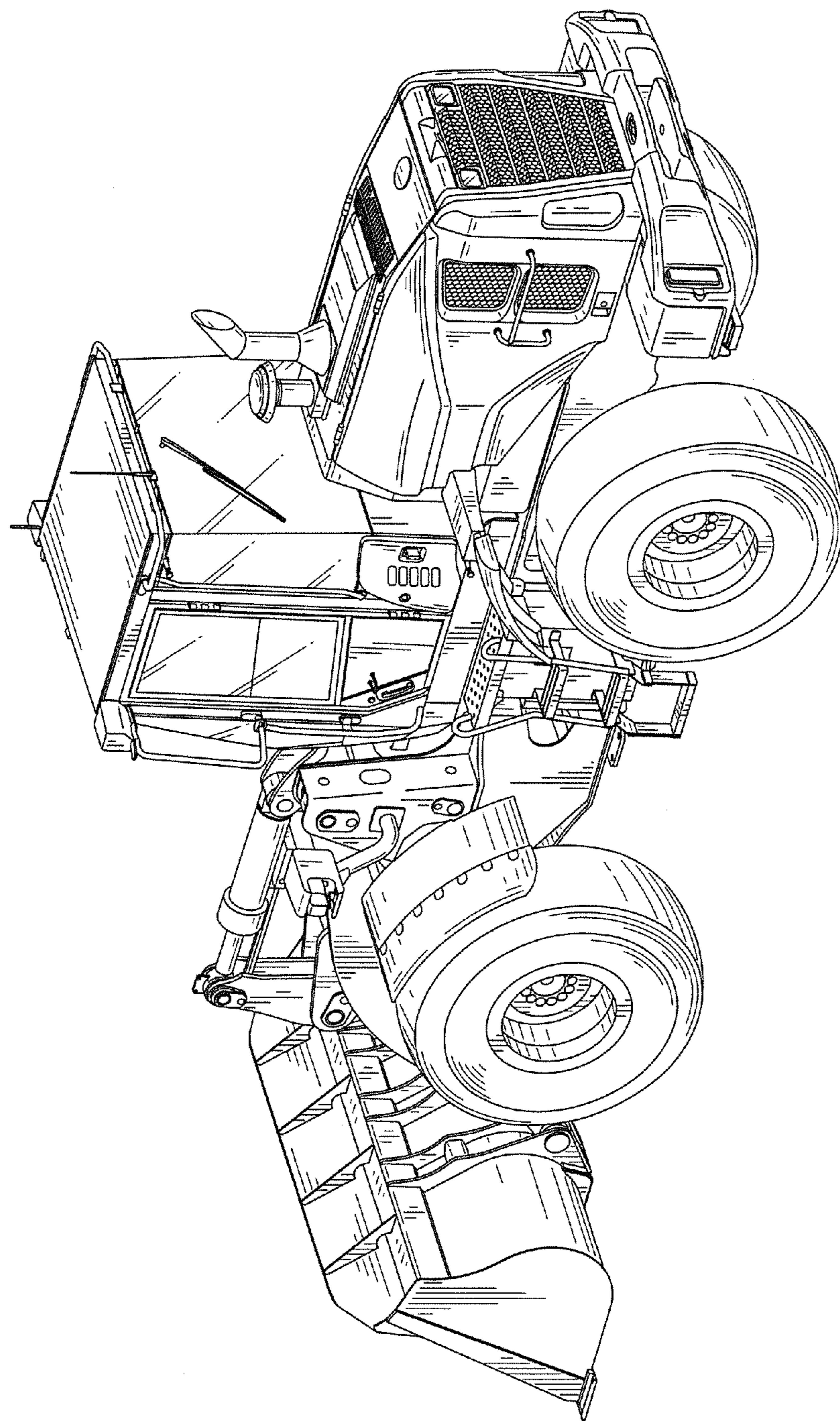


FIG. 1

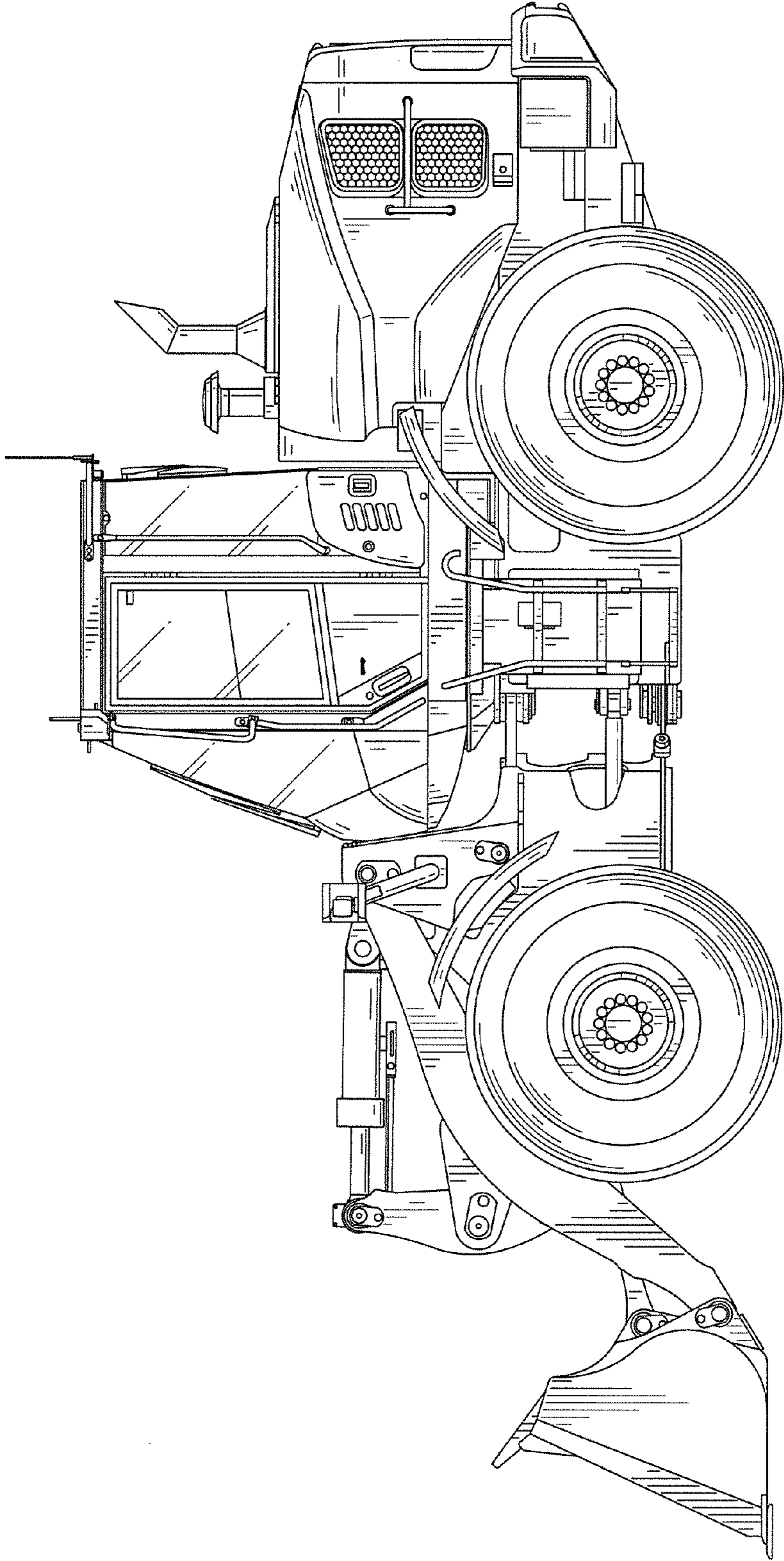


FIG. 2

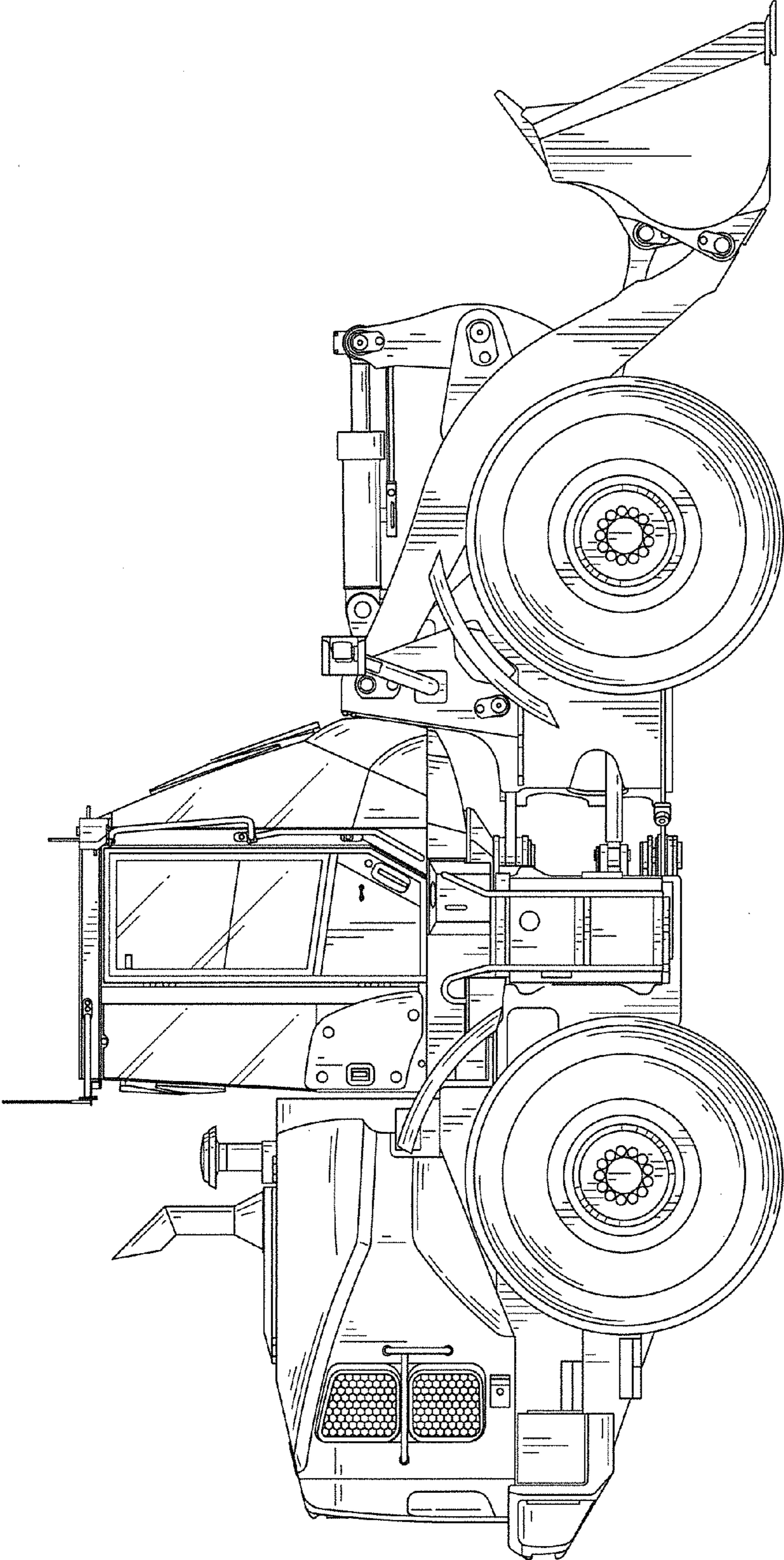


FIG. 3

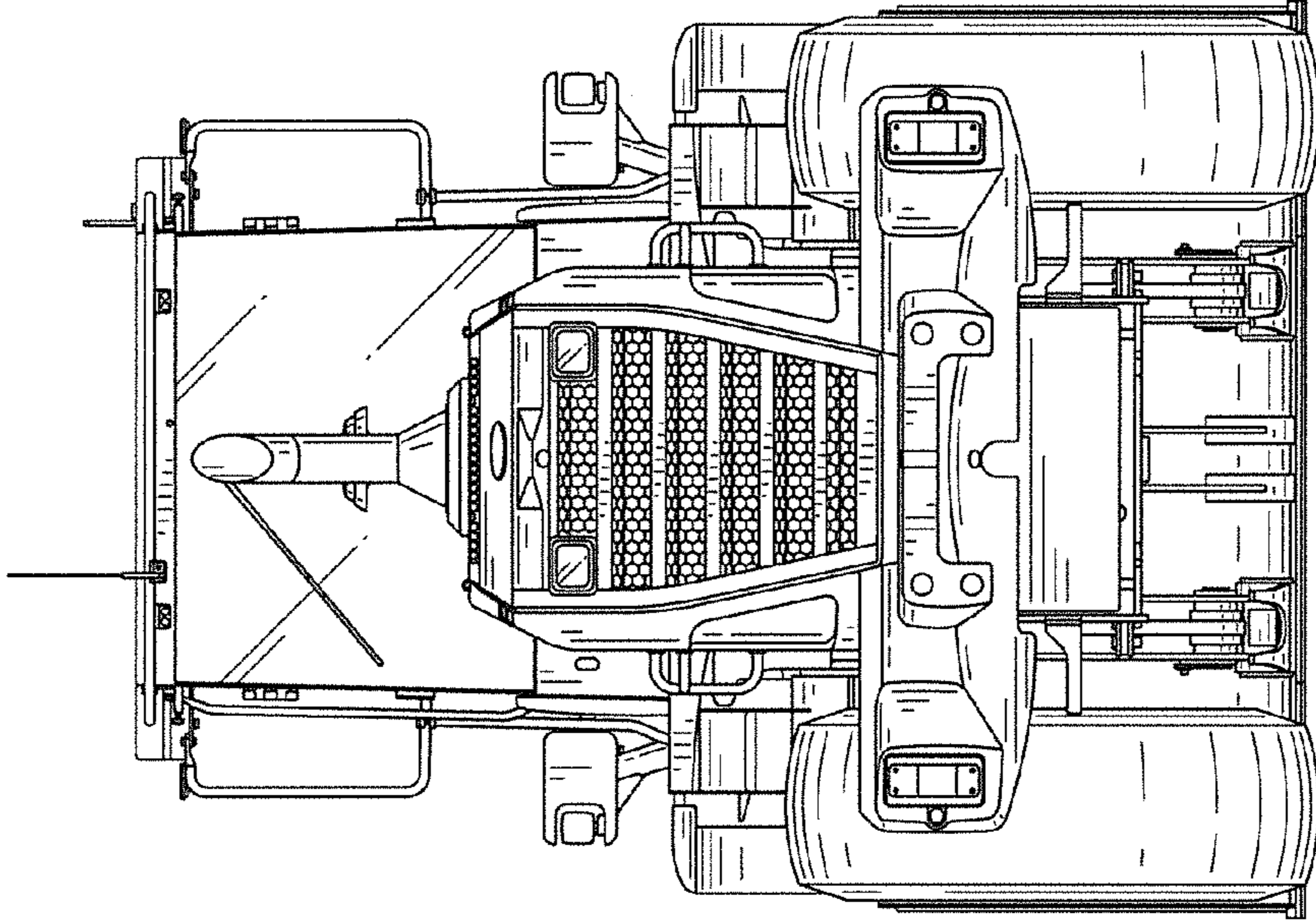


FIG. 4

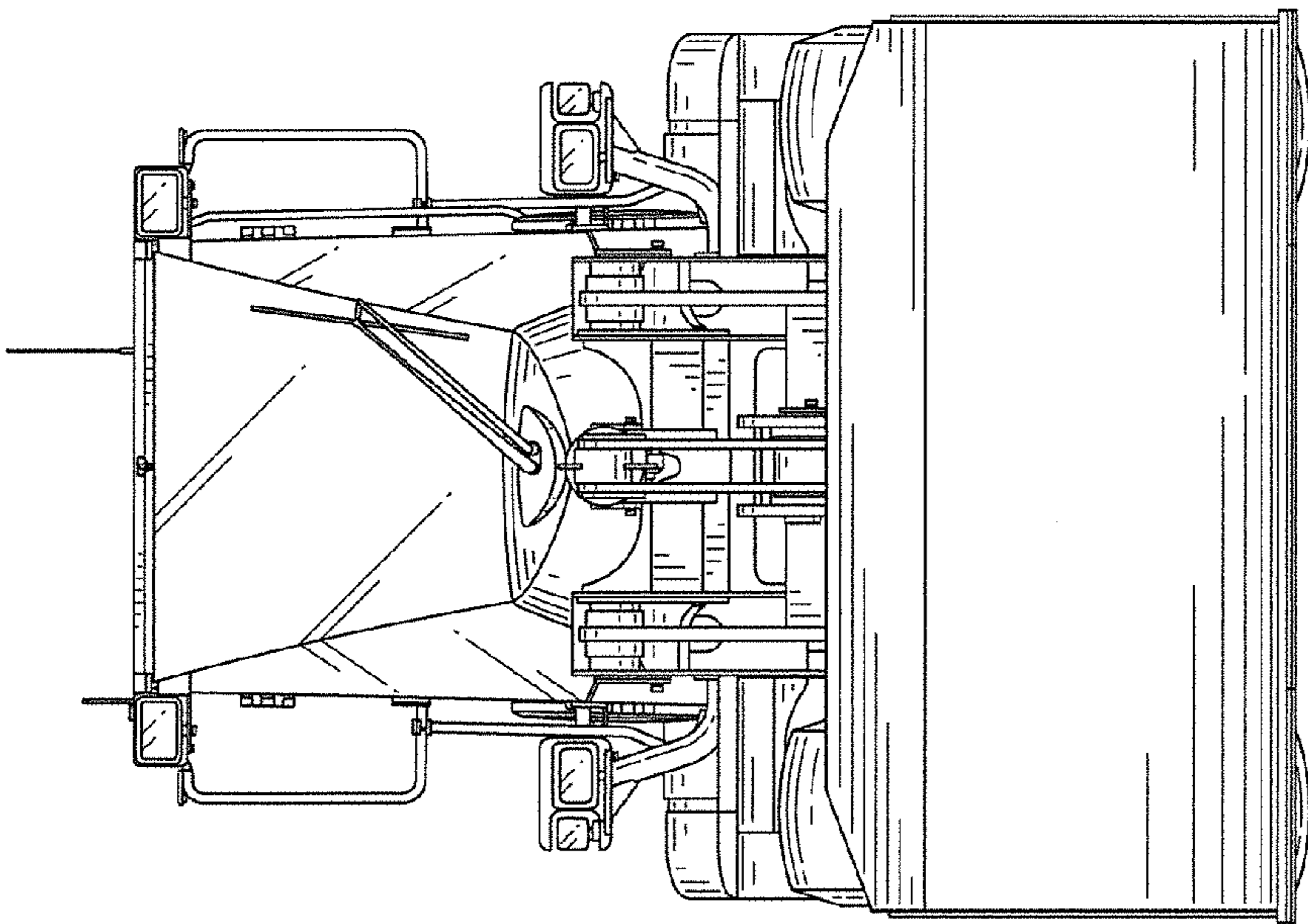


FIG. 5

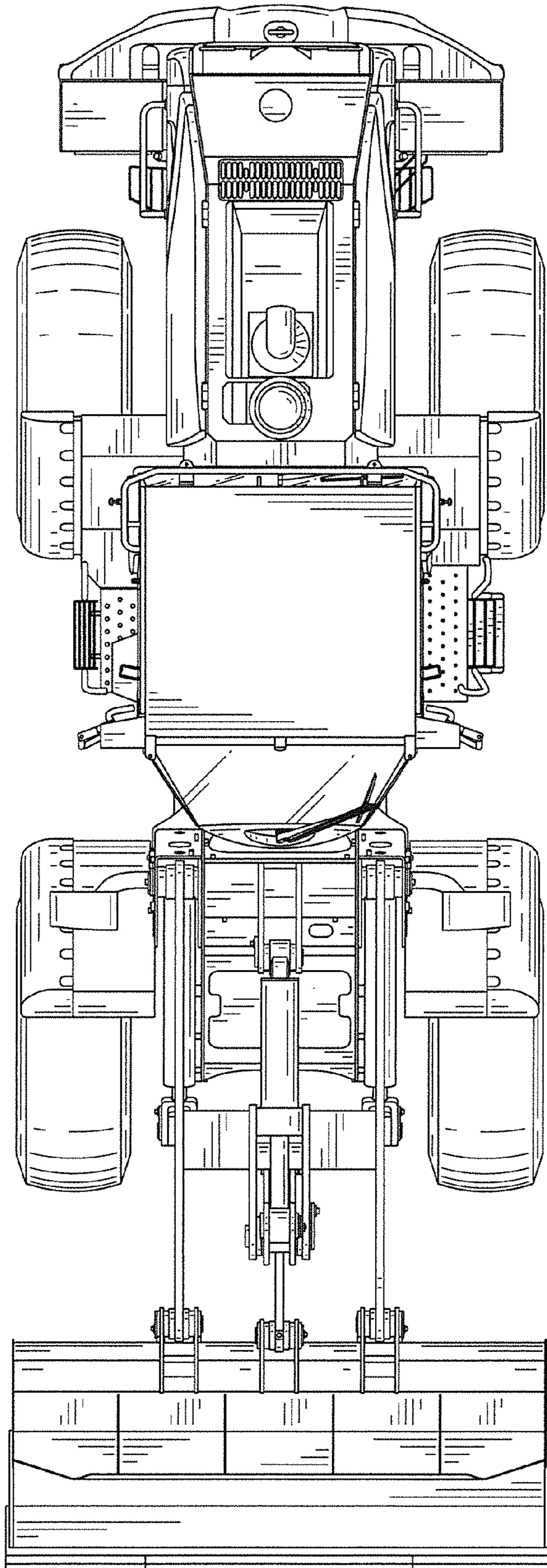


FIG. 6

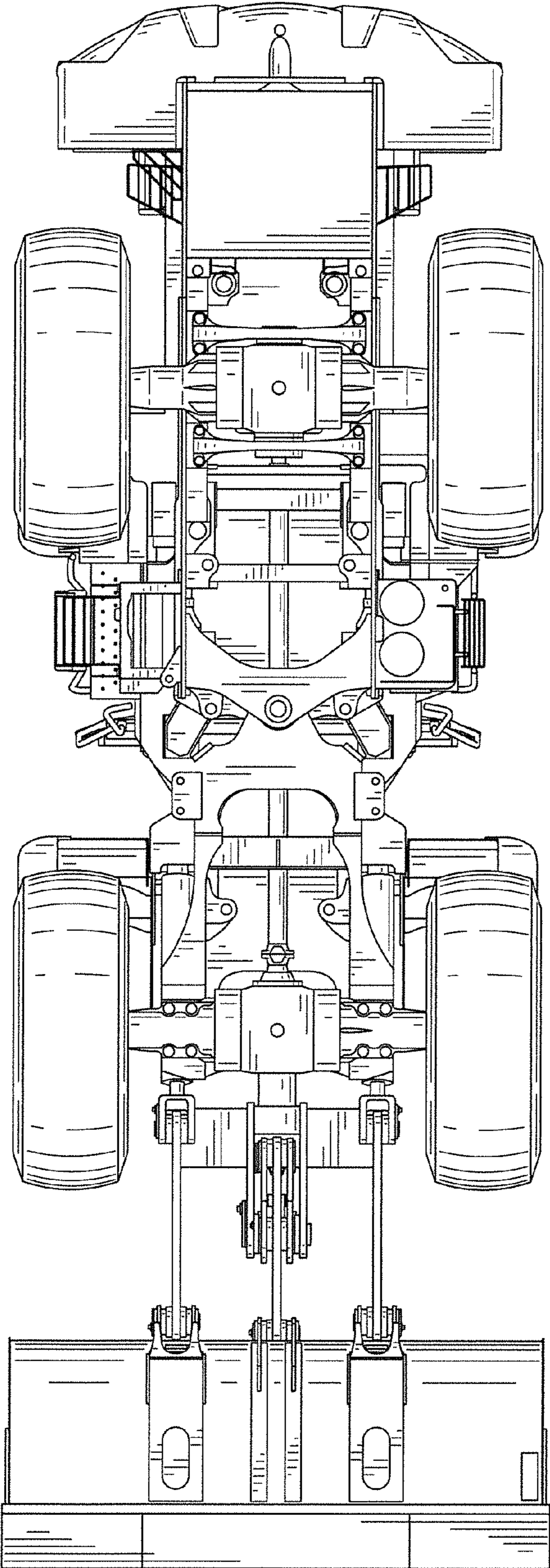


FIG. 7