



US00D693852S

(12) **United States Design Patent**  
**Brazier et al.**

(10) **Patent No.:** **US D693,852 S**

(45) **Date of Patent:** **\*\* Nov. 19, 2013**

(54) **MOWER FRONT FRAME**

(71) Applicant: **Central Boiler, Inc.**, Greenbush, MN  
(US)

(72) Inventors: **Dennis Brazier**, Greenbush, MN (US);  
**Mark Reese**, Greenbush, MN (US)

(73) Assignee: **Central Boiler, Inc.**, Greenbush, MN  
(US)

(\*\*) Term: **14 Years**

(21) Appl. No.: **29/448,420**

(22) Filed: **Mar. 12, 2013**

(51) **LOC (9) Cl.** ..... **15-03**

(52) **U.S. Cl.**  
USPC ..... **D15/17**

(58) **Field of Classification Search**  
USPC ..... D15/10, 14-17, 22, 28, 33; 56/12.1,  
56/12.7, 12.8, 13.4, 13.7, 16.7, 17.1, 17.5,  
56/202, 255, 320.1-320.2; 180/89.1, 311  
See application file for complete search history.

(56) **References Cited**

U.S. PATENT DOCUMENTS

D309,312 S *	7/1990	Hass	.....	D15/17
D344,960 S *	3/1994	Patterson et al.	.....	D15/17
D362,447 S *	9/1995	Lamb	.....	D15/15
D380,761 S *	7/1997	Saylor	.....	D15/15
D392,981 S *	3/1998	Smith	.....	D15/15
D398,311 S *	9/1998	Smith	.....	D15/15
D447,491 S *	9/2001	Goebert et al.	.....	D15/17
D450,330 S *	11/2001	Katoh et al.	.....	D15/15

D453,777 S *	2/2002	Williams	.....	D15/33
D493,472 S *	7/2004	Higashikawa et al.	.....	D15/28
D494,985 S *	8/2004	Kim et al.	.....	D15/17
D495,718 S *	9/2004	Higashikawa	.....	D15/15
D512,444 S *	12/2005	Ayers et al.	.....	D15/15
D636,001 S *	4/2011	Martin et al.	.....	D15/33
D656,965 S *	4/2012	Ortlund et al.	.....	D15/17
D681,688 S *	5/2013	Higashikawa	.....	D15/17

\* cited by examiner

*Primary Examiner* — Mark Goodwin

(74) *Attorney, Agent, or Firm* — Lowe Graham Jones PLLC

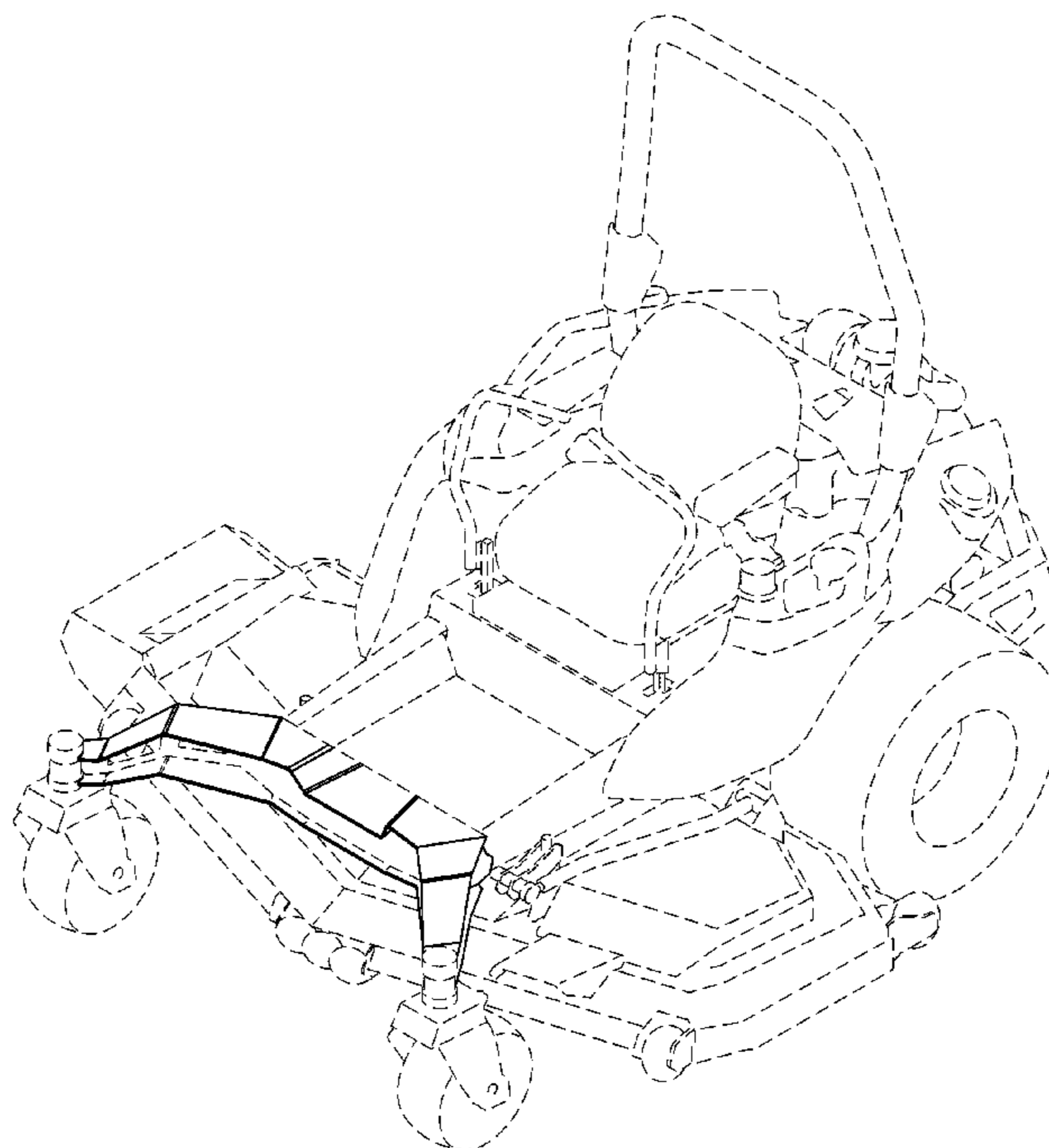
(57) **CLAIM**

We claim the ornamental design for a mower front frame, as shown and described.

**DESCRIPTION**

FIG. 1 is a front isometric view of the mower front frame, showing our new design;  
 FIG. 2 is a front-elevational view of the mower front frame;  
 FIG. 3 is a left side-elevational view of the mower front frame;  
 FIG. 4 is a top view of the mower front frame;  
 FIG. 5 is a right side-elevational view of the mower front frame;  
 FIG. 6 is a rear-elevational view of the mower front frame;  
 and,  
 FIG. 7 is a bottom view of the mower front frame.  
 The broken line showing of a mower is included for the purpose of illustrating environmental structure only and forms no part of the claimed design.

**1 Claim, 7 Drawing Sheets**



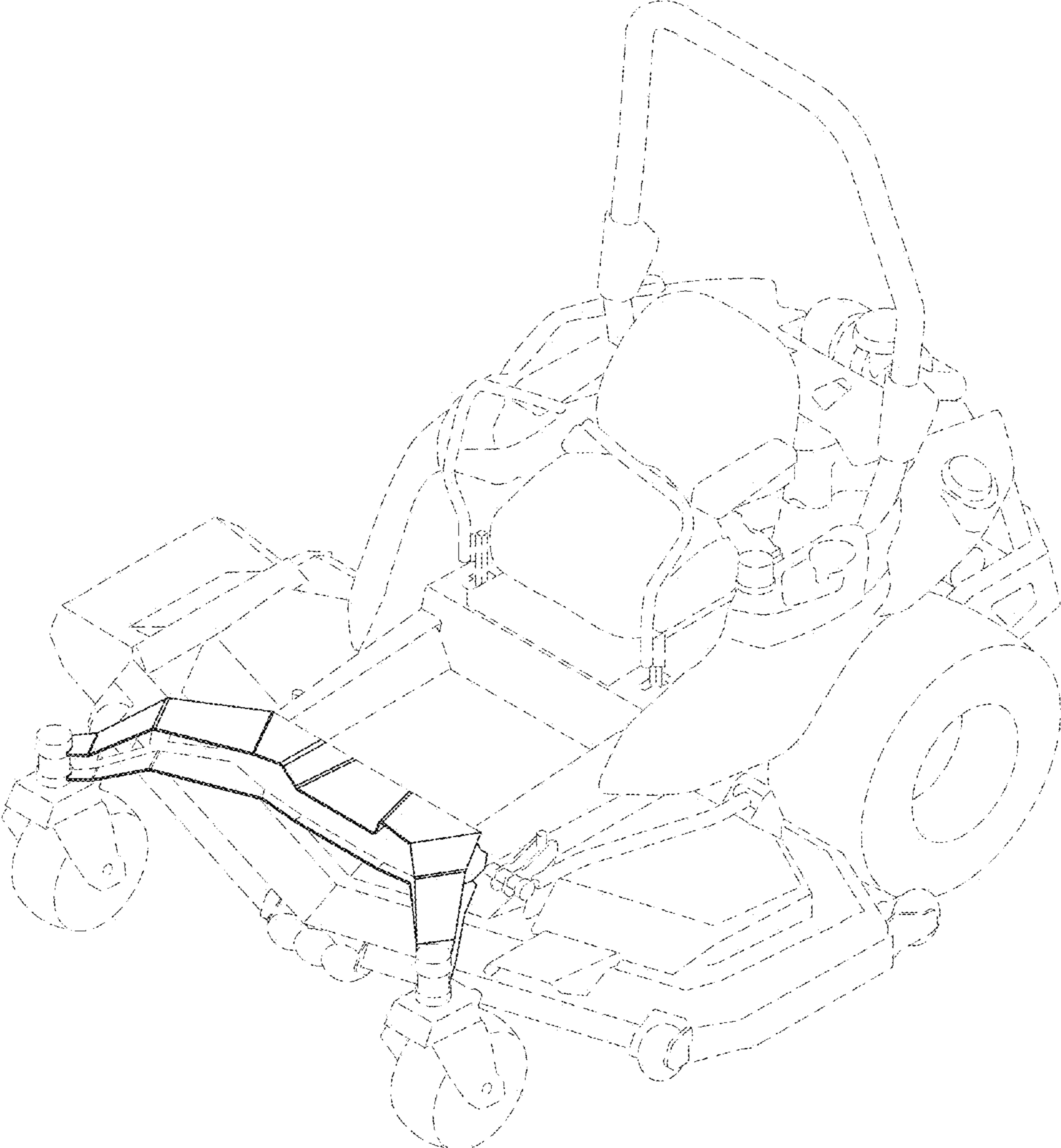


FIG.1

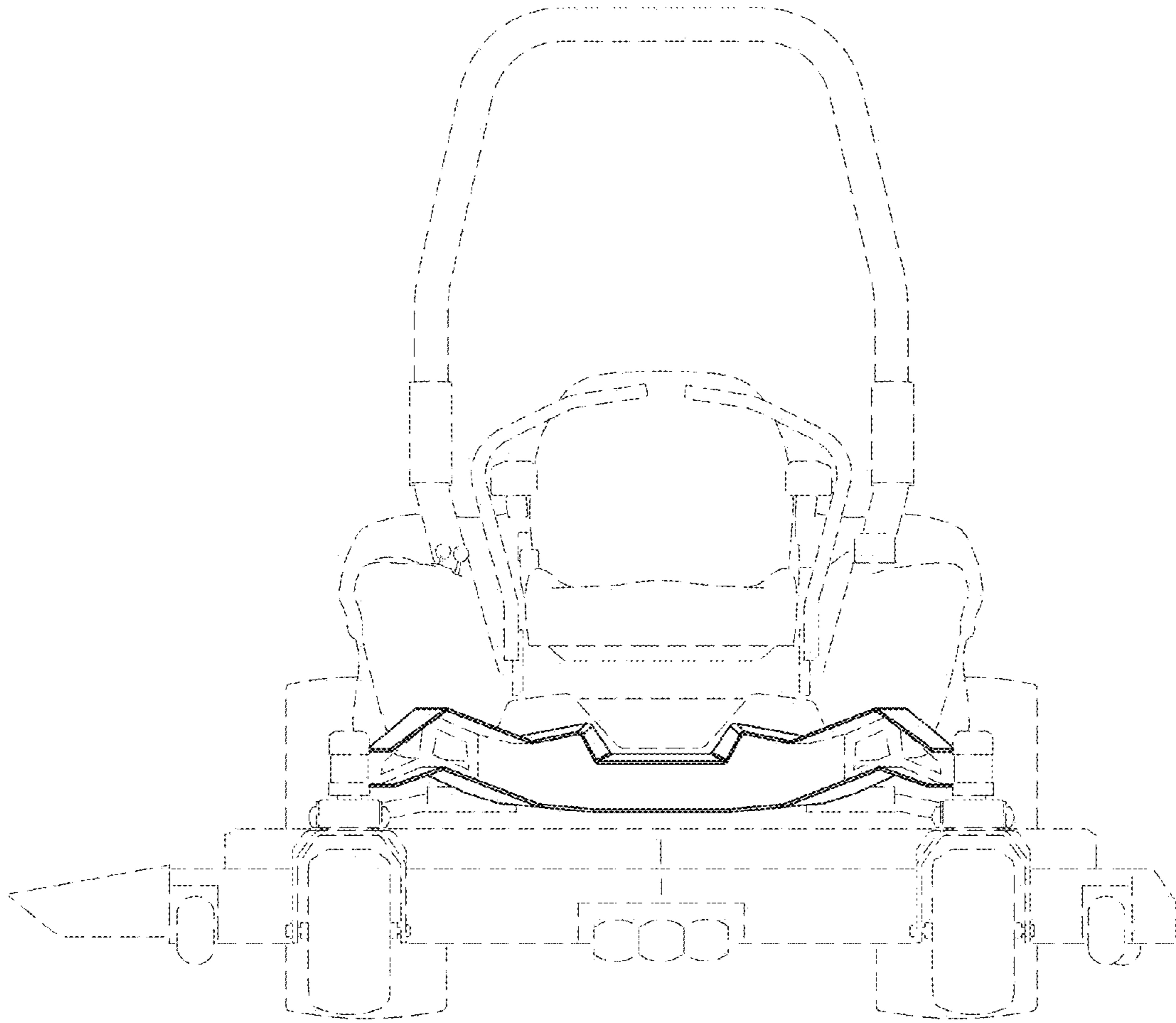


FIG.2

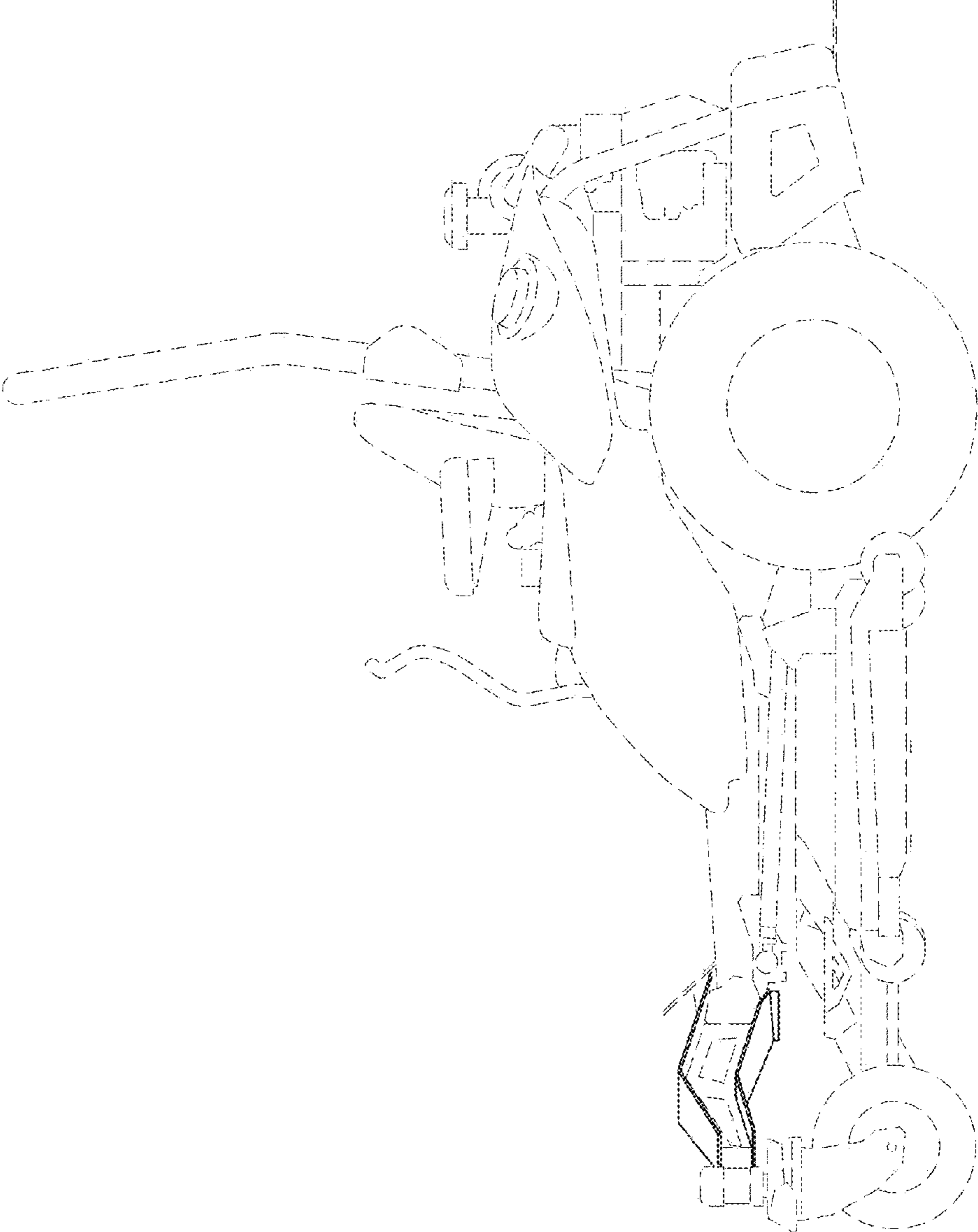


FIG. 3

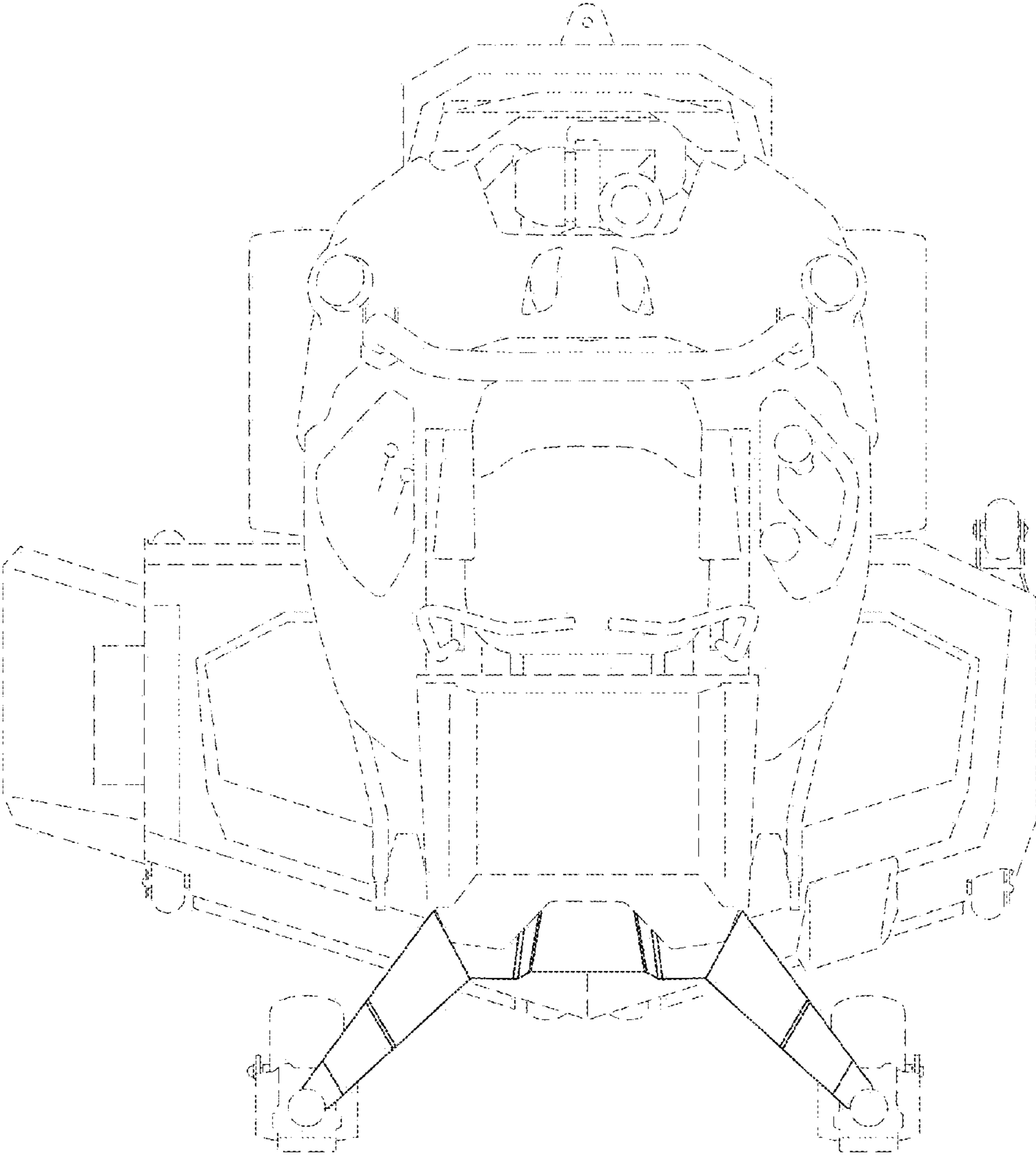


FIG.4

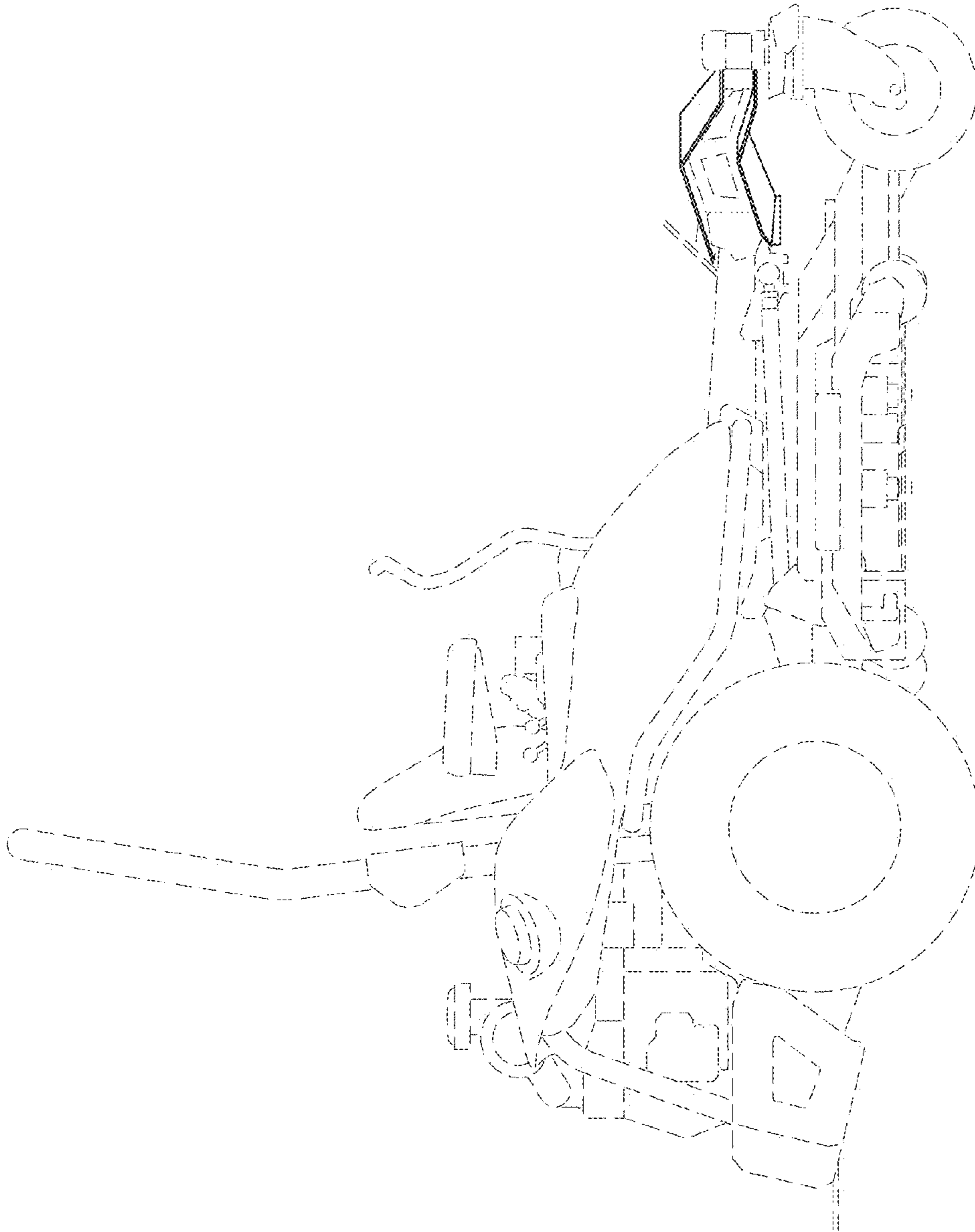


FIG. 5

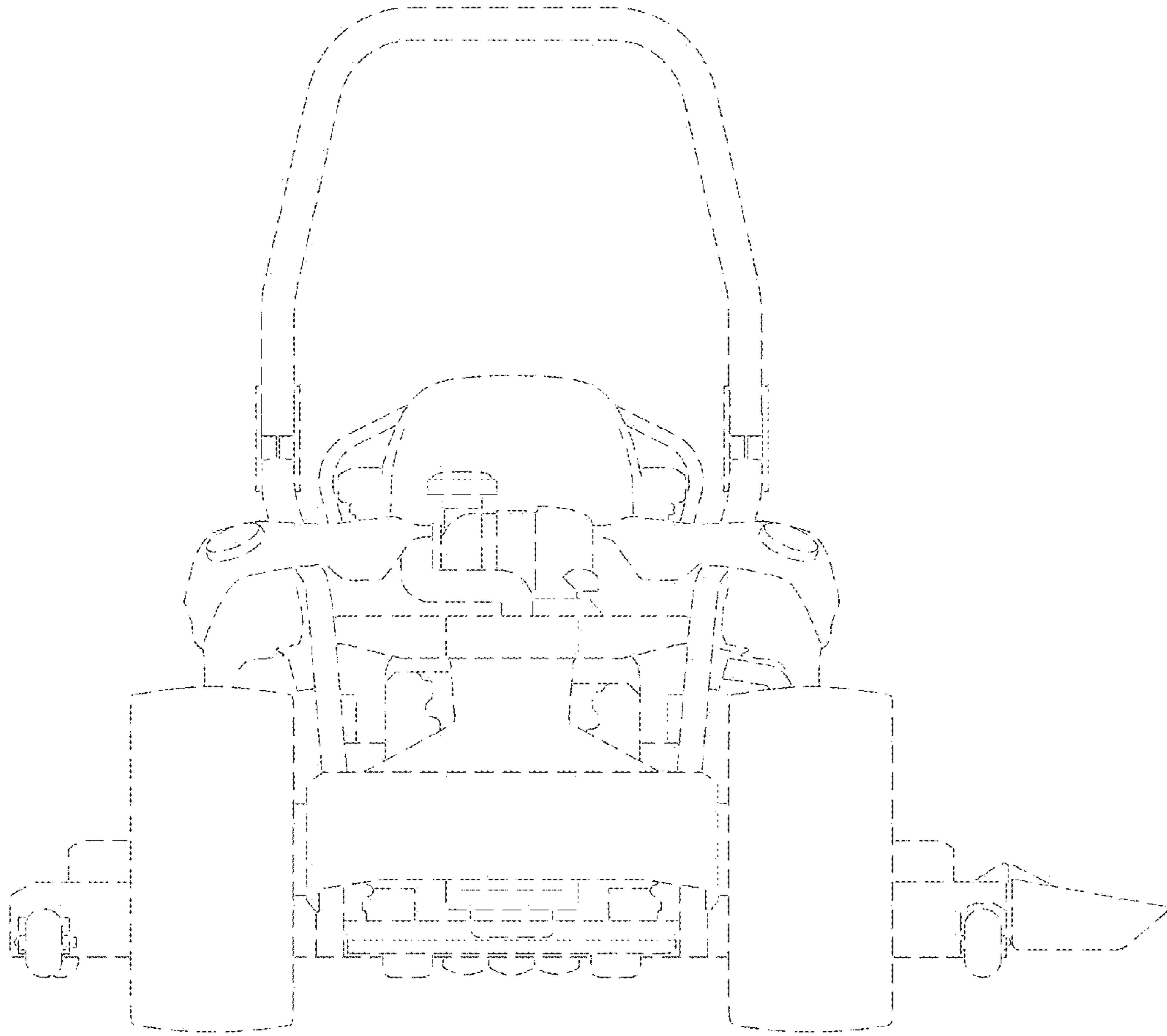


FIG.6

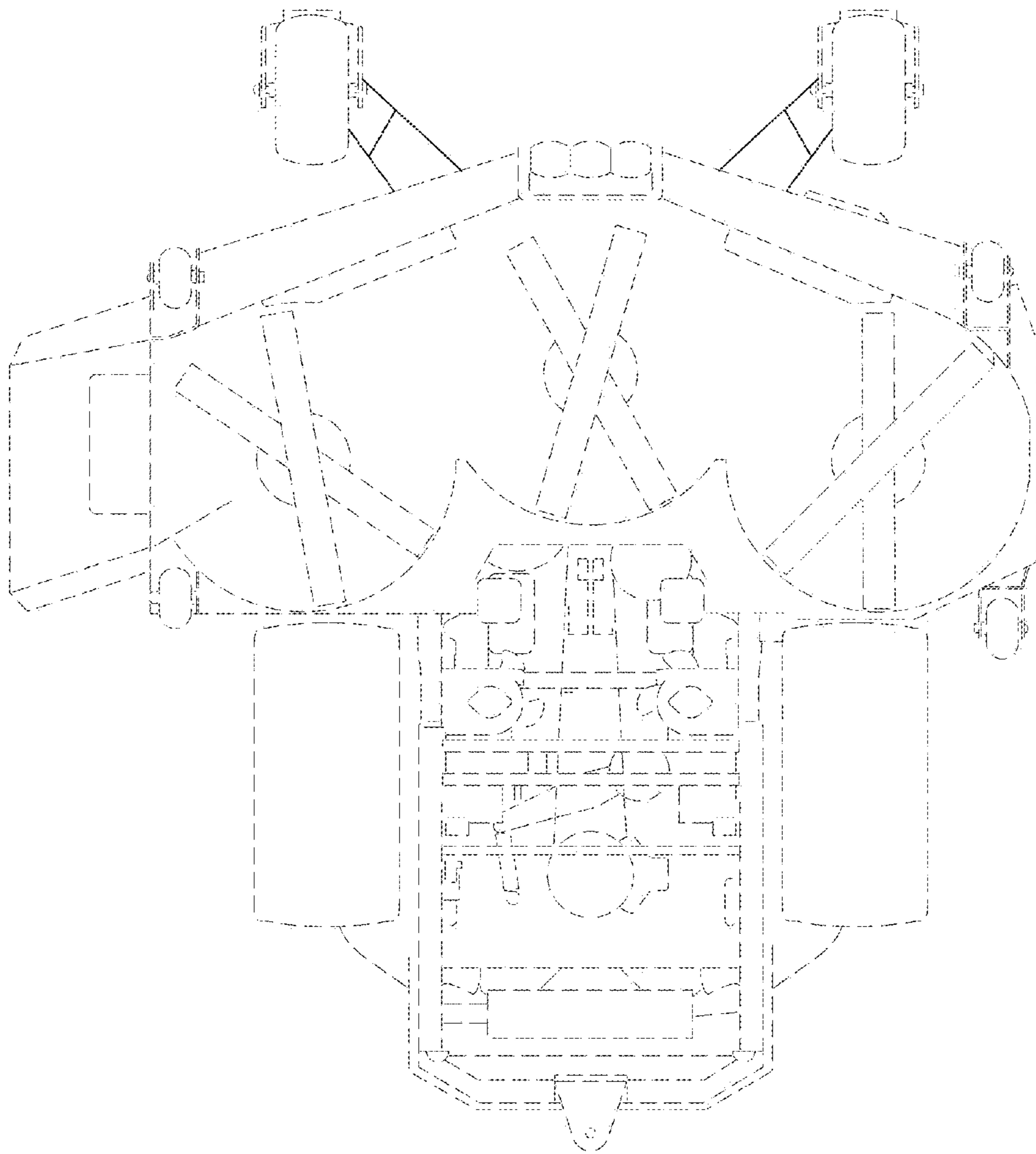


FIG. 7