



US00D693850S

(12) **United States Design Patent**
Haider et al.

(10) **Patent No.:** **US D693,850 S**

(45) **Date of Patent:** **** Nov. 19, 2013**

(54) **PUMP SHROUD**

- (71) Applicant: **Waterous Company**, South St. Paul, MN (US)
- (72) Inventors: **Mark Francis Haider**, St. Paul, MN (US); **Thomas Joseph Mettler**, Hudson, WI (US); **Henry Yinwah Tsang**, Roseville, MN (US); **Brian Jacob Johnson**, South St. Paul, MN (US); **Jason Adam Smith**, Hudson, WI (US); **Robert Allen Johnson**, White Bear Lake, MN (US)
- (73) Assignee: **Waterous Company**, South St. Paul, MN (US)
- (**) Term: **14 Years**
- (21) Appl. No.: **29/451,643**
- (22) Filed: **Apr. 5, 2013**

Related U.S. Application Data

- (62) Division of application No. 29/421,617, filed on Jun. 6, 2012, now Pat. No. Des. 682,886.
- (51) **LOC (9) Cl.** **15-02**
- (52) **U.S. Cl.**
USPC **D15/7**
- (58) **Field of Classification Search**
USPC D15/7-9; D23/231, 232, 225; 417/60, 417/235, 265, 321, 355, 358, 363, 359, 417/410.1, 415-416, 405, 900, 43, 554; 60/408, 412; 184/26-37; 415/140-147; 123/495, 509; 166/105.1, 105.2, 311
See application file for complete search history.

(56) **References Cited**

U.S. PATENT DOCUMENTS

D520,026 S	5/2006	Hulks	
D540,350 S	4/2007	Hulks	
D575,307 S *	8/2008	Chu	D15/9
D589,060 S	3/2009	Metcalfe	
D602,501 S	10/2009	Ton	
D603,874 S *	11/2009	Chu	D15/9
D611,504 S	3/2010	Ton	
D659,720 S	5/2012	Lucchi	
D662,515 S	6/2012	Fadler et al.	

* cited by examiner

Primary Examiner — Ralf Seifert

(74) *Attorney, Agent, or Firm* — Dicke, Billig & Czaja, PLLC

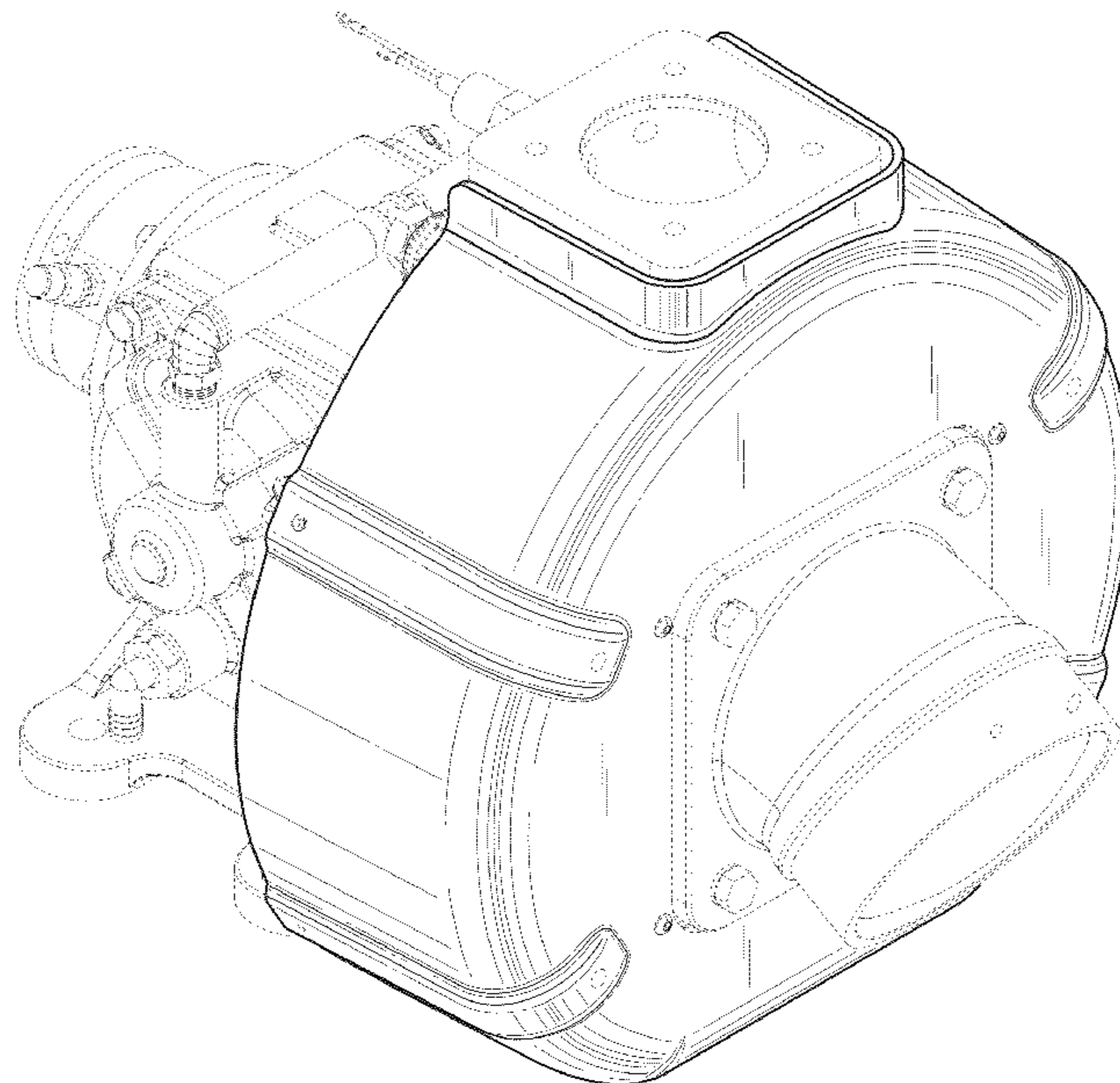
(57) **CLAIM**

The ornamental design for a pump shroud, as shown and described.

DESCRIPTION

FIG. 1 is an isometric view of the pump shroud of the present invention mounted to a pump assembly;
 FIG. 2 is a front plan view of the pump shroud;
 FIG. 3 is a rear plan view of the pump shroud;
 FIG. 4 is a left side view of the pump shroud;
 FIG. 5 is a right side view of the pump shroud;
 FIG. 6 is a top plan view of the pump shroud; and,
 FIG. 7 is a bottom plan view of the pump shroud.
 Those portions of the drawings shown in broken lines are included for illustrative purposes only and form no part of the claimed design.

1 Claim, 5 Drawing Sheets



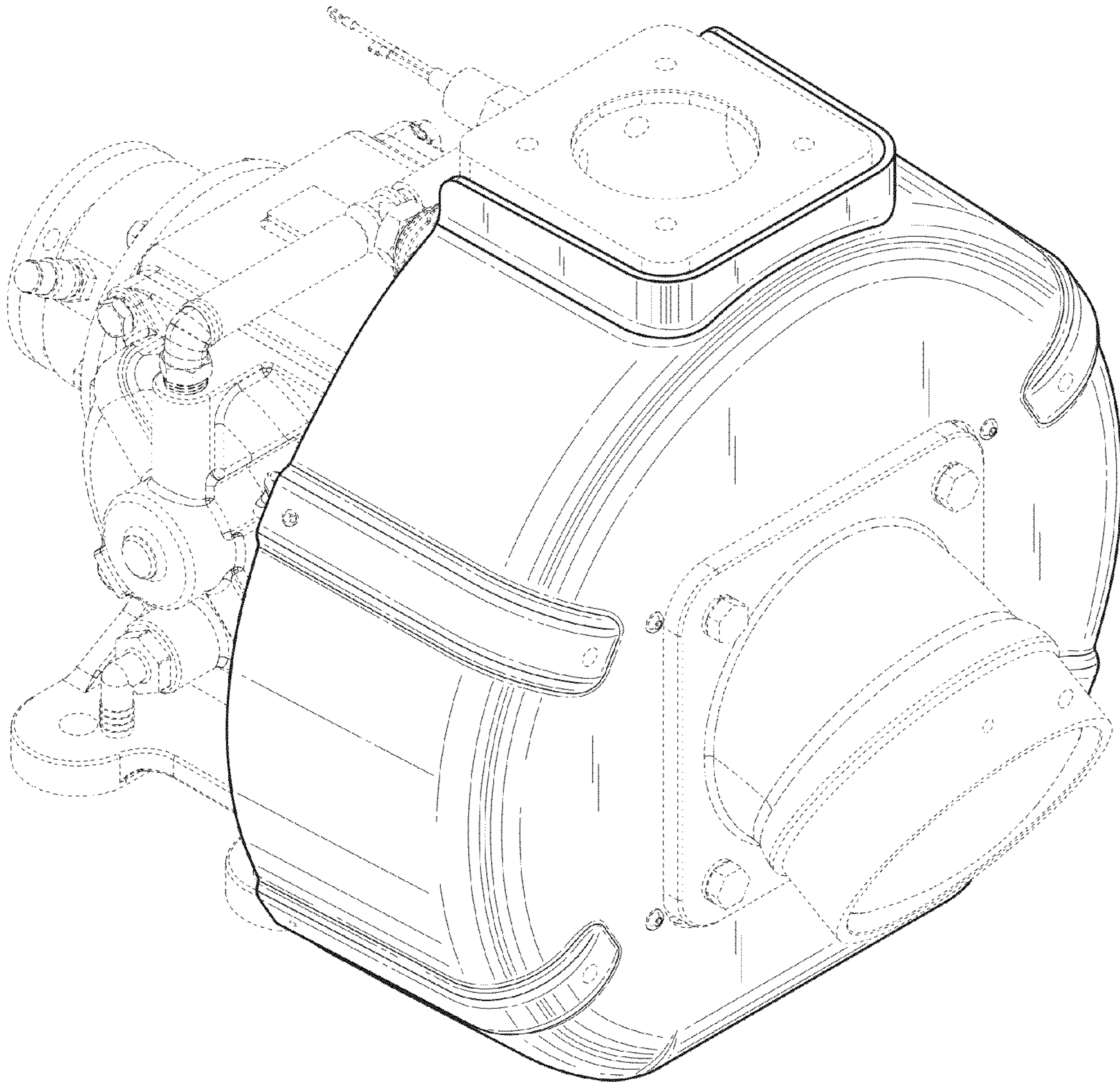


Fig. 1

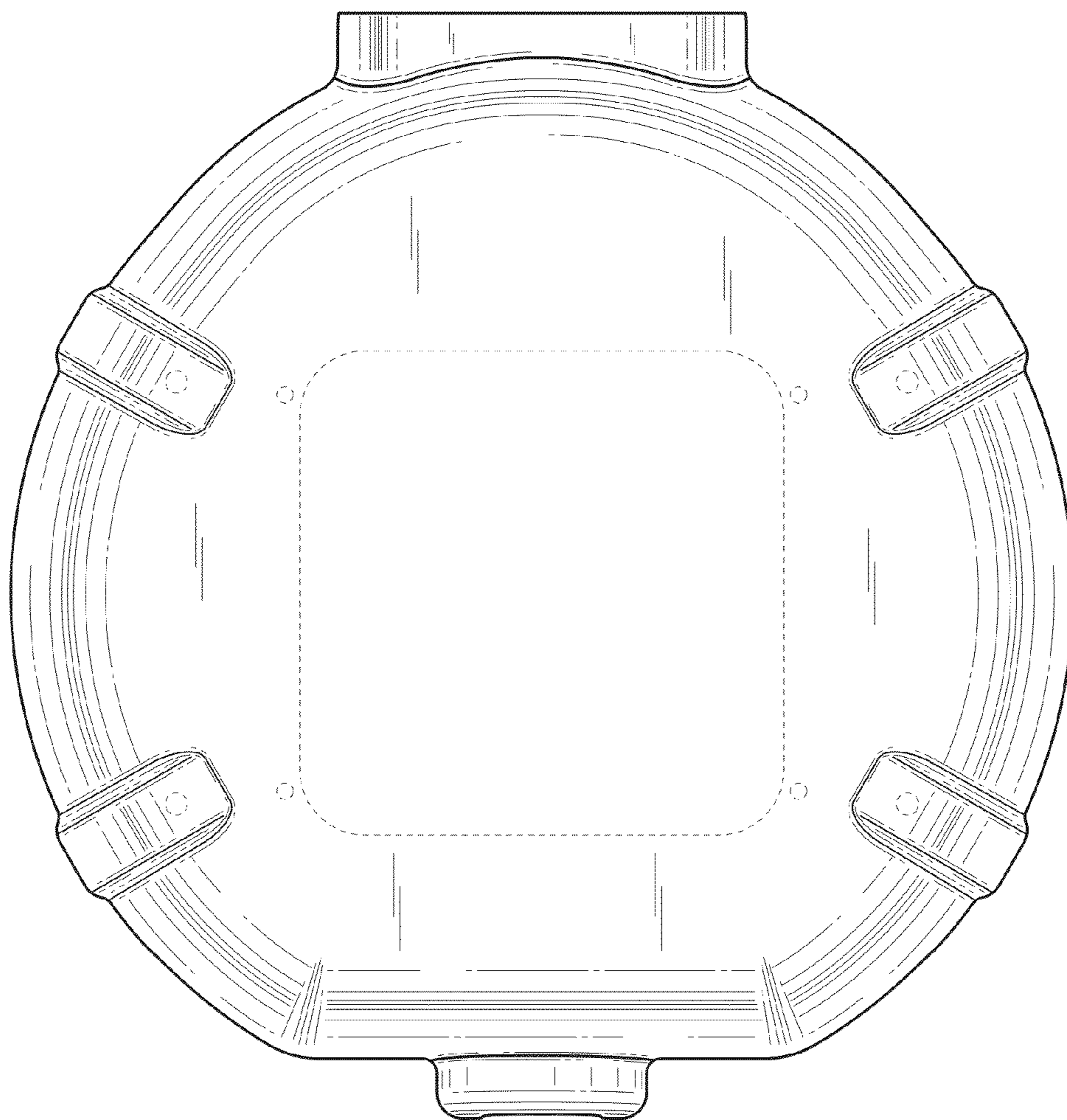


Fig. 2

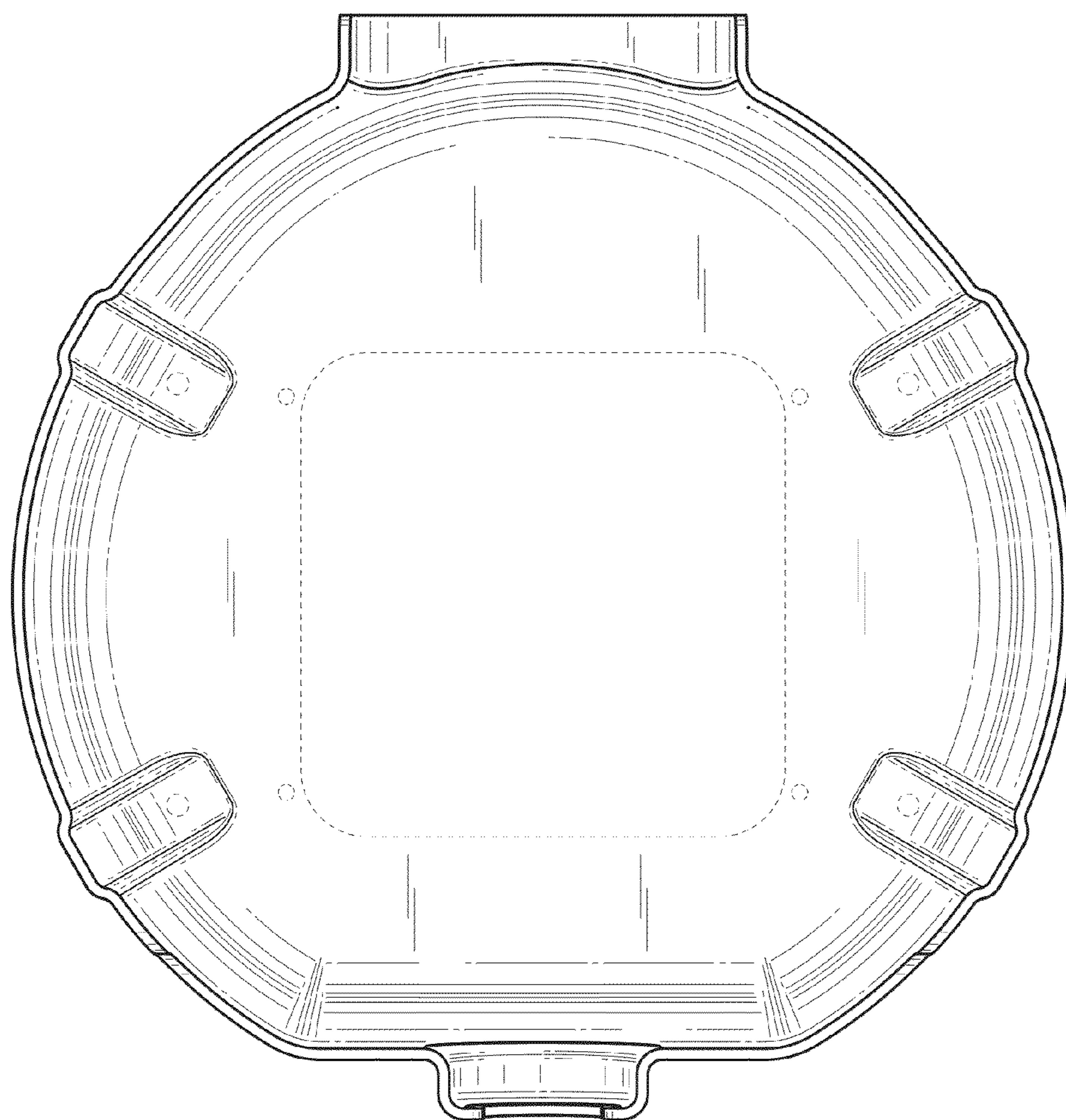


Fig. 3

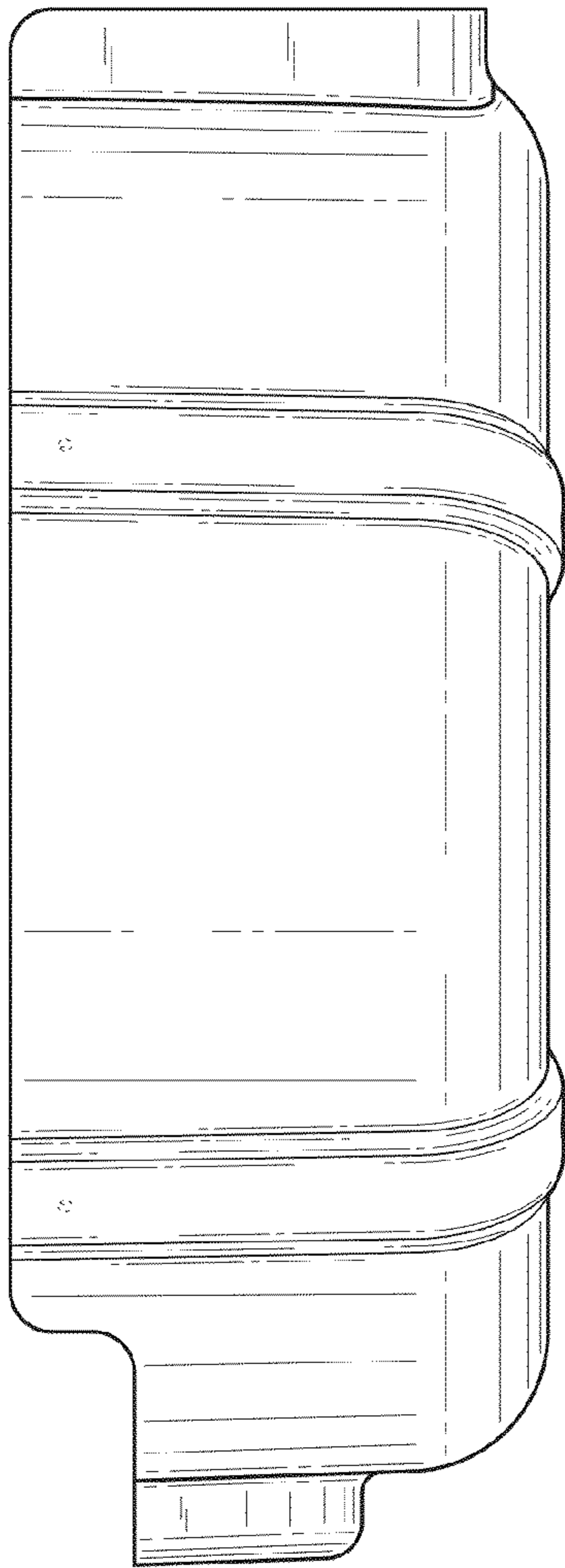


Fig. 4

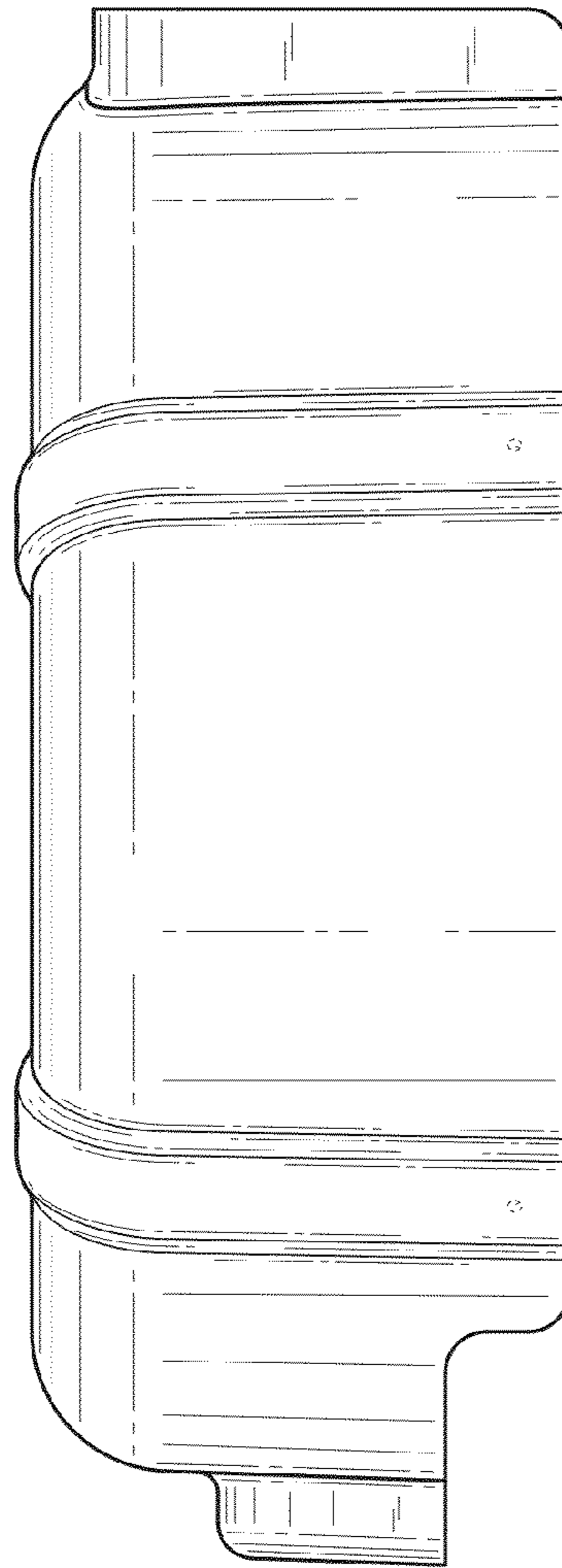


Fig. 5

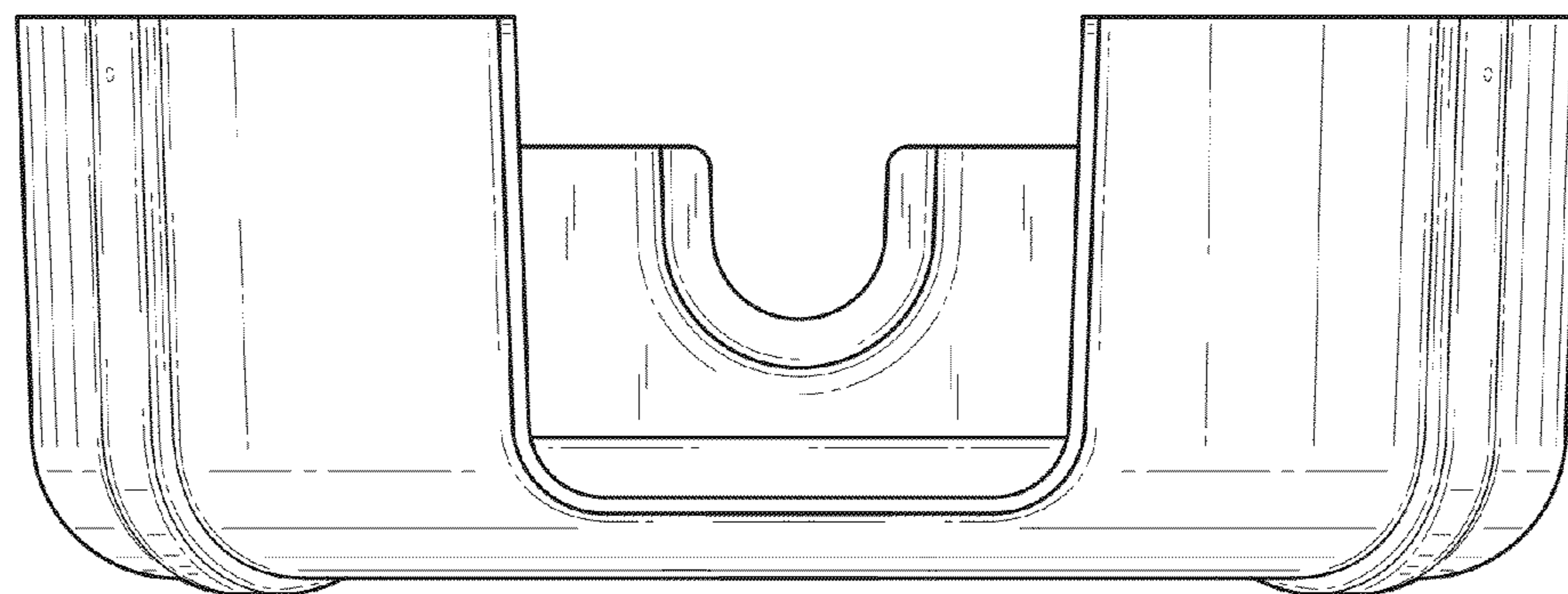


Fig. 6

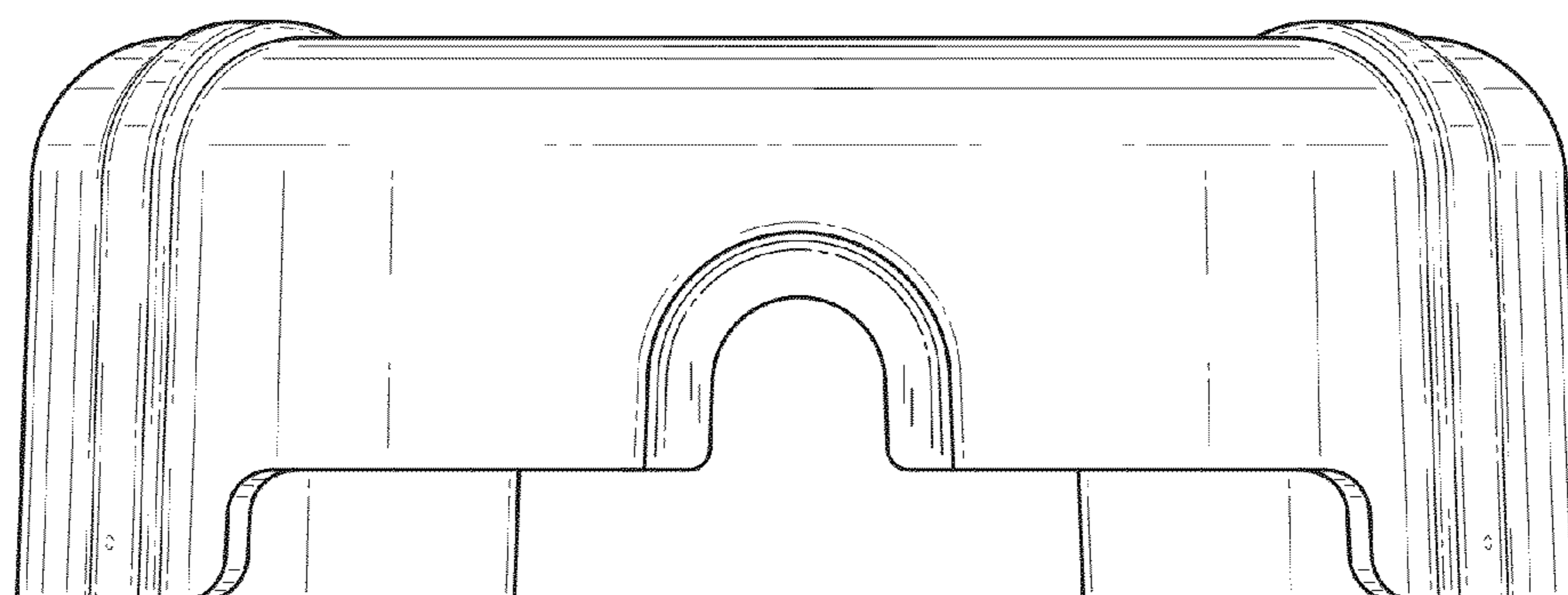


Fig. 7