



US00D693848S

(12) **United States Design Patent**
Stephan et al.

(10) **Patent No.:** **US D693,848 S**

(45) **Date of Patent:** **** Nov. 19, 2013**

(54) **CONTROL DEVICE FOR A VEHICLE
DYNAMICS CONTROL SYSTEM**

D593,962 S * 6/2009 Ross et al. D13/162
7,647,148 B2 * 1/2010 Lu 701/38
8,204,650 B2 * 6/2012 Kesselgruber et al. 701/38

(75) Inventors: **Arne Stephan**, Hannover (DE); **Karsten Lüchau**, Lachendorf (DE)

* cited by examiner

(73) Assignee: **WABCO GmbH**, Hannover (DE)

Primary Examiner — T. Chase Nelson

Assistant Examiner — Ania Aman

(**) Term: **14 Years**

(74) *Attorney, Agent, or Firm* — Kramer Levin Naftalis & Frankel LLP

(21) Appl. No.: **29/374,139**

(22) Filed: **Jul. 6, 2011**

(57) **CLAIM**

The ornamental design for a control device for a vehicle dynamics control system, as shown and described.

(30) **Foreign Application Priority Data**

May 3, 2011 (EM) 001273882-0001

DESCRIPTION

(51) **LOC (9) Cl.** **15-01**

(52) **U.S. Cl.**
USPC **D15/5**

(58) **Field of Classification Search**
USPC D15/1, 3, 5; D13/112, 101, 113, 114,
D13/199; 280/455.1; 701/38
See application file for complete search history.

FIG. 1 is a top, front, right side perspective view of a control device for a vehicle dynamics control system showing the new design;

FIG. 2 is a top plan view thereof;

FIG. 3 is a front elevational view thereof;

FIG. 4 is a left side elevational view thereof;

FIG. 5 is a right side elevational view thereof;

FIG. 6 is a rear elevational view thereof; and,

FIG. 7 is a bottom plan view thereof.

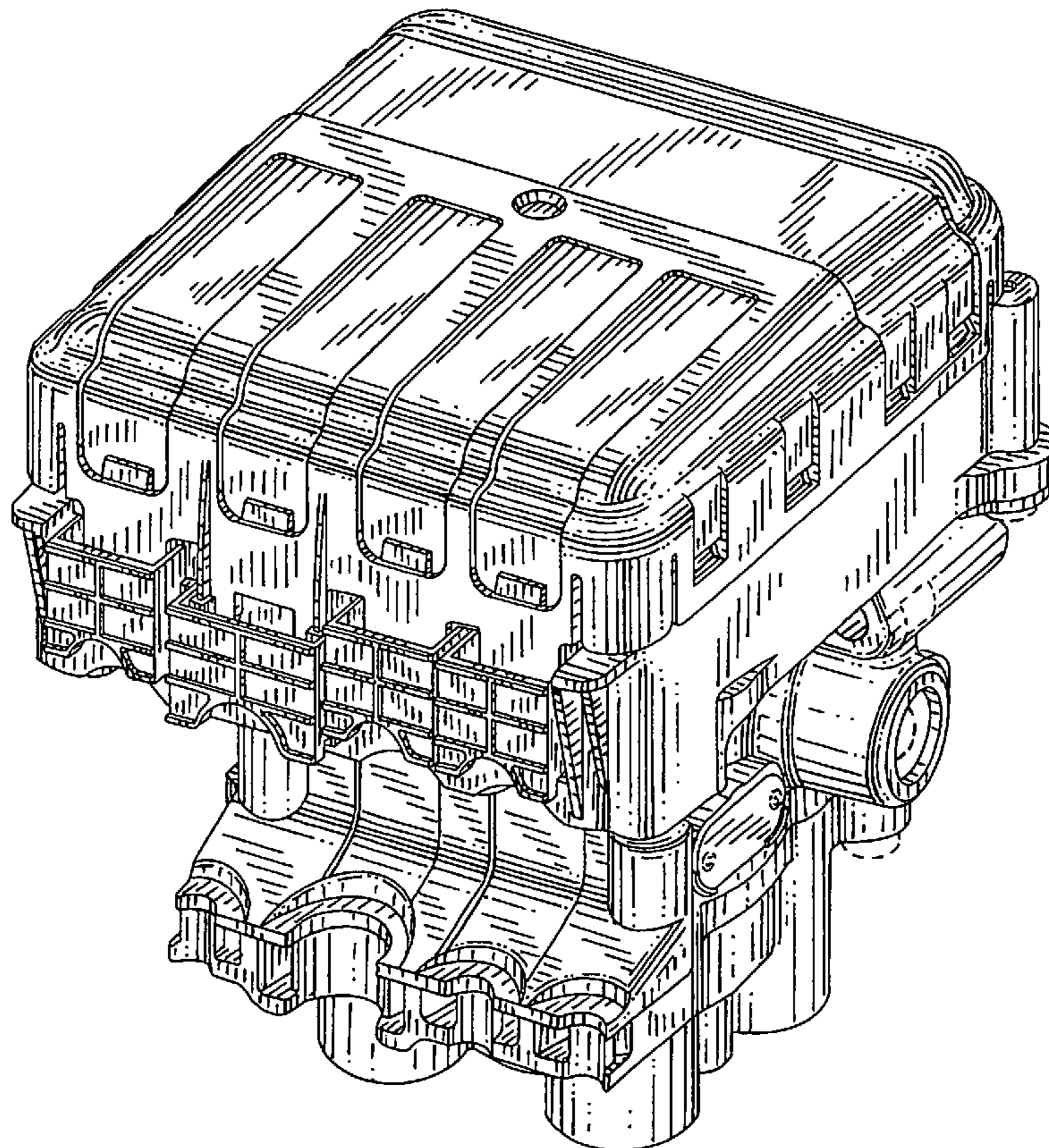
The portions of the design depicted in broken lines form no part of the claimed design.

(56) **References Cited**

U.S. PATENT DOCUMENTS

5,610,493 A * 3/1997 Wieloch 318/801
7,354,056 B2 * 4/2008 Namuduri et al. 280/455.1

1 Claim, 7 Drawing Sheets



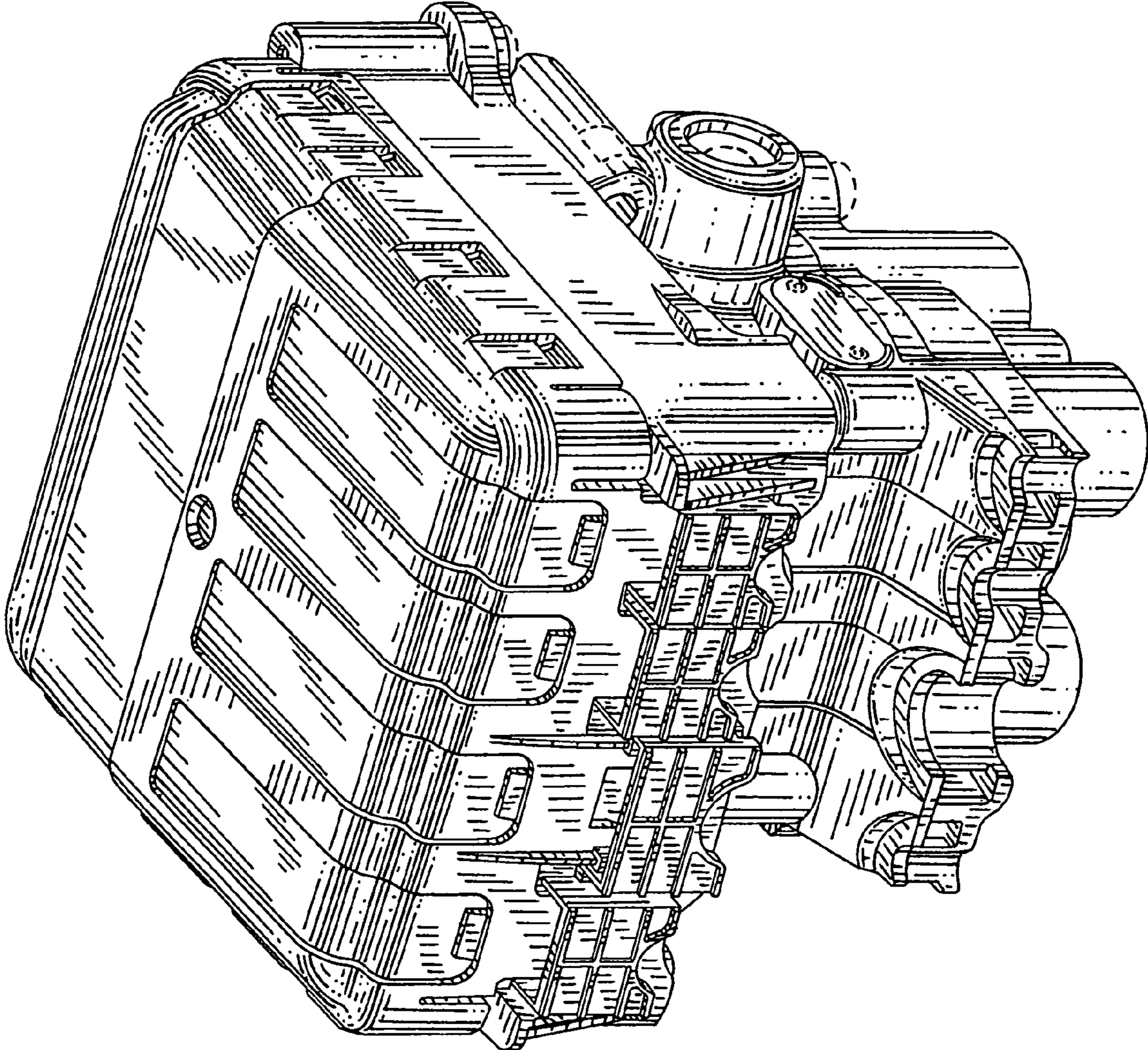


FIG. 1

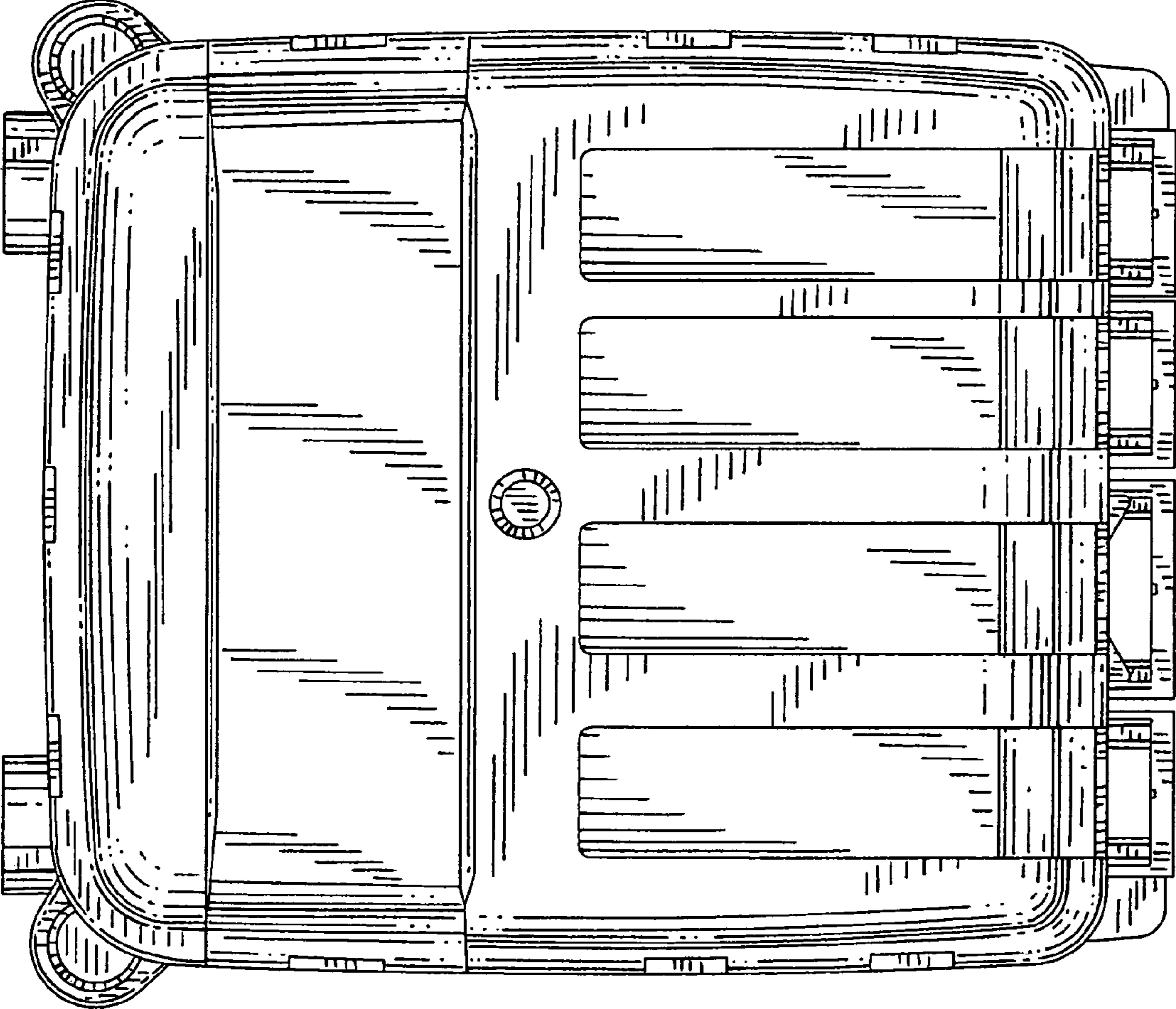


FIG. 2

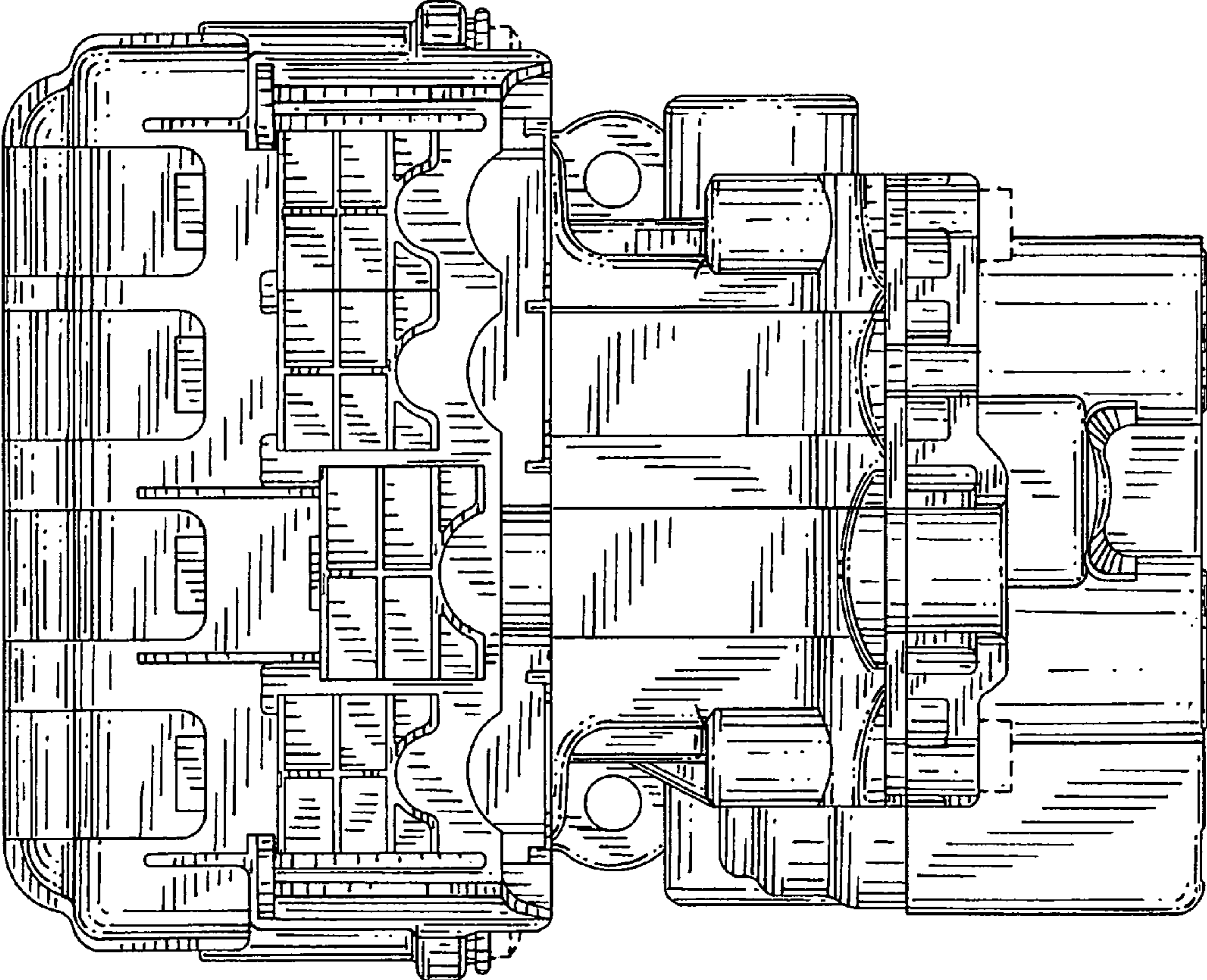


FIG. 3

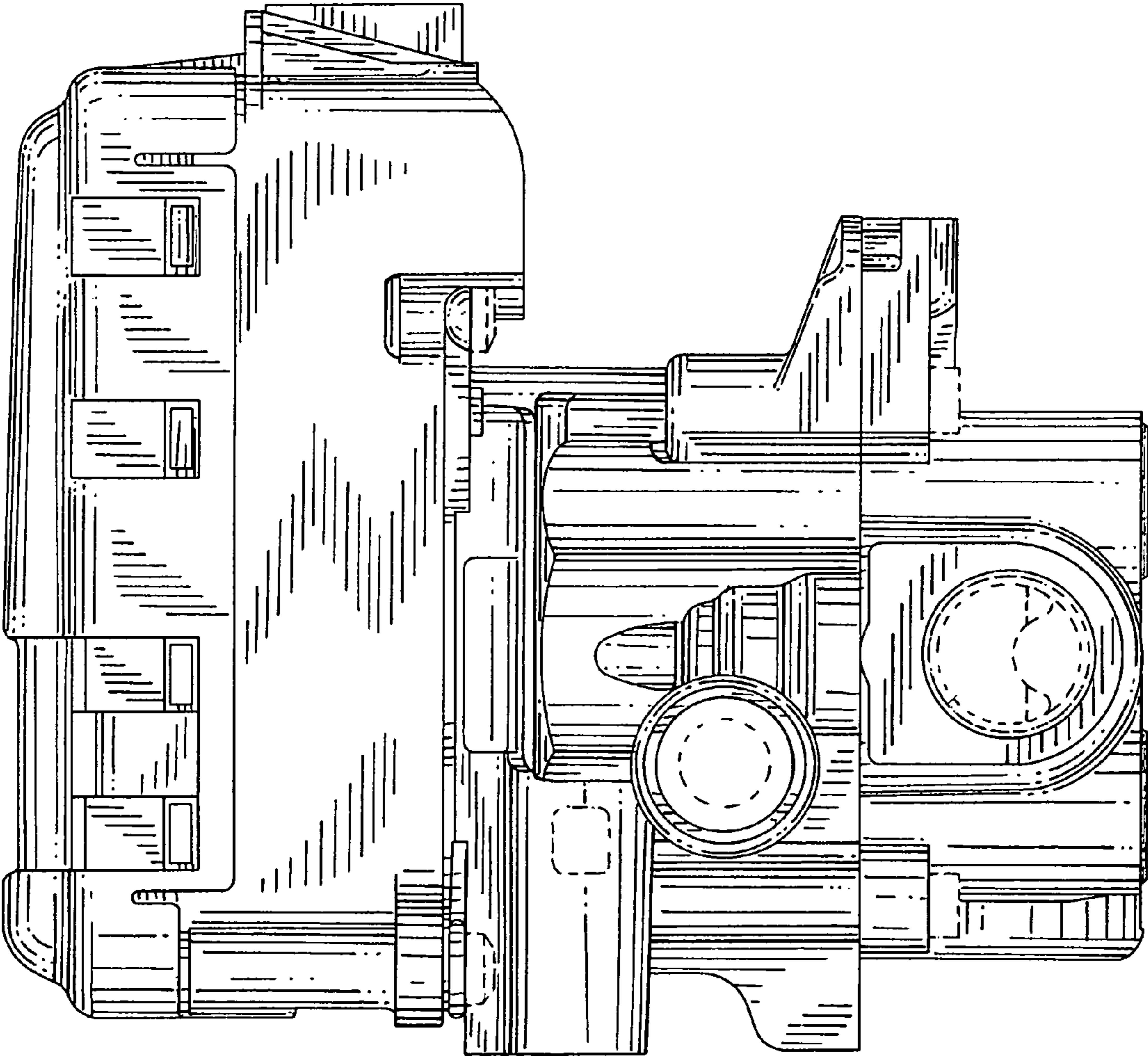


FIG. 4

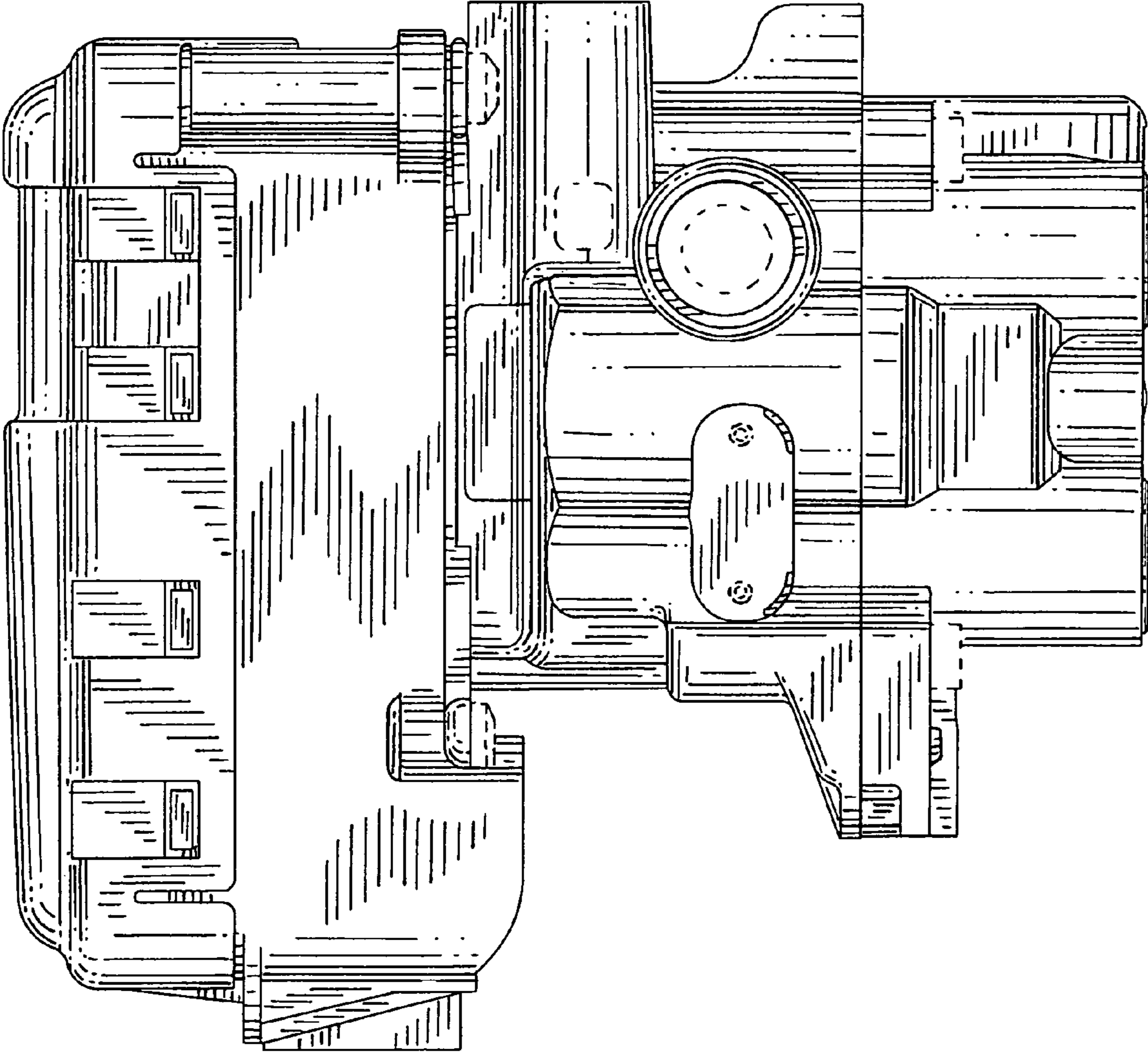


FIG. 5

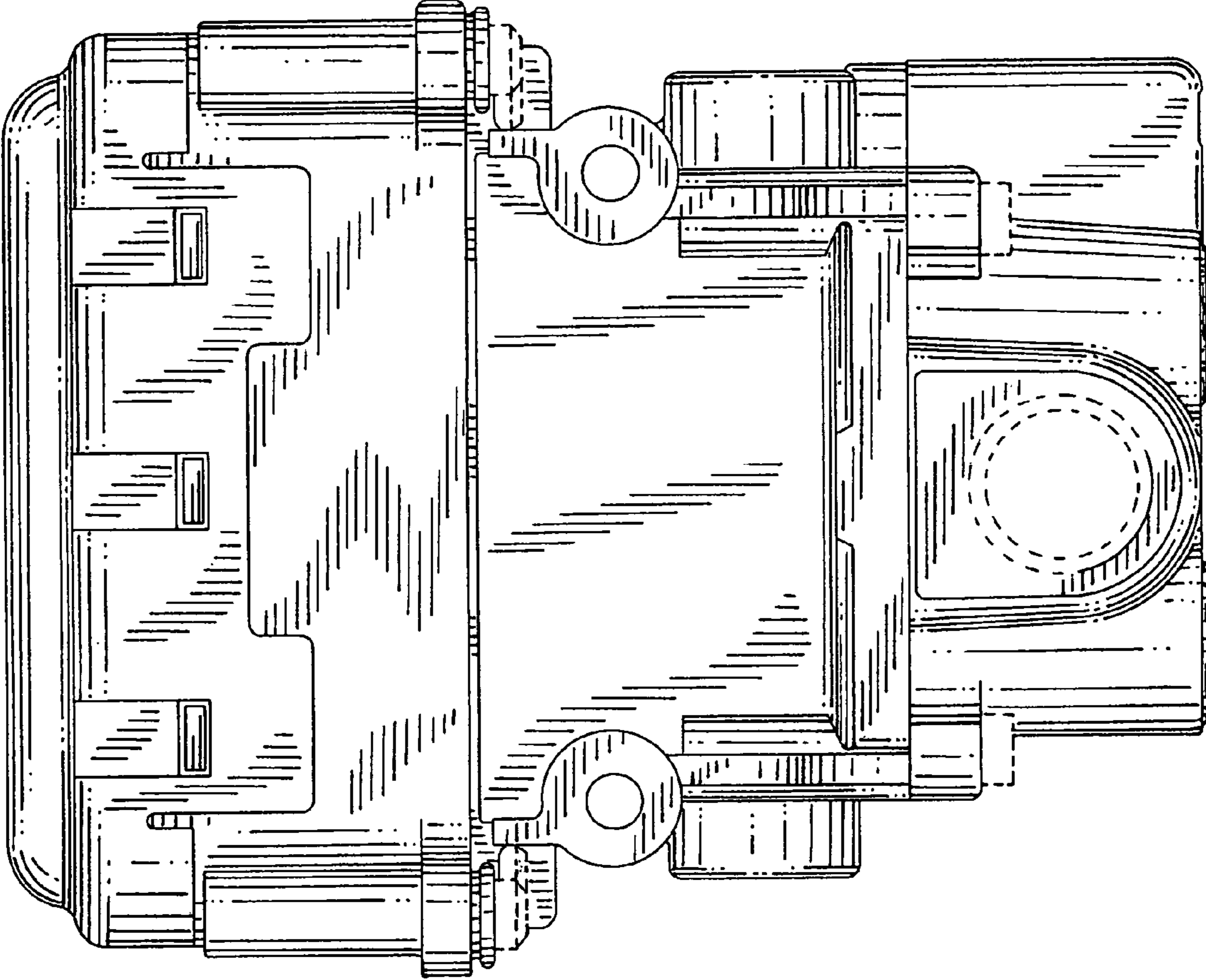


FIG. 6

FIG. 7

