



US00D693832S

(12) **United States Design Patent**
Edwards et al.

(10) **Patent No.:** **US D693,832 S**

(45) **Date of Patent:** **** Nov. 19, 2013**

(54) **DISPLAY SCREEN WITH ANIMATED GRAPHICAL USER INTERFACE**

(75) Inventors: **Christopher D. Edwards**, Seattle, WA (US); **Jason F. Morrill**, Seattle, WA (US); **Mark E. Pearson**, Renton, WA (US)

(73) Assignee: **Microsoft Corporation**, Redmond, WA (US)

(**) Term: **14 Years**

(21) Appl. No.: **29/424,921**

(22) Filed: **Jun. 18, 2012**

(51) **LOC (9) Cl.** **14-04**

(52) **U.S. Cl.**
USPC **D14/485**

(58) **Field of Classification Search**
USPC D14/485–495; 715/700–867
See application file for complete search history.

(56) **References Cited**

U.S. PATENT DOCUMENTS

D392,267	S	*	3/1998	Mason et al.	D14/491
D395,291	S	*	6/1998	Mason et al.	D14/490
5,892,507	A	*	4/1999	Moorby et al.	715/205
6,002,399	A	*	12/1999	Haine et al.	715/763
D482,040	S	*	11/2003	Itai et al.	D14/489
7,155,676	B2	*	12/2006	Land et al.	715/731
7,298,370	B1	*	11/2007	Middler et al.	345/421
D580,448	S	*	11/2008	Jasinski	D14/486
D591,305	S	*	4/2009	Shimoda	D14/485
D591,762	S	*	5/2009	Scalisi et al.	D14/485
D592,223	S	*	5/2009	Neuhaus	D14/491
D593,107	S	*	5/2009	Shimoda et al.	D14/485
D605,657	S	*	12/2009	Danton	D14/487
D607,010	S	*	12/2009	Kocmick	D14/491
D615,546	S	*	5/2010	Lundy et al.	D14/485

D651,611	S	*	1/2012	Ouilhet et al.	D14/489
D656,949	S	*	4/2012	Weir et al.	D14/488
D656,950	S	*	4/2012	Shallcross et al.	D14/488
D656,951	S	*	4/2012	Weir et al.	D14/488
D656,952	S	*	4/2012	Weir et al.	D14/488
D663,743	S	*	7/2012	Tanghe et al.	D14/489
D665,410	S	*	8/2012	Gupta et al.	D14/488
8,238,666	B2	*	8/2012	Besley et al.	382/203
8,253,747	B2	*	8/2012	Niles et al.	345/474
D667,432	S	*	9/2012	Phelan	D14/491
D667,842	S	*	9/2012	Ouilhet	D14/489
D681,656	S	*	5/2013	Lawrence et al.	D14/486
D682,301	S	*	5/2013	DiJulio et al.	D14/487
D687,058	S	*	7/2013	Corcoran et al.	D14/488
2006/0263098	A1	*	11/2006	Akiyama et al.	398/188

* cited by examiner

Primary Examiner — Deanna L Pratt

(74) *Attorney, Agent, or Firm* — Baner & Witcoff, Ltd.

(57) **CLAIM**

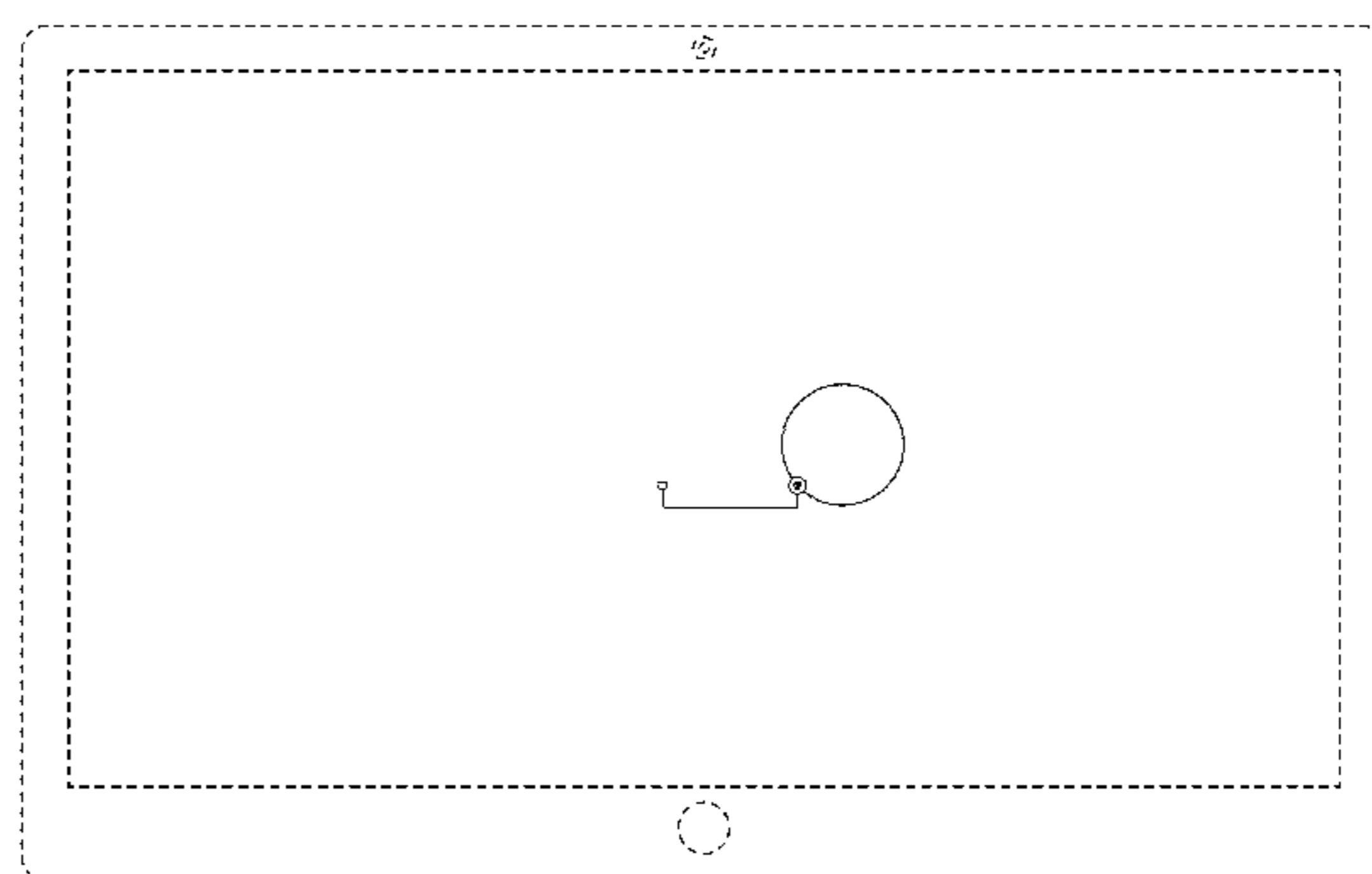
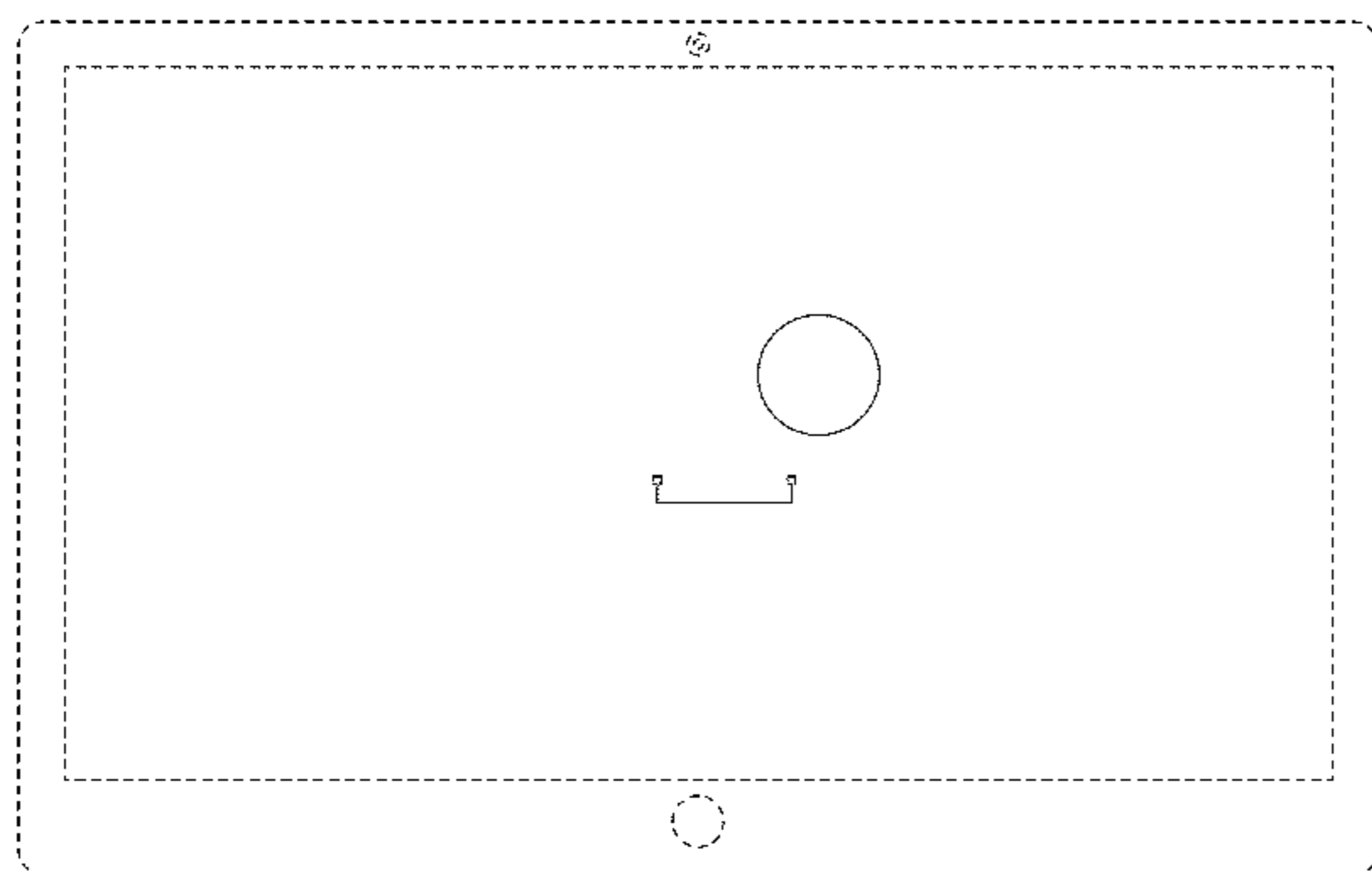
The ornamental design for a display screen with animated graphical user interface, as shown and described.

DESCRIPTION

FIG. 1 is the first image in a sequence for a display screen with animated graphical user interface showing our new design; FIG. 2 is the second image thereof; FIG. 3 is the third image thereof; FIG. 4 is the fourth image thereof; and, FIG. 5 is the fifth image thereof.

The appearance of the animated user interface sequentially transitions between the images shown in FIGS. 1-5. The process or period in which one image transitions to another forms no part of the claimed design. The broken line showing of the remainder of the user interface and display screen is for environmental purposes only and forms no part of the claimed design.

1 Claim, 5 Drawing Sheets



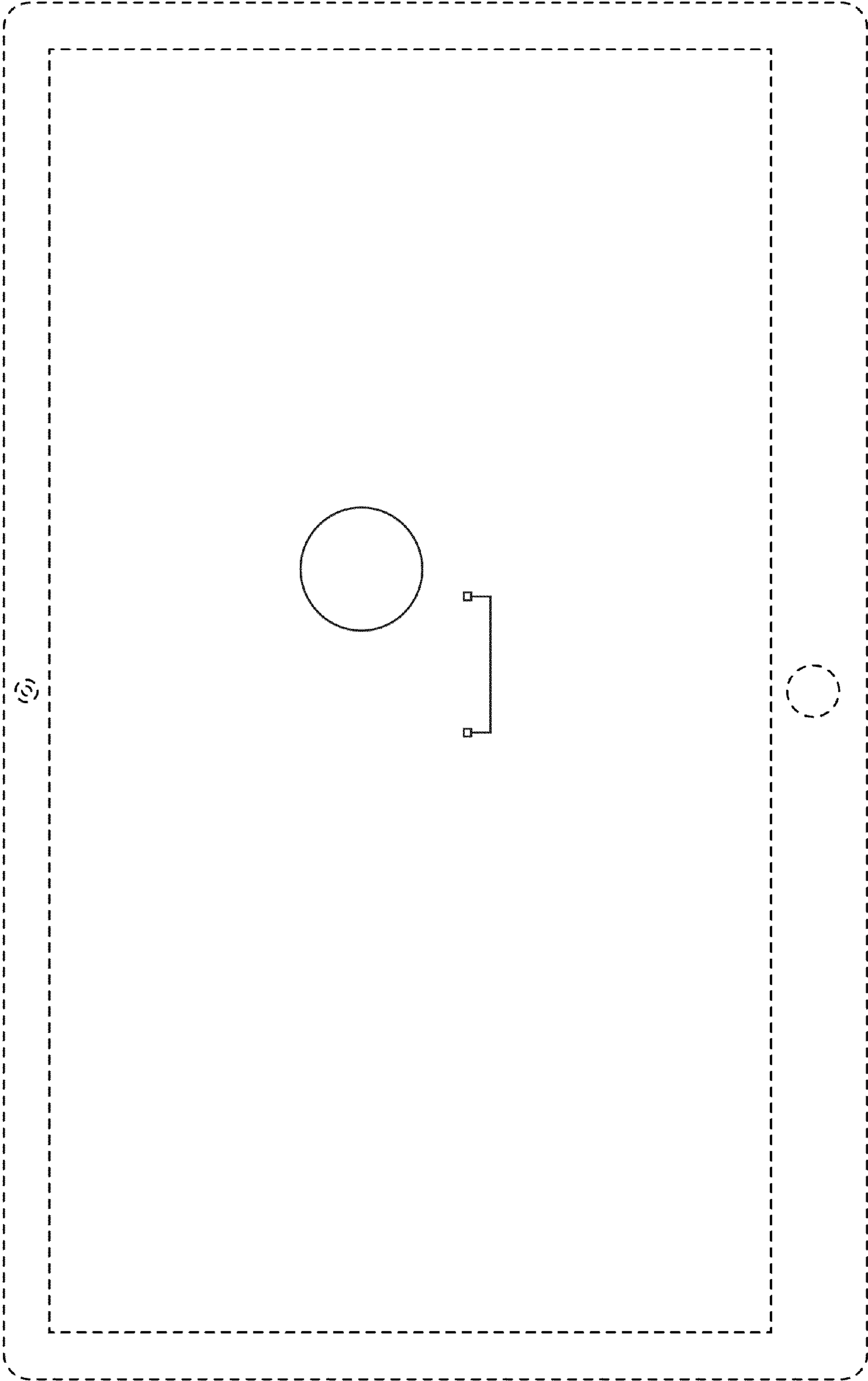


FIG. 1

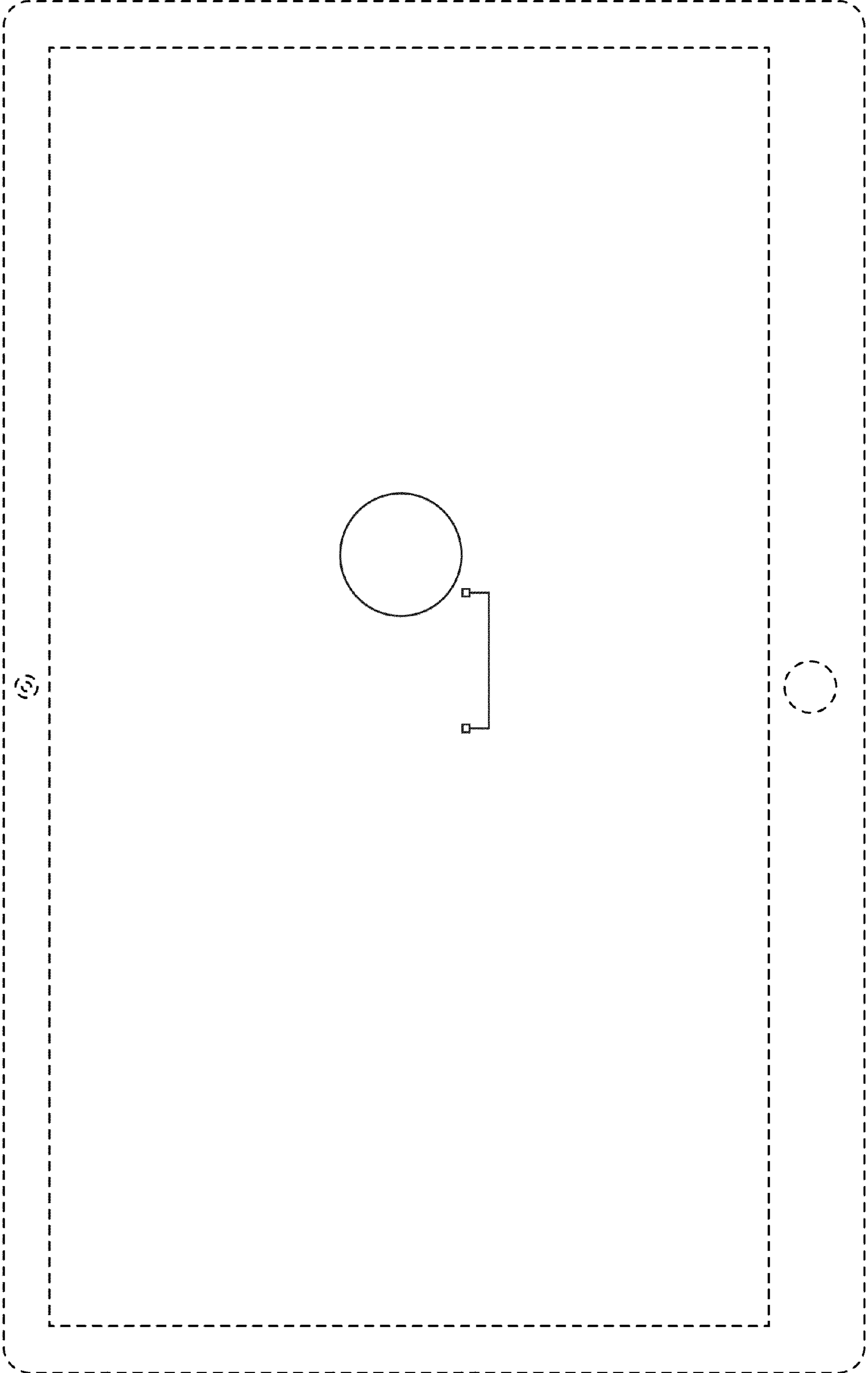


FIG. 2

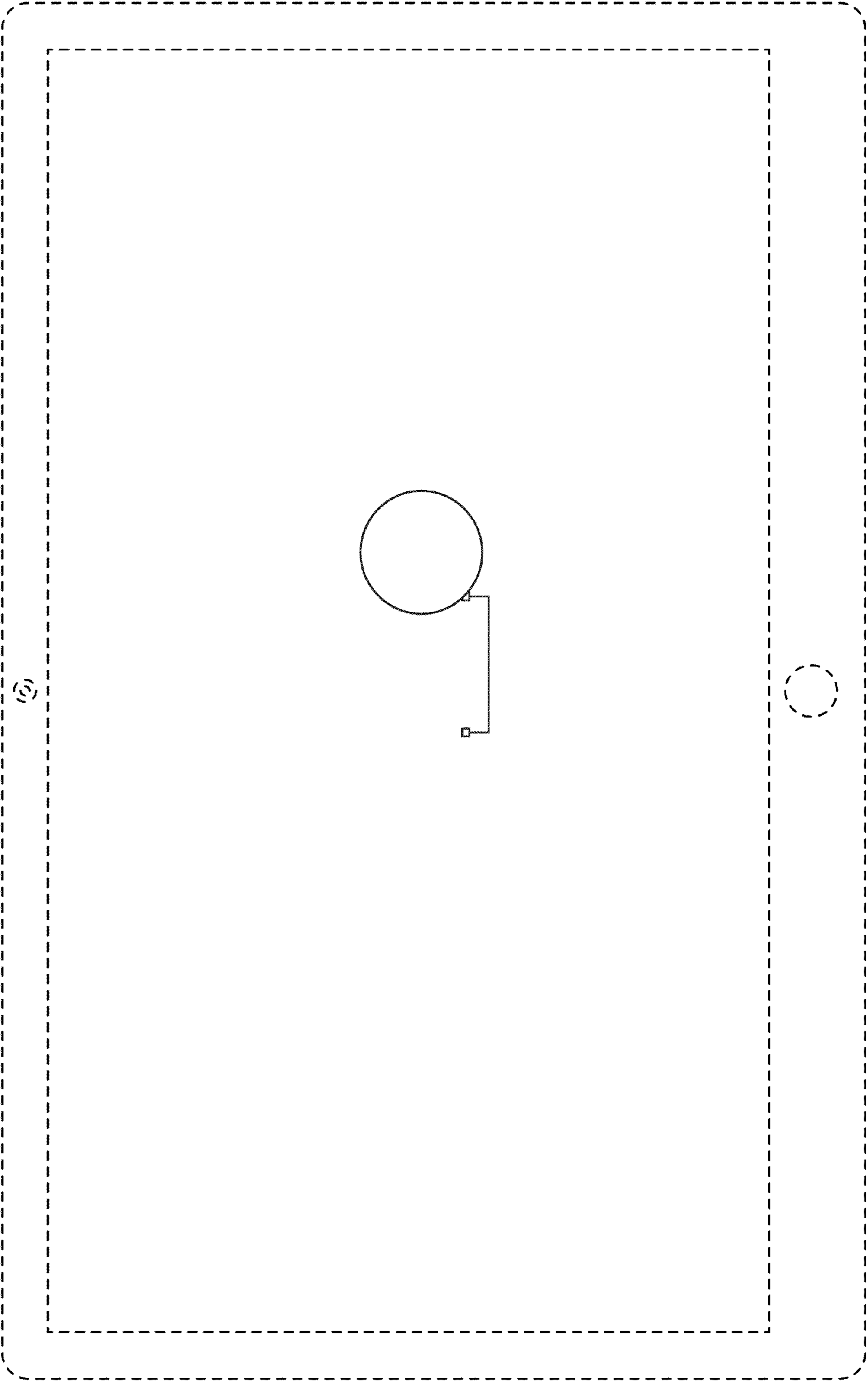


FIG. 3

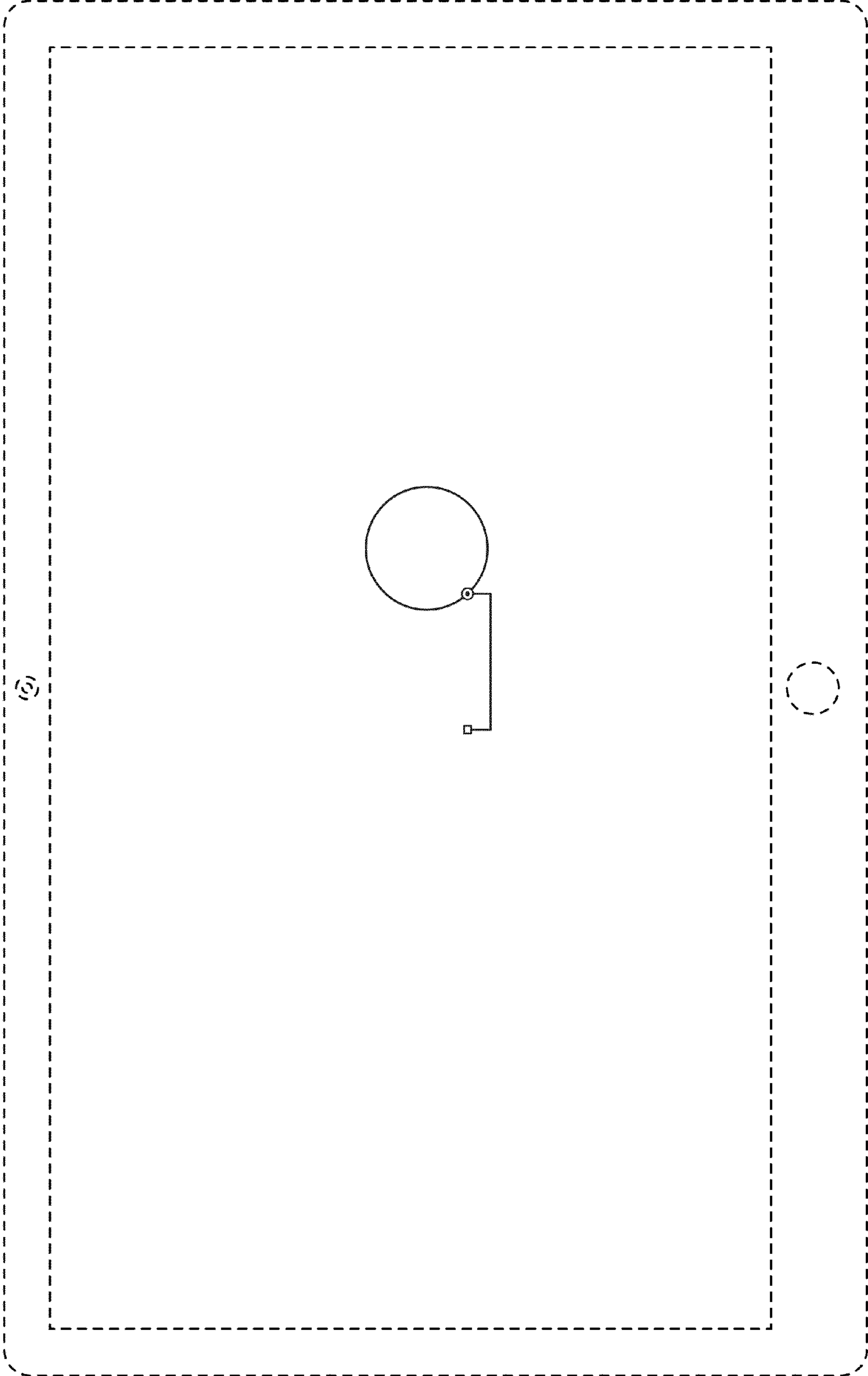


FIG. 4

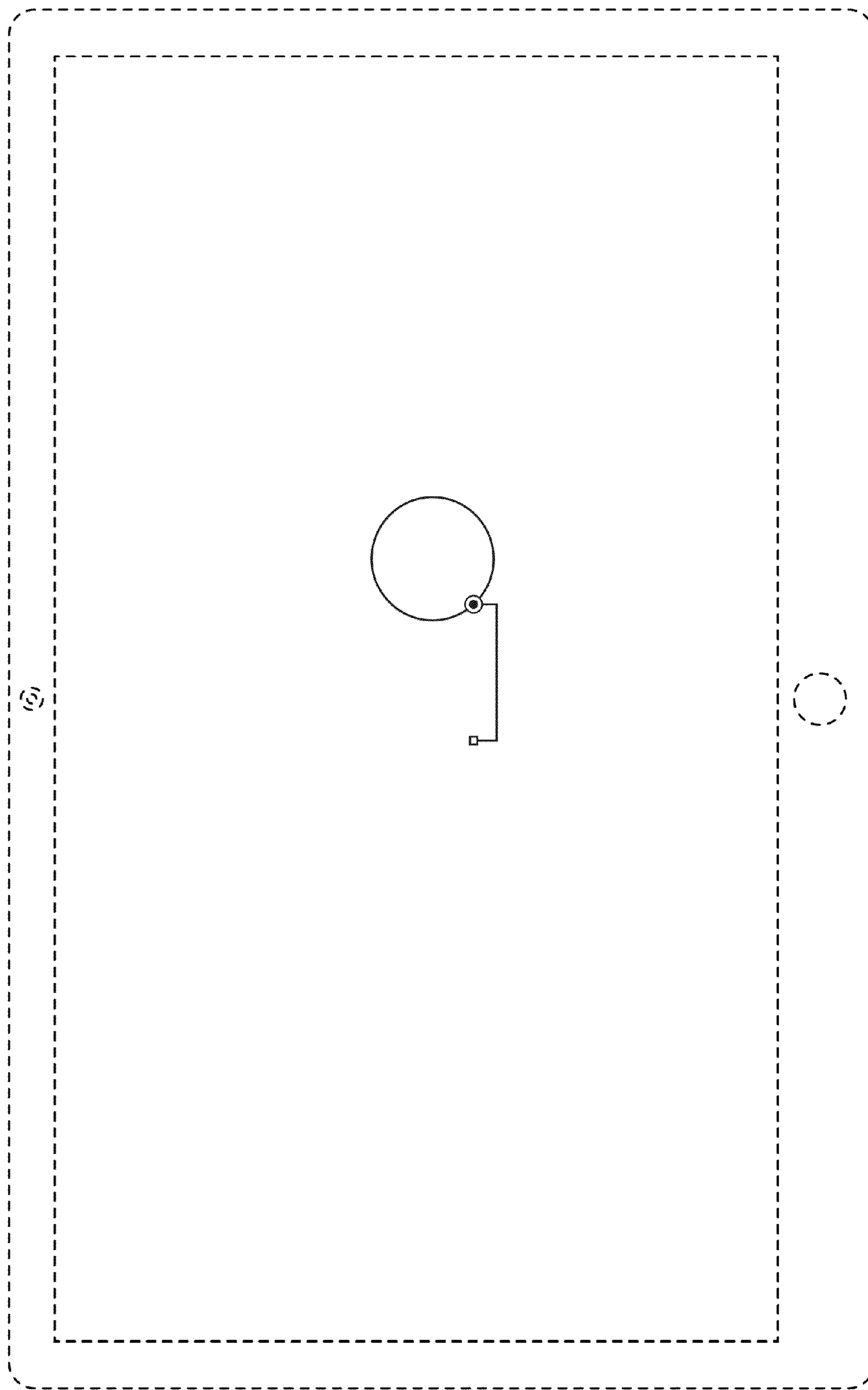


FIG. 5