



US00D693824S

(12) **United States Design Patent**
Erdfarb

(10) **Patent No.:** **US D693,824 S**

(45) **Date of Patent:** **** Nov. 19, 2013**

(54) **FOLDABLE TABLET COMPUTER STAND**

(76) Inventor: **Jeffrey Erdfarb**, Teaneck, NJ (US)

(**) Term: **14 Years**

(21) Appl. No.: **29/407,721**

(22) Filed: **Dec. 1, 2011**

(51) **LOC (9) Cl.** **08-07**

(52) **U.S. Cl.**
USPC **D14/447**

(58) **Field of Classification Search**
USPC D14/432, 433, 434, 439, 440, 451, 452,
D14/239, 217, 224.1, 251, 252, 253, 457,
D14/458, 459, 460, 461; D6/406.1, 406.2,
D6/406.3, 406.4, 406.5, 406.6;
361/679.06, 679.21, 679.22, 679.24,
361/679.26, 679.27, 679.28, 679.3, 679.55,
361/679.56, 709; 248/917-924, 133, 136,
248/139, 150, 176.1, 188.6; D13/108, 110
See application file for complete search history.

(56) **References Cited**

U.S. PATENT DOCUMENTS

D513,008 S *	12/2005	Takizawa et al.	D14/447
D573,598 S *	7/2008	Chu	D14/447
7,770,864 B2 *	8/2010	Phifer et al.	248/455
D626,964 S *	11/2010	Richardson et al.	D14/447
7,828,260 B2 *	11/2010	Hauser et al.	248/456
D644,230 S *	8/2011	Lin	D14/447
D651,213 S *	12/2011	Magness et al.	D14/447

D665,812 S *	8/2012	Huang et al.	D14/447
D667,012 S *	9/2012	Chen et al.	D14/447
D670,703 S *	11/2012	Hasbrook et al.	D14/447
D673,961 S *	1/2013	Matsui et al.	D14/447
D676,853 S *	2/2013	Gengler	D14/447
2012/0138766 A1 *	6/2012	Chen	248/456

* cited by examiner

Primary Examiner — Angela J Lee

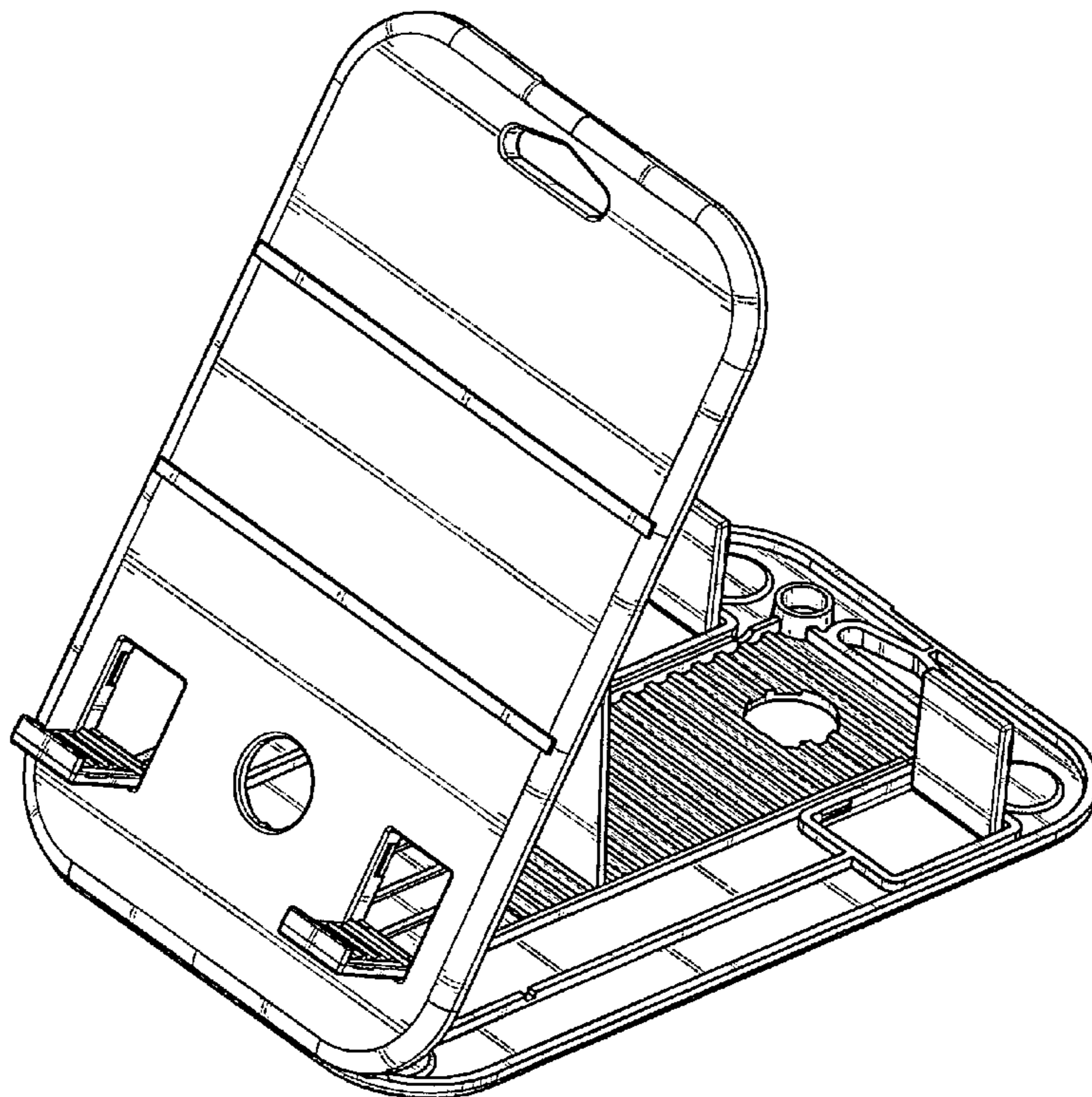
(57) **CLAIM**

The ornamental design for a foldable tablet computer stand, as shown and described.

DESCRIPTION

FIG. 1 is a perspective view of the foldable tablet computer stand showing my new design;
 FIG. 2 is a front elevation thereof;
 FIG. 3 is a rear elevation thereof; but, with the stand in folded position.
 FIG. 4 is a left elevation folded view thereof;
 FIG. 5 is a right elevation folded view thereof;
 FIG. 6 is a bottom plan folded view thereof;
 FIG. 7 is a top plan folded view thereof;
 FIG. 8 is a perspective view of the tablet stand in a folded state;
 FIG. 9 is a perspective view of the tablet stand in an opened state; and,
 FIG. 10 is a perspective view of the stand in an alternate in use position.

1 Claim, 9 Drawing Sheets



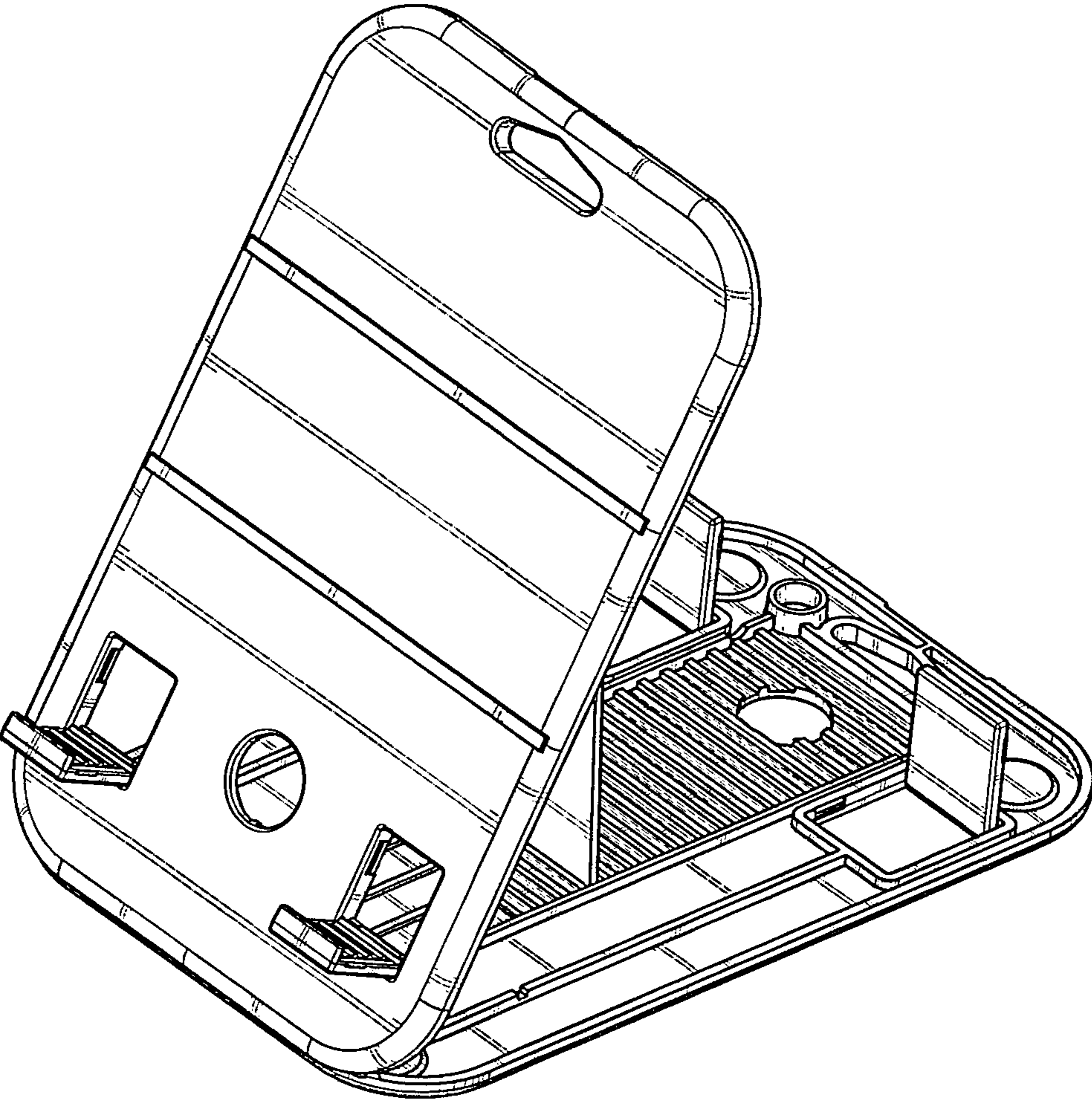


FIG. 1

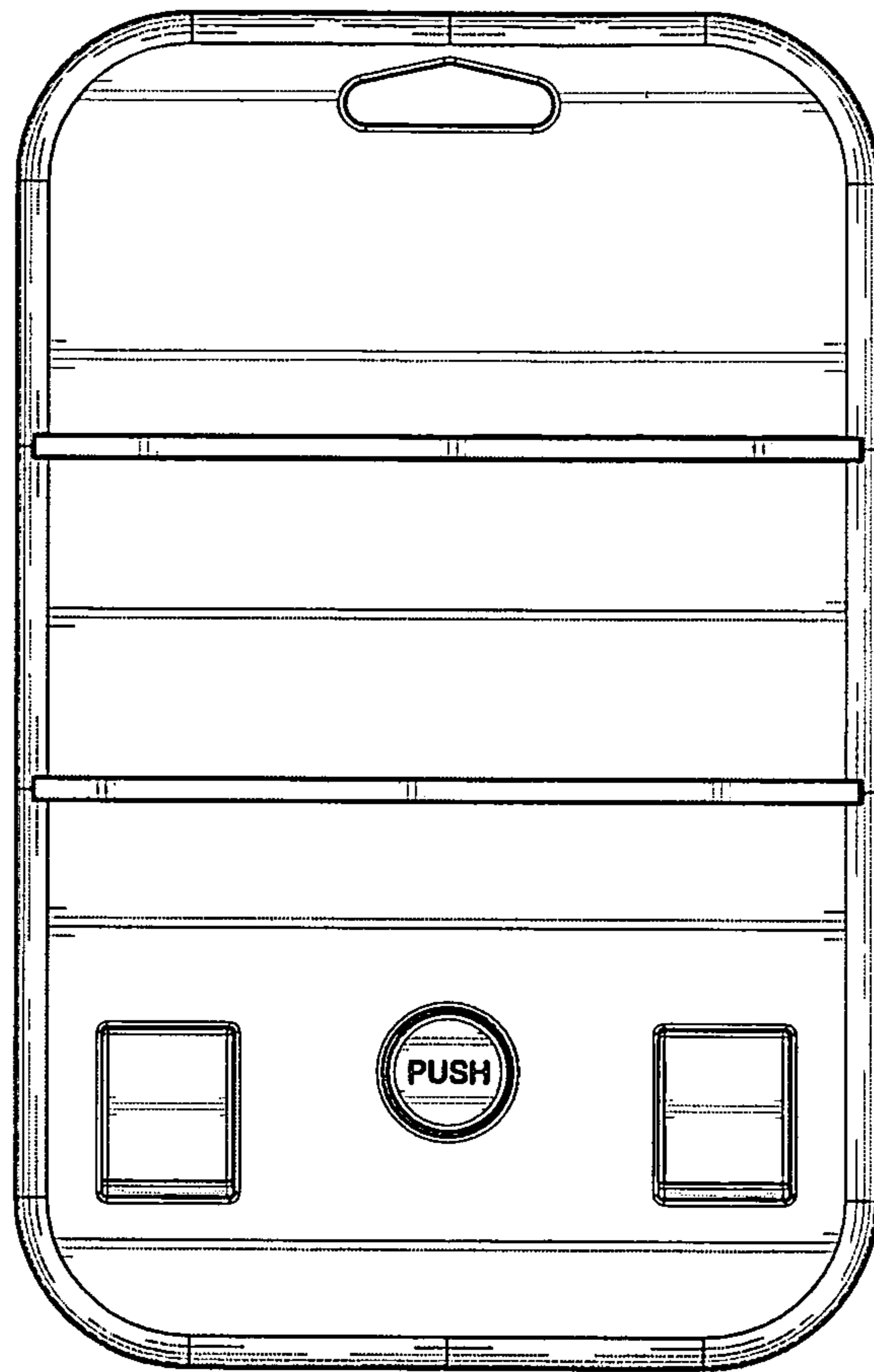


FIG. 2

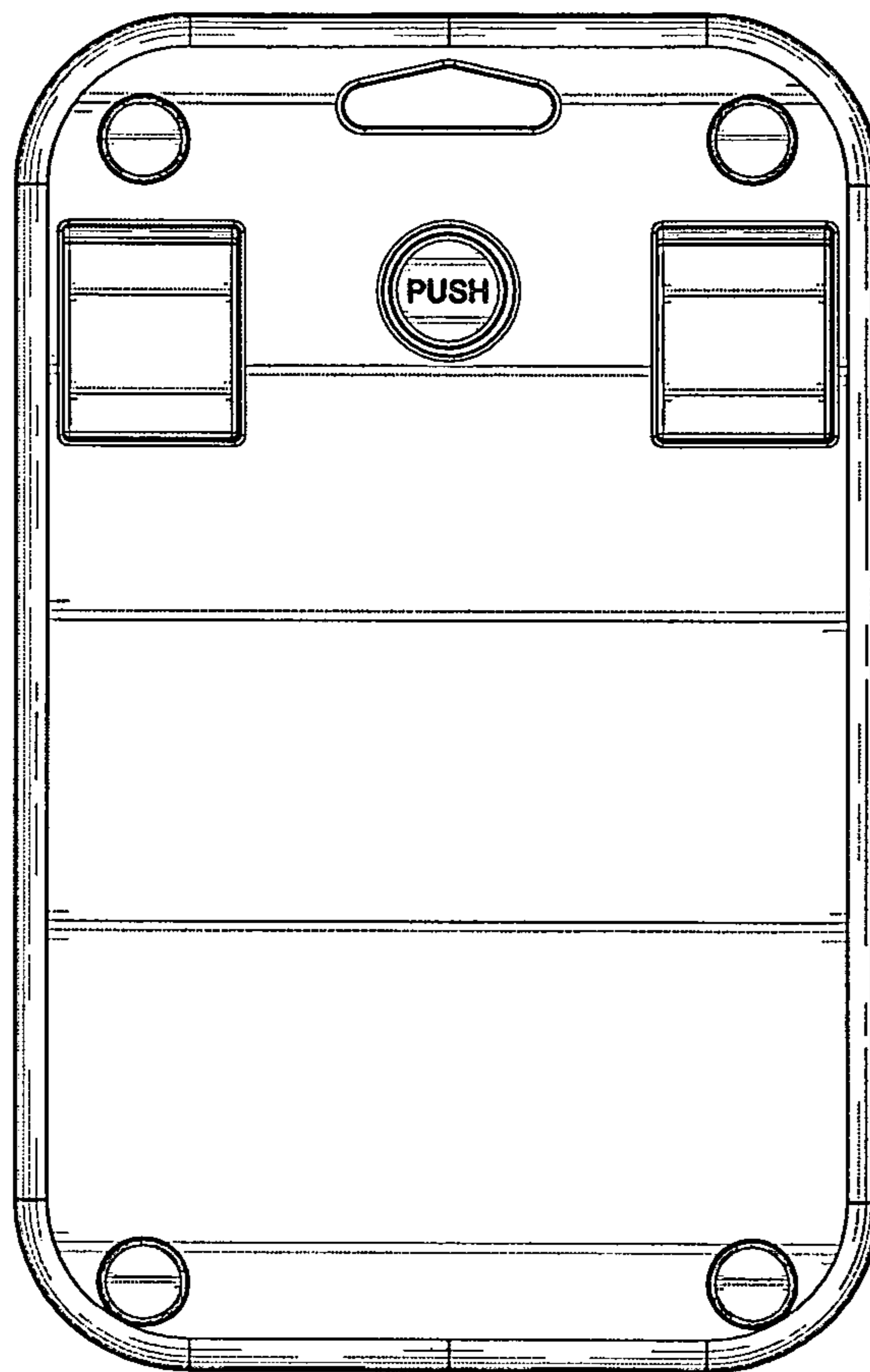


FIG. 3



FIG. 4



FIG. 5



FIG. 6



FIG. 7

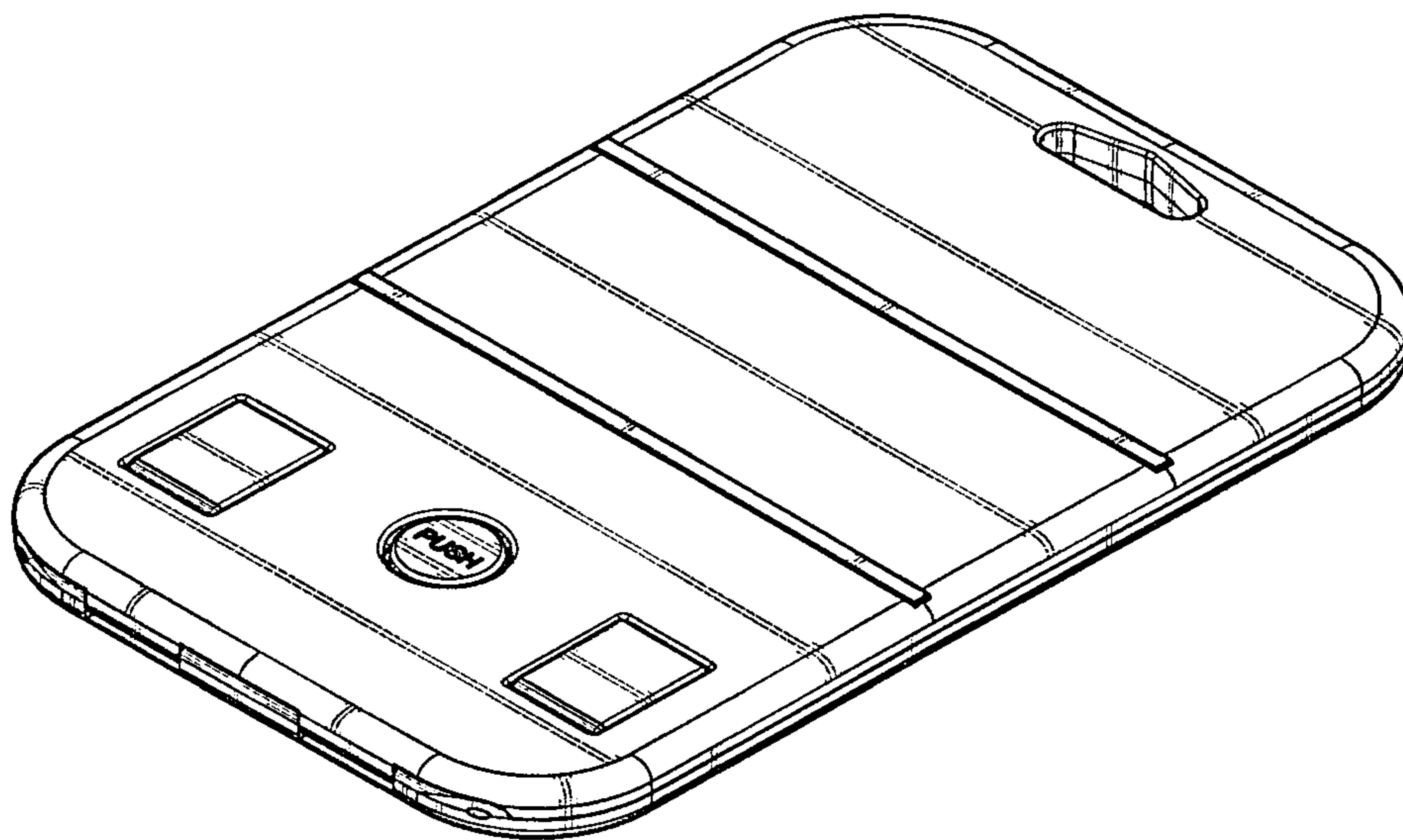


FIG. 8

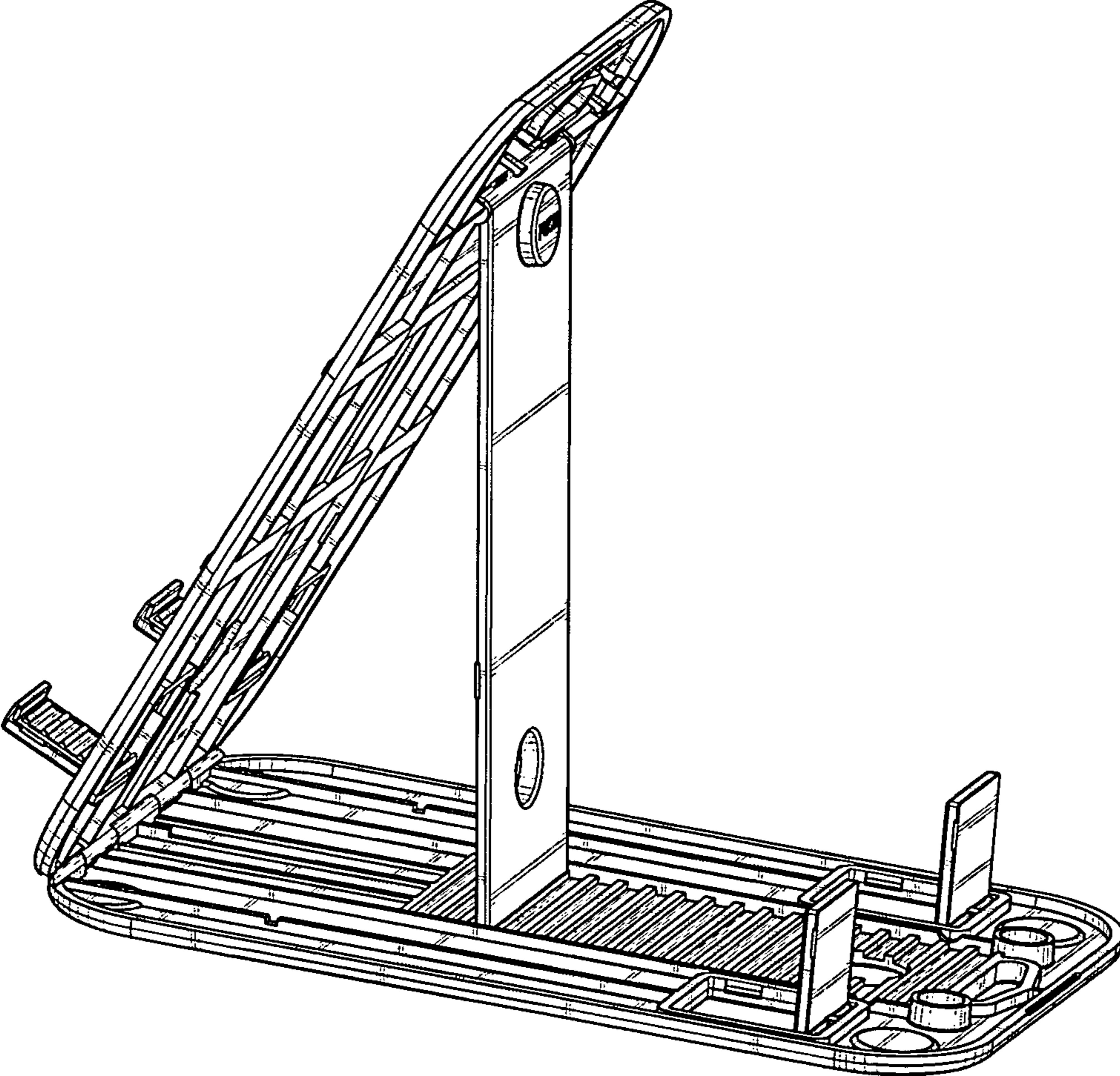


FIG. 9

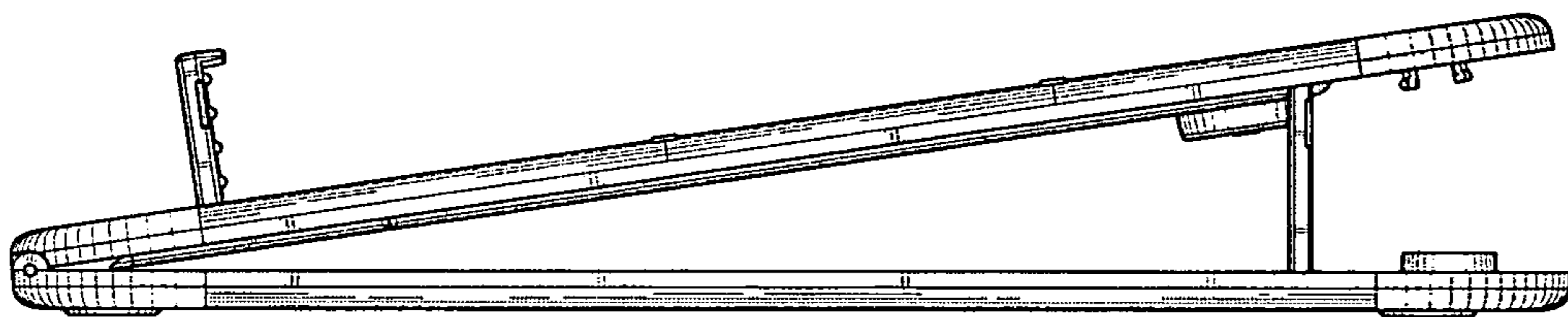


FIG. 10