



US00D693823S

(12) **United States Design Patent**  
**Chen et al.**

(10) **Patent No.:** **US D693,823 S**

(45) **Date of Patent:** **\*\* Nov. 19, 2013**

(54) **PROTECTIVE COVER**

(71) Applicant: **Acer Incorporated**, New Taipei (TW)

(72) Inventors: **Ya-Lin Chen**, New Taipei (TW);  
**Hao-Sheng Lo**, New Taipei (TW)

(73) Assignee: **Acer Incorporated**, New Taipei (TW)

(\*\*) Term: **14 Years**

(21) Appl. No.: **29/447,689**

(22) Filed: **Mar. 6, 2013**

(30) **Foreign Application Priority Data**

Oct. 22, 2012 (TW) ..... 101306161

(51) **LOC (9) Cl.** ..... **14-02**

(52) **U.S. Cl.**  
USPC ..... **D14/440**

(58) **Field of Classification Search**

USPC ..... D14/250, 251, 253, 240, 217, 496, 440,  
D14/203.3, 203.4, 203.5, 203.8, 341, 318;  
D3/218, 215, 201, 294, 289, 900;  
220/4.02; 248/309.1; 361/679.56;  
379/426, 433.11, 455; 455/575.1,  
455/575.8; 190/100; 206/305, 320;  
D21/469

See application file for complete search history.

(56) **References Cited**

**U.S. PATENT DOCUMENTS**

1,370,279 A \* 3/1921 Burzynski ..... 211/43  
2,726,835 A \* 12/1955 Hummel ..... 248/459  
D230,376 S \* 2/1974 Andrew ..... D19/91  
4,318,527 A \* 3/1982 Smith ..... 248/459  
7,318,521 B2 \* 1/2008 Lau ..... 206/45.24  
D581,865 S \* 12/2008 Koza ..... D13/102

D663,304 S \* 7/2012 Akana et al. .... D14/440  
8,230,992 B2 \* 7/2012 Law et al. .... 206/320  
8,235,208 B2 \* 8/2012 Sirichai et al. .... 206/320  
8,245,843 B1 \* 8/2012 Wu ..... 206/320  
D672,781 S \* 12/2012 Lu ..... D14/440  
D673,158 S \* 12/2012 Yang et al. .... D14/440  
D679,279 S \* 4/2013 Yang et al. .... D14/440  
2012/0194448 A1 \* 8/2012 Rothkopf ..... D19/26  
2012/0211613 A1 \* 8/2012 Yang et al. .... 248/174

\* cited by examiner

*Primary Examiner* — Cynthia Underwood

(74) *Attorney, Agent, or Firm* — Jianq Chyun IP Office

(57) **CLAIM**

The ornamental design for a protective cover, as shown and described.

**DESCRIPTION**

FIG. 1 is a perspective view of a protective cover showing our new design;

FIG. 2 is a front view thereof;

FIG. 3 is a rear view thereof;

FIG. 4 is a left side view thereof;

FIG. 5 is a right side view thereof;

FIG. 6 is a top view thereof;

FIG. 7 is a bottom view thereof;

FIG. 8 is a rear perspective view thereof shown in folded state of use;

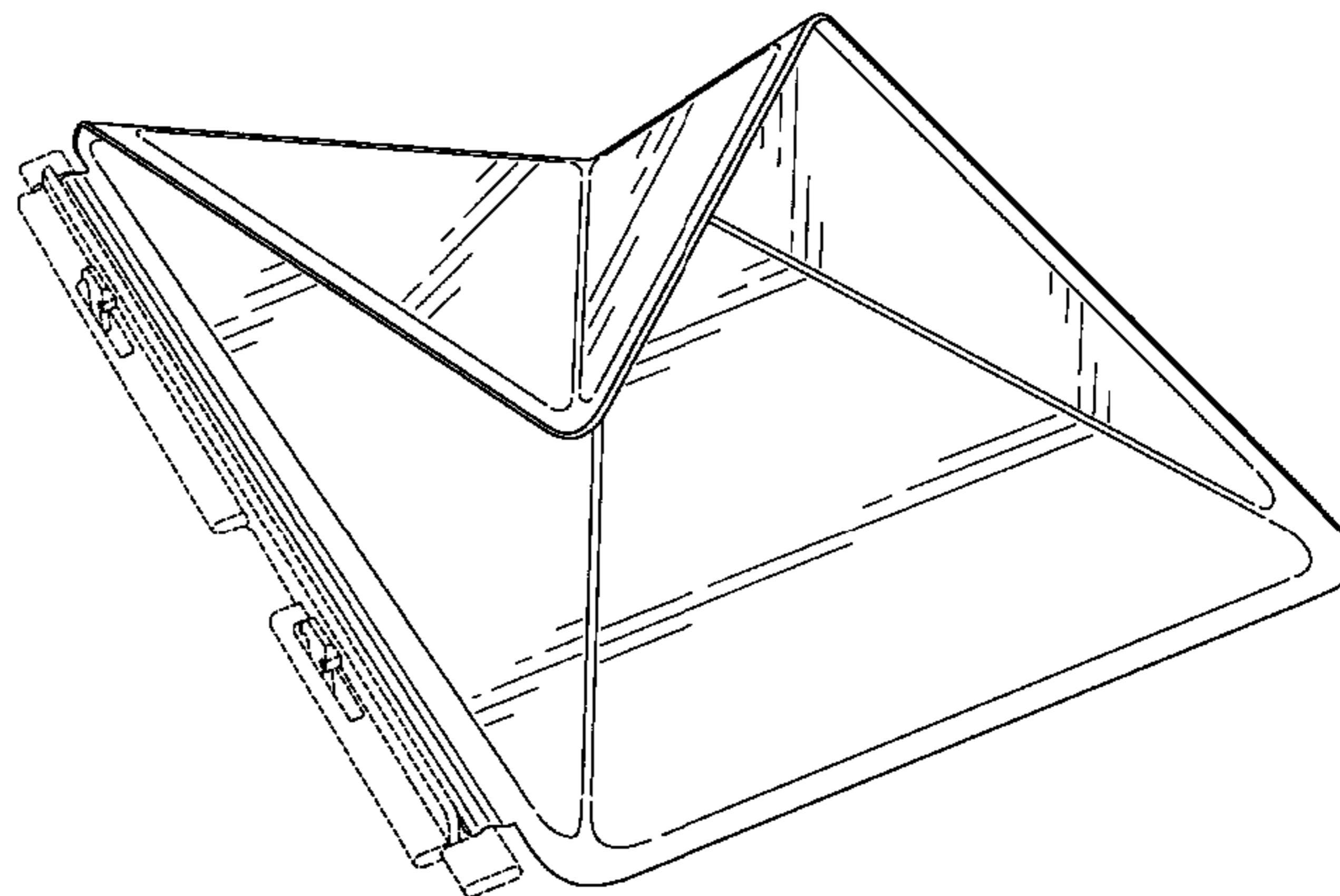
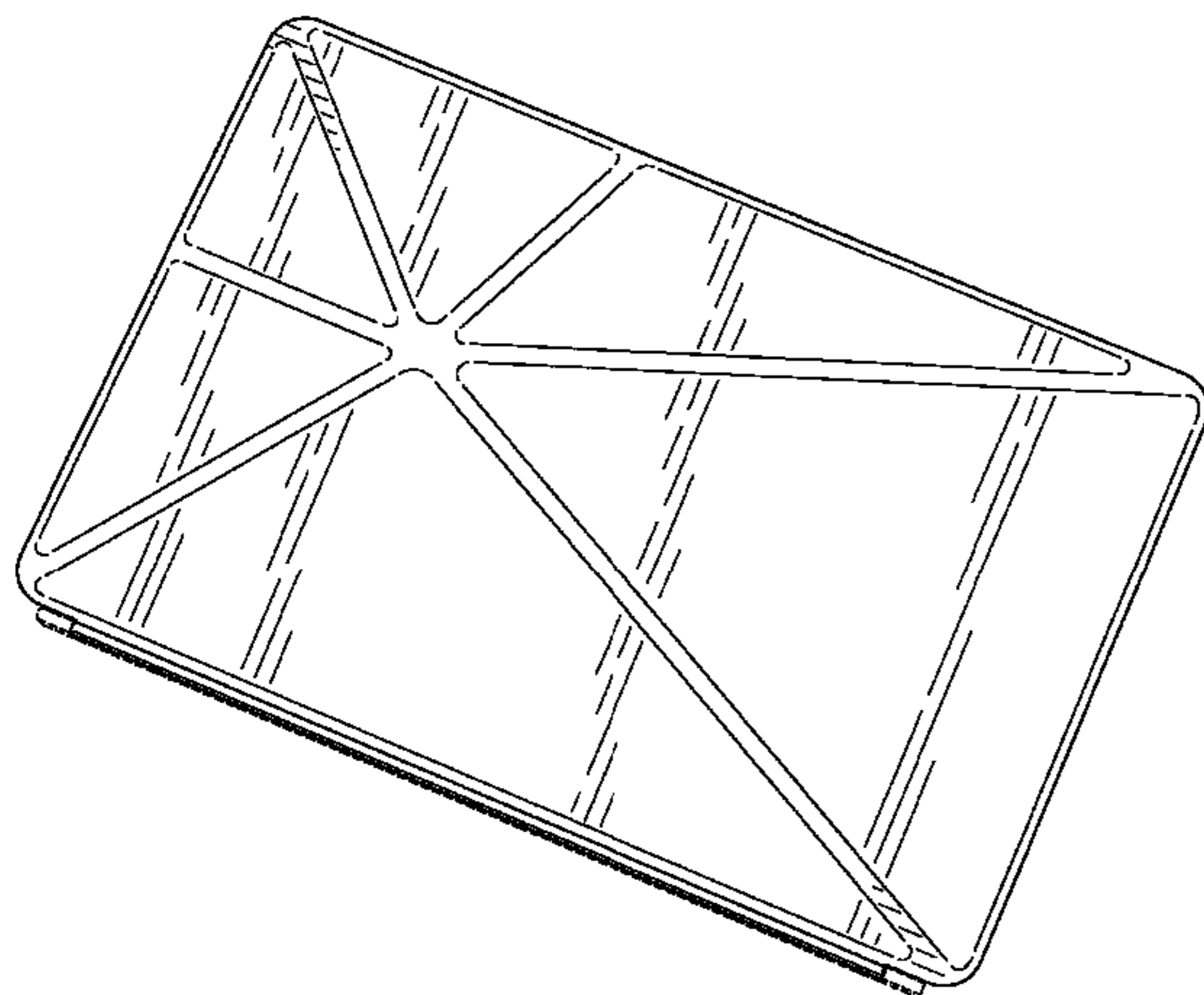
FIG. 9 is another rear perspective view thereof shown in a folded state of use and attached to an electronic apparatus;

FIG. 10 is another rear perspective view thereof shown in folded state of use; and,

FIG. 11 is a left side perspective view thereof shown in a folded state of use and attached to an electronic apparatus.

The broken line portions of the protective cover in all views represent unclaimed portions of the claimed design and form no part thereof.

**1 Claim, 9 Drawing Sheets**



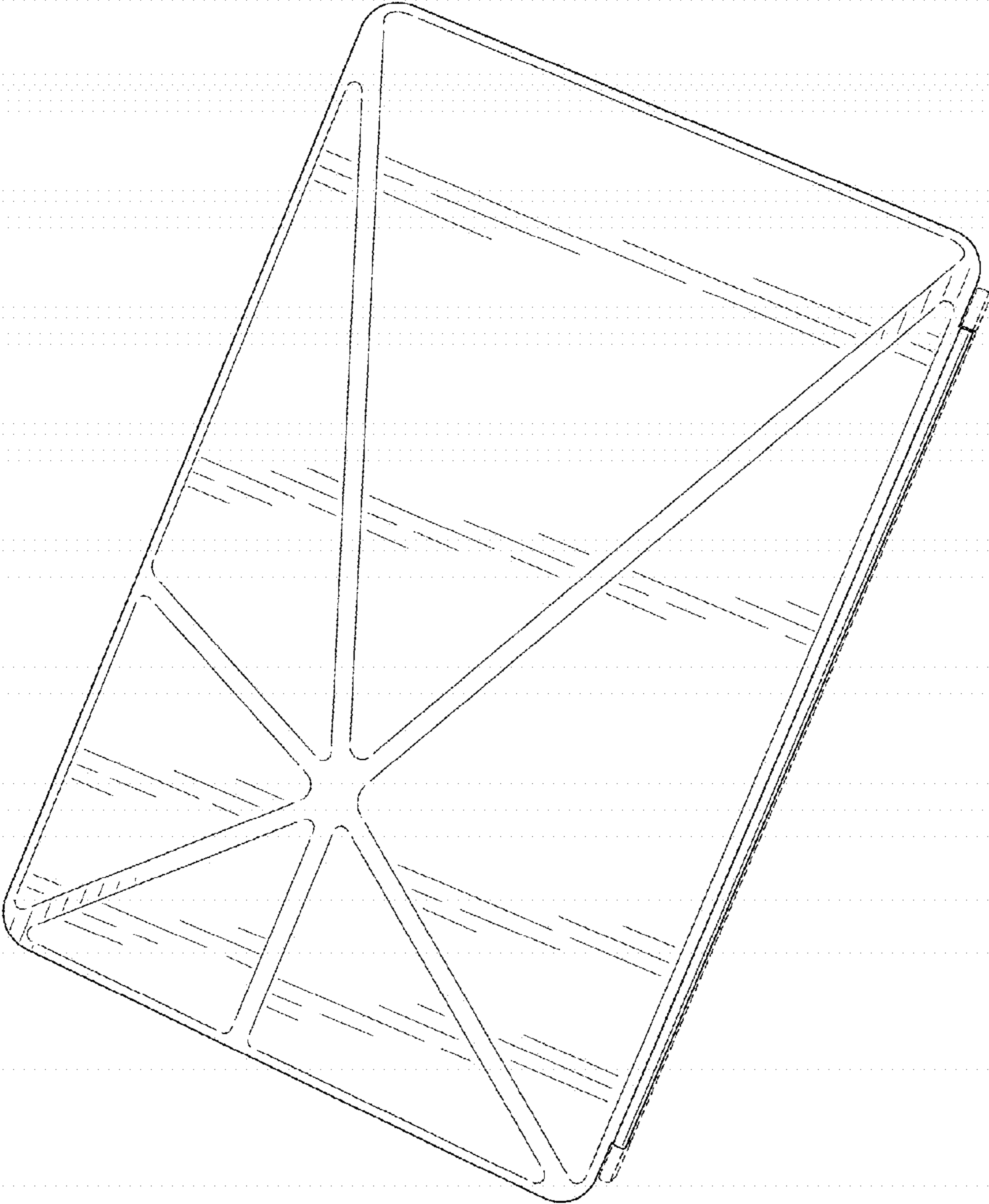


FIG. 1

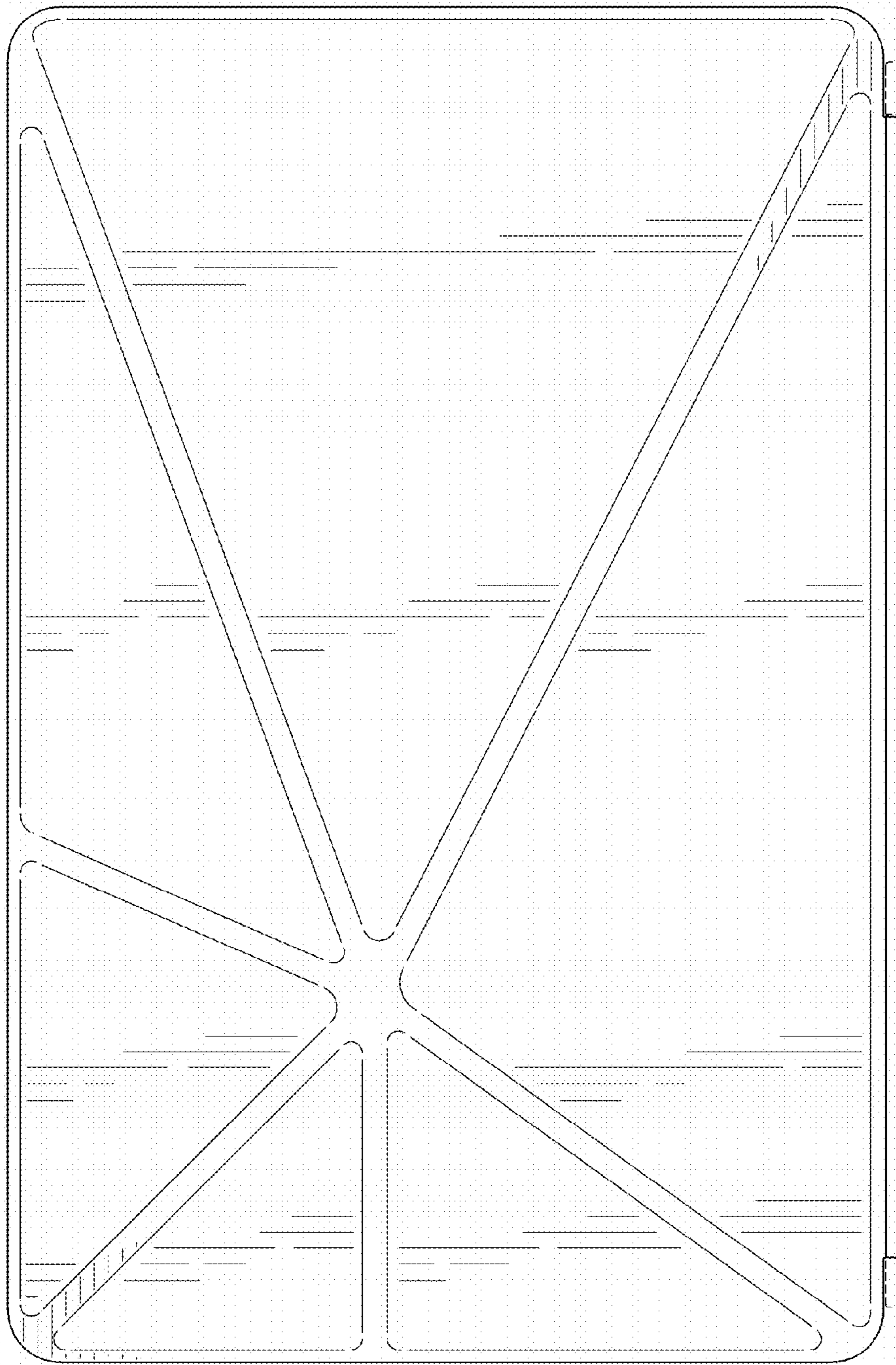


FIG. 2



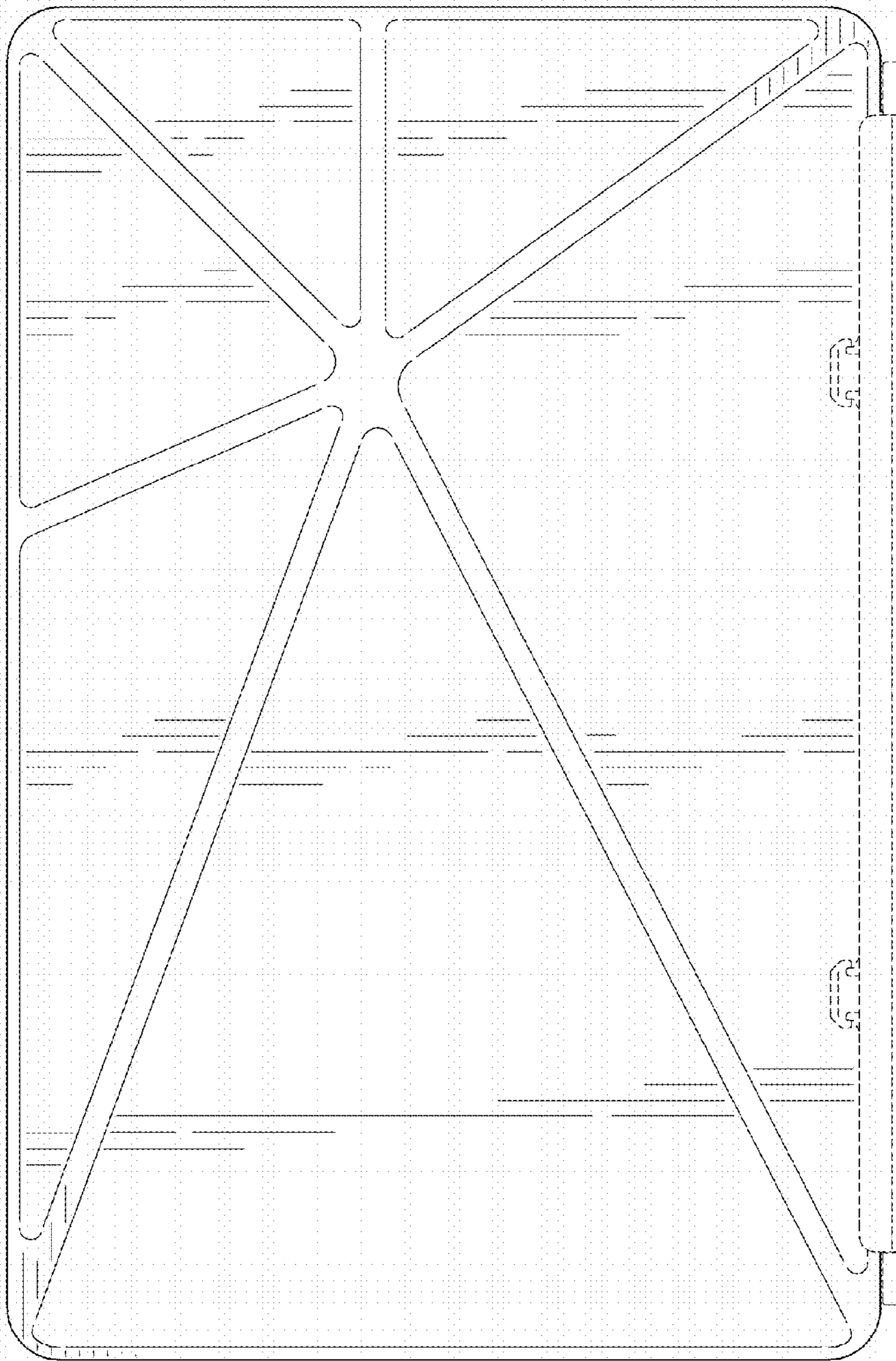


FIG. 3

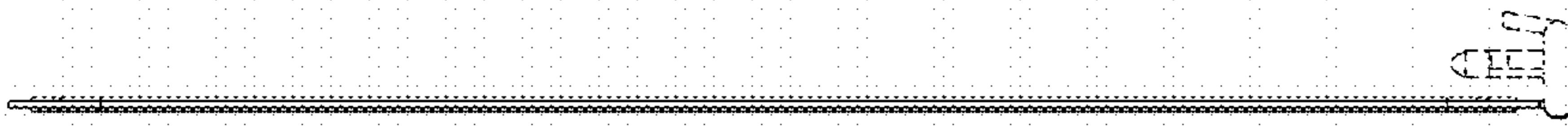


FIG. 4

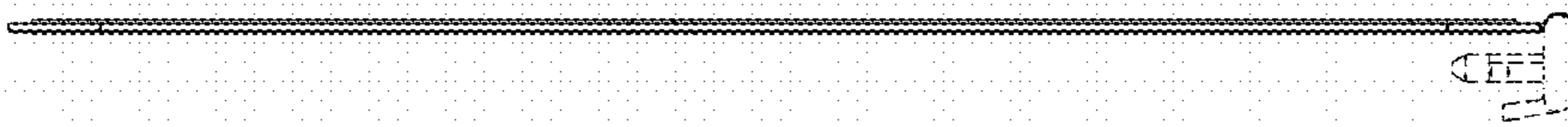


FIG. 5

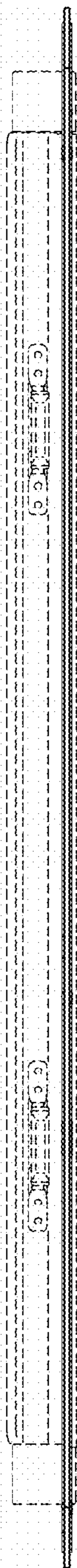


FIG. 6

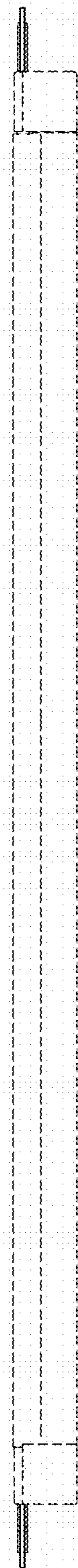


FIG. 7

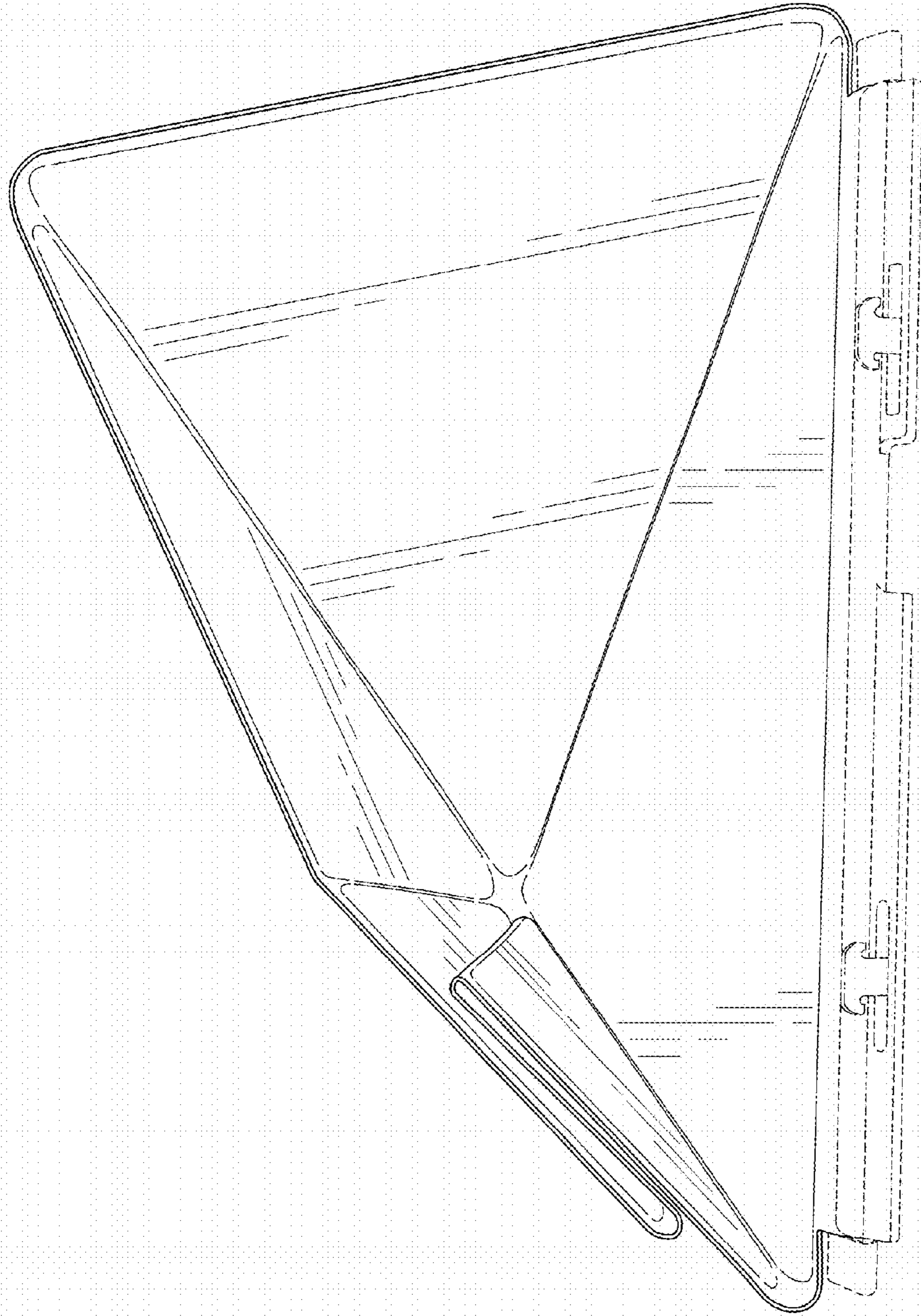


FIG. 8



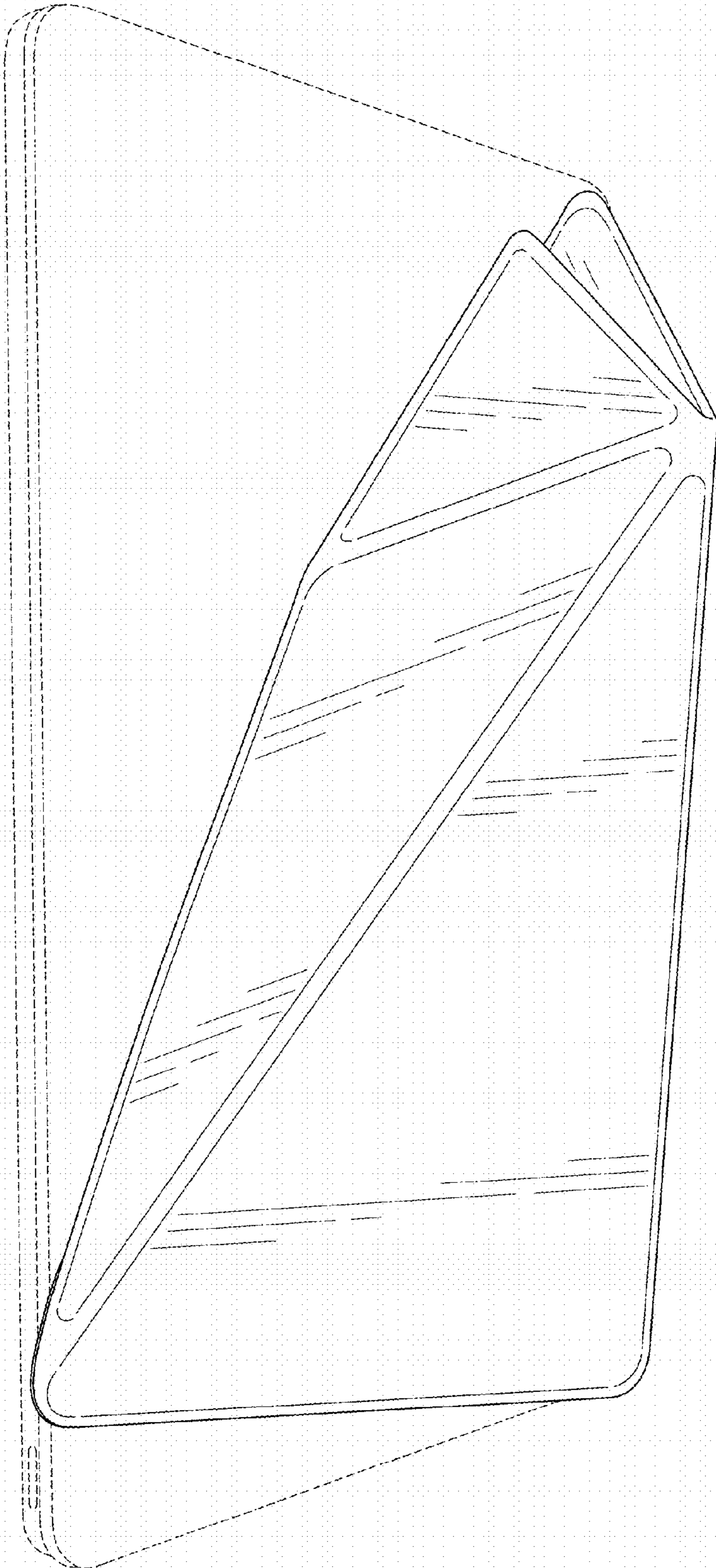


FIG. 9



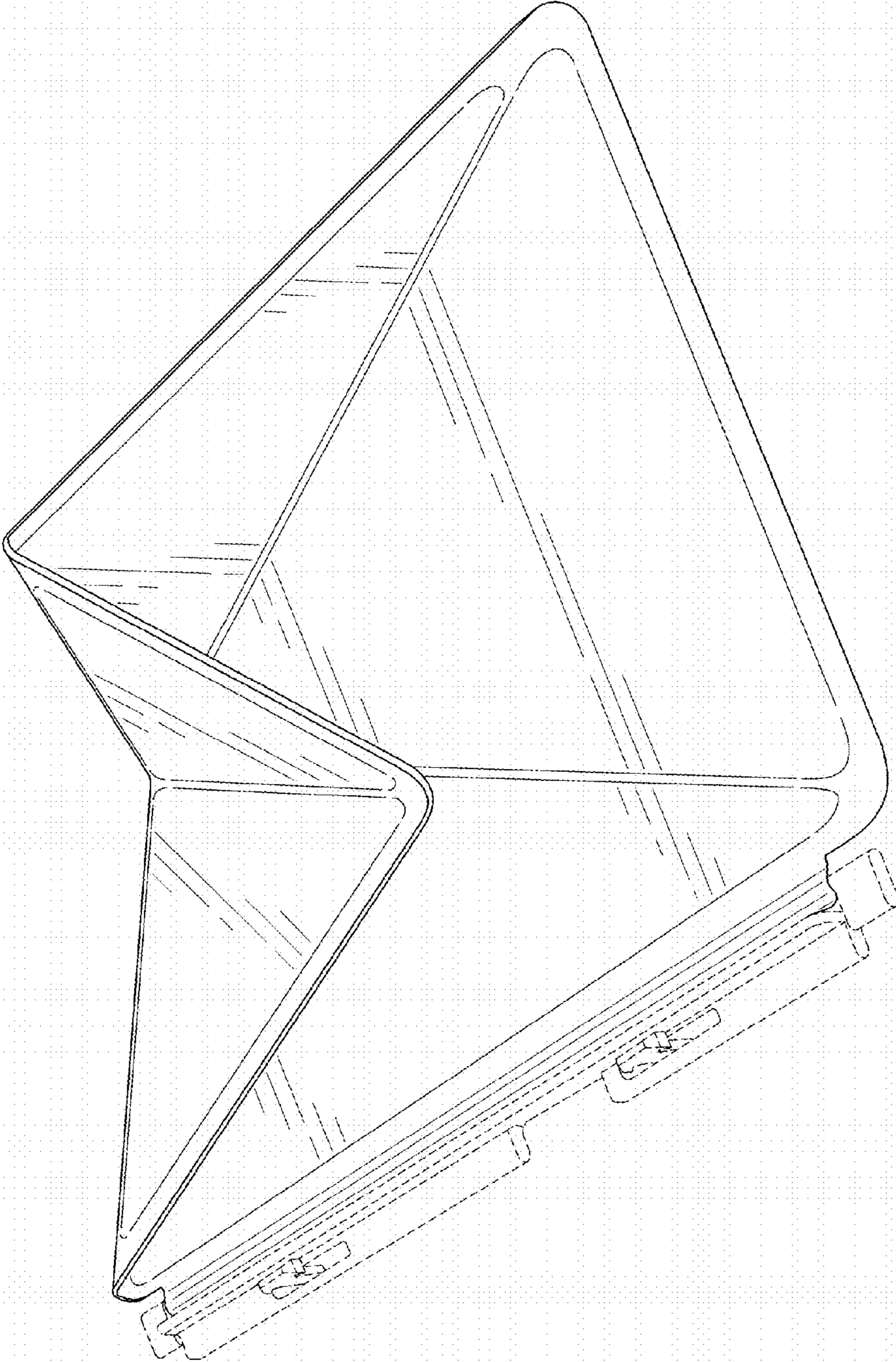


FIG. 10

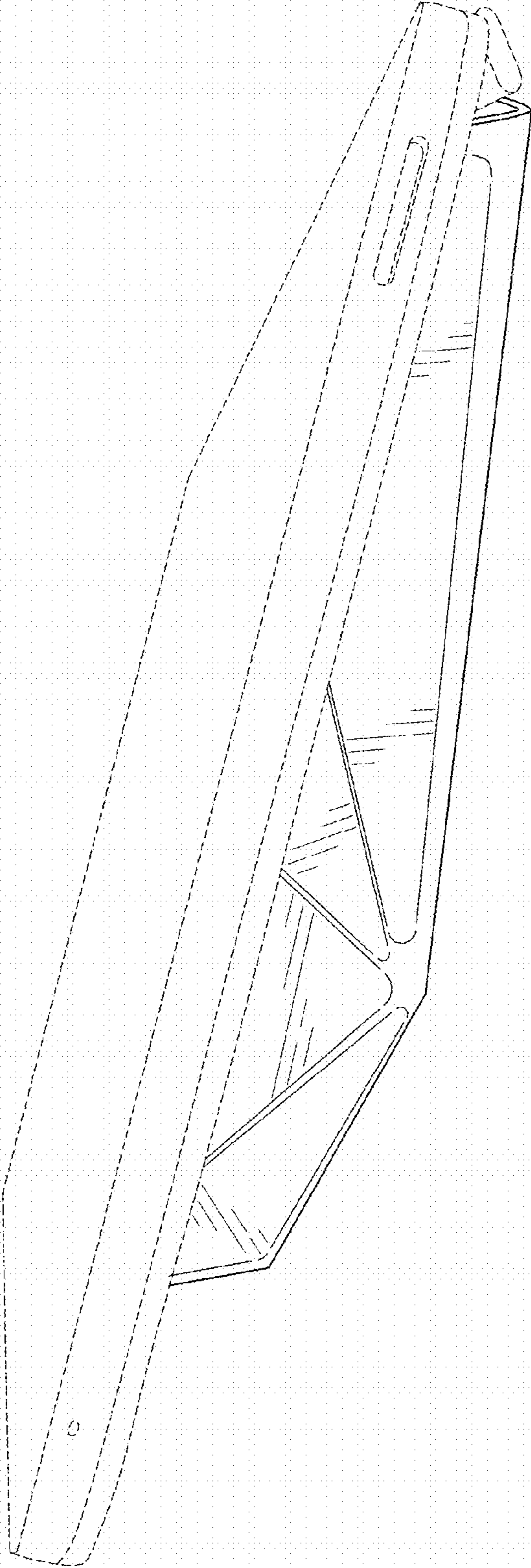


FIG. 11