



US00D693822S

(12) **United States Design Patent**
Bates et al.

(10) **Patent No.:** **US D693,822 S**
(45) **Date of Patent:** **** Nov. 19, 2013**

(54) **PROTECTIVE COVER FOR A TABLET COMPUTER**

(71) Applicant: **Logitech Europe S.A.**, Morges (CH)

(72) Inventors: **Mathew Bates**, Blackrock (IE); **John Moriarty**, Dublin (IE); **Simone Chevalley**, Lausanne (CH); **Alexis Richard**, La-Tour-de-Peilz (CH); **Azmat Ali**, Pleasanton, CA (US)

(73) Assignee: **Logitech Europe S.A.**, Morges (CH)

(**) Term: **14 Years**

(21) Appl. No.: **29/445,154**

(22) Filed: **Feb. 7, 2013**

Related U.S. Application Data

(63) Continuation of application No. 29/418,040, filed on Apr. 11, 2012.

(51) **LOC (9) Cl.** **14-02**

(52) **U.S. Cl.**
USPC **D14/440**

(58) **Field of Classification Search**

USPC D14/250, 251, 253, 240, 217, 496, 440, D14/203.3, 203.4, 203.5, 203.8, 341, 318, D14/439; D3/215, 218, 201, 294, 289, 900; 220/4.02; 248/309.1; 361/679.56; 397/426, 433.11, 455; 455/575.1, 455/575.8; 190/100; 206/305, 320; D21/469

See application file for complete search history.

(56) **References Cited**

U.S. PATENT DOCUMENTS

D230,376 S * 2/1974 Andrew D19/91
5,480,118 A * 1/1996 Cross 248/459
6,568,005 B2 * 5/2003 Fleming et al. 5/420
7,042,712 B2 * 5/2006 Ghosh et al. 361/679.03

7,259,750 B2 * 8/2007 Ghosh et al. 345/168
D606,120 S * 12/2009 Miller et al. D20/18
D606,121 S * 12/2009 Miller et al. D20/18
D637,814 S * 5/2011 Akana et al. D3/303
D658,187 S * 4/2012 Diebel D14/440
D658,188 S * 4/2012 Diebel D14/440
D659,139 S * 5/2012 Gengler D14/392
D675,625 S * 2/2013 Hasbrook et al. D14/440
D676,050 S * 2/2013 Sanz D14/440
D679,277 S * 4/2013 Probst et al. D14/440
D682,836 S * 5/2013 Akana et al. D14/440
2001/0009500 A1 * 7/2001 Selker 361/683
2009/0159763 A1 * 6/2009 Kim 248/174
2012/0194448 A1 * 8/2012 Rothkopf 345/173

* cited by examiner

Primary Examiner — Cynthia Underwood

(74) *Attorney, Agent, or Firm* — Kilpatrick Townsend & Stockton LLP

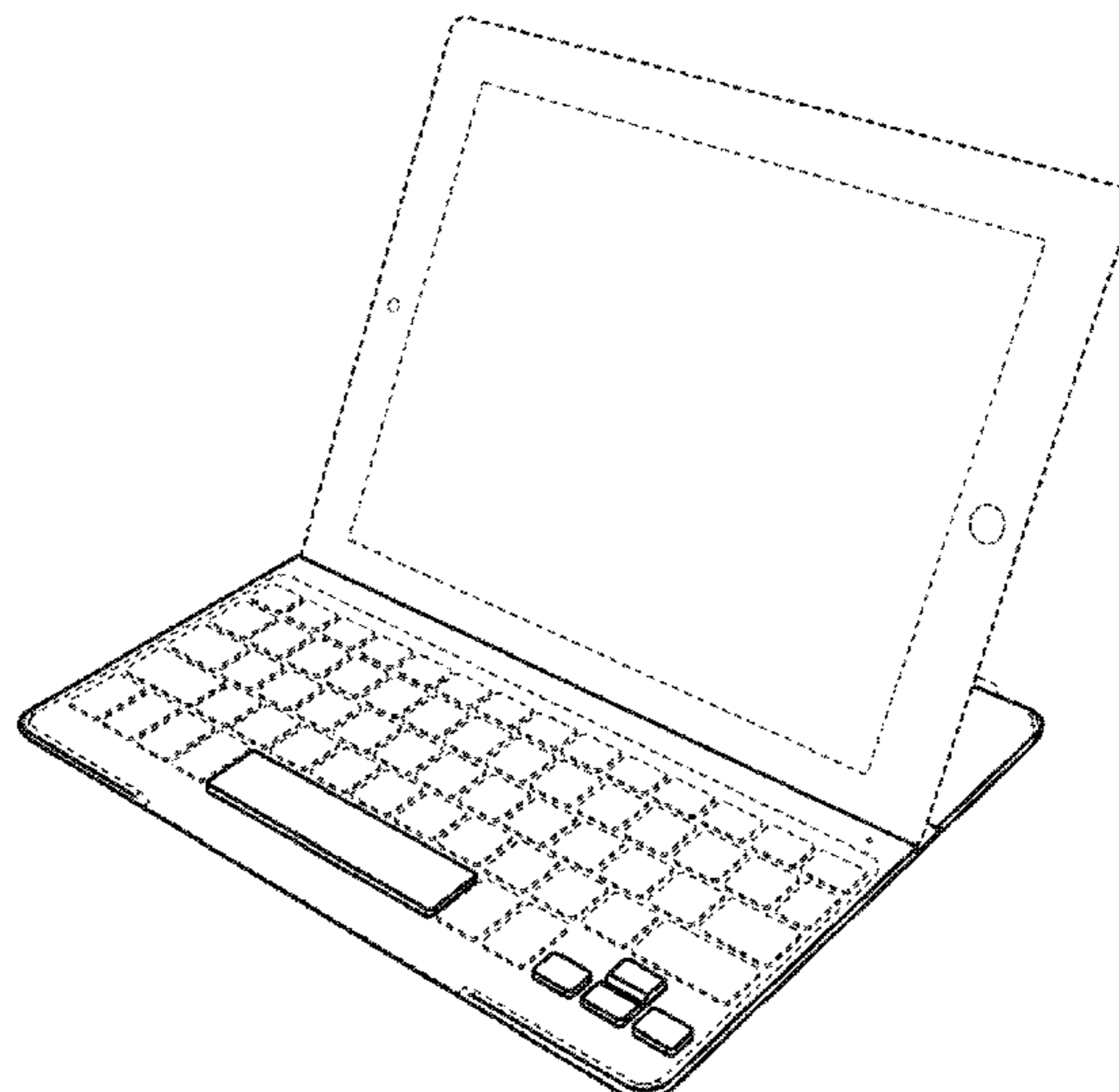
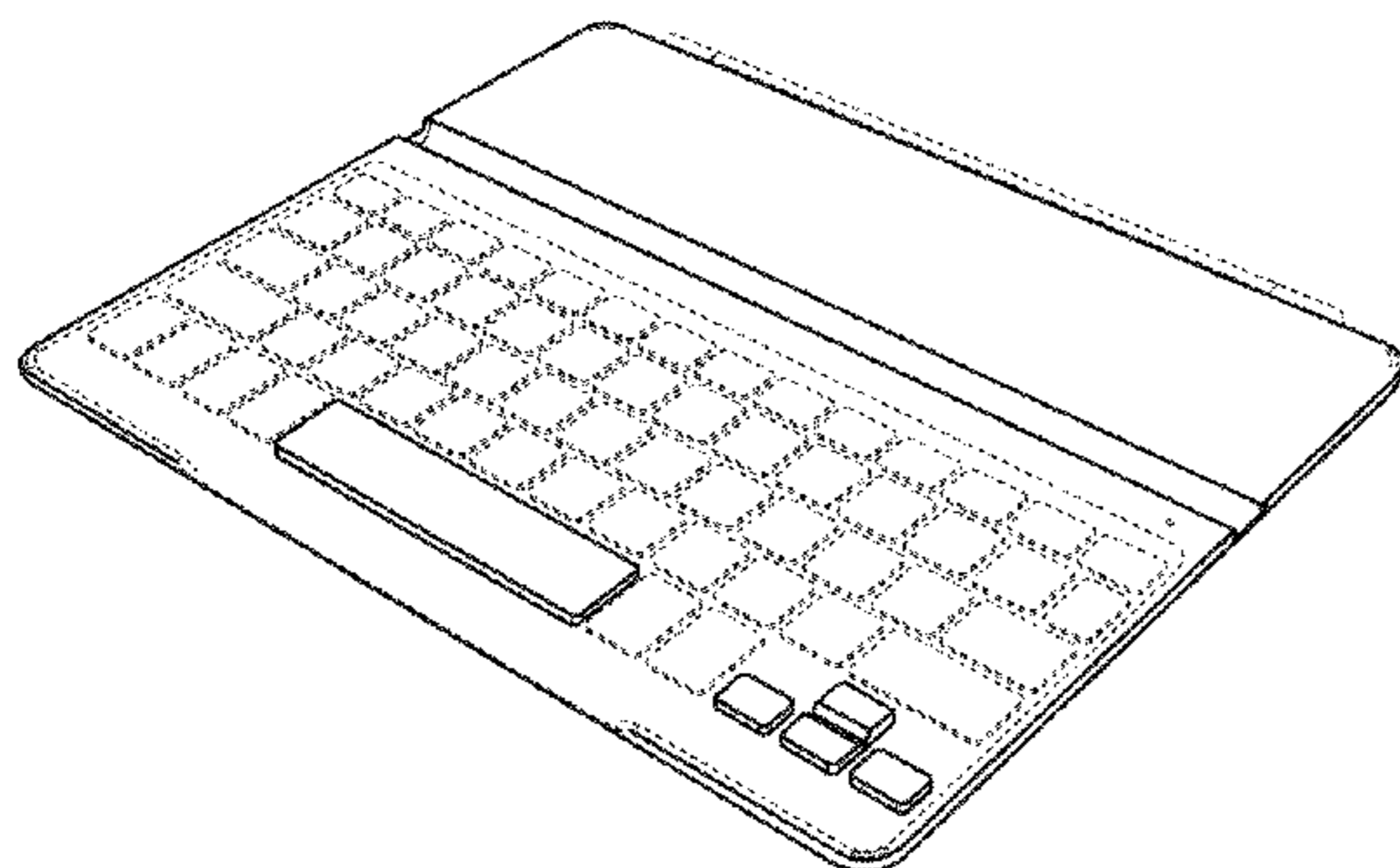
(57) **CLAIM**

The ornamental design for a protective cover for a tablet computer, as shown and described.

DESCRIPTION

FIG. 1 is a perspective view of the protective cover for a tablet computer showing our new design in an open position without a tablet computer included therein; FIG. 2 is a second perspective view thereof; FIG. 3 is a top plan view thereof; FIG. 4 is a bottom plan view thereof; FIG. 5 is a front elevational view thereof; FIG. 6 is a rear elevational view thereof; FIG. 7 is a left side elevational view thereof; and FIG. 8 is a right side elevational view thereof. FIG. 9 is a perspective view of the protective cover for a tablet computer showing our new design in an open position with a tablet computer included therein; and, FIG. 10 is a second perspective view thereof. The broken lines represent portions of the structure and environment that form no part of the claim.

1 Claim, 5 Drawing Sheets



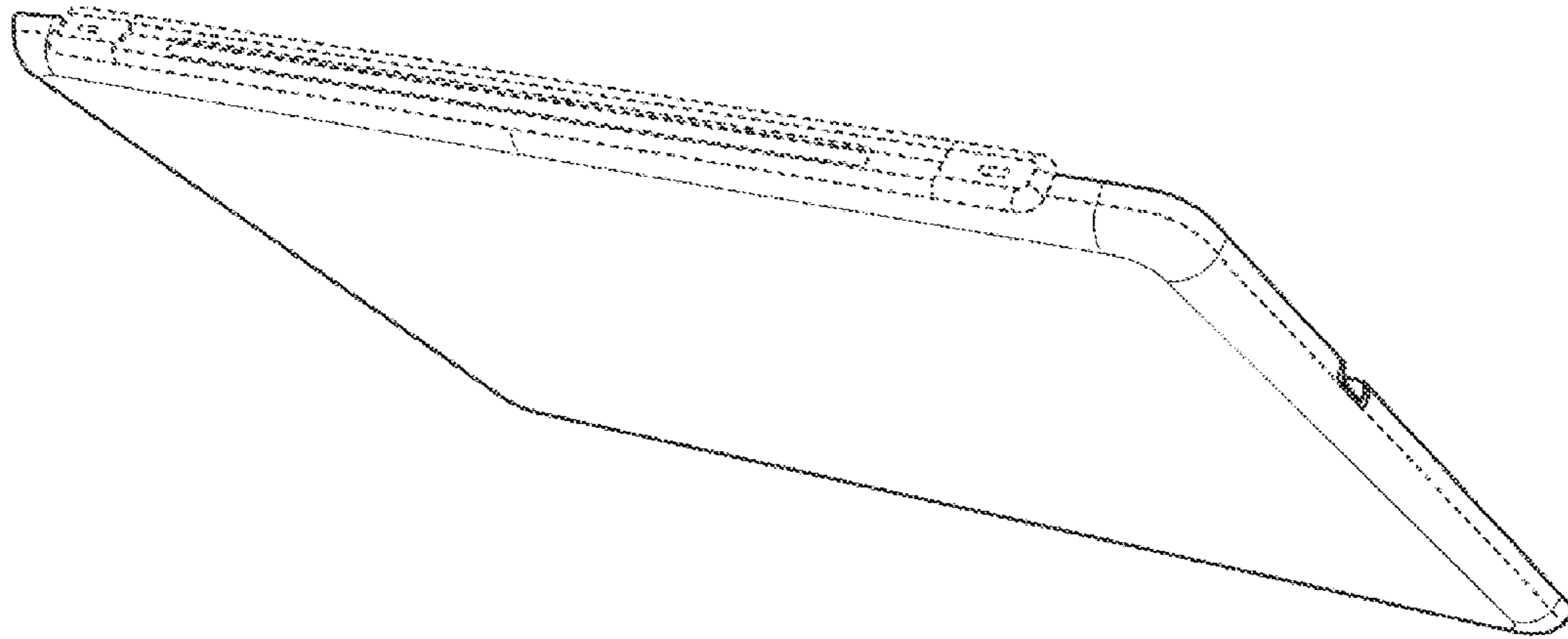


FIG. 1

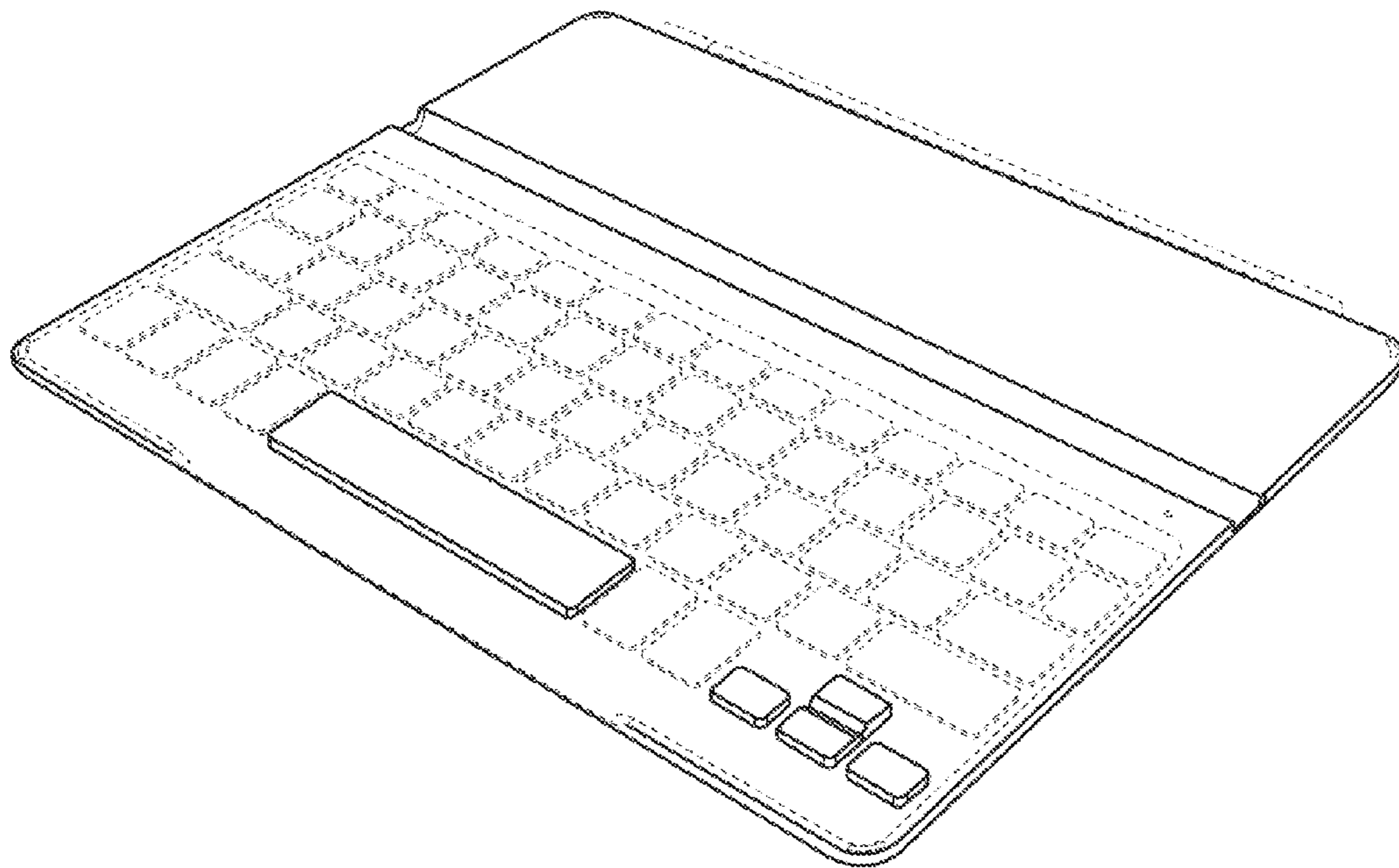


FIG. 2

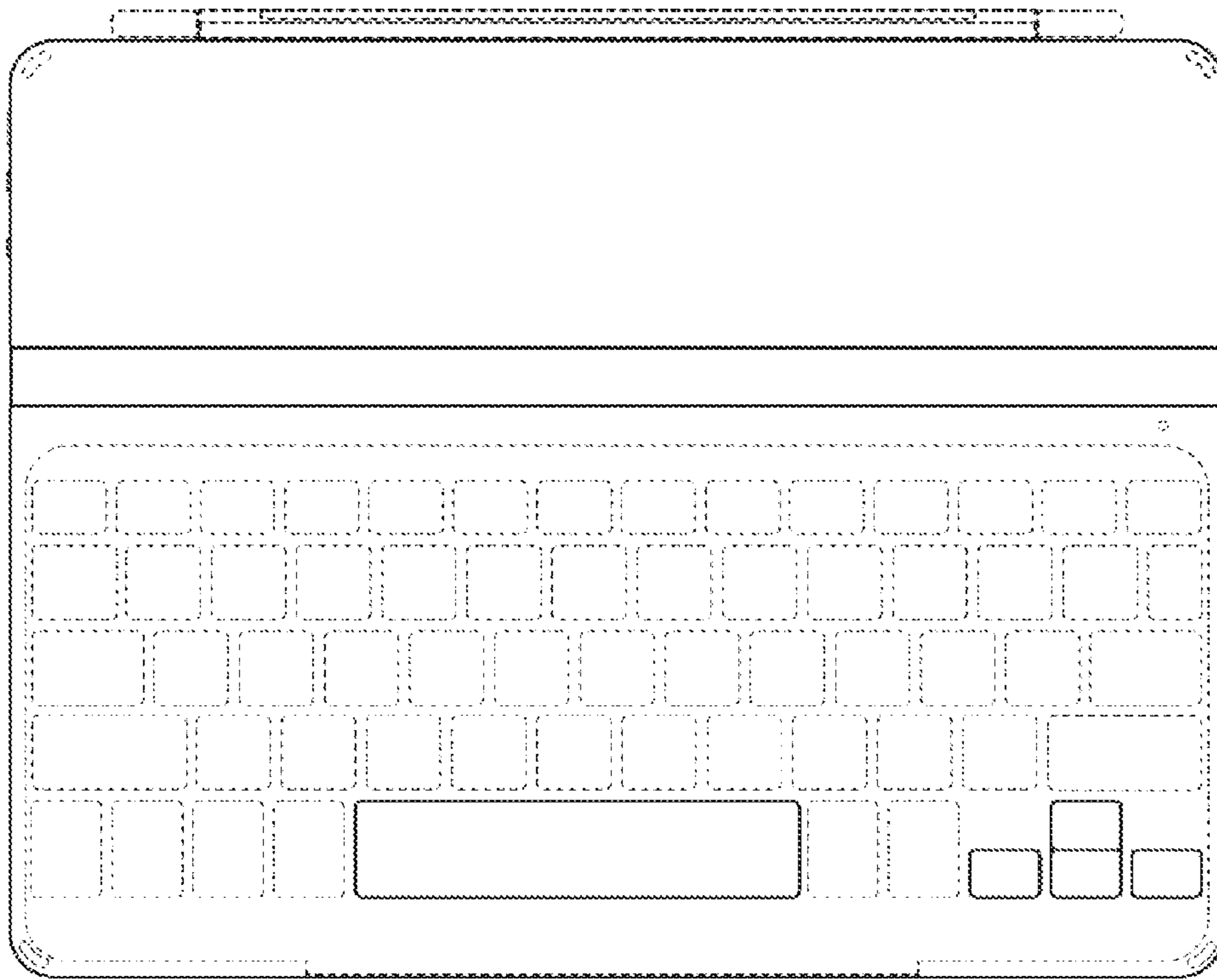


FIG. 3

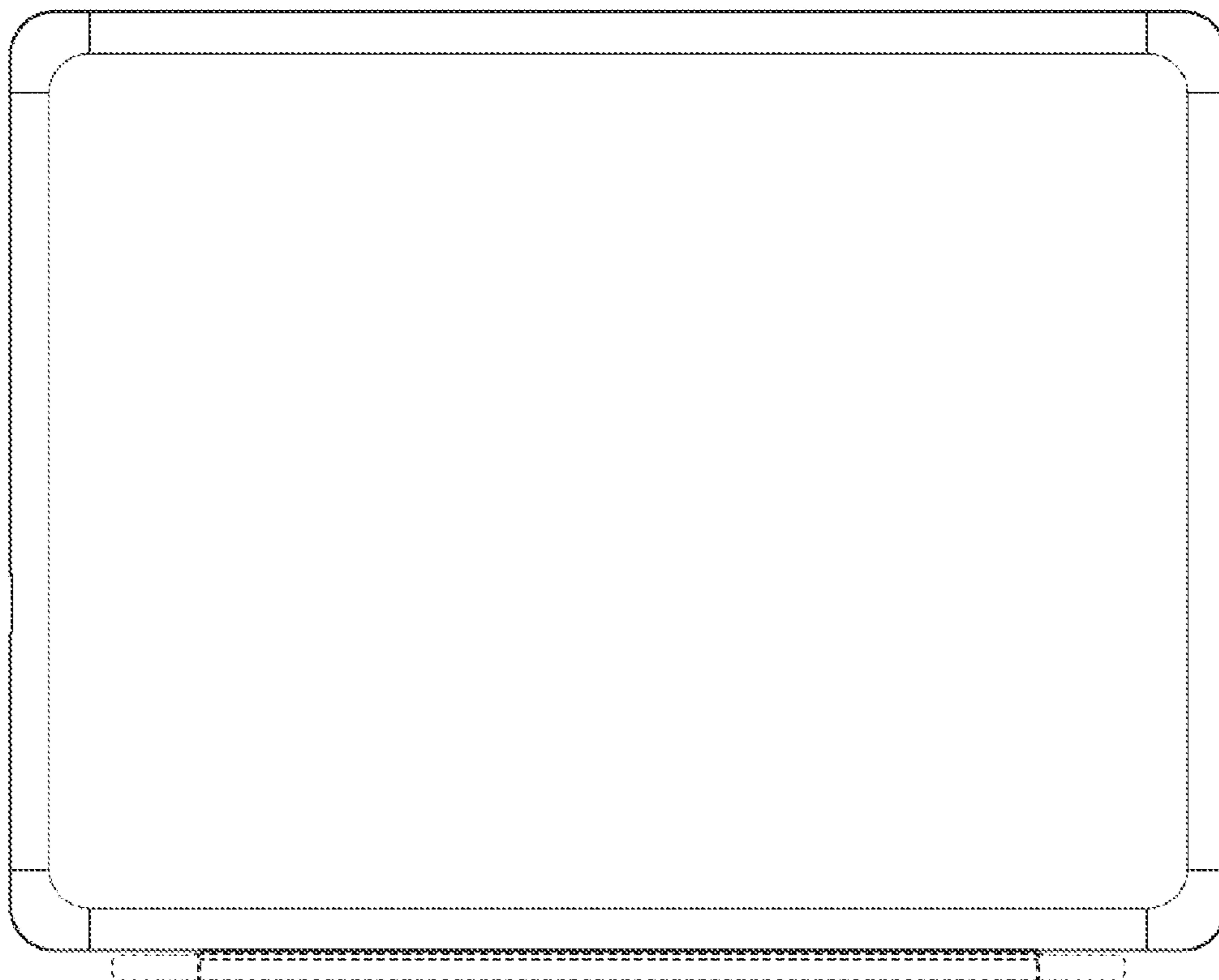


FIG. 4

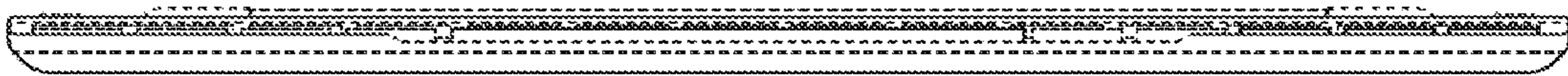


FIG. 5

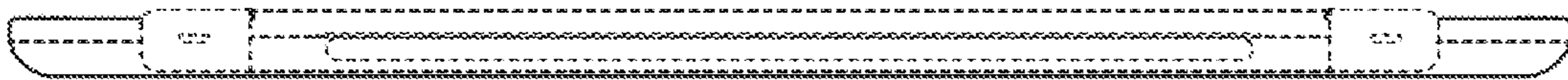


FIG. 6

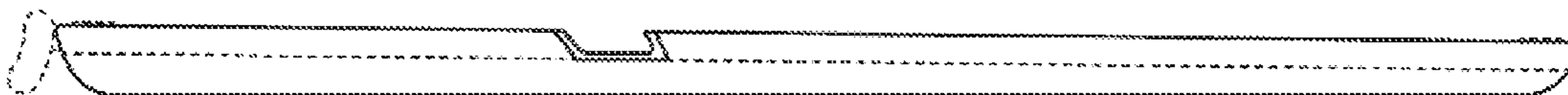


FIG. 7

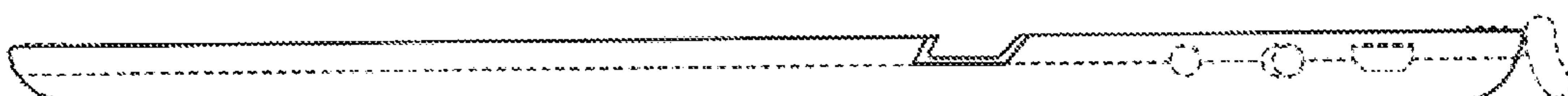


FIG. 8

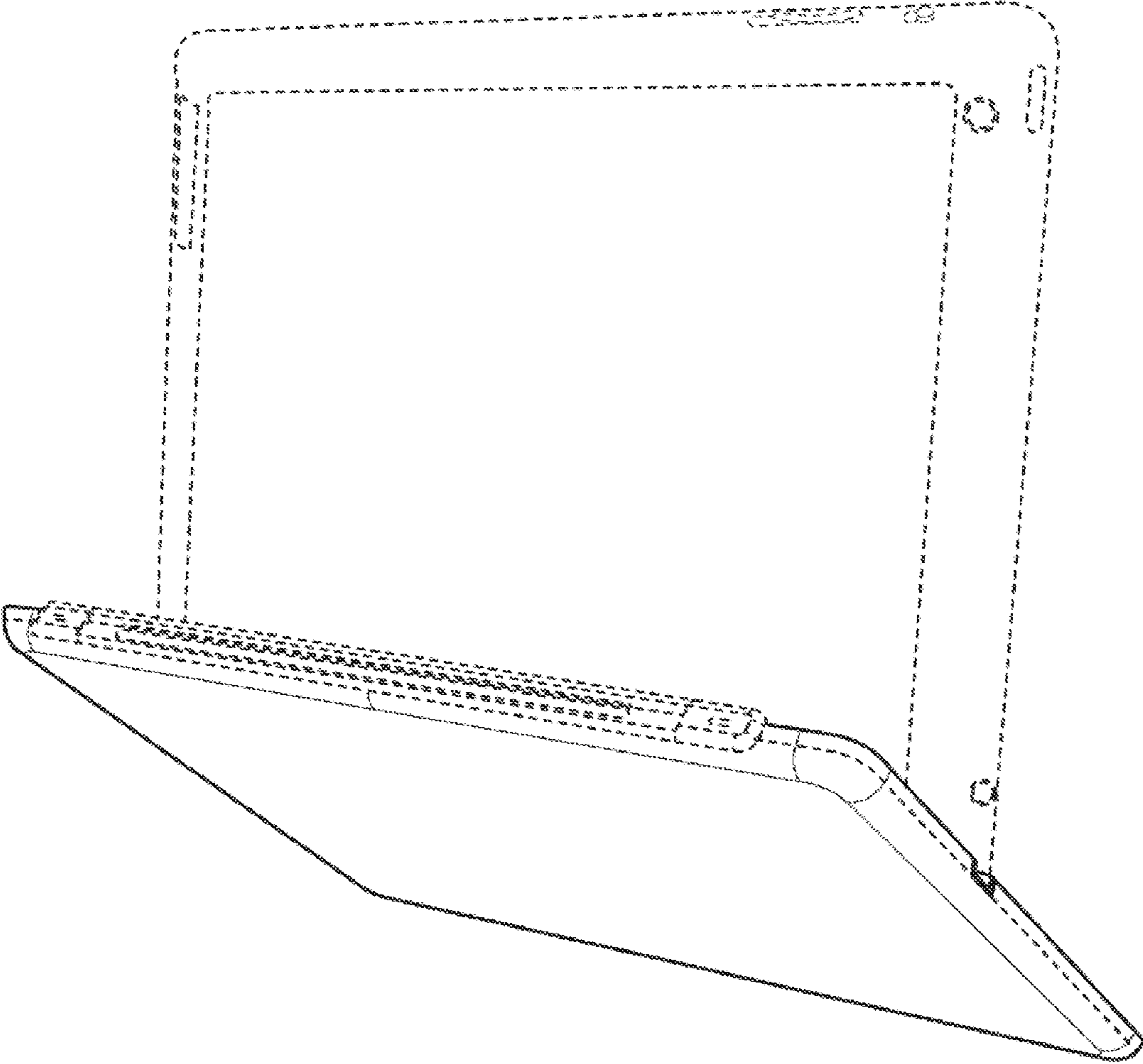


FIG. 9

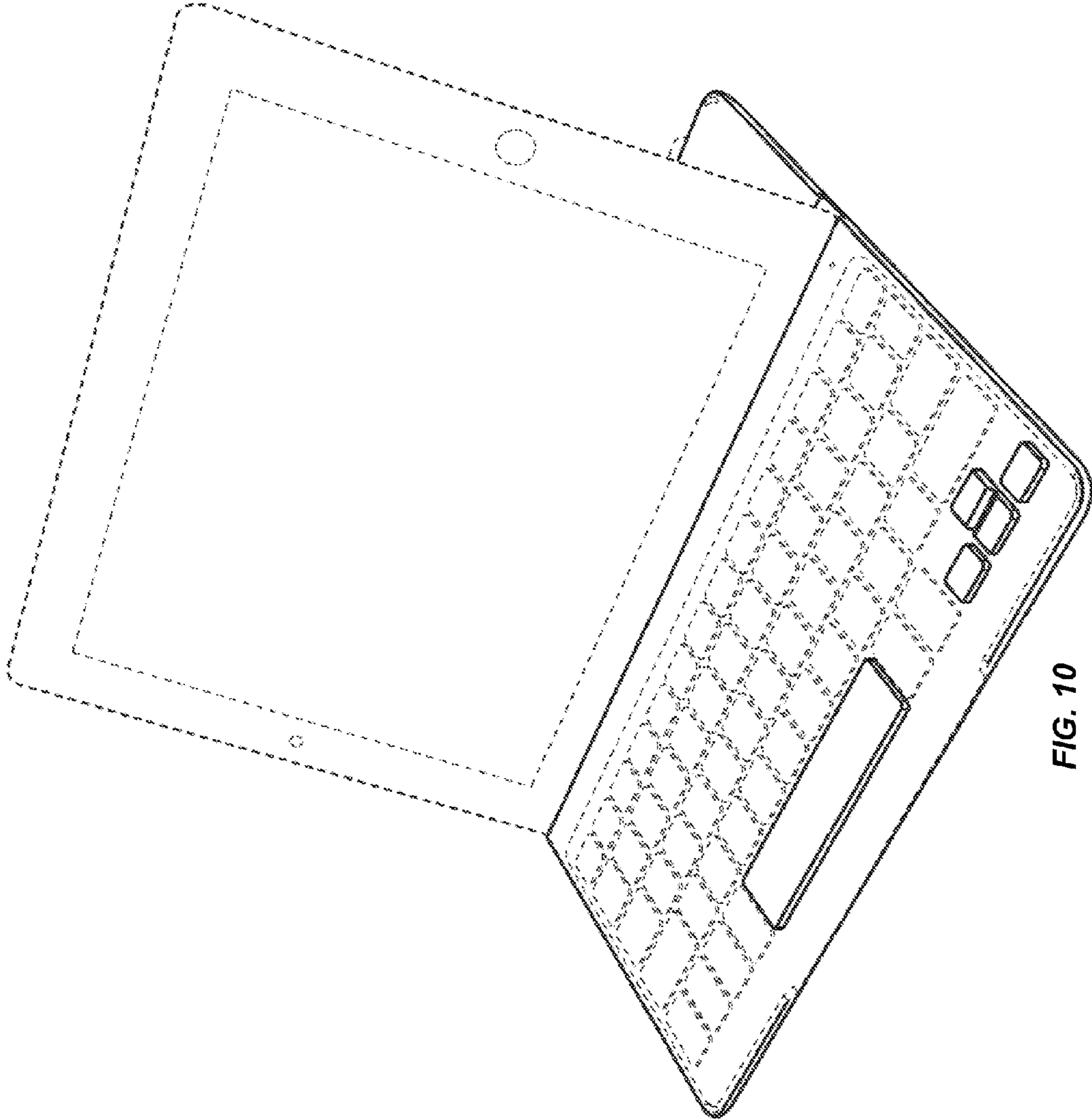


FIG. 10