

US00D693821S

(12) **United States Design Patent**
Bates et al.

(10) **Patent No.:** **US D693,821 S**
(45) **Date of Patent:** **** Nov. 19, 2013**

(54) **PROTECTIVE COVER FOR A TABLET COMPUTER**

- (71) Applicant: **Logitech Europe S.A.**, Morges (CH)
- (72) Inventors: **Mathew Bates**, Blackrock (IE); **John Moriarty**, Dublin 2 (IE); **Simone Chevalley**, Lausanne (CH); **Alexis Richard**, La-Tour-de-Peilz (CH); **Azmat Ali**, Pleasanton, CA (US)
- (73) Assignee: **Logitech Europe S.A.**, Morges (CH)
- (**) Term: **14 Years**
- (21) Appl. No.: **29/445,151**
- (22) Filed: **Feb. 7, 2013**

Related U.S. Application Data

- (63) Continuation of application No. 29/418,040, filed on Apr. 11, 2012.

Foreign Application Priority Data

- Jun. 14, 2012 (CN) 2012 3 0249841
- Jun. 19, 2012 (EM) 002060129
- (51) **LOC (9) Cl.** **14-02**
- (52) **U.S. Cl.**
USPC **D14/440**
- (58) **Field of Classification Search**
USPC D14/250, 251, 253, 240, 217, 496, 440,
D14/203.3, 203.4, 203.5, 203.8, 341, 318,
D14/439; D3/215, 218, 201, 294, 289, 900;
220/4.02; 248/309.1; 361/679.56;
397/426, 433.11, 455; 455/575.1,
455/575.8; 190/100; 206/305, 320;
D21/469

See application file for complete search history.

(56) **References Cited**

U.S. PATENT DOCUMENTS

D230,376	S	*	2/1974	Andrew	D19/91
5,480,118	A	*	1/1996	Cross	248/459
6,568,005	B2	*	5/2003	Fleming et al.	5/420
7,042,712	B2	*	5/2006	Ghosh et al.	361/679.03
7,259,750	B2	*	8/2007	Ghosh et al.	345/168
D606,120	S	*	12/2009	Miller et al.	D20/18
D606,121	S	*	12/2009	Miller et al.	D20/18
D637,814	S	*	5/2011	Akana et al.	D3/303
D658,187	S	*	4/2012	Diebel	D14/440
D658,188	S	*	4/2012	Diebel	D14/440
D659,139	S	*	5/2012	Gengler	D14/392
D675,625	S	*	2/2013	Hasbrook et al.	D14/440
D676,050	S	*	2/2013	Sanz	D14/440

(Continued)

Primary Examiner — Cynthia Underwood

(74) *Attorney, Agent, or Firm* — Kilpatrick Townsend & Stockton LLP

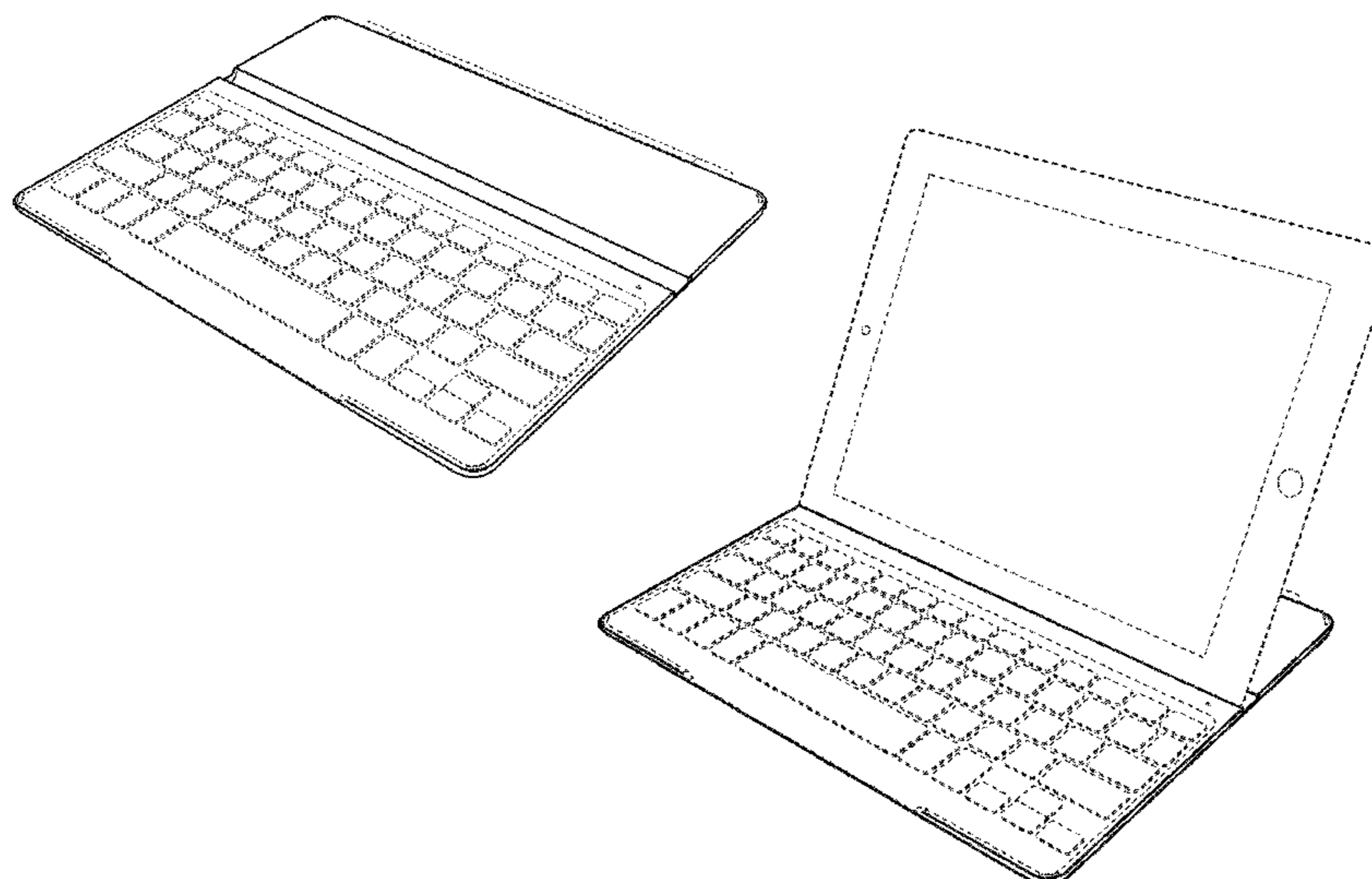
(57) **CLAIM**

The ornamental design for a protective cover for a tablet computer, as shown and described.

DESCRIPTION

FIG. 1 is a perspective view of the protective cover for a tablet computer showing our new design in an open position without a tablet computer included therein;
 FIG. 2 is a second perspective view thereof;
 FIG. 3 is a top plan view thereof;
 FIG. 4 is a bottom plan view thereof;
 FIG. 5 is a front elevational view thereof;
 FIG. 6 is a rear elevational view thereof;
 FIG. 7 is a left side elevational view thereof; and
 FIG. 8 is a right side elevational view thereof.
 FIG. 9 is a perspective view of the protective cover for a tablet computer showing our new design in an open position with a tablet computer included therein; and,
 FIG. 10 is a second perspective view thereof.
 The broken lines represent portions of the structure and environment that form no part of the claim.

1 Claim, 5 Drawing Sheets



US D693,821 S

Page 2

(56)

References Cited

U.S. PATENT DOCUMENTS

			2001/0009500	A1*	7/2001	Selker	361/683
			2009/0159763	A1*	6/2009	Kim	248/174
			2012/0194448	A1*	8/2012	Rothkopf	345/173
D679,277	S	*	4/2013	Probst et al.	D14/440		
D682,836	S	*	5/2013	Akana et al.	D14/440		

* cited by examiner

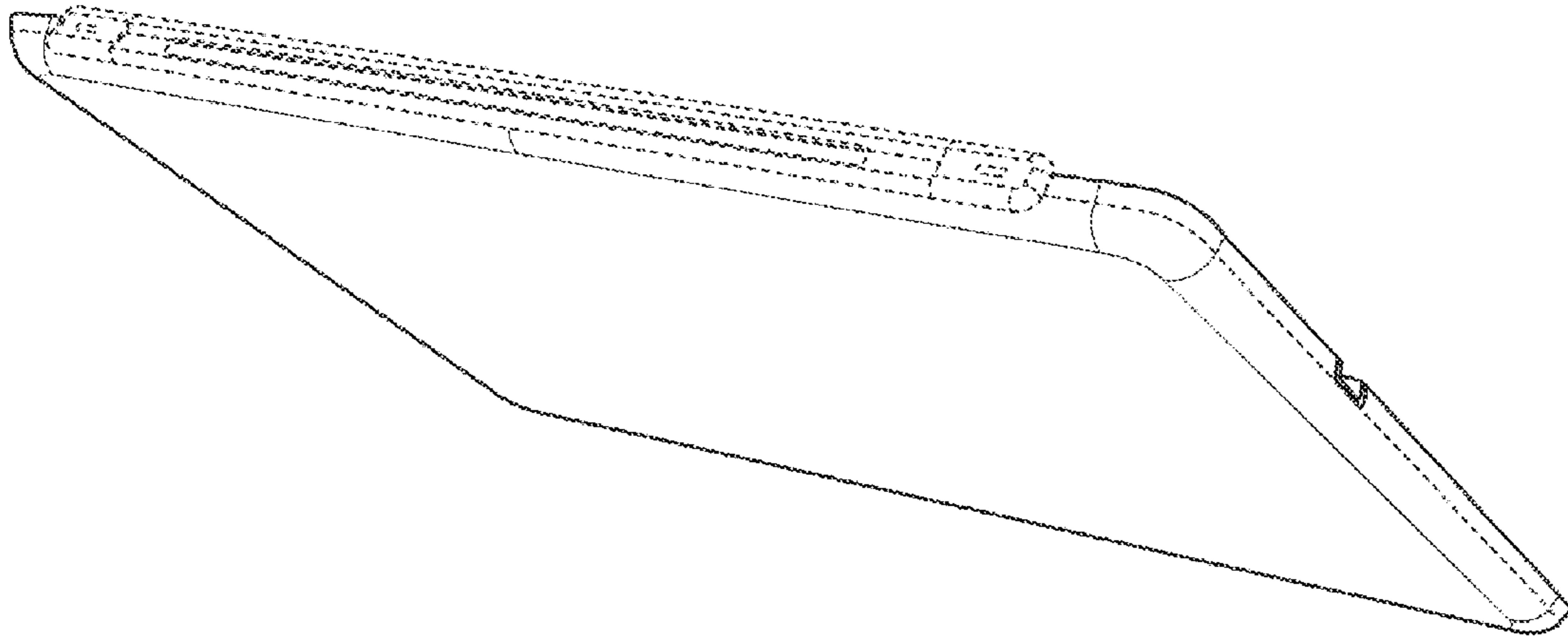


FIG. 1

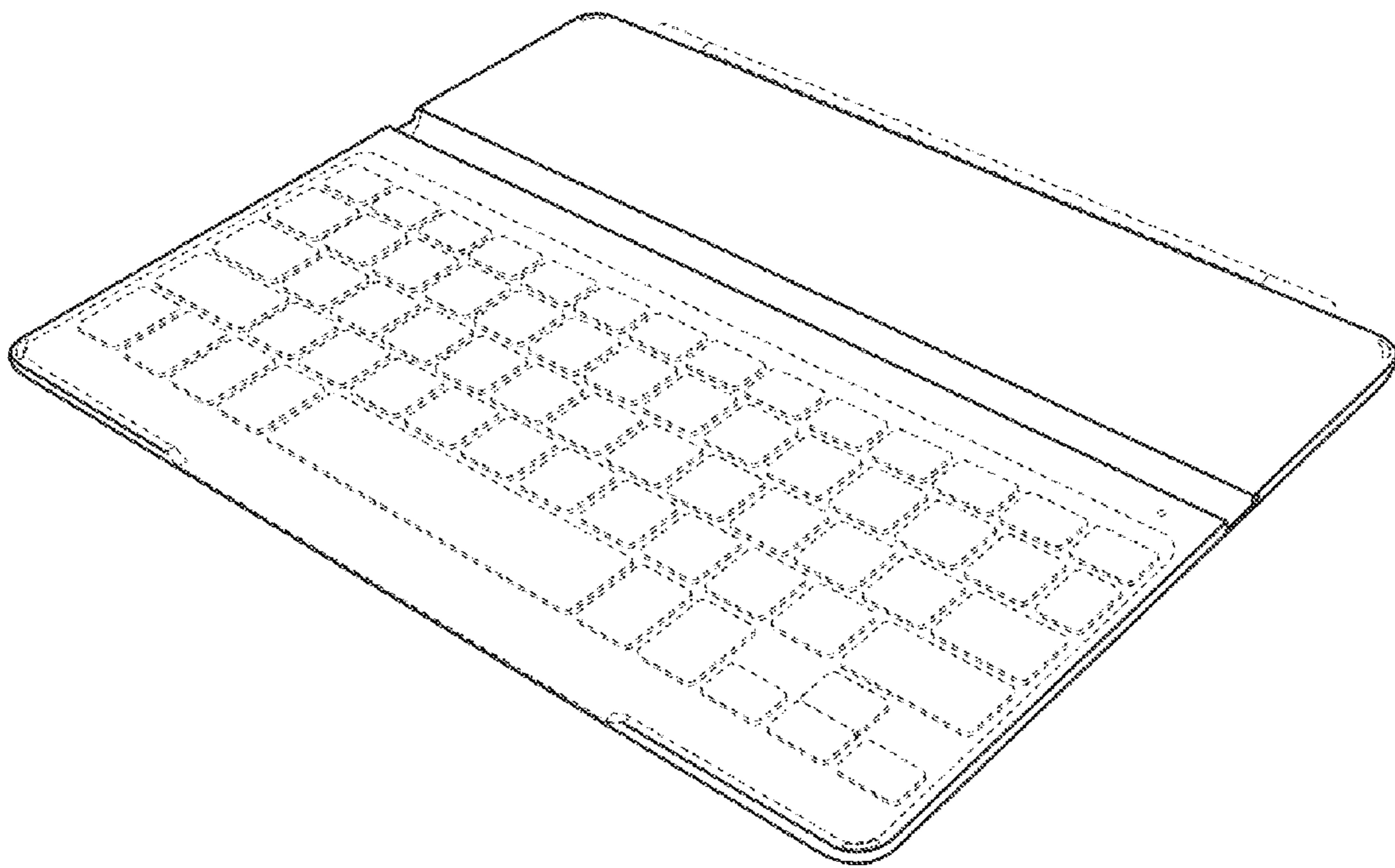


FIG. 2

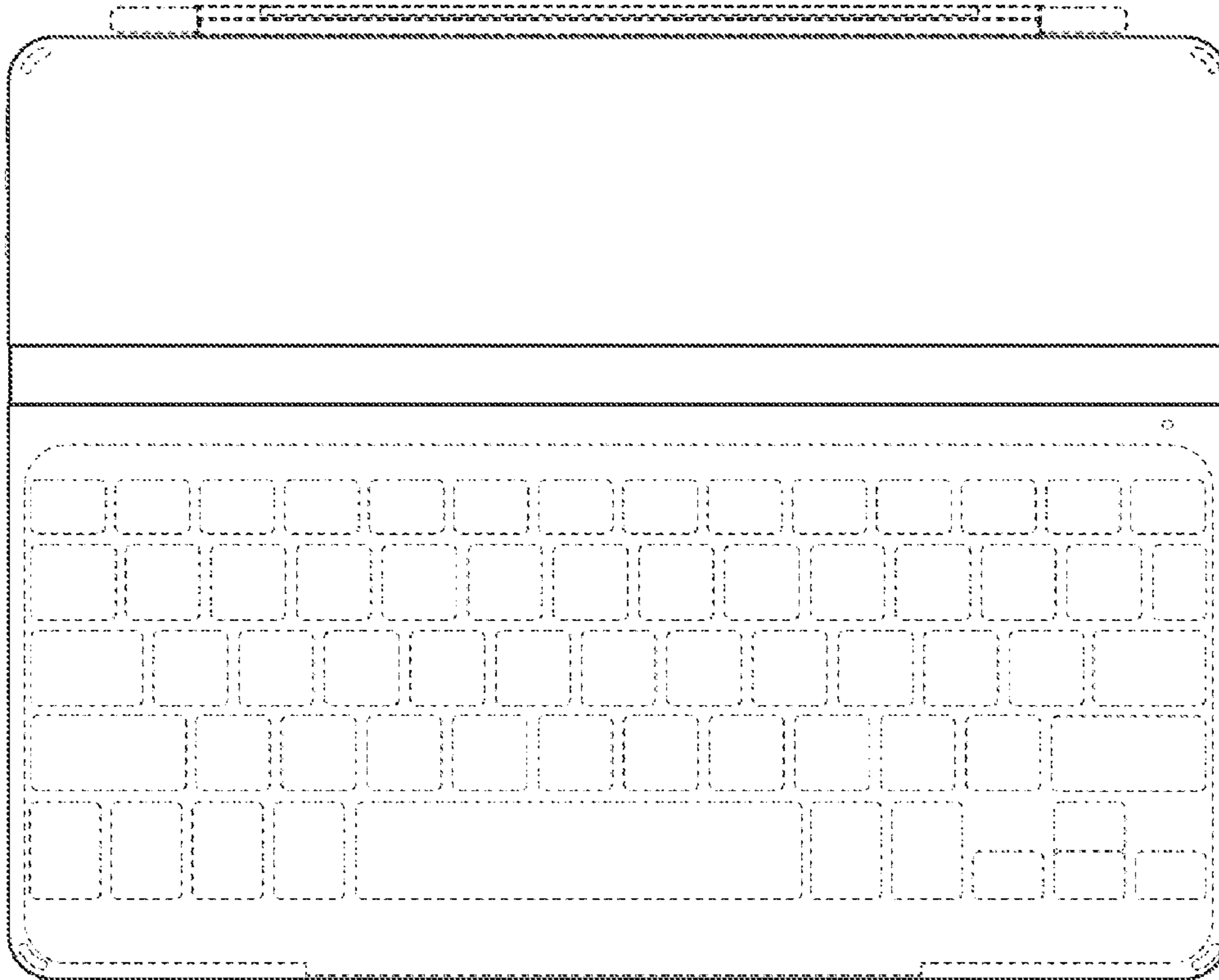


FIG. 3

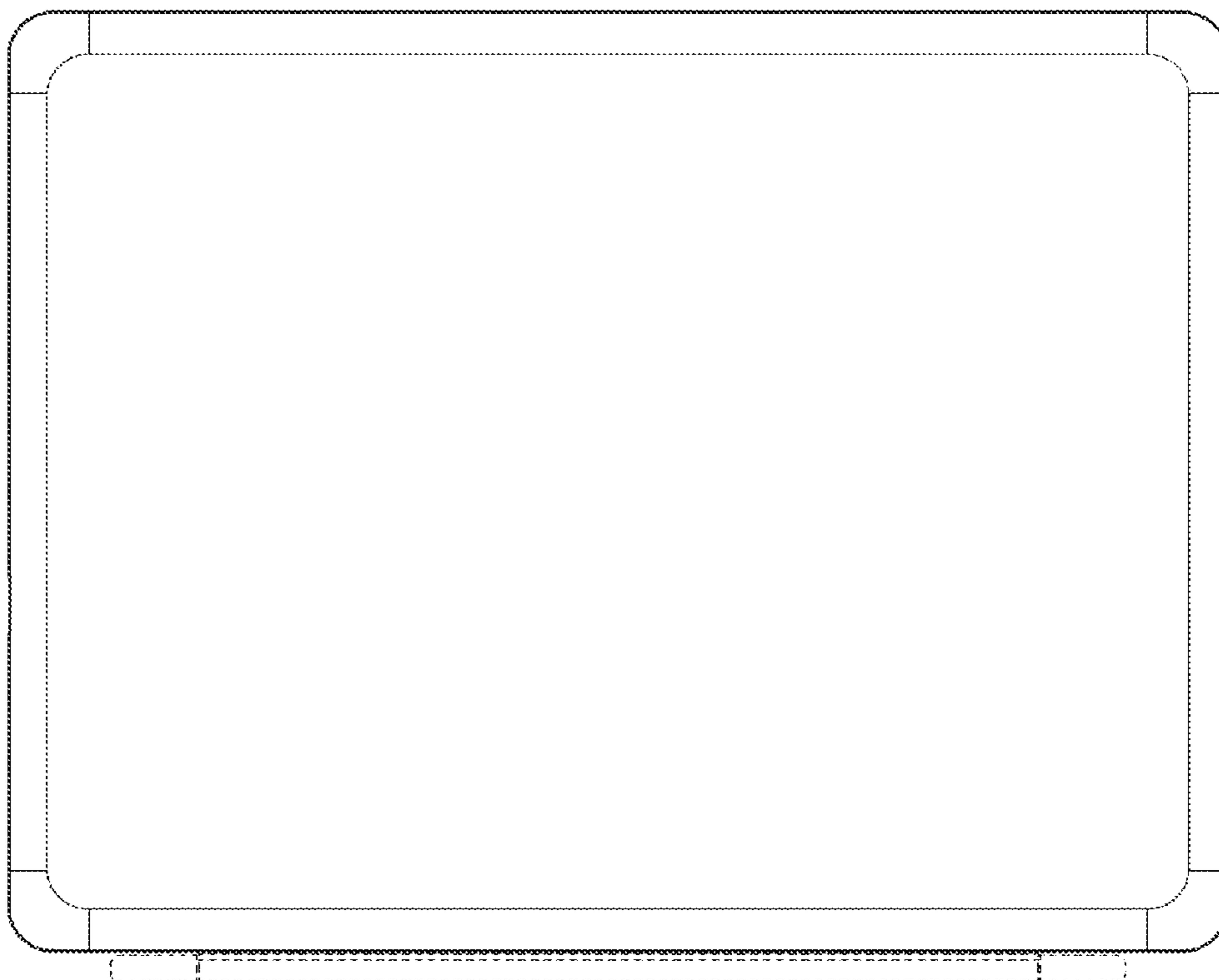


FIG. 4

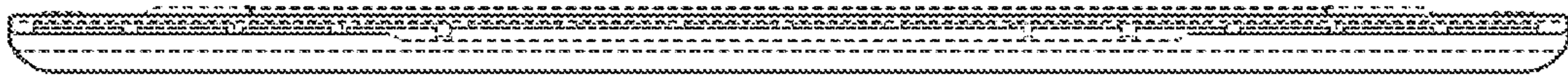


FIG. 5

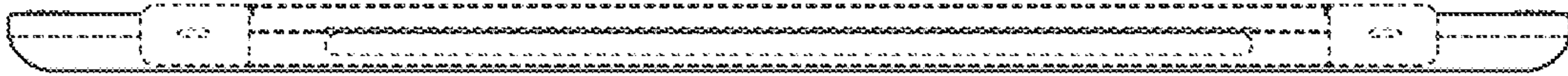


FIG. 6

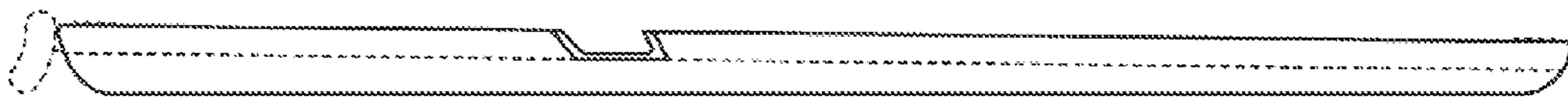


FIG. 7

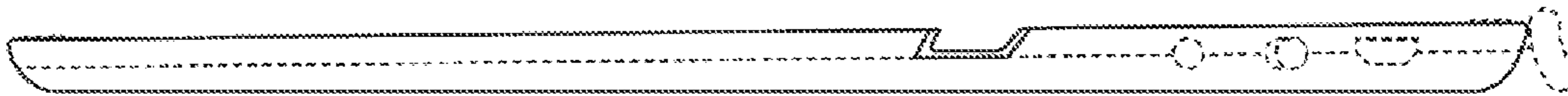


FIG. 8

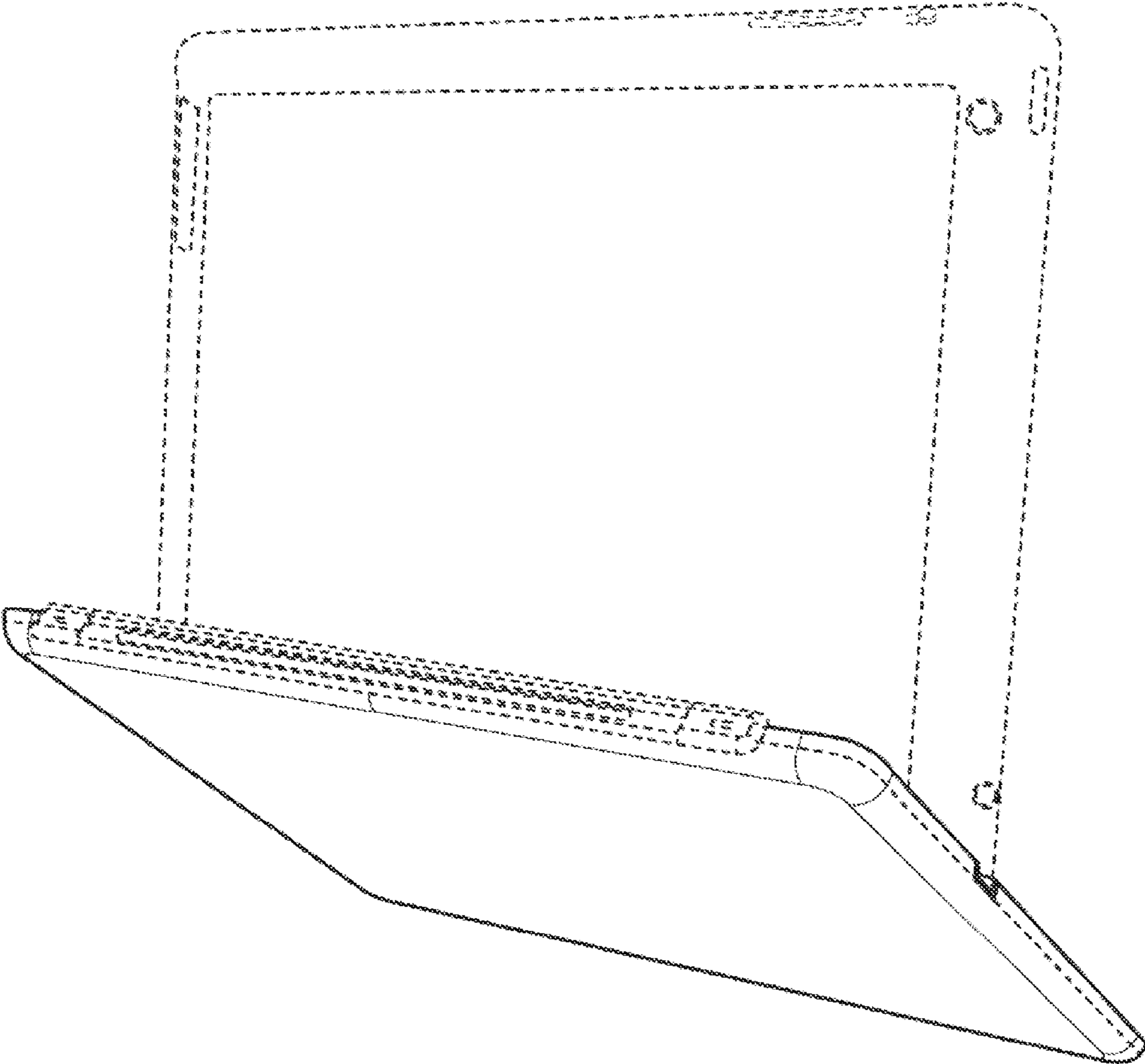


FIG. 9

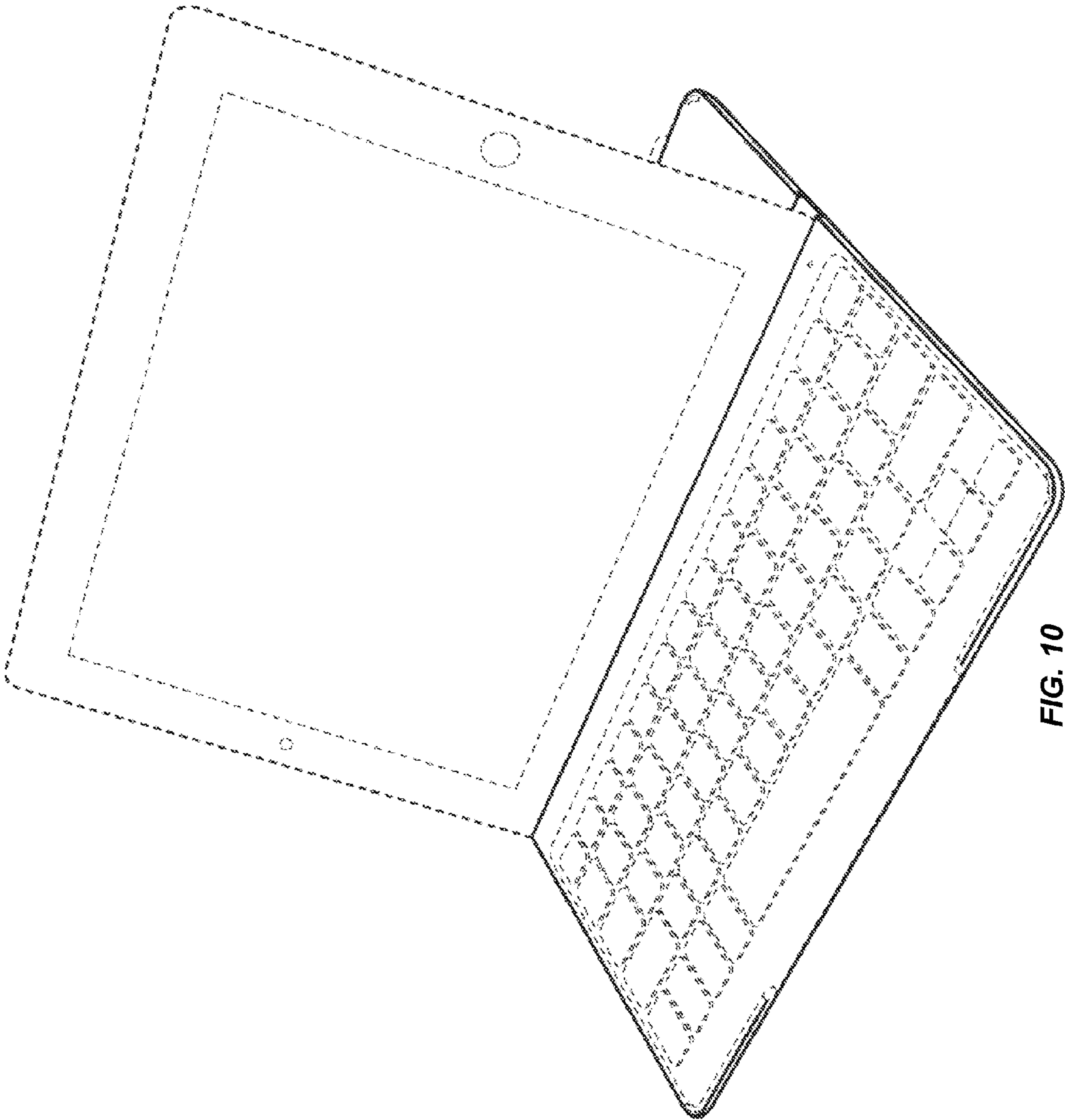


FIG. 10