



US00D693820S

(12) **United States Design Patent**
Eastwood

(10) **Patent No.:** **US D693,820 S**

(45) **Date of Patent:** **** Nov. 19, 2013**

(54) **CASE FOR ELECTRONIC PEN**

(75) Inventor: **Mark Eastwood**, Kentfield, CA (US)

(73) Assignee: **Wacom Co., Ltd.**, Kazo-shi (JP)

(**) Term: **14 Years**

(21) Appl. No.: **29/393,049**

(22) Filed: **May 27, 2011**

(30) **Foreign Application Priority Data**

Dec. 28, 2010 (JP) 2010-031368

(51) **LOC (9) Cl.** **14-02**

(52) **U.S. Cl.**
USPC **D14/440**; D14/432

(58) **Field of Classification Search**
USPC D14/300, 301, 308, 311, 313, 432, 433,
D14/439, 441-446, 299, 440, 250; 312/294,
312/297, 317.1, 223.1-223.3; 361/679.02,
361/679.57, 697.58, 724-726, 807; 174/51,
174/350, 354, 375, 377; 220/4.02
See application file for complete search history.

(56) **References Cited**

U.S. PATENT DOCUMENTS

D327,017 S *	6/1992	Shih	D10/2
D515,588 S *	2/2006	Kirkwood	D14/440
D675,627 S *	2/2013	Rouser	D14/440
D676,448 S *	2/2013	Gorman et al.	D14/440
D677,668 S *	3/2013	Phillips et al.	D14/440
D678,291 S *	3/2013	Phillips et al.	D14/440
D681,041 S *	4/2013	Phillips et al.	D14/440
D684,977 S *	6/2013	Phillips et al.	D14/440
D684,978 S *	6/2013	Phillips et al.	D14/440
D685,802 S *	7/2013	Canizares et al.	D14/440
D686,626 S *	7/2013	Tan	D14/440

* cited by examiner

Primary Examiner — Austin Murphy

(74) *Attorney, Agent, or Firm* — Christensen O'Connor Johnson Kindness PLLC

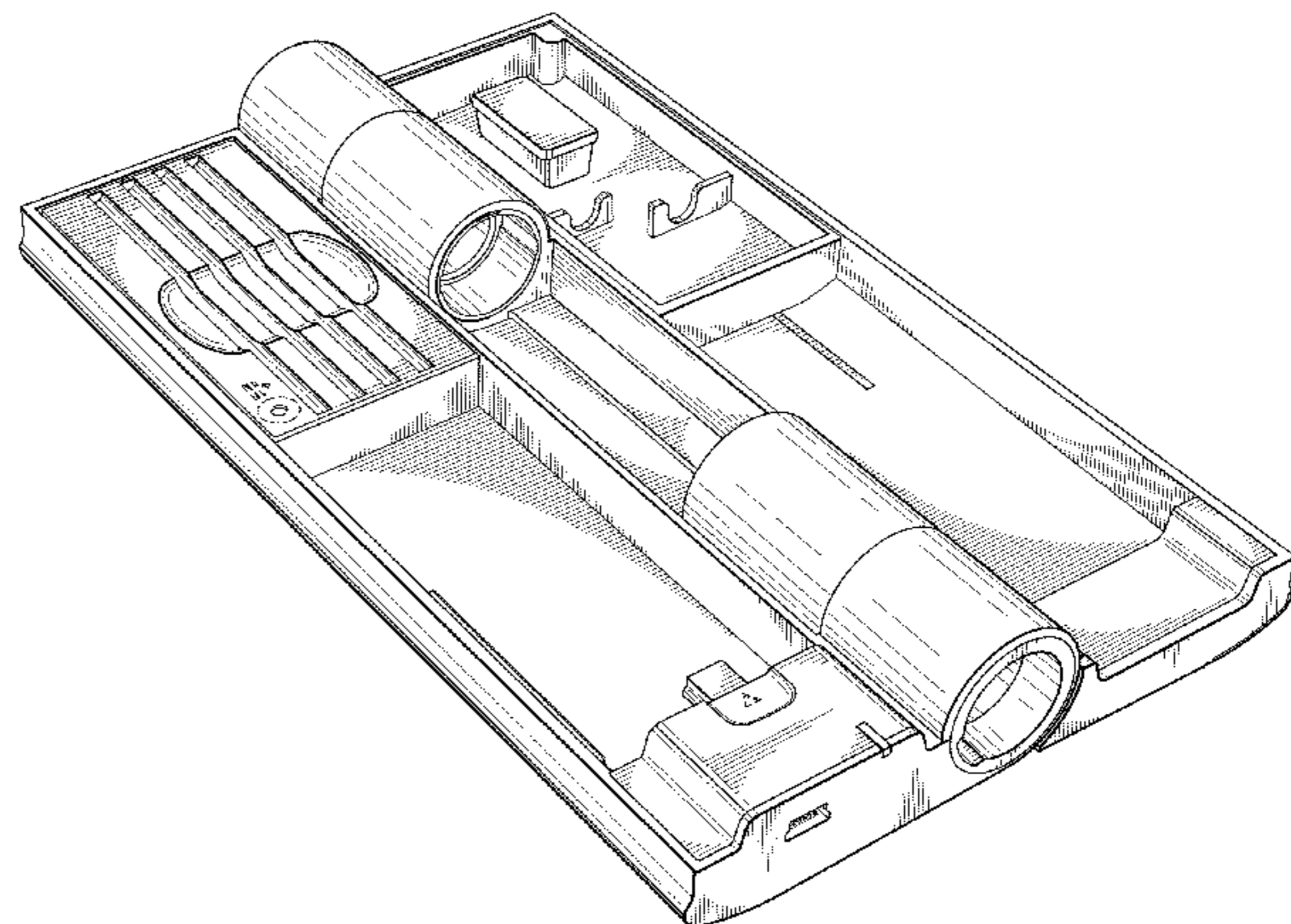
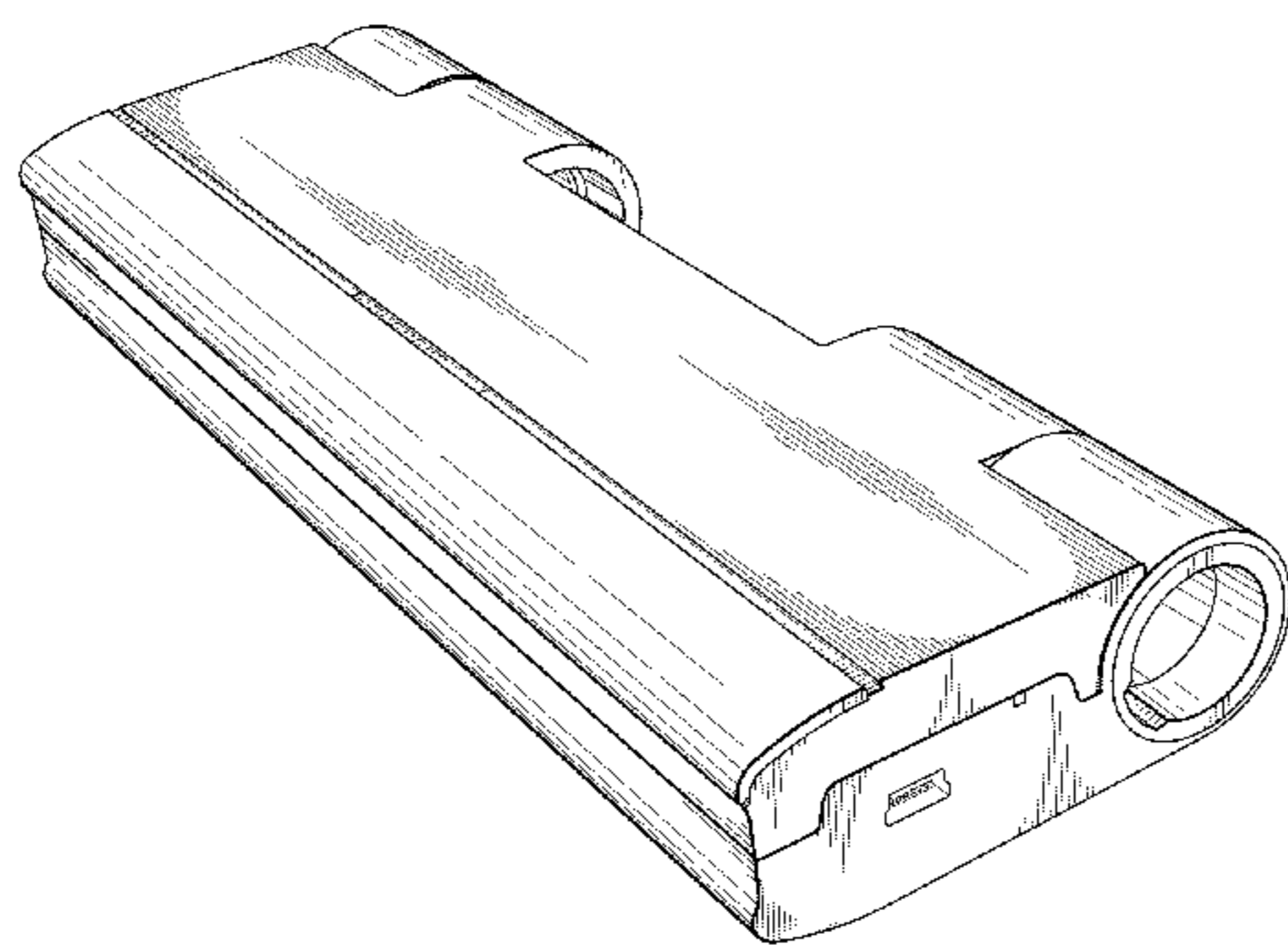
(57) **CLAIM**

The ornamental design for a case for an electronic pen, as shown and described.

DESCRIPTION

FIG. 1 is an upper front right perspective view of a case for an electronic pen showing my new design, wherein the case is shown in a closed configuration;
 FIG. 2 is a front elevation view thereof;
 FIG. 3 is a rear elevation view thereof;
 FIG. 4 is a top plan view thereof;
 FIG. 5 is a bottom plan view thereof;
 FIG. 6 is a right side elevation view thereof;
 FIG. 7 is a left side elevation view thereof;
 FIG. 8 is an upper front right perspective view of the case for an electronic pen as shown in FIG. 1, wherein the case is shown in an open configuration;
 FIG. 9 is a front elevation view thereof;
 FIG. 10 is a rear elevation view thereof;
 FIG. 11 is a top plan view thereof;
 FIG. 12 is a bottom plan view thereof;
 FIG. 13 is a right side elevation view thereof;
 FIG. 14 is a left side elevation view thereof;
 FIG. 15 is an additional top plan view thereof, further illustrating the case with an electronic pen, a connecting cable, and pen refills as environmental subject matter; and,
 FIG. 16 is an upper front right perspective view thereof.
 The broken lines in FIGS. 8, 11, 15, and 16 illustrate environmental subject matter and form no part of the claimed design.

1 Claim, 12 Drawing Sheets



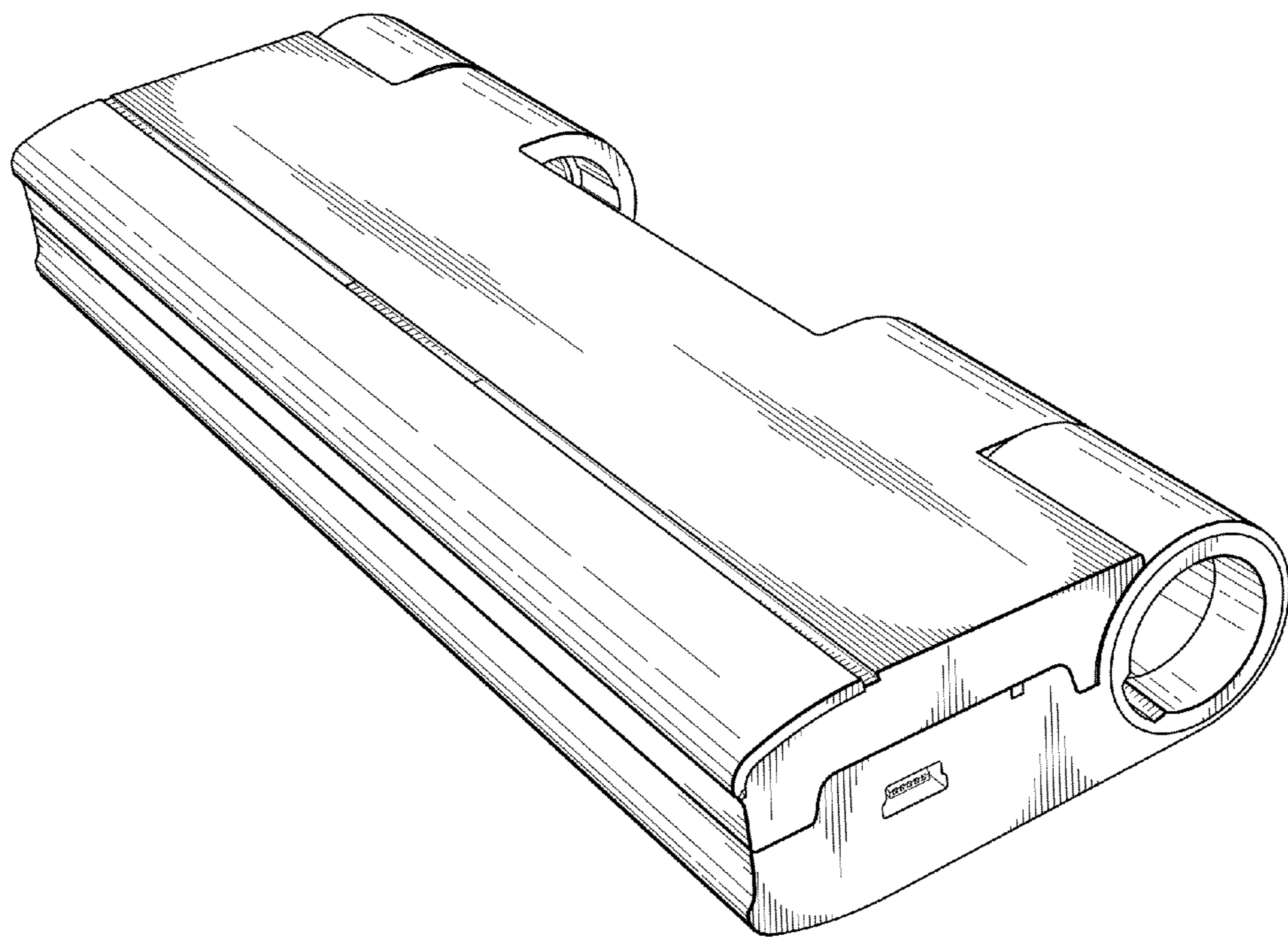


Fig. 1

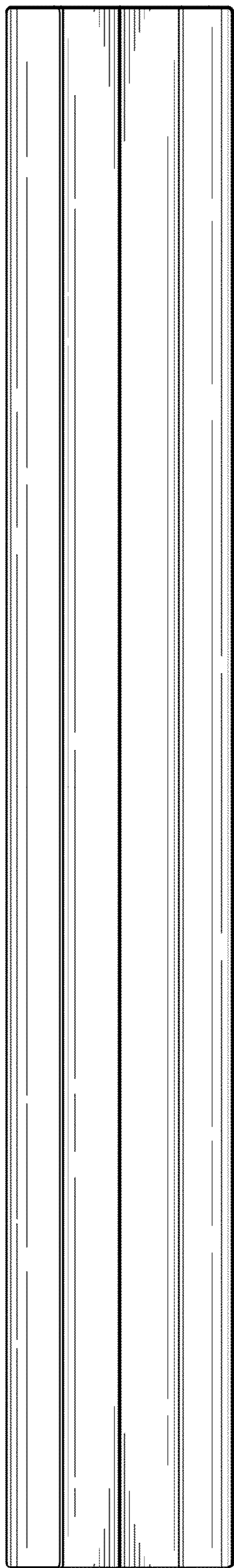


Fig. 2

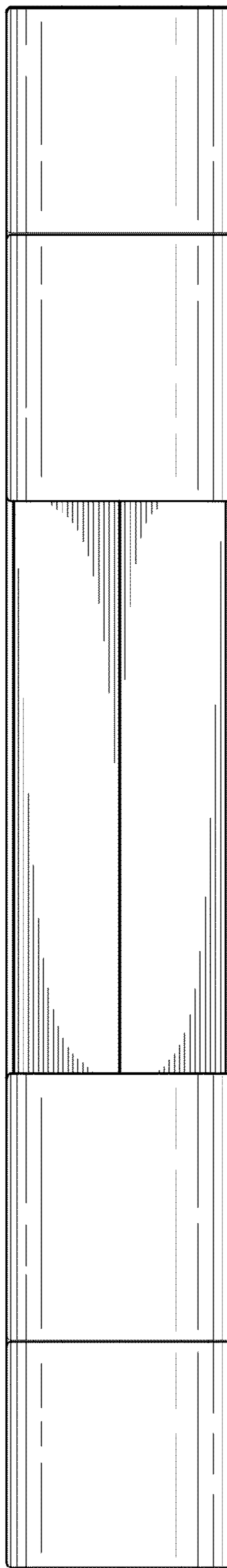


Fig. 3

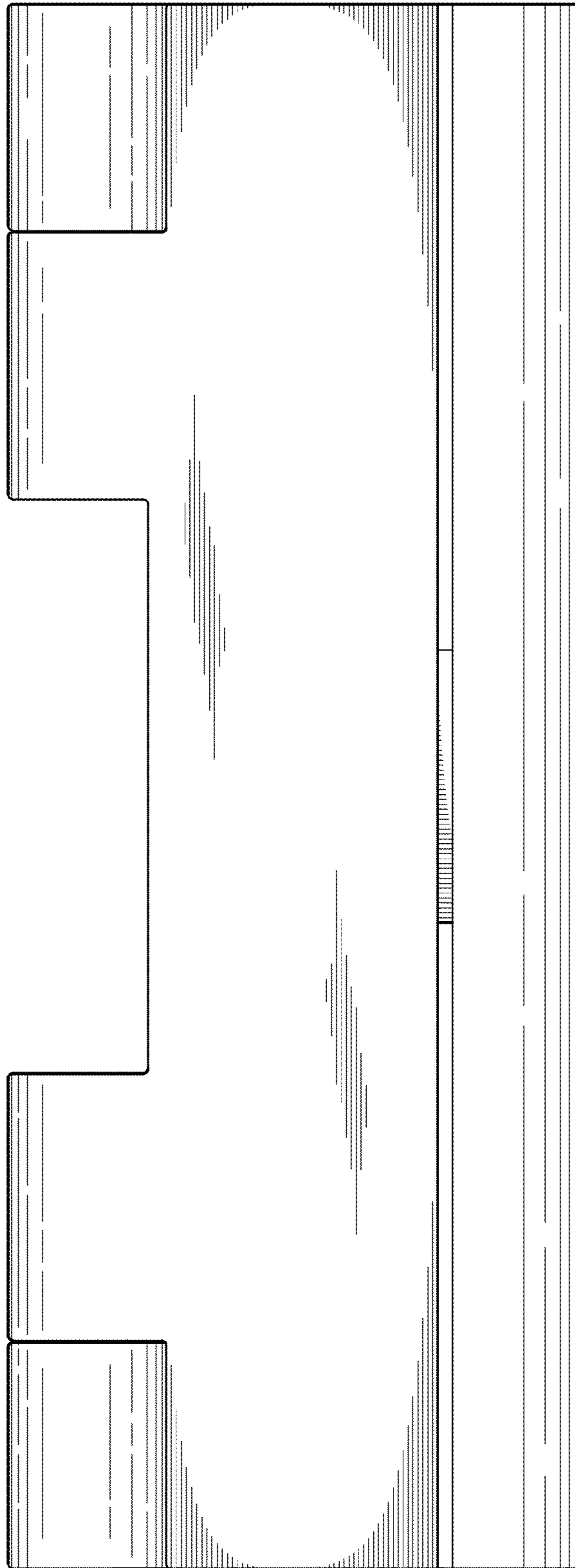


Fig. 4

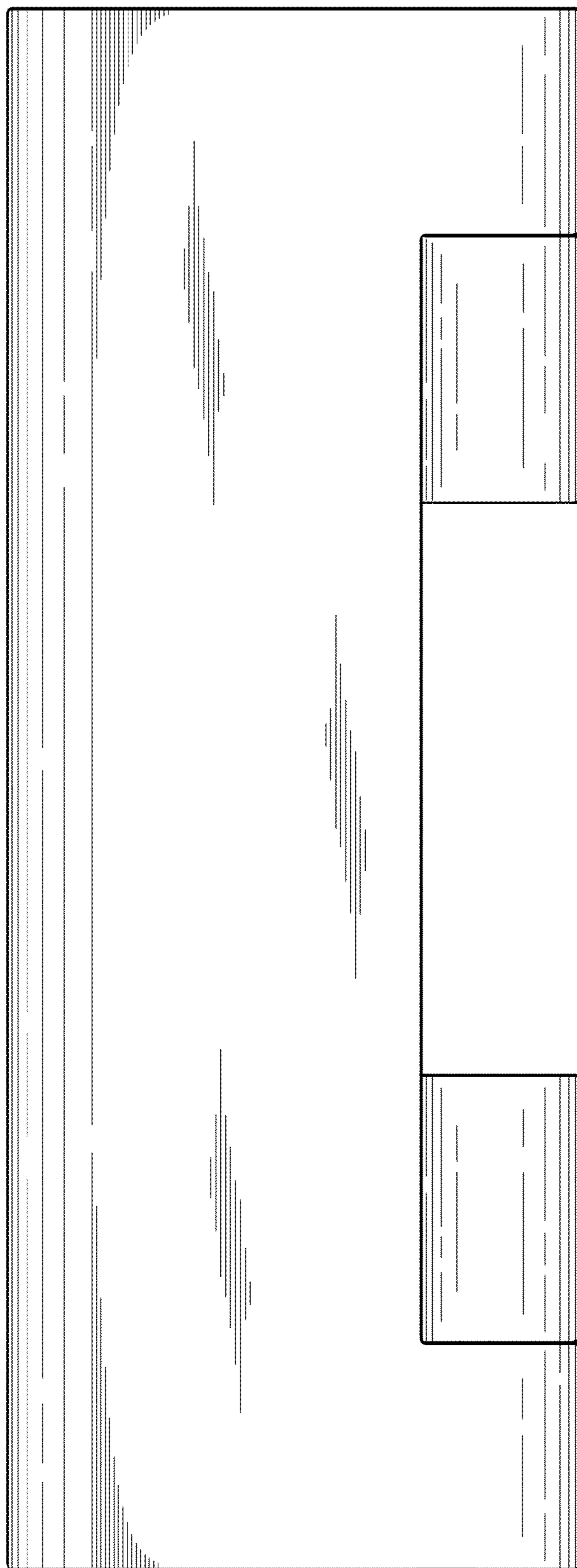


Fig. 5

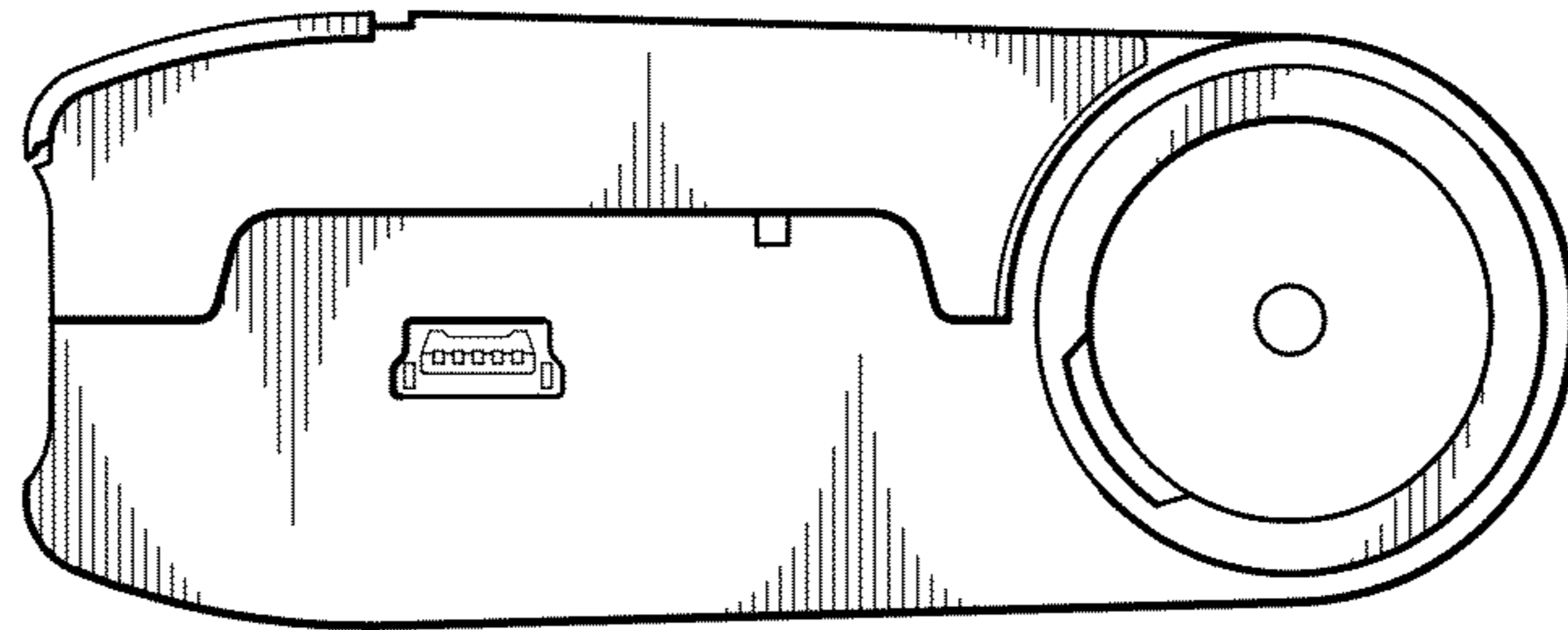


Fig. 6

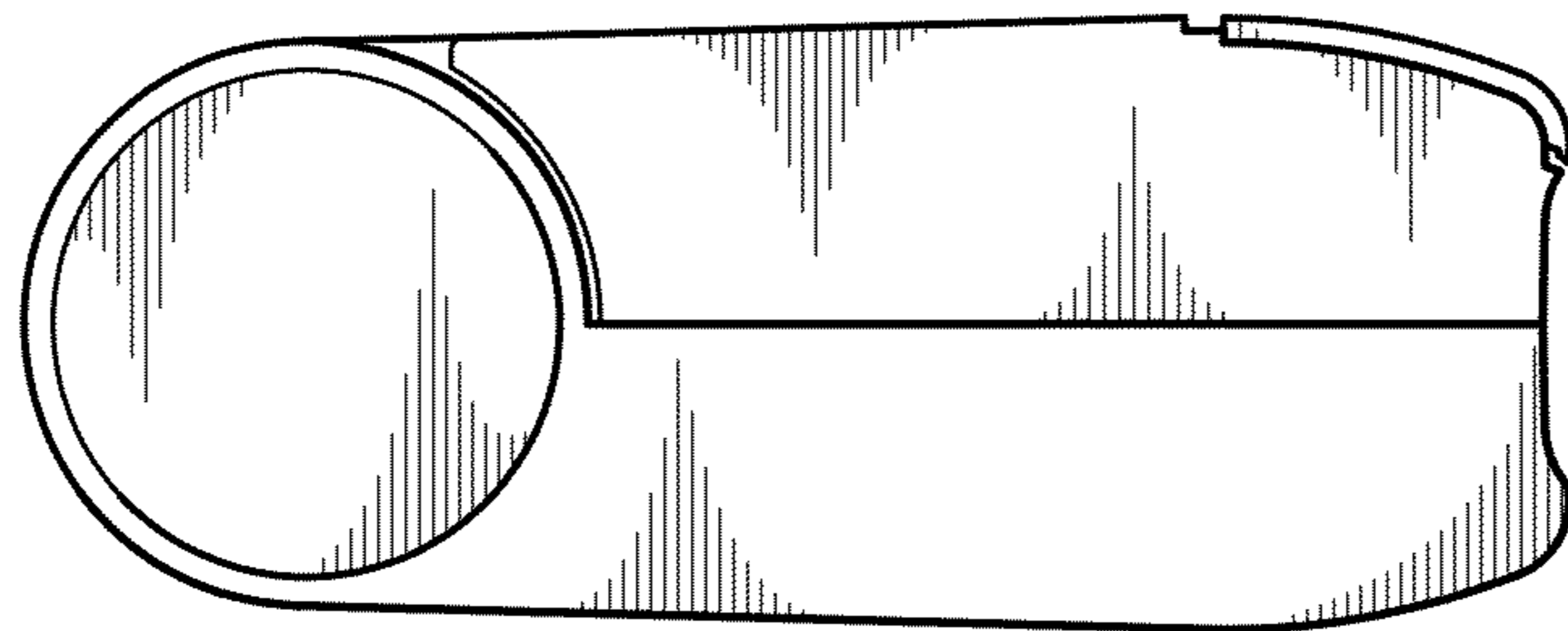


Fig. 7

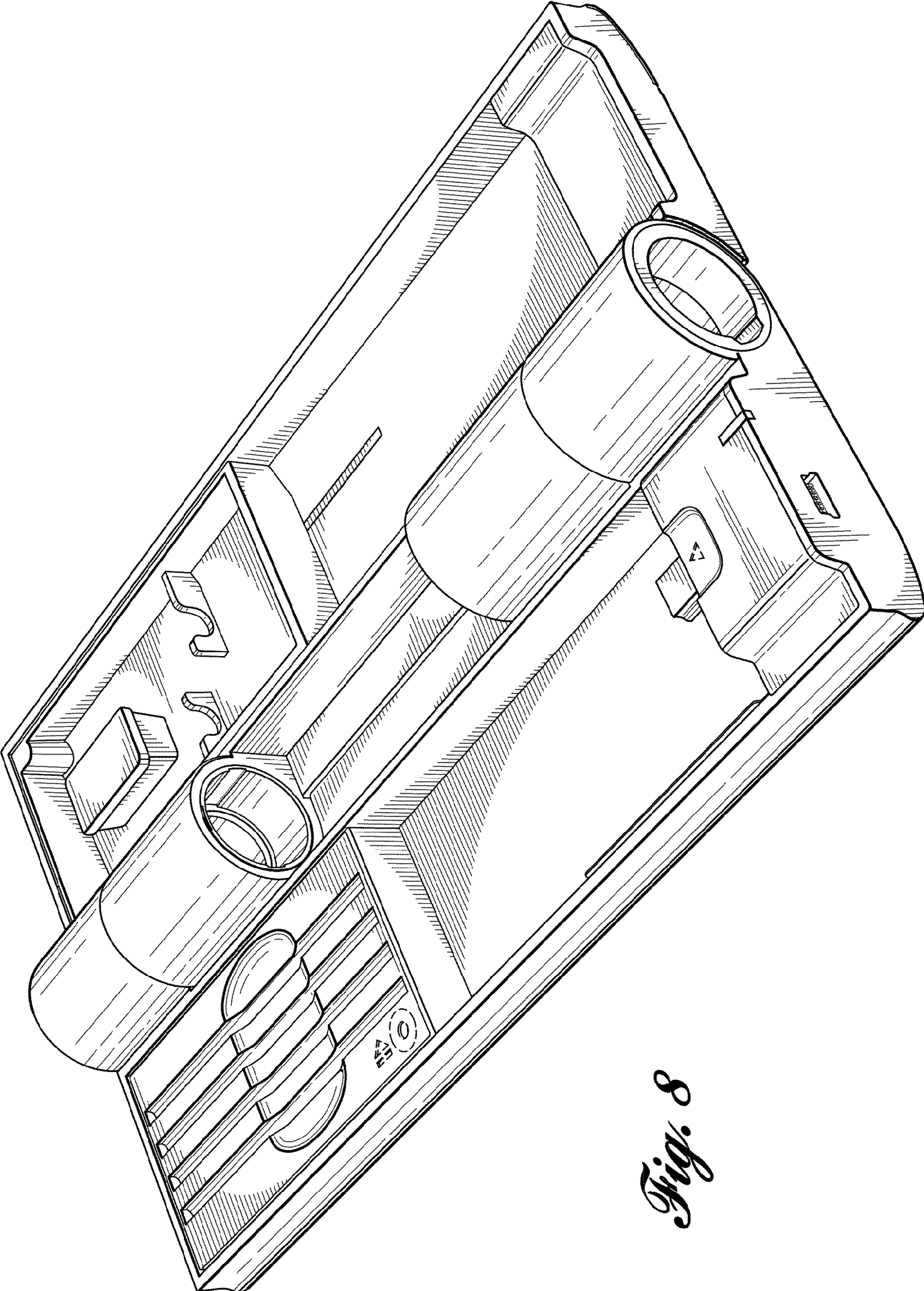


Fig. 8

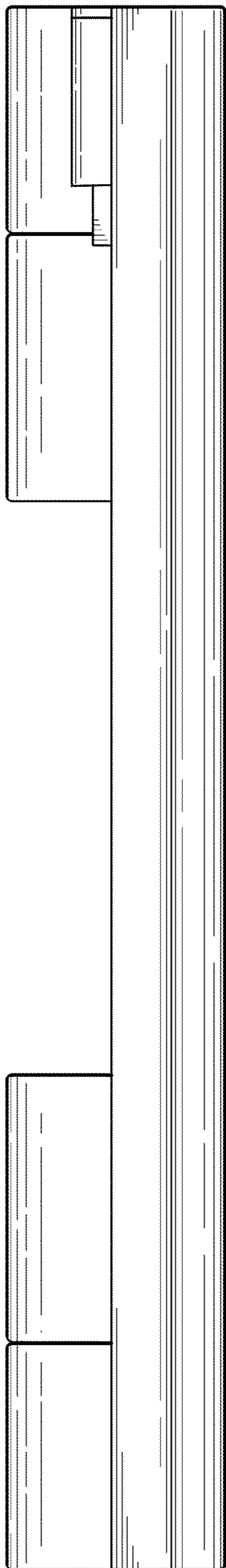


Fig. 9

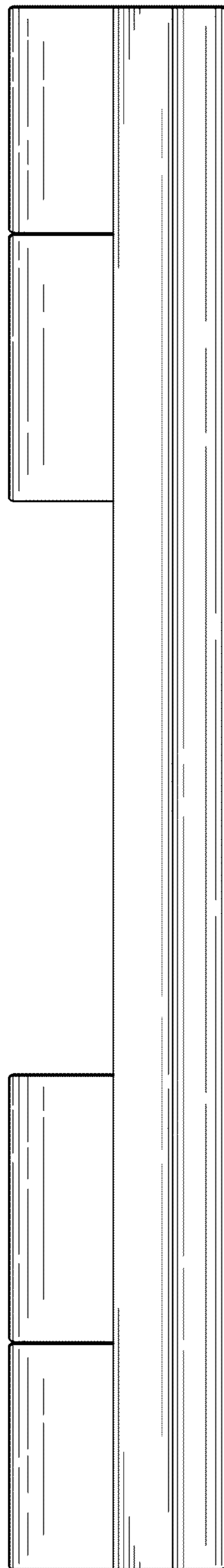


Fig. 10

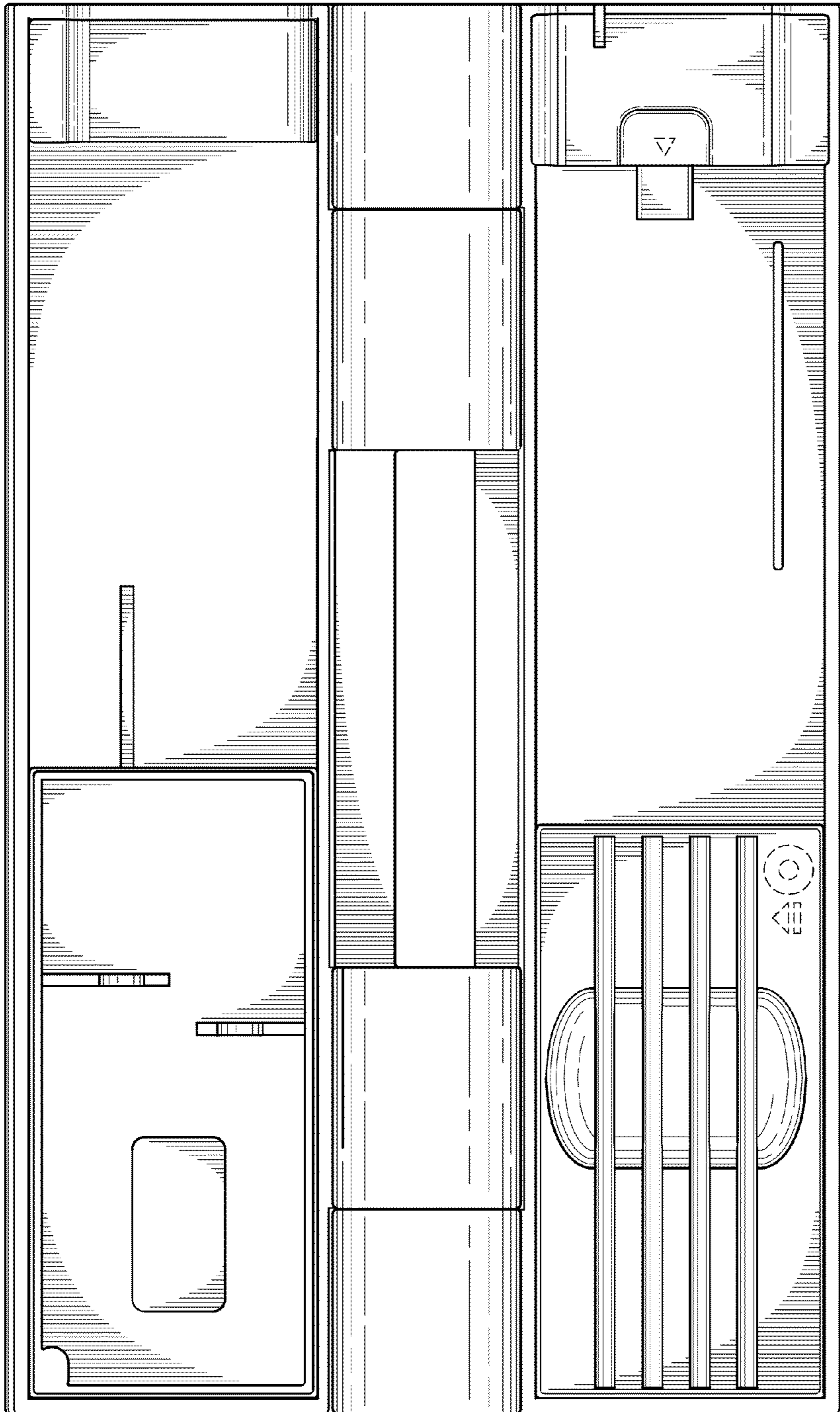


Fig. 11

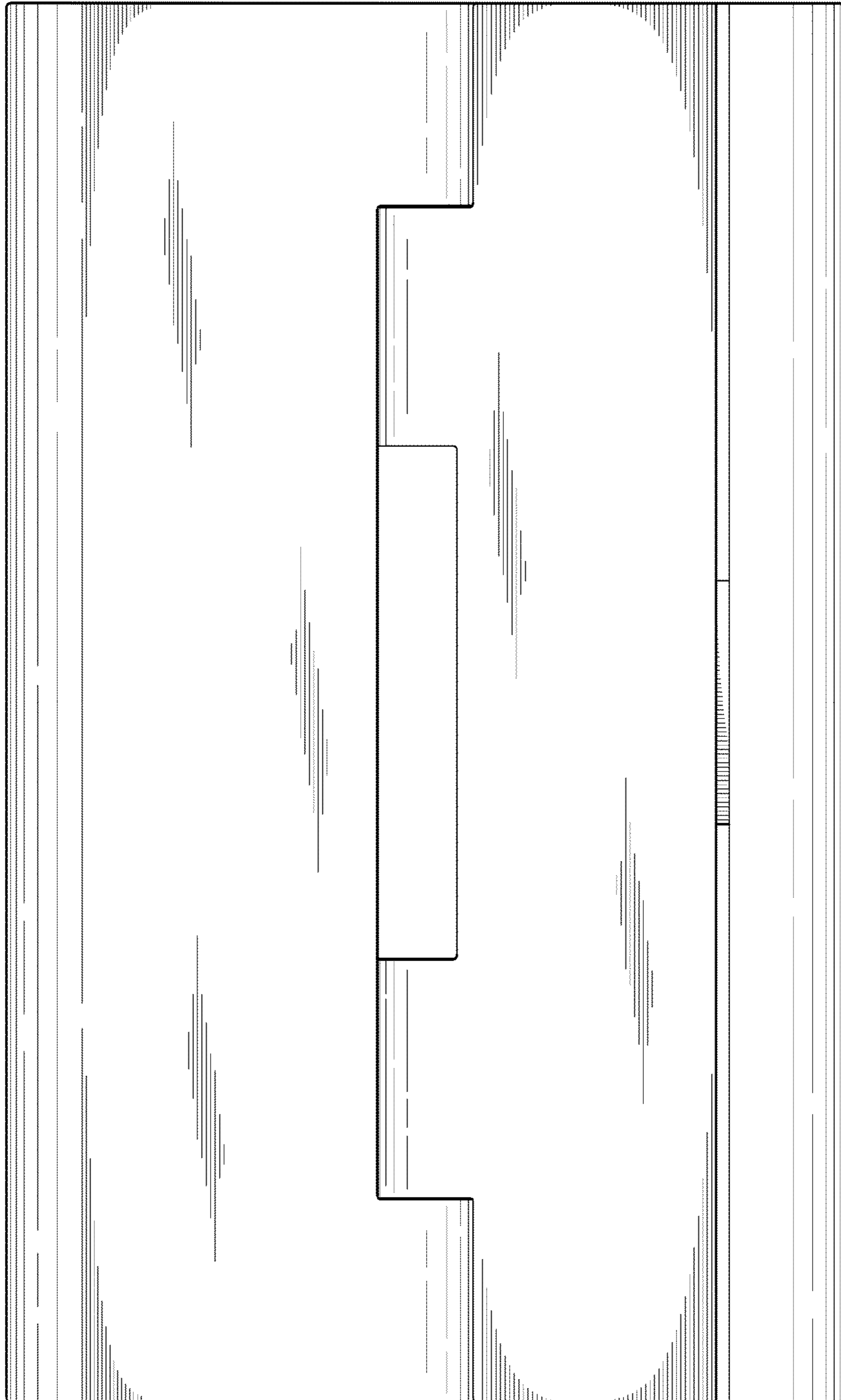


Fig. 12

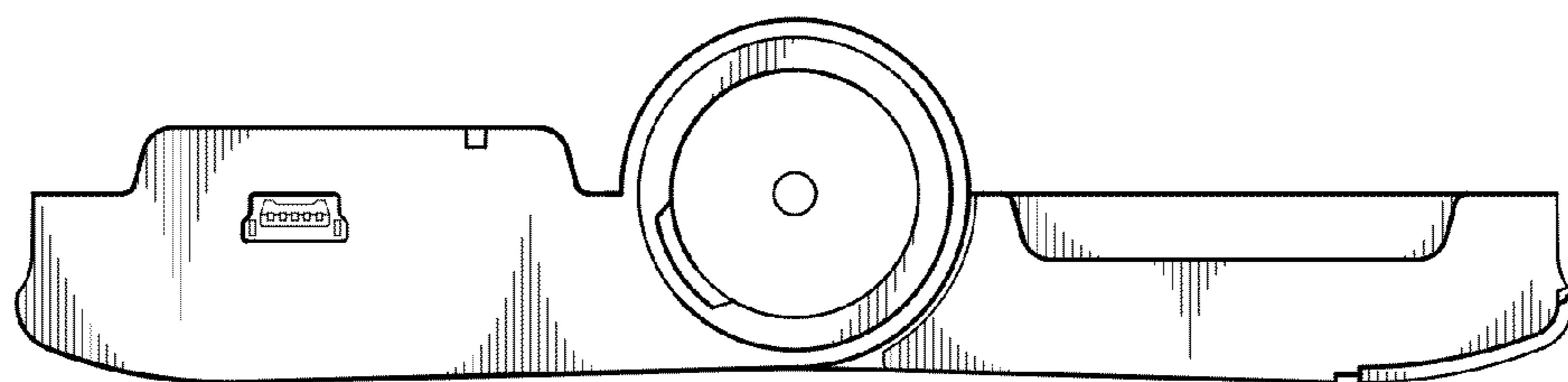


Fig. 13

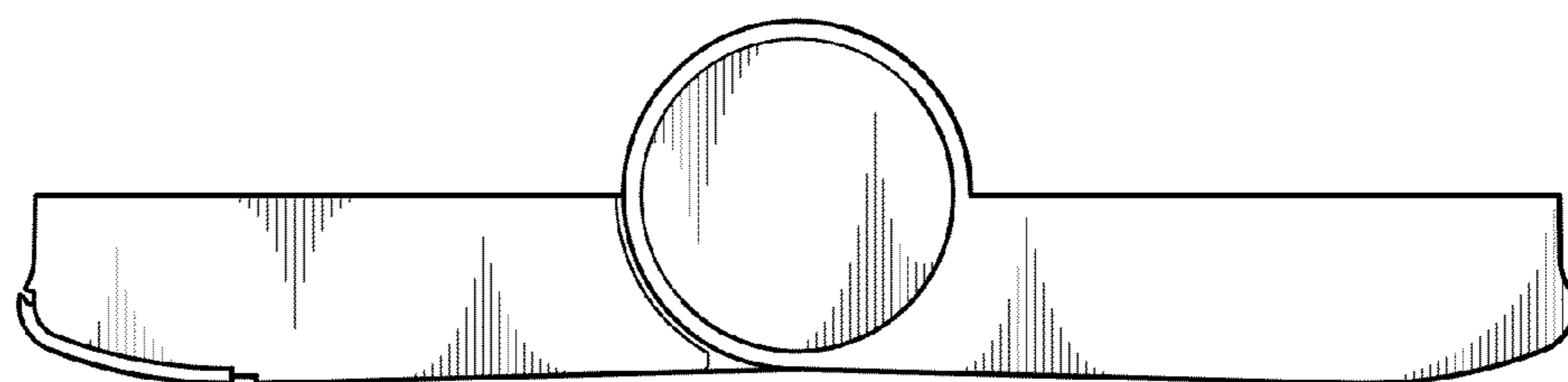


Fig. 14

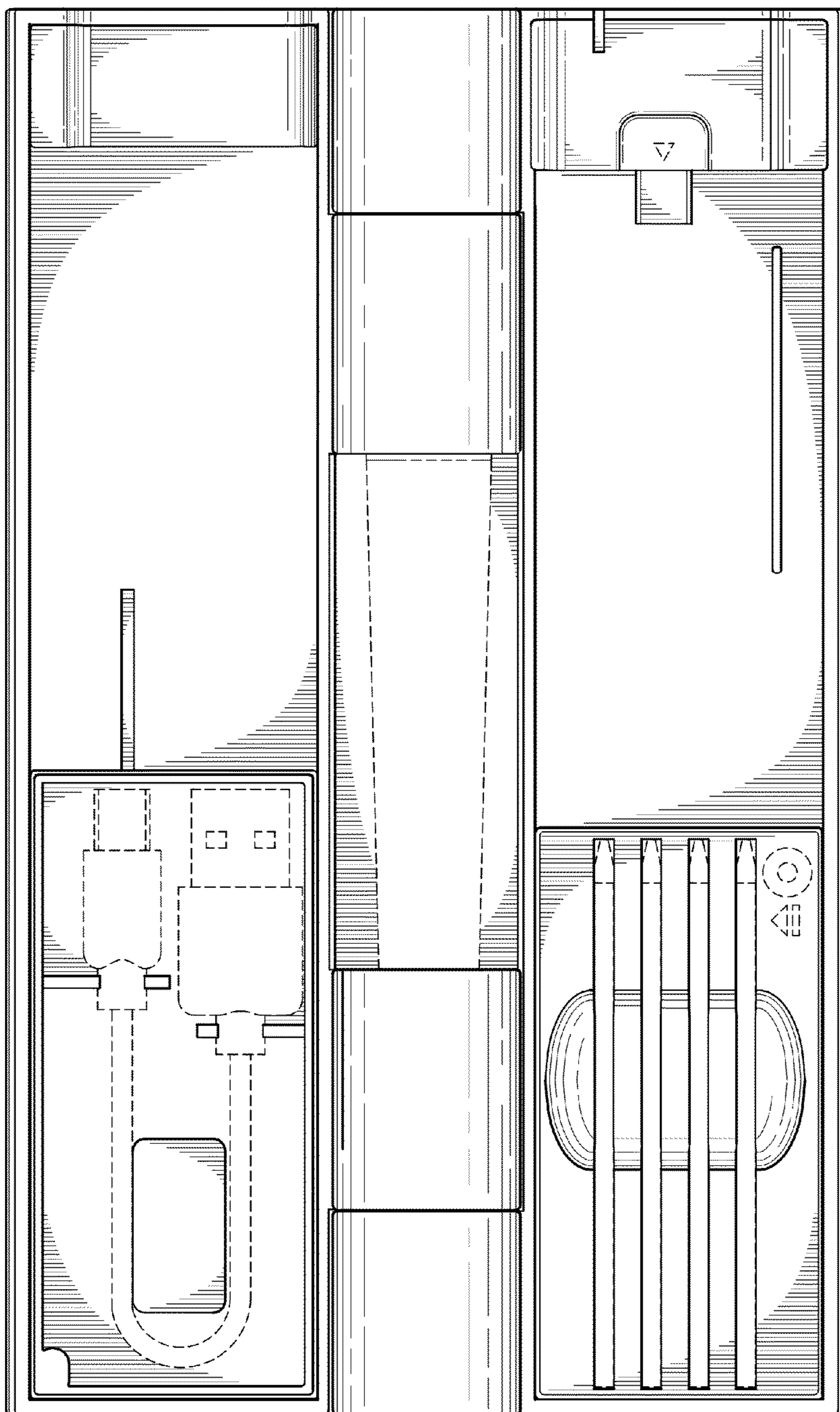


Fig. 15

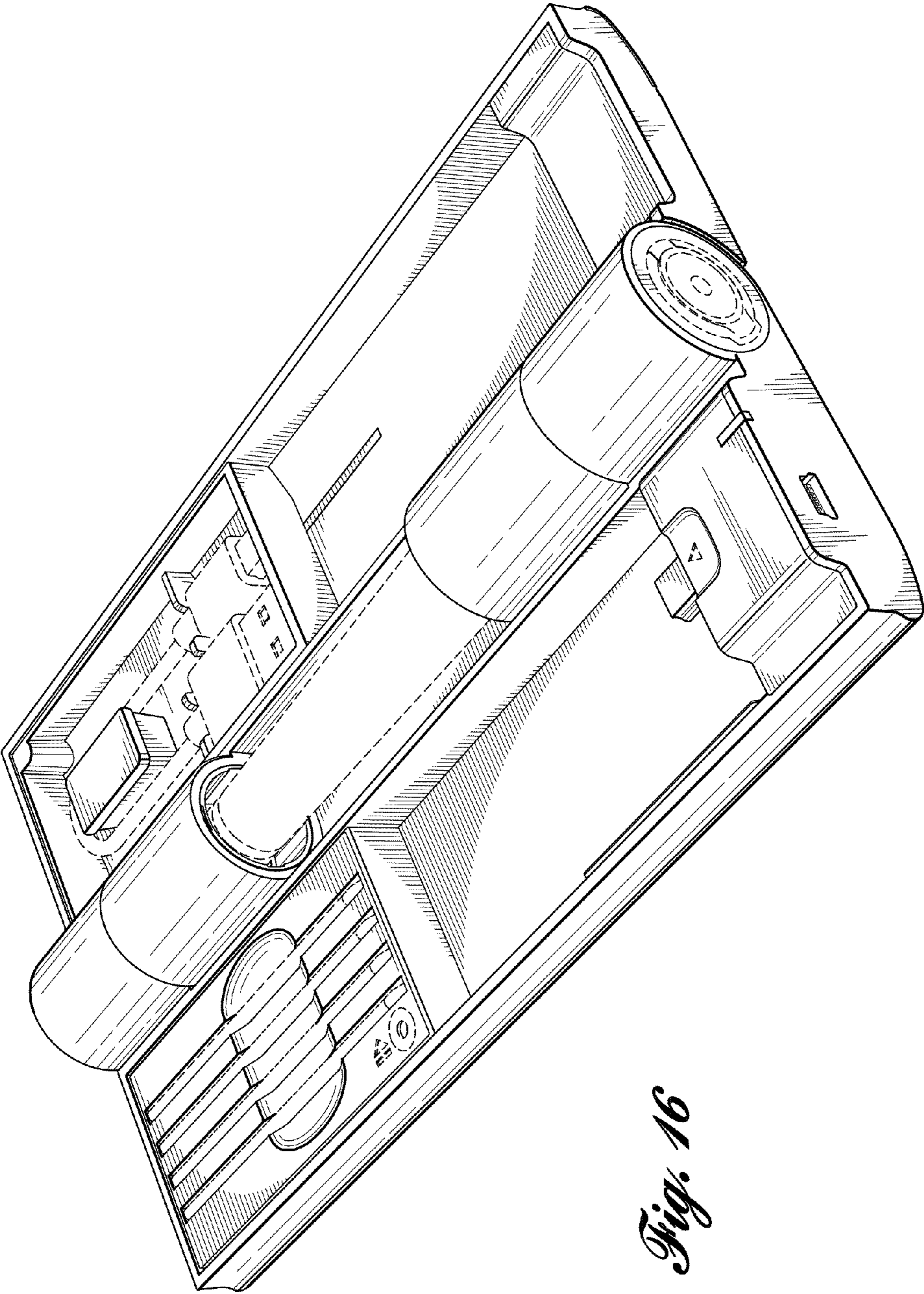


Fig. 16