



US00D693819S

(12) **United States Design Patent**  
**Cocquyt**

(10) **Patent No.:** **US D693,819 S**  
(45) **Date of Patent:** **\*\* Nov. 19, 2013**

(54) **PROTECTIVE CORNER COVER FOR A  
HANDHELD ELECTRONIC DEVICE**

(71) Applicant: **Jos Cocquyt**, San Francisco, CA (US)

(72) Inventor: **Jos Cocquyt**, San Francisco, CA (US)

(\*\*) Term: **14 Years**

(21) Appl. No.: **29/452,206**

(22) Filed: **Apr. 12, 2013**

(51) **LOC (9) Cl.** ..... **14-02**

(52) **U.S. Cl.**  
USPC ..... **D14/439**

(58) **Field of Classification Search**

USPC ..... D14/300–302, 308–313, 314, 348,  
D14/353–355, 432, 439–446, 447, 451;  
361/679.02, 679.31, 679.5, 690, 694,  
361/679.23, 801, 802; 312/332.1, 334.1;  
D19/65, 91; D3/218; D8/354; D12/193

See application file for complete search history.

(56) **References Cited**

**U.S. PATENT DOCUMENTS**

D246,625	S *	12/1977	Becker, III	.....	D8/403
D416,684	S *	11/1999	Nykoluk	.....	D3/321
6,470,637	B2 *	10/2002	Gratz	.....	52/287.1
6,616,111	B1 *	9/2003	White	.....	248/309.1
D487,205	S *	3/2004	Mower et al.	.....	D6/491
7,350,646	B2 *	4/2008	Durrant	.....	206/586
D578,537	S *	10/2008	Tsukahara	.....	D14/439
D590,401	S *	4/2009	Mandel	.....	D14/439
D623,651	S *	9/2010	Hsu	.....	D14/439
D641,354	S *	7/2011	Hsu	.....	D14/341
D649,964	S *	12/2011	Chikuma et al.	.....	D14/315
2002/0085342	A1 *	7/2002	Chen et al.	.....	361/683
2007/0039848	A1 *	2/2007	Burchell	.....	206/453

**OTHER PUBLICATIONS**

Buism, "Shock-Absorbent Corner Protector for Portable Devices,"  
retrieved from URL=<http://buism.com/cornerprotector.htm>, on Jun.  
6, 2013, 3 pages.

Bummpies, "bummpies—Reclaim Your Phone," retrieved from  
URL=<http://www.bummpies.com/>, on Jun. 6, 2013, 1 page.

Core77, "Two of a Kind: Ultraminimal iPhone 5 Cases," retrieved  
from URL=[http://www.core77.com/blog/cases/two\\_of\\_a\\_kind\\_ultraminimal\\_iphone\\_5\\_cases\\_24002.asp](http://www.core77.com/blog/cases/two_of_a_kind_ultraminimal_iphone_5_cases_24002.asp), on Jun. 6, 2013, 5  
pages.

Cornerbuddies, "So what is Corner Buddies?" retrieved from  
URL=<http://cornerbuddies.wordpress.com/2010/11/03/so-whats-corner-buddies/>, on Jun. 6, 2013, 2 pages.

corners4, "corners4™ Launches Minimalist Smartphone Case That  
Offers Protection with Unique Style," retrieved from URL=<http://www.corners4.com/pressrelease02152013.html>, on Jun. 6, 2013, 1  
page.

(Continued)

*Primary Examiner* — Austin Murphy

(74) *Attorney, Agent, or Firm* — Seed IP Law Group PLLC

(57) **CLAIM**

The ornamental design for a protective corner cover for a  
handheld electronic device, as shown and described.

**DESCRIPTION**

FIG. 1 is a front perspective view of my new protective corner  
cover;

FIG. 2 is back perspective view thereof;

FIG. 3 is a front view thereof;

FIG. 4 is a back view thereof;

FIG. 5 is a left view thereof;

FIG. 6 is a right view thereof;

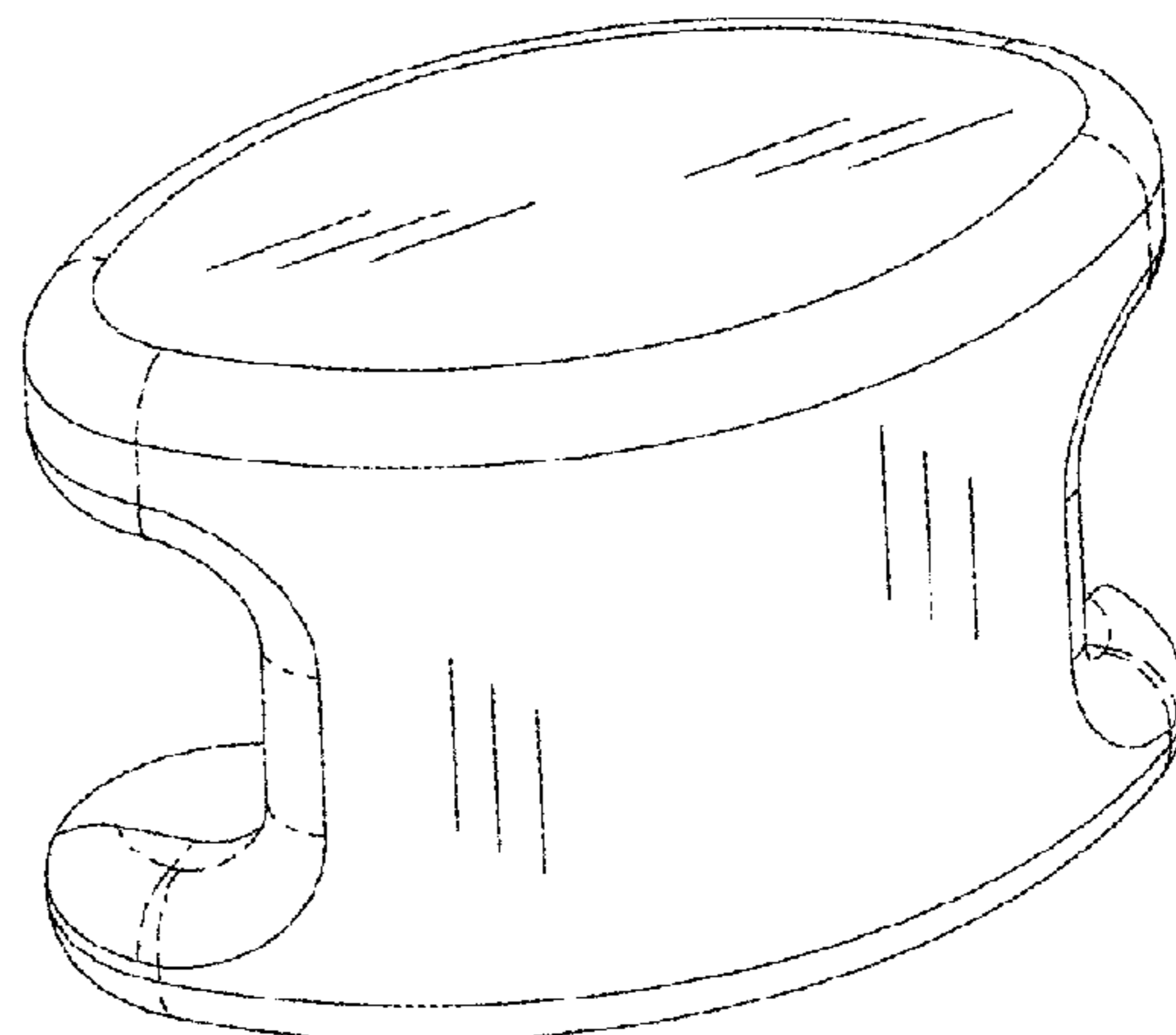
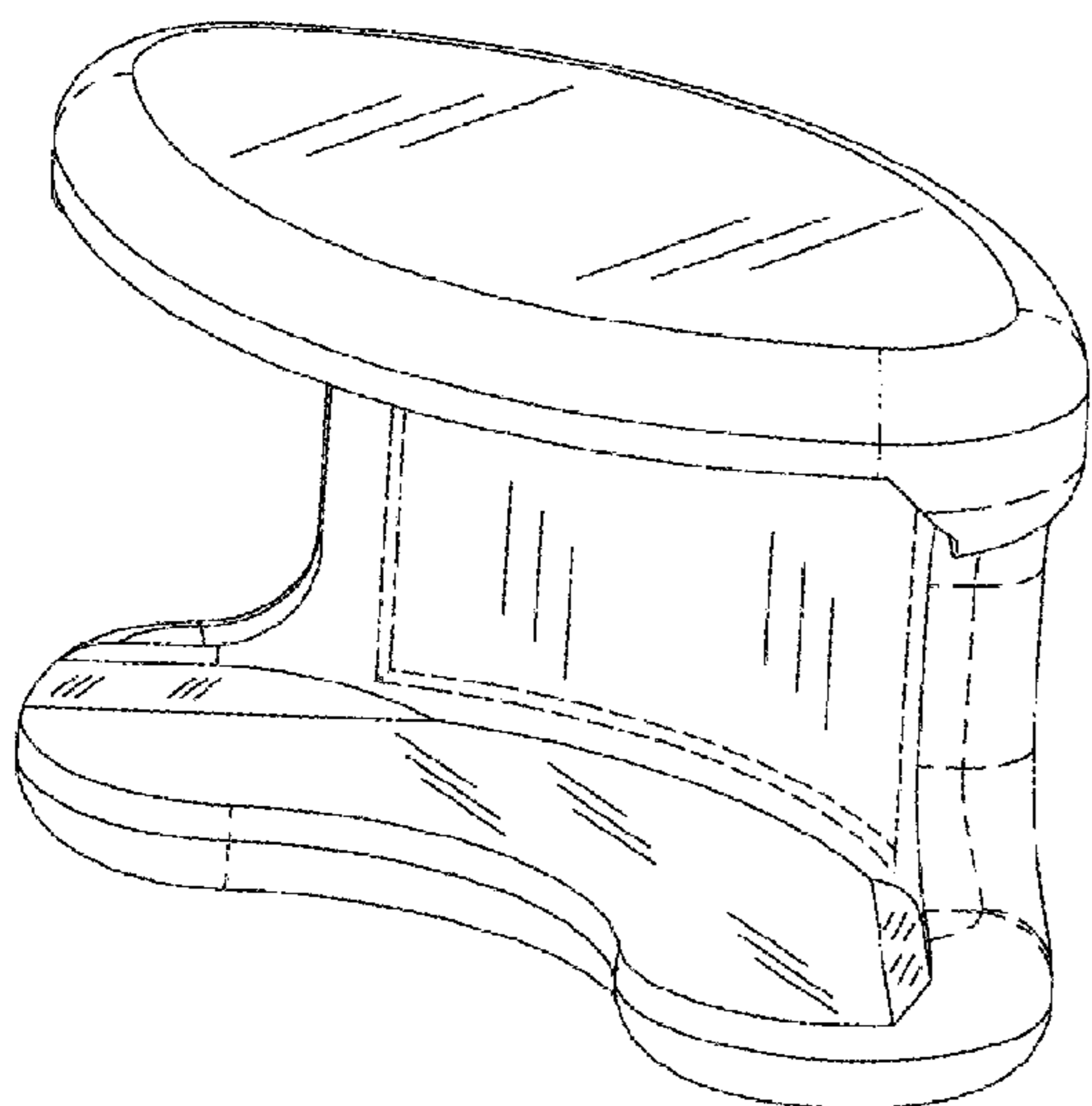
FIG. 7 is a top view thereof;

FIG. 8 is a bottom view thereof; and,

FIG. 9 is a perspective view of four of the protective corner  
covers on a handheld electronic device.

The broken lines in the figures are for illustrative purposes  
only and form no part of the claimed design.

**1 Claim, 9 Drawing Sheets**



(56)

**References Cited**

OTHER PUBLICATIONS

corners4, “Welcome to corners4™—Protection with Style,” retrieved from URL=<http://www.corners4.com/index.html>, on Jun. 6, 2013, 1 page.

iBallz, “Apple iPad Case and Android tablet bumper guard | The best drop protection for tablets | i . . .,” retrieved from URL=<http://www.iballz.info/>, on Jun. 6, 2013, 2 pages.

iSmashPhone, “How To: DIY Fall Proof “Bumber” Corners,” retrieved from URL=<http://ismashphone.com/2010/07/how-to-diy-fall-proof-bumber-corners.html>, on Jun. 6, 2013, 4 pages.

Kickstarter, “iPhone Bumpies . . . Reclaim Your Phone! (Canceled),” retrieved from URL=<http://www.kickstarter.com/projects/172187599/iphone-bumpiesreclaim-your-phone>, on Jun. 6, 2013, 17 pages.

\* cited by examiner

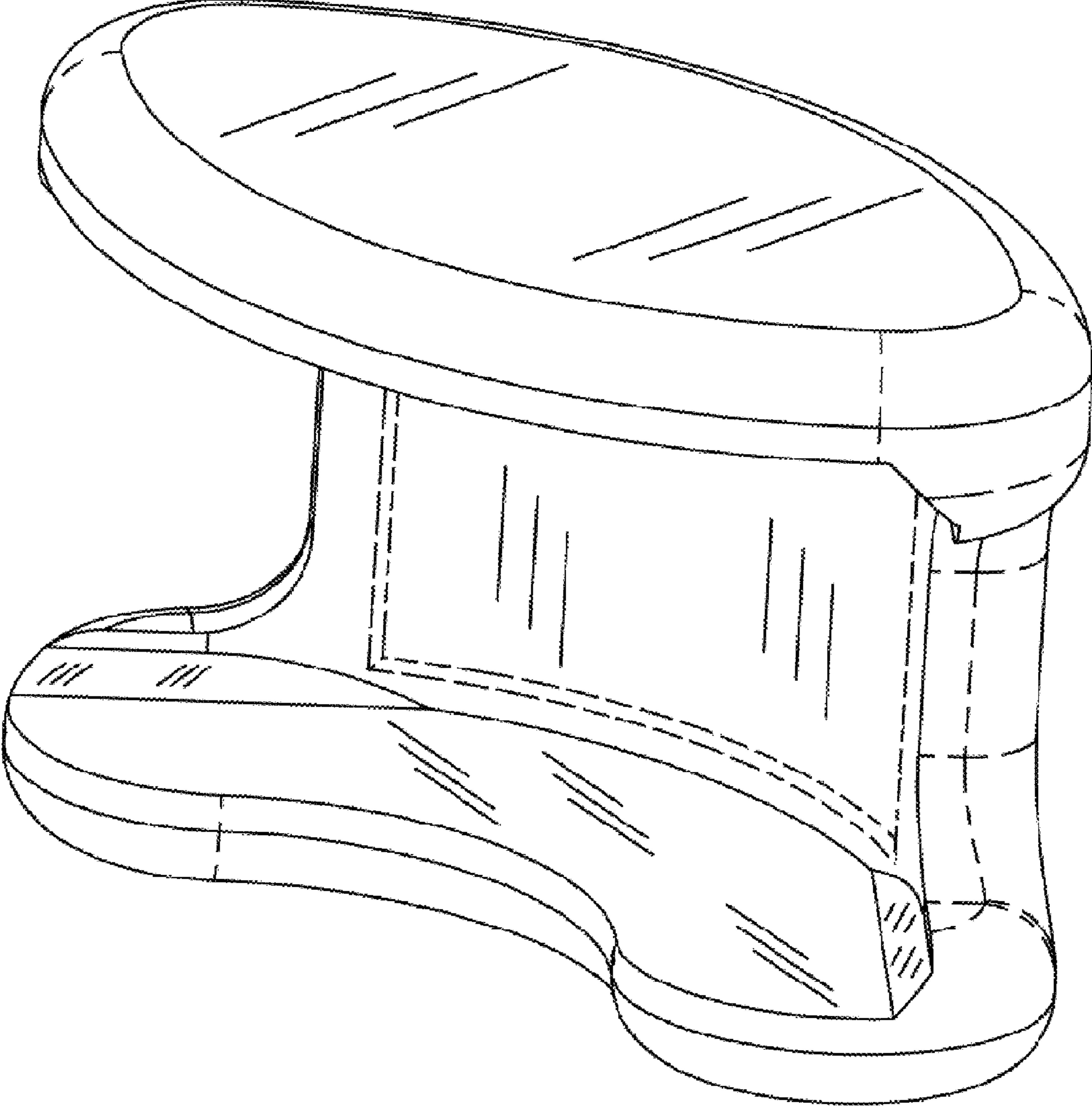


Fig. 1

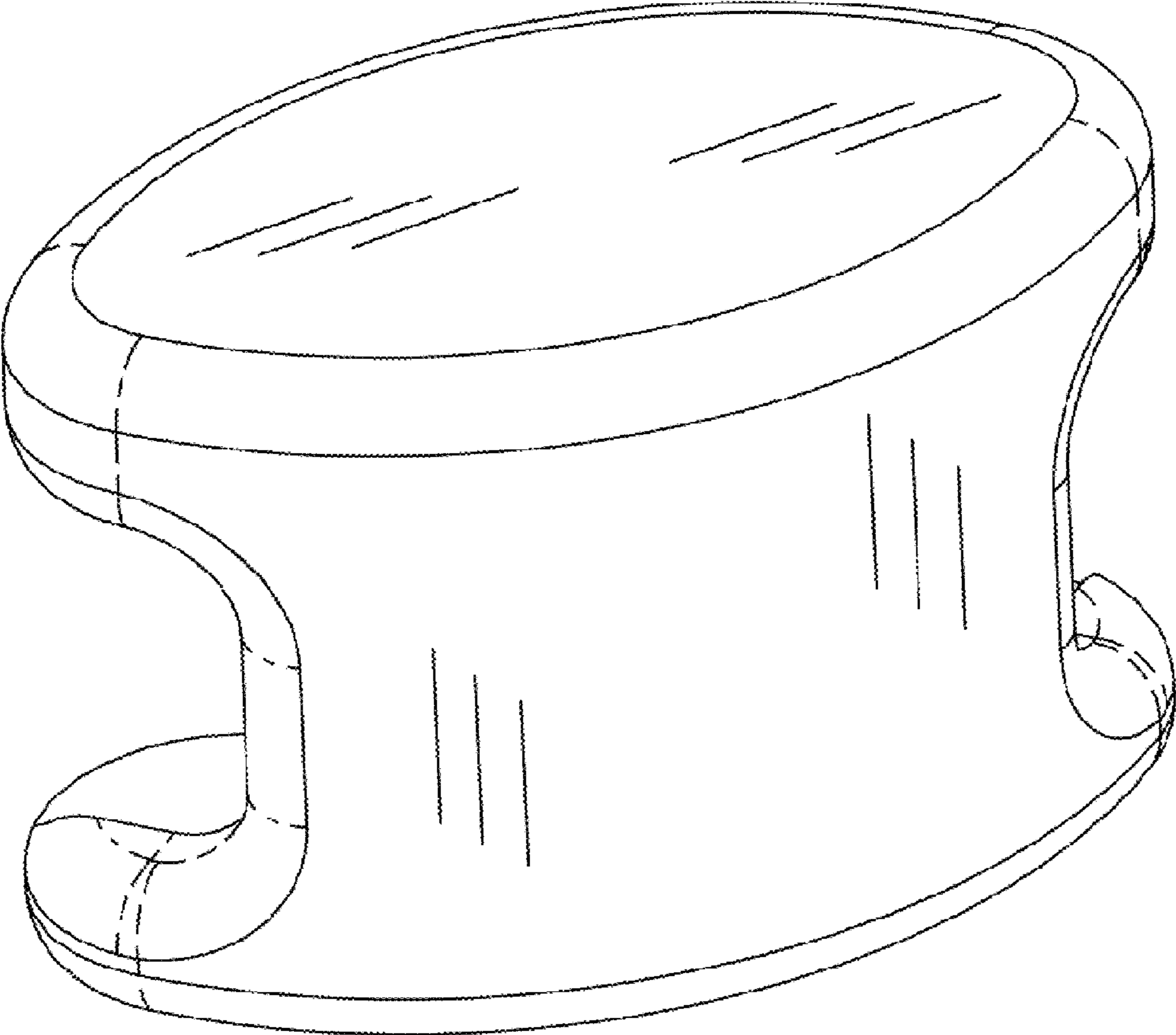


Fig.2

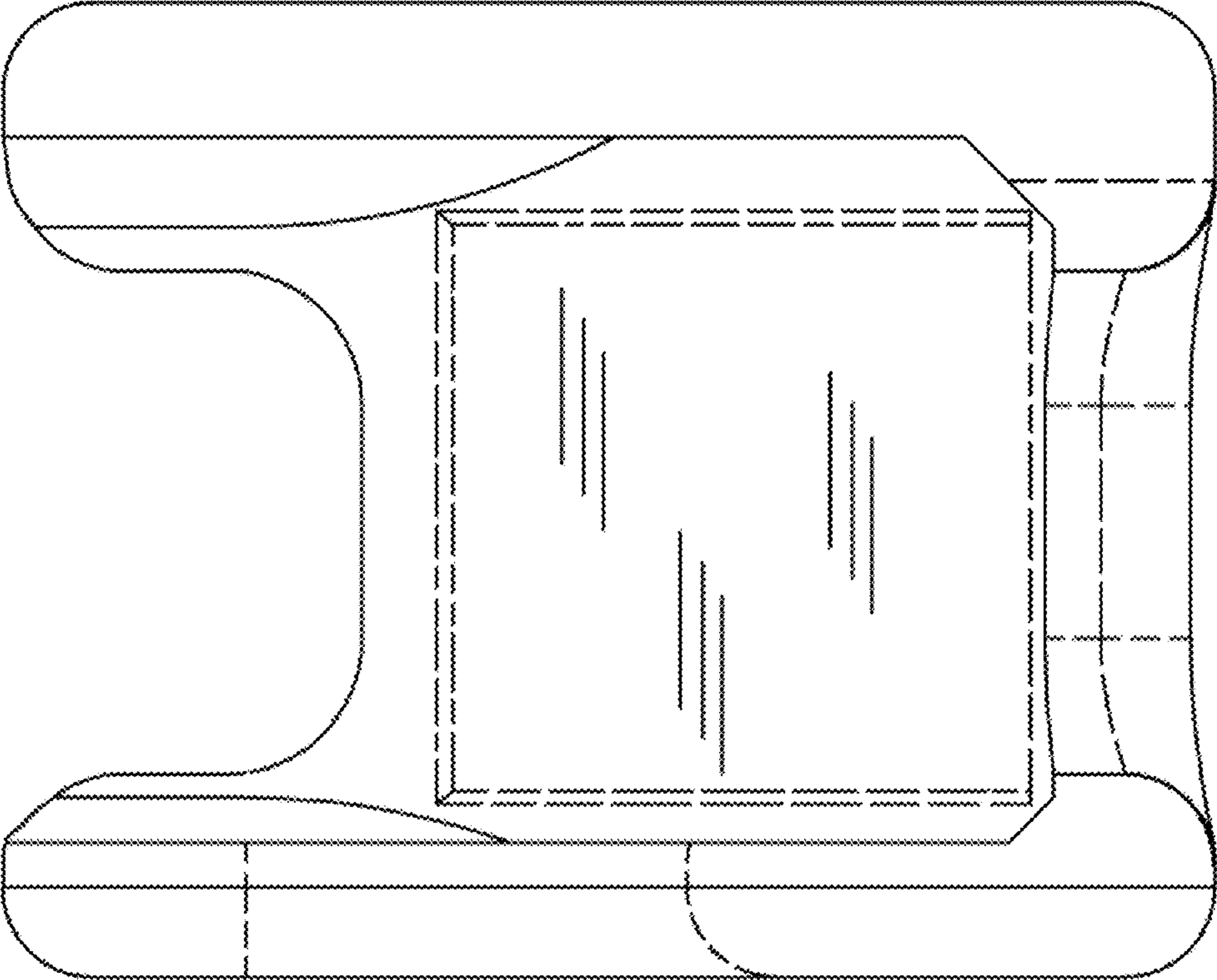


Fig. 3



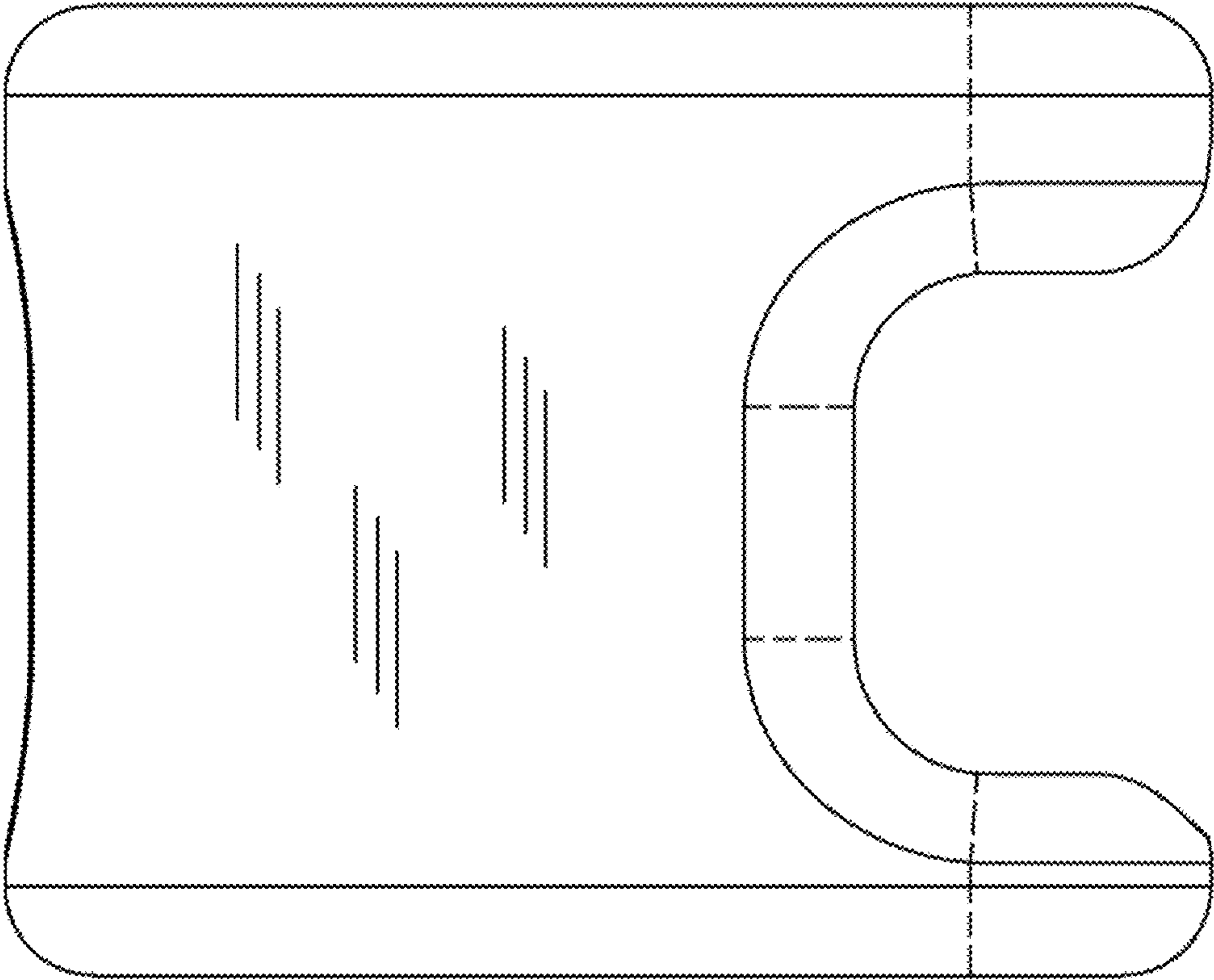


Fig. 4

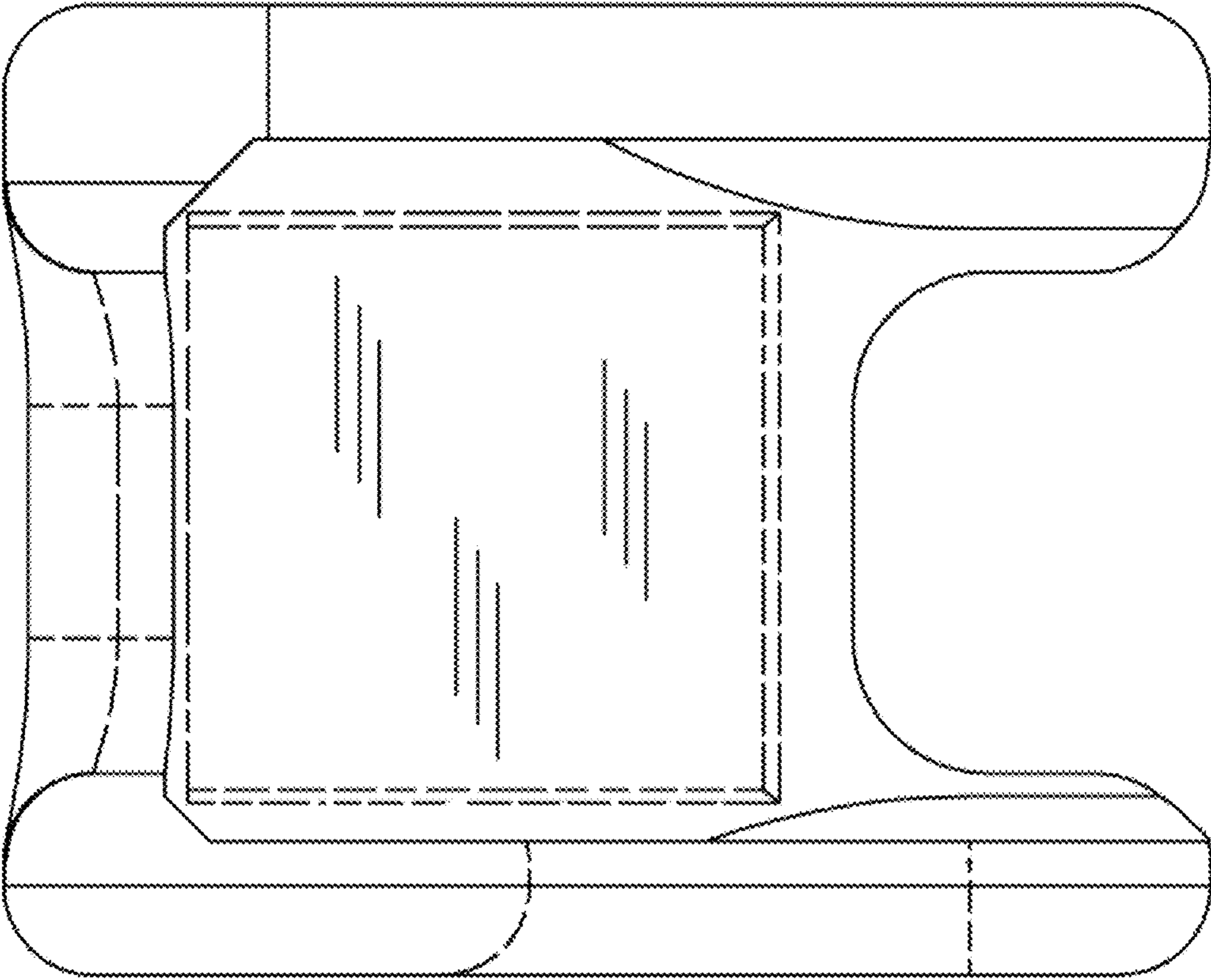


Fig. 5

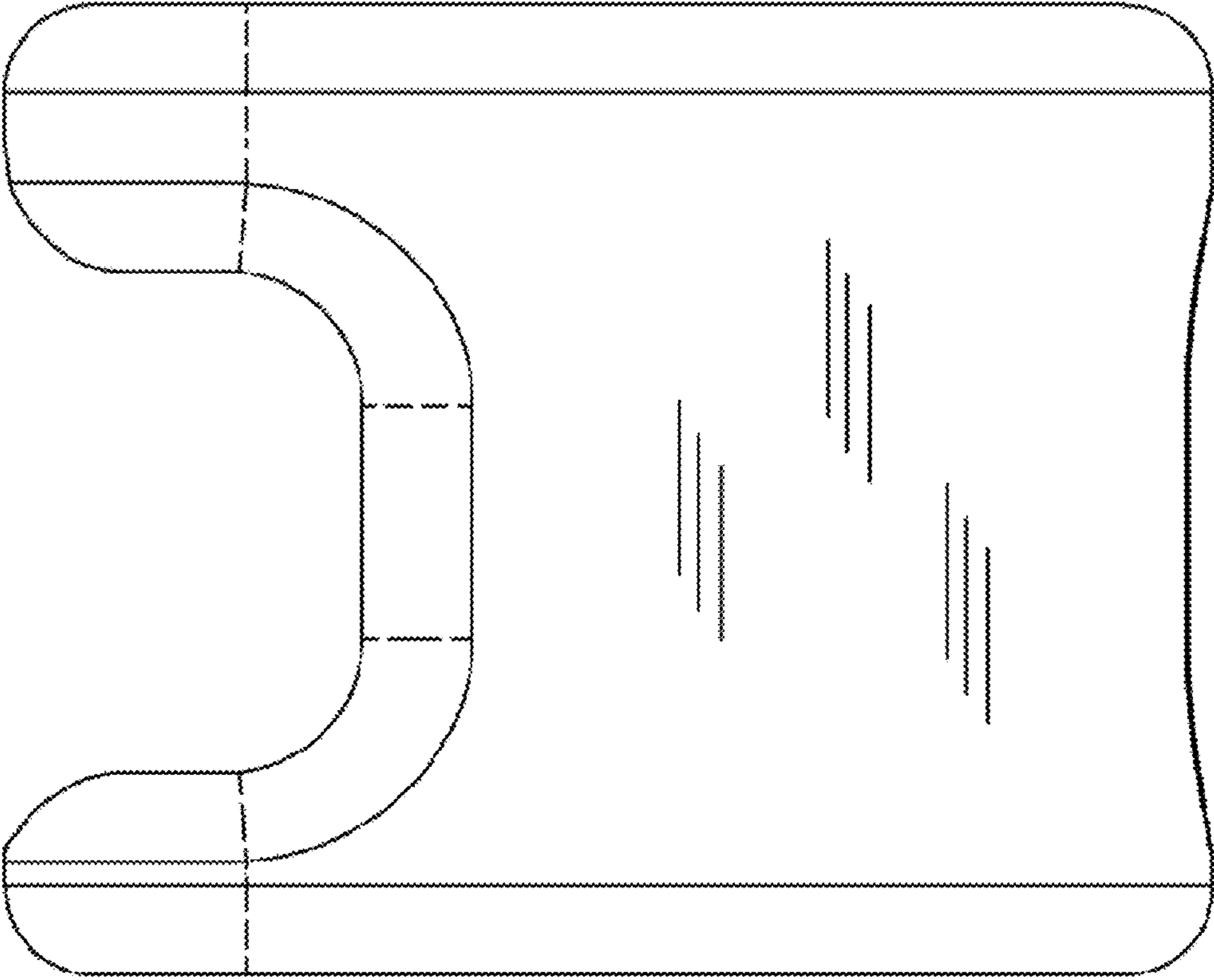


Fig. 6



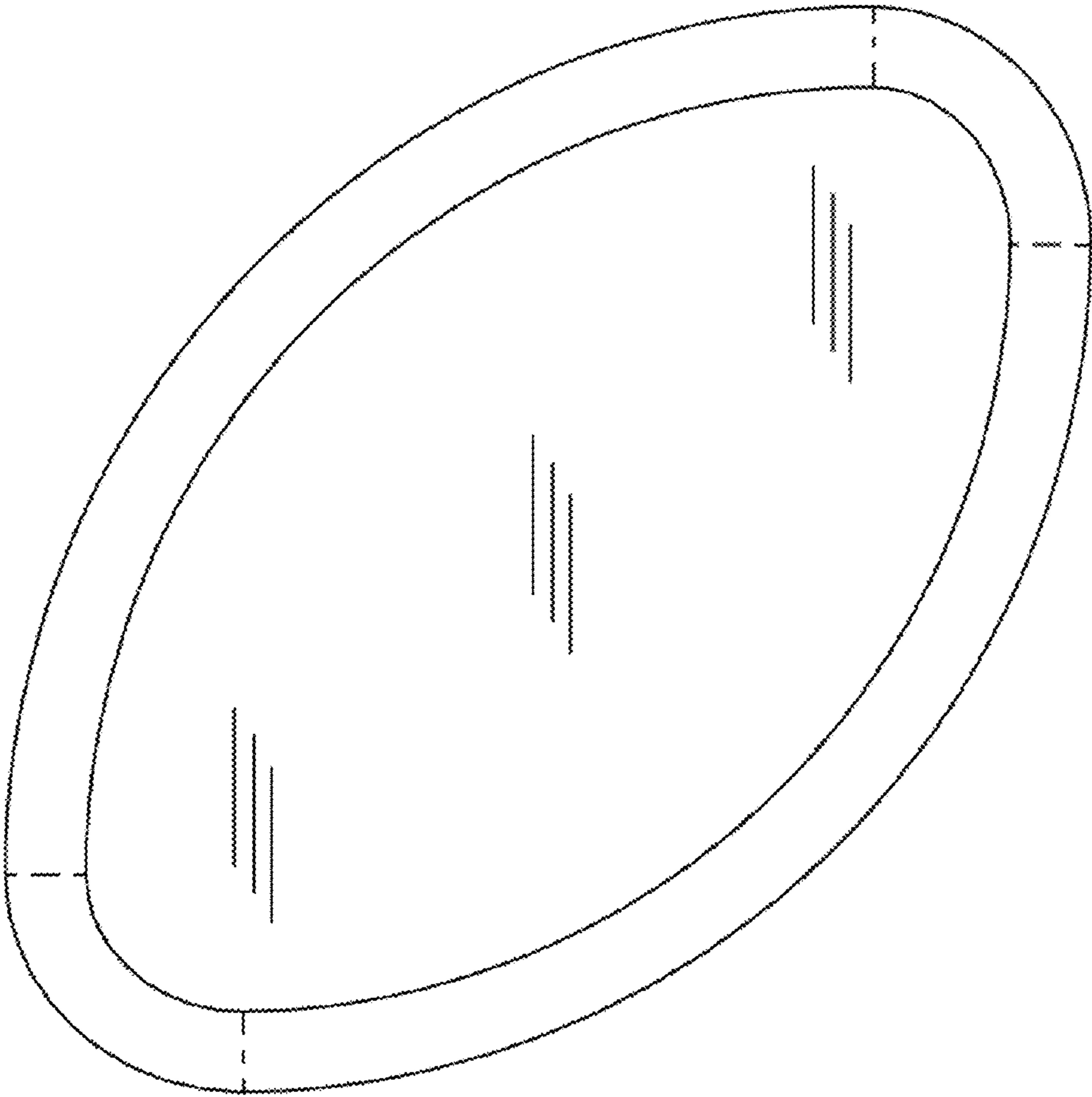


Fig. 7

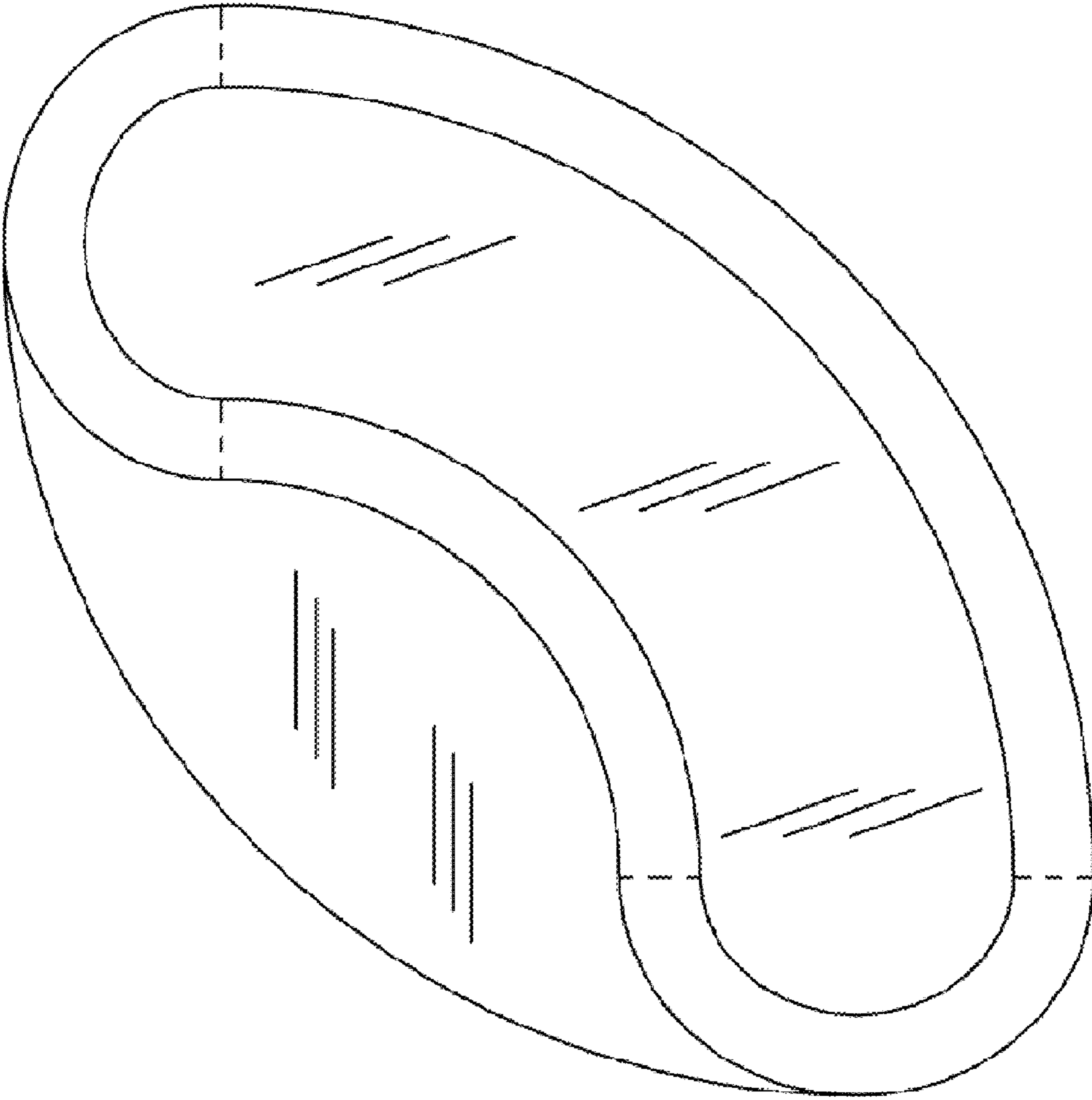


Fig. 8

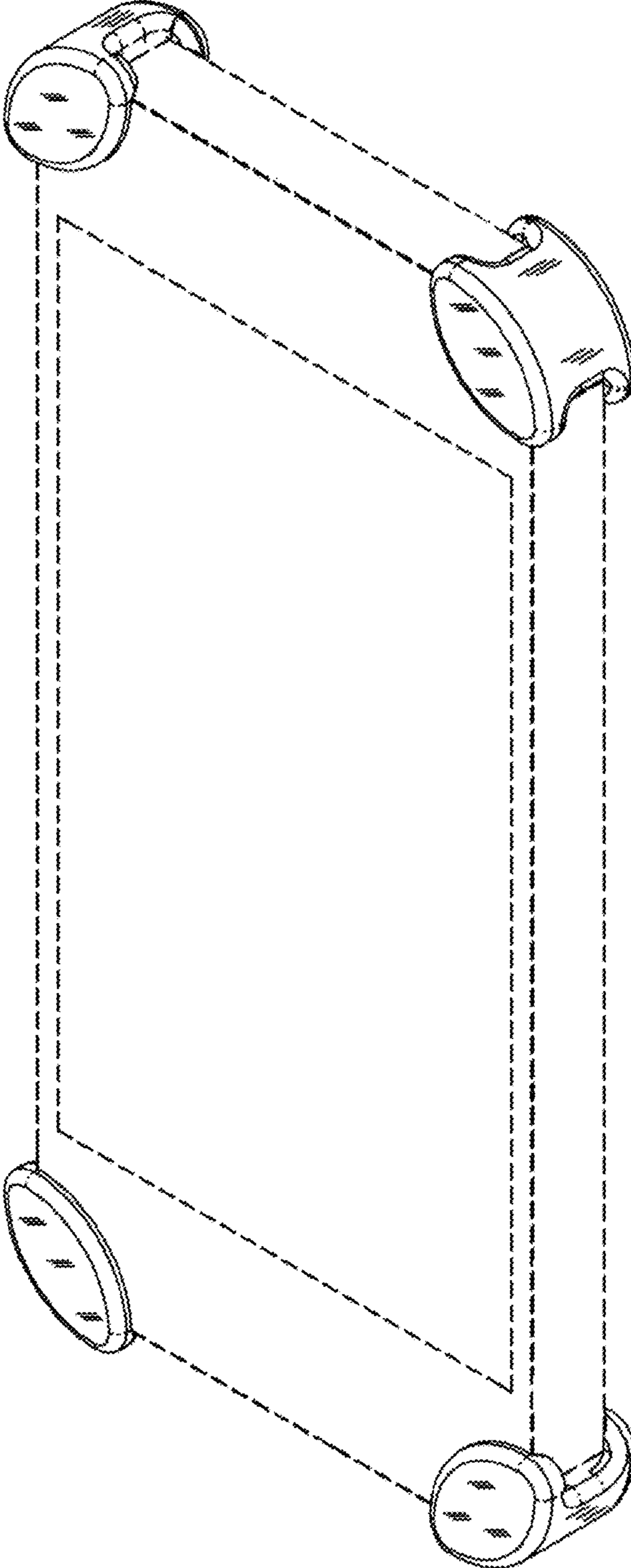


Fig. 9