



US00D693811S

(12) **United States Design Patent**
Augustin, Jr. et al.

(10) **Patent No.:** **US D693,811 S**

(45) **Date of Patent:** **** Nov. 19, 2013**

(54) **GUN VIDEO GAME CONTROLLER WITH SCOPE**

(56) **References Cited**

U.S. PATENT DOCUMENTS

(75) Inventors: **Casimero Augustin, Jr.**, Santa Clara, CA (US); **Patrick Kelly**, Eden Prairie, MN (US); **Yat Lam Lee**, Mountain View, CA (US); **Timothy May**, Eden Prairie, MN (US); **Jeffrey Muench**, Eden Prairie, MN (US); **Jason Ness**, Eden Prairie, MN (US); **Yuk On Chan**, Mountain View, CA (US); **Christopher Owen**, Eden Prairie, MN (US); **Louis Polk, III**, Eden Prairie, MN (US); **Caleb Summers**, Eden Prairie, MN (US); **Stephen N. Withers**, Santa Clara, CA (US)

D243,111 S	1/1977	Barthropp	
D245,444 S	8/1977	Hotchkiss	
D247,714 S	4/1978	Clifford	
D249,800 S	10/1978	Yates et al.	
D251,914 S	5/1979	Romano	
D251,979 S	5/1979	Hance	
D253,485 S	11/1979	Robinson	
D253,544 S	11/1979	Elbe	
4,175,747 A *	11/1979	Hudson	463/49
D258,166 S	2/1981	Barthropp	

(Continued)

FOREIGN PATENT DOCUMENTS

WO WO 2007/143632 12/2007

Primary Examiner — Prabhakar Deshmukh

(74) *Attorney, Agent, or Firm* — Klein, O'Neill & Singh, LLP

(73) Assignee: **Activision Publishing, Inc.**, Santa Monica, CA (US)

(**) Term: **14 Years**

(57) **CLAIM**

The ornamental design for a gun video game controller with scope, as shown and described.

(21) Appl. No.: **29/417,705**

DESCRIPTION

(22) Filed: **Apr. 6, 2012**

Related U.S. Application Data

(63) Continuation of application No. 29/384,602, filed on Feb. 1, 2011, now abandoned.

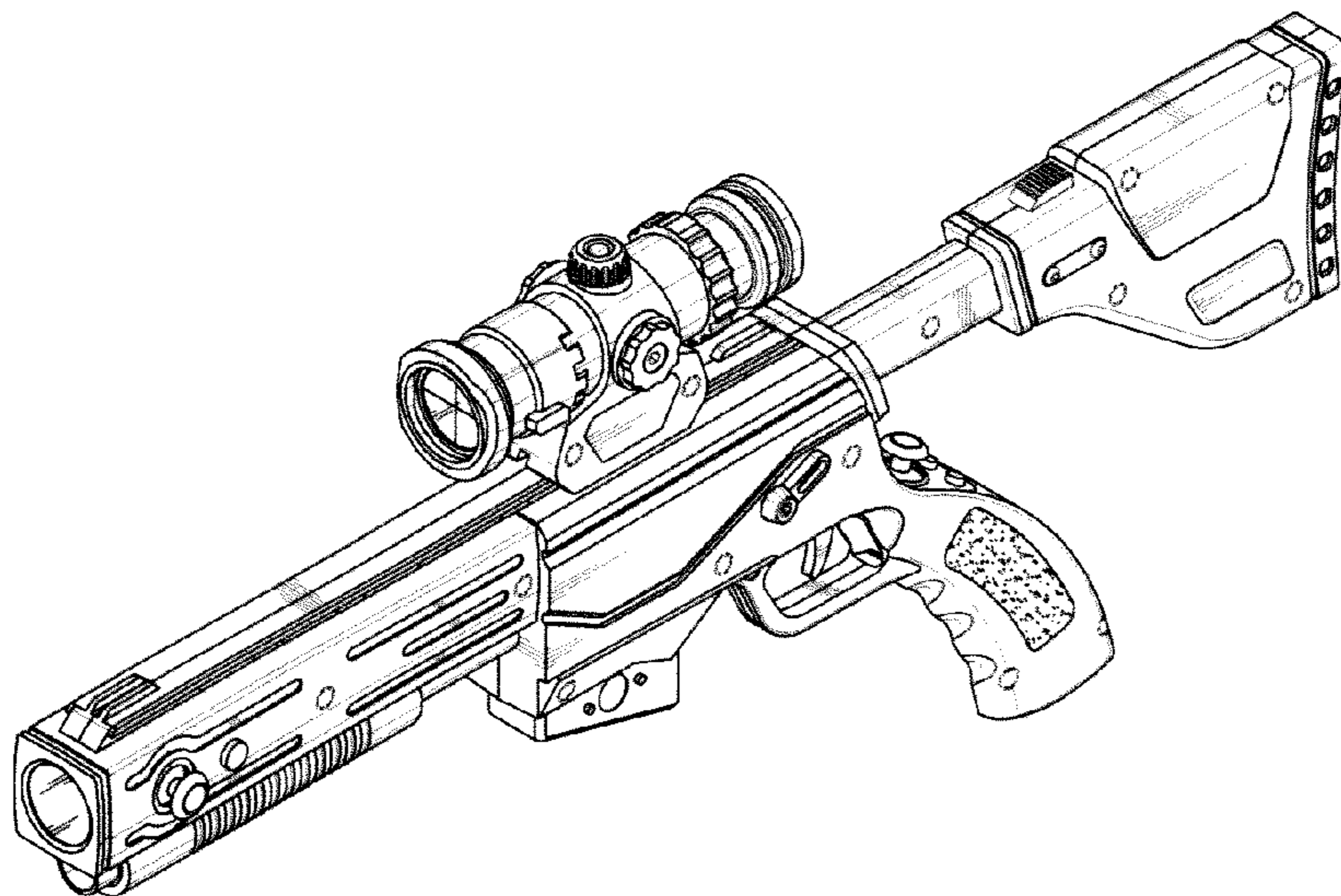
(51) **LOC (9) Cl.** **21-01**

(52) **U.S. Cl.**
USPC **D14/418; D21/332**

(58) **Field of Classification Search**
USPC D14/399-402, 418, 496; D21/324, 328, D21/333, 573, 575, 332; 273/148 B, 440, 273/459, 460; 463/1, 30-36, 46, 47; 345/156, 161; 434/16, 18, 19, 20, 24
See application file for complete search history.

FIG. 1 is a perspective view of a gun video game controller with scope in accordance with our design;
FIG. 2 is a left side view of the gun video game controller with scope of FIG. 1;
FIG. 3 is a top view of the gun video game controller with scope of FIG. 1;
FIG. 4 is a right side view of the gun video game controller with scope of FIG. 1;
FIG. 5 is a bottom view of the gun video game controller with scope of FIG. 1;
FIG. 6 is a front view of the gun video game controller with scope of FIG. 1; and,
FIG. 7 is a rear view of the gun video game controller with scope of FIG. 1.

1 Claim, 2 Drawing Sheets



(56)

References Cited

U.S. PATENT DOCUMENTS

D258,304 S	2/1981	Charcornac	D423,610 S	4/2000	Lebensfeld et al.
4,296,929 A	10/1981	Meyer et al.	D433,074 S	10/2000	Clemmer
4,322,080 A	3/1982	Pennington	D436,108 S *	1/2001	Lee D14/418
D267,574 S	1/1983	Barthropp	6,196,919 B1	3/2001	Okubo
4,750,641 A *	6/1988	Chin-Fu 222/79	6,261,180 B1	7/2001	Lebensfeld et al.
4,811,955 A *	3/1989	De Bernardini 463/51	6,302,796 B1	10/2001	Lebensfeld et al.
D304,049 S	10/1989	Lee	D451,977 S	12/2001	Urbano
4,898,391 A	2/1990	Kelly et al.	6,328,651 B1	12/2001	Lebensfeld et al.
5,004,444 A *	4/1991	Chih 446/406	6,582,299 B1	6/2003	Matsuyama et al.
D318,309 S	7/1991	D'Andrade	D482,082 S	11/2003	Chang
5,073,140 A	12/1991	Lebensfeld et al.	6,672,962 B1	1/2004	Ozaki et al.
5,215,464 A	6/1993	Marshall et al.	6,677,935 B2	1/2004	Kobayashi et al.
D340,750 S	10/1993	Salmon et al.	6,902,483 B2 *	6/2005	Lin 463/37
D347,250 S	5/1994	Yu	D521,568 S *	5/2006	Hussaini et al. D21/333
5,351,969 A *	10/1994	Smith et al. 463/5	7,040,986 B2	5/2006	Koshima et al.
D367,685 S	3/1996	Luk	D524,871 S *	7/2006	Nunokawa D21/333
5,569,085 A *	10/1996	Igarashi et al. 463/49	7,185,787 B2	3/2007	Brown et al.
5,741,185 A	4/1998	Kwan et al.	7,267,118 B2	9/2007	Eddins et al.
D396,068 S	7/1998	Chikui et al.	7,287,526 B1	10/2007	Bligh et al.
5,785,592 A	7/1998	Jacobsen	7,306,523 B1	12/2007	Jeffway, Jr. et al.
D398,661 S *	9/1998	Lee D21/333	7,410,404 B2	8/2008	Saeki
D403,367 S	12/1998	Lebensfeld et al.	D576,624 S *	9/2008	Ashida et al. D14/400
5,853,324 A	12/1998	Kami et al.	7,510,477 B2	3/2009	Argentar
D410,048 S	5/1999	Luk	7,513,700 B2	4/2009	Nelson
D416,954 S	11/1999	Yu	7,536,817 B2	5/2009	Storch
5,975,068 A	11/1999	Halter et al.	7,568,975 B2	8/2009	Koshima et al.
5,984,788 A	11/1999	Lebensfeld et al.	7,594,502 B1	9/2009	Anderson
D418,177 S	12/1999	Lebensfeld et al.	7,627,139 B2	12/2009	Marks et al.
D423,609 S	4/2000	D'Andrade et al.	7,632,187 B1	12/2009	Farley et al.
			7,677,232 B2	3/2010	Rosenblum et al.
			D646,281 S *	10/2011	Markowitz et al. D14/418

* cited by examiner

FIG. 1

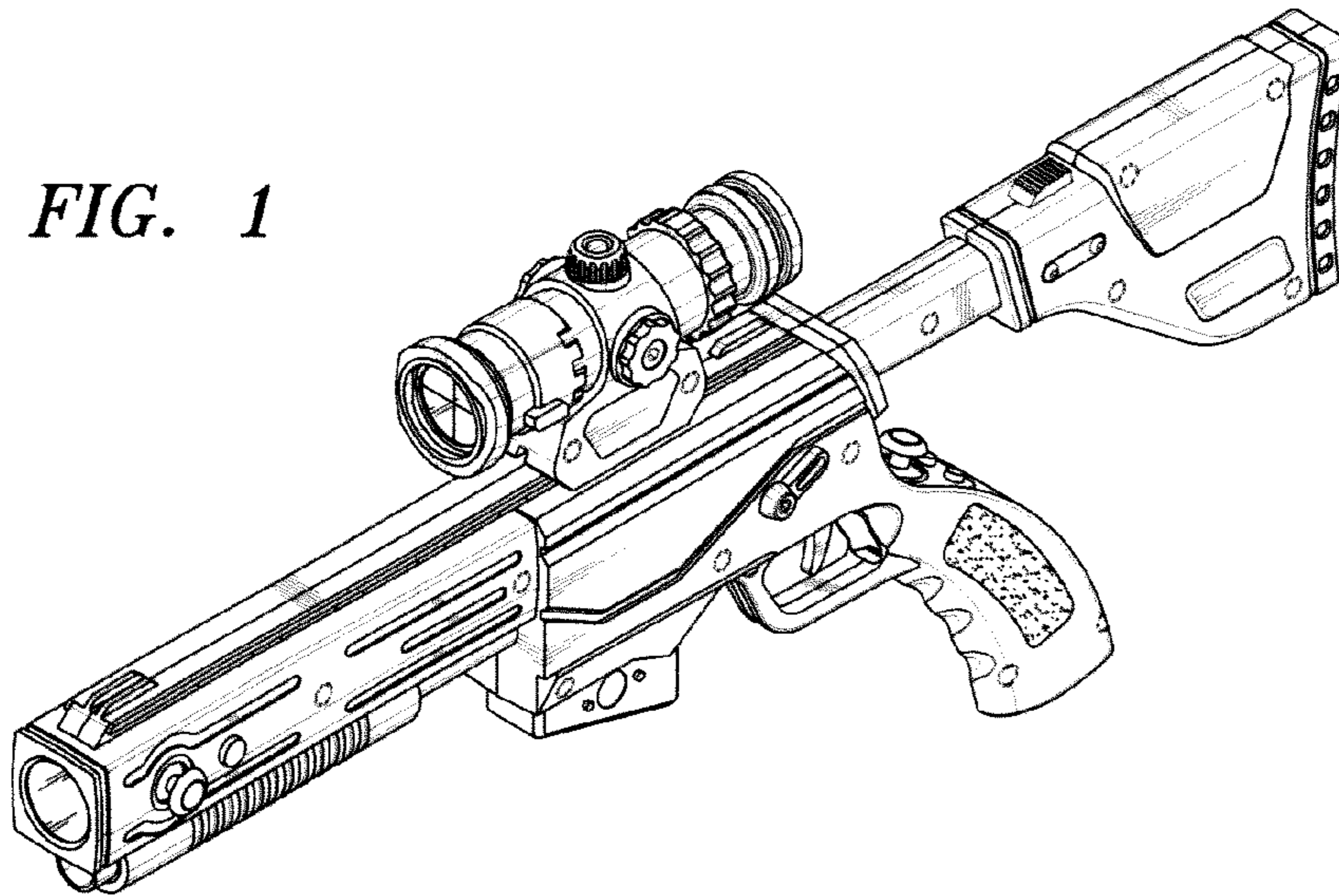


FIG. 2

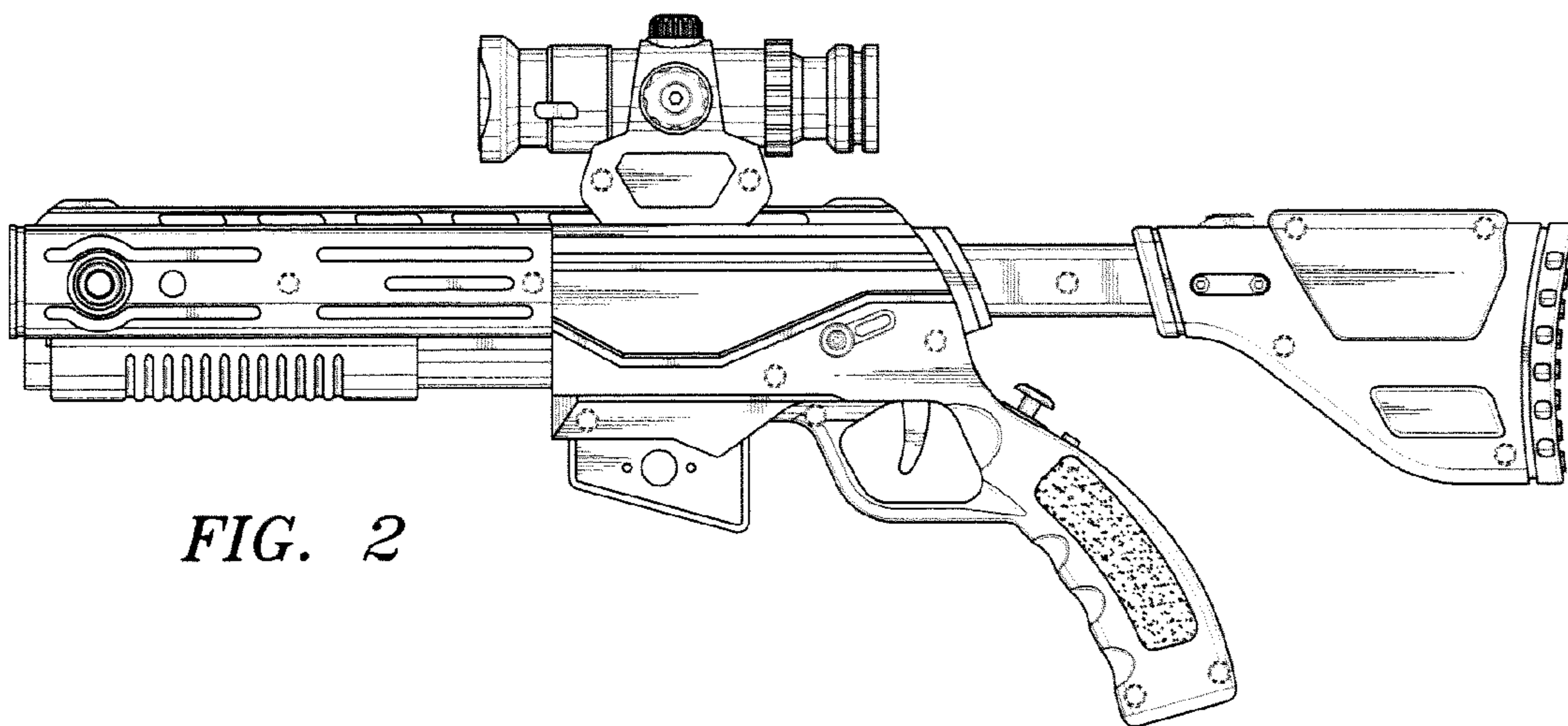
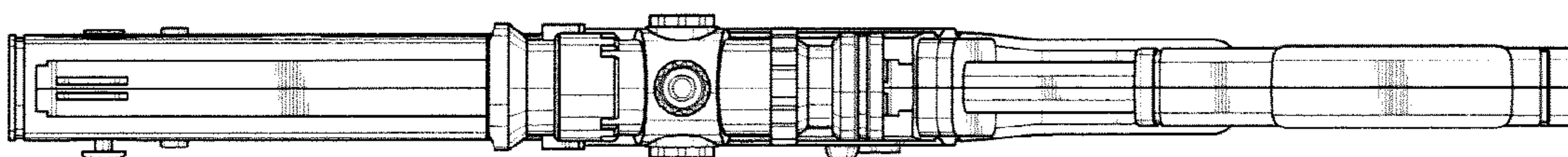


FIG. 3



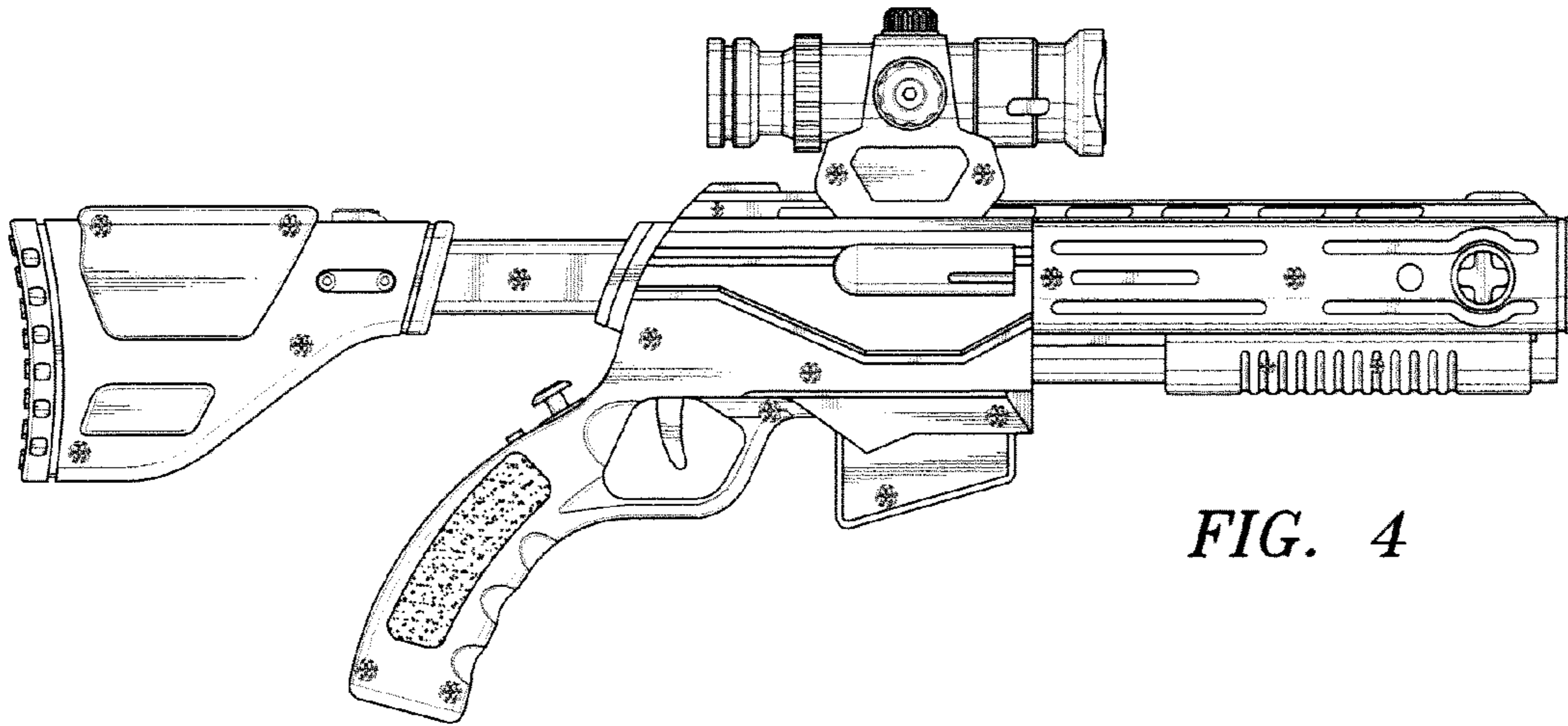


FIG. 4

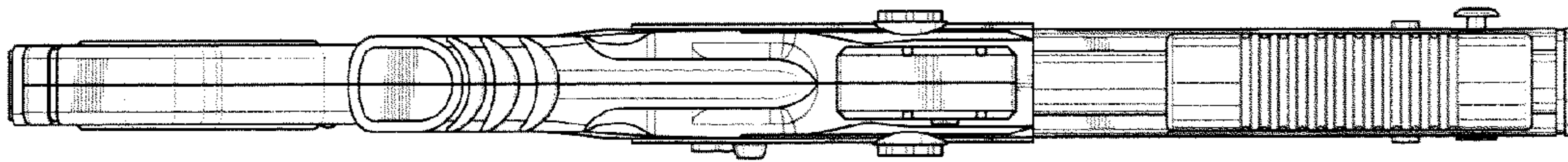


FIG. 5

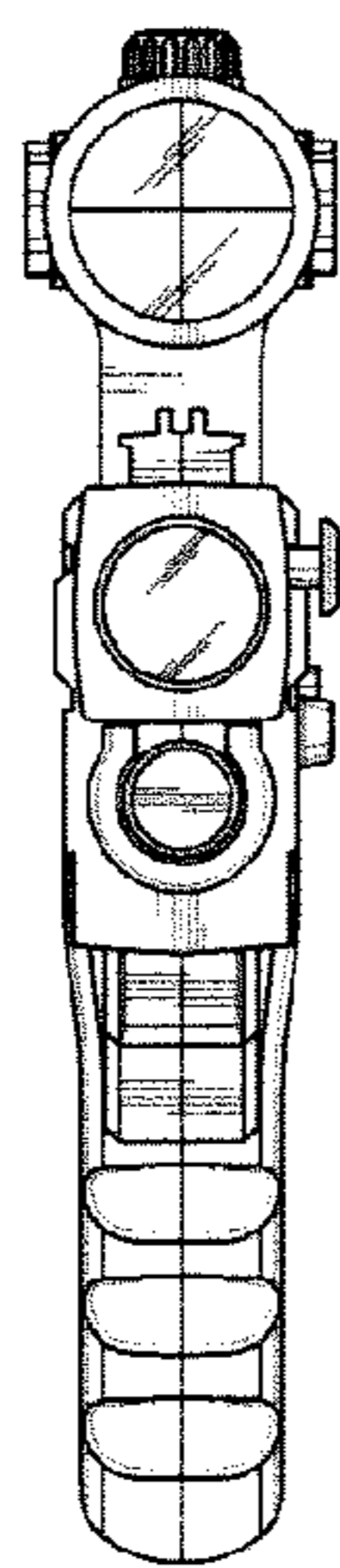


FIG. 6

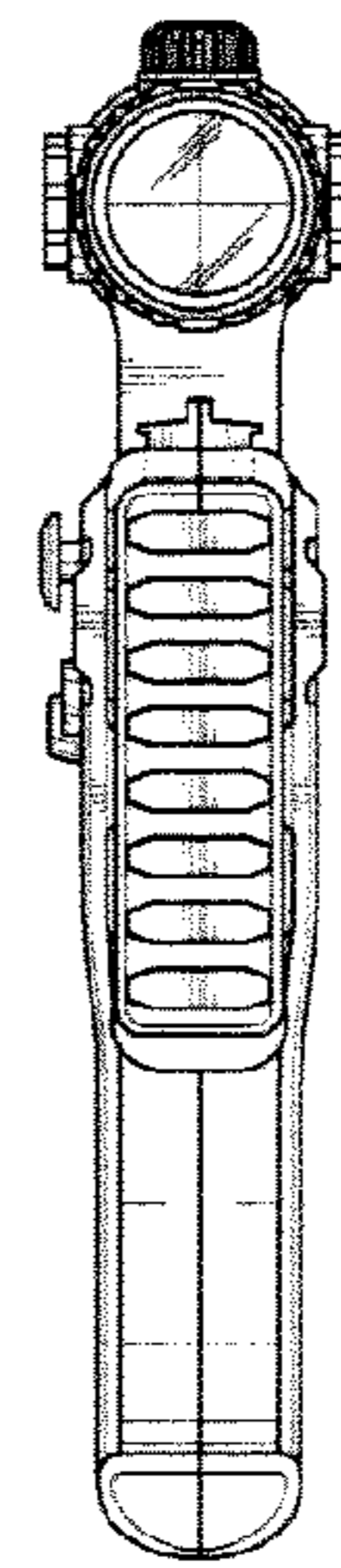


FIG. 7