



US00D693805S

(12) **United States Design Patent**  
**Sip et al.**

(10) **Patent No.:** **US D693,805 S**  
(45) **Date of Patent:** **\*\* Nov. 19, 2013**

(54) **EXTERNAL ELECTRONIC DEVICE**

(75) Inventors: **Kim Yeung Sip**, Taipei Hsien (TW);  
**Wei-Yuan Cheng**, Taipei Hsien (TW);  
**Hao-Sheng Lo**, Taipei Hsien (TW)

(73) Assignee: **Acer Incorporated**, Taipei Hsien (TW)

(\*\*) Term: **14 Years**

(21) Appl. No.: **29/406,143**

(22) Filed: **Nov. 10, 2011**

(30) **Foreign Application Priority Data**

Sep. 6, 2011 (TW) ..... 100304643

(51) **LOC (9) Cl.** ..... **14-02**

(52) **U.S. Cl.**  
USPC ..... **D14/358**; D14/480.6

(58) **Field of Classification Search**  
USPC ..... D14/300–302, 314, 348–370, 383–385,  
D14/435, 496, 125, 135, 155, 240–242, 299,  
D14/434, 480.6; D3/273; D9/432; D10/65,  
D10/75, 78; D13/103, 119, 162, 187, 199;  
361/679.31–679.45; 439/138–140,  
439/224; 312/223.2; 710/120

See application file for complete search history.

(56) **References Cited**

**U.S. PATENT DOCUMENTS**

D239,838 S \* 5/1976 Crimmins ..... D14/149  
D250,529 S \* 12/1978 Kaye ..... D13/103  
D250,530 S \* 12/1978 Kaye ..... D13/103  
D260,489 S \* 9/1981 Pritchard ..... D9/432  
D331,028 S \* 11/1992 Take ..... D10/98  
5,479,285 A \* 12/1995 Burke ..... 349/58  
D371,135 S \* 6/1996 Jutte ..... D14/240  
D377,645 S \* 1/1997 Iwamoto et al. .... D14/385

D397,996 S \* 9/1998 Smith ..... D13/168  
5,952,814 A \* 9/1999 Van Lerberghe ..... 320/108  
D421,018 S \* 2/2000 Ashkenazi ..... D14/240  
D477,823 S \* 7/2003 Lavello, Sr. .... D14/253  
D514,103 S \* 1/2006 Huang et al. .... D14/480.6  
D532,005 S \* 11/2006 Leith ..... D14/253  
D562,273 S \* 2/2008 Koyama et al. .... D13/184  
D595,280 S \* 6/2009 Chiba et al. .... D14/240  
D609,701 S \* 2/2010 Hou ..... D14/240  
D619,140 S \* 7/2010 Sin et al. .... D14/480.6  
D652,379 S \* 1/2012 Vandiver ..... D13/108  
D653,207 S \* 1/2012 Vandiver ..... D13/108  
D662,491 S \* 6/2012 Andre et al. .... D14/217  
D675,156 S \* 1/2013 Vandiver et al. .... D13/108  
D682,806 S \* 5/2013 Smith et al. .... D14/155  
2004/0070867 A1 \* 4/2004 Kudo et al. .... 360/97.01  
2013/0060398 A1 \* 3/2013 Sip ..... 700/297  
2013/0102164 A1 \* 4/2013 Sip ..... 439/38

\* cited by examiner

*Primary Examiner* — Karen E Kearney

(74) *Attorney, Agent, or Firm* — McClure, Qualey & Rodack, LLP

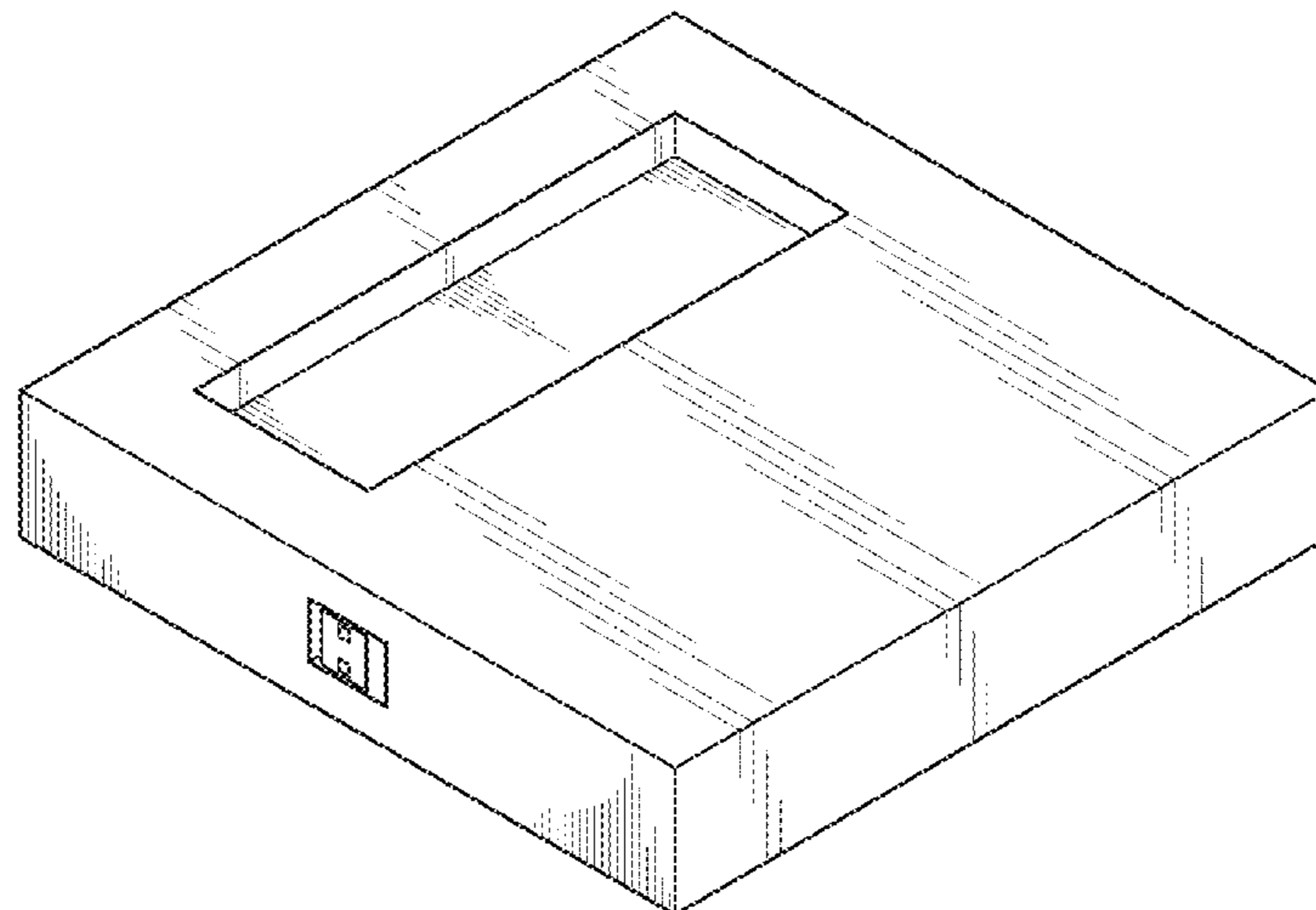
(57) **CLAIM**

The ornamental design for external electronic device, as shown and described.

**DESCRIPTION**

FIG. 1 is a front perspective view thereof;  
FIG. 2 is a front view thereof;  
FIG. 3 is a rear view thereof;  
FIG. 4 is a left side view thereof;  
FIG. 5 is a right side view thereof;  
FIG. 6 is a top plan view thereof;  
FIG. 7 is a bottom plan view thereof;  
FIG. 8 is a rear perspective view thereof; and,  
FIG. 9 is a front perspective view thereof, showing the connector in an extended position.

**1 Claim, 6 Drawing Sheets**



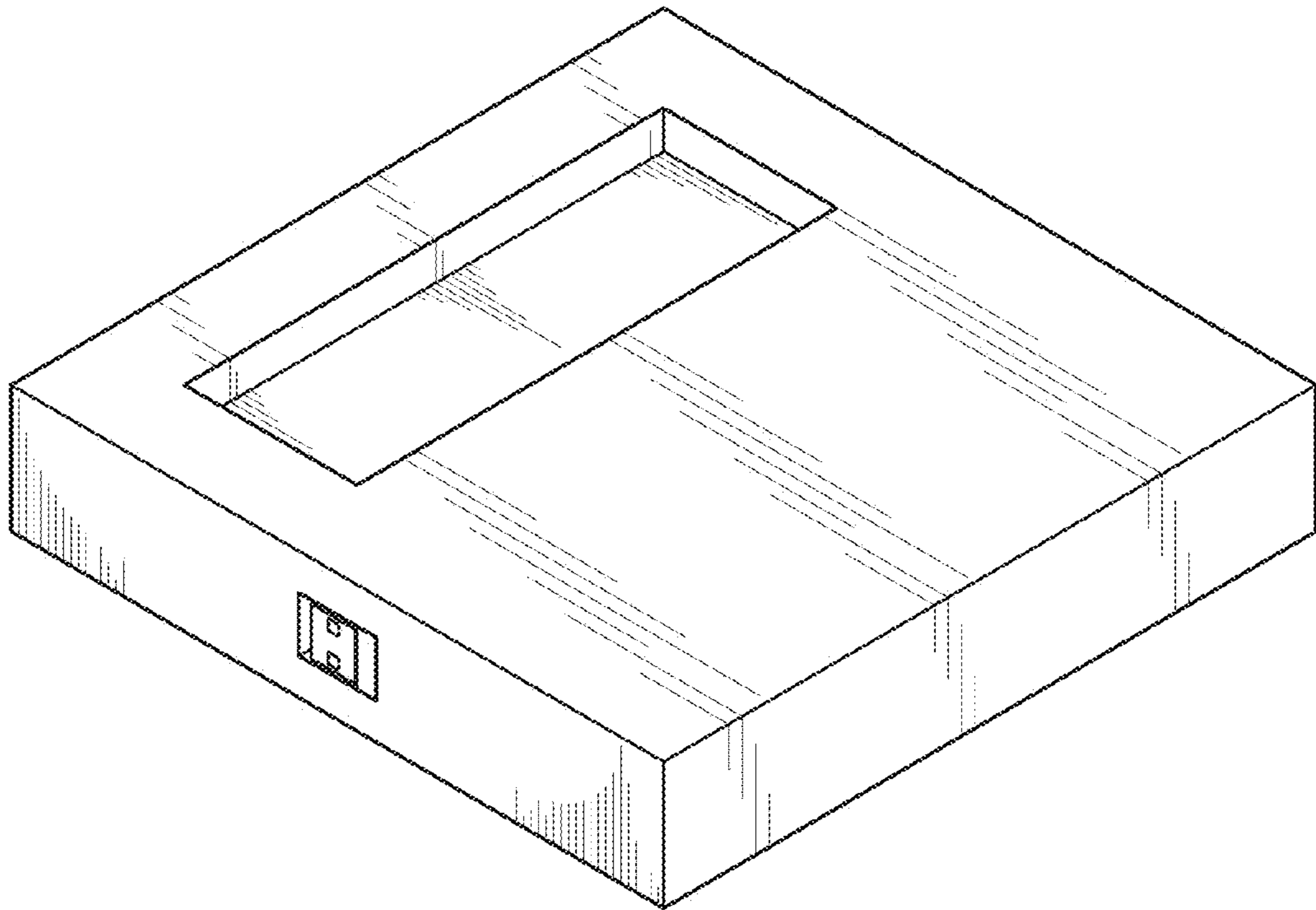


FIG. 1

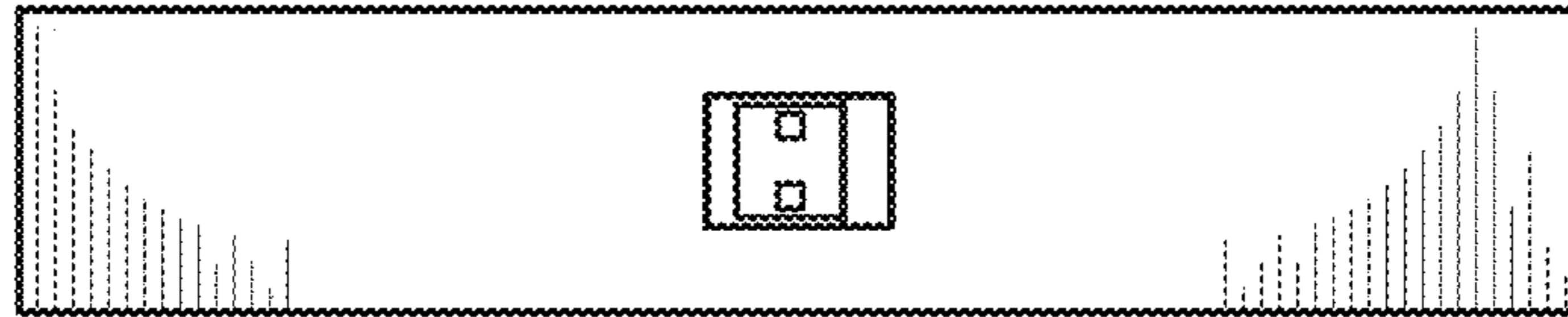


FIG. 2

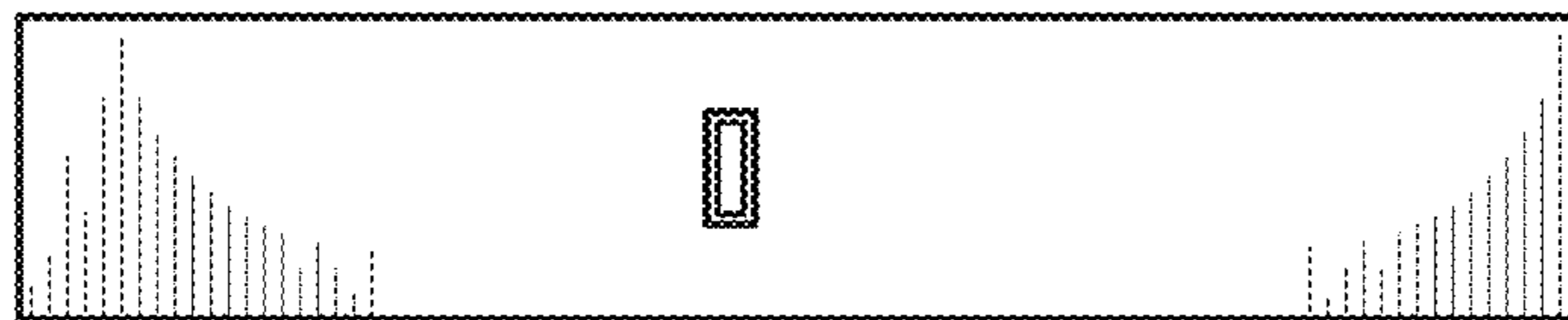


FIG. 3

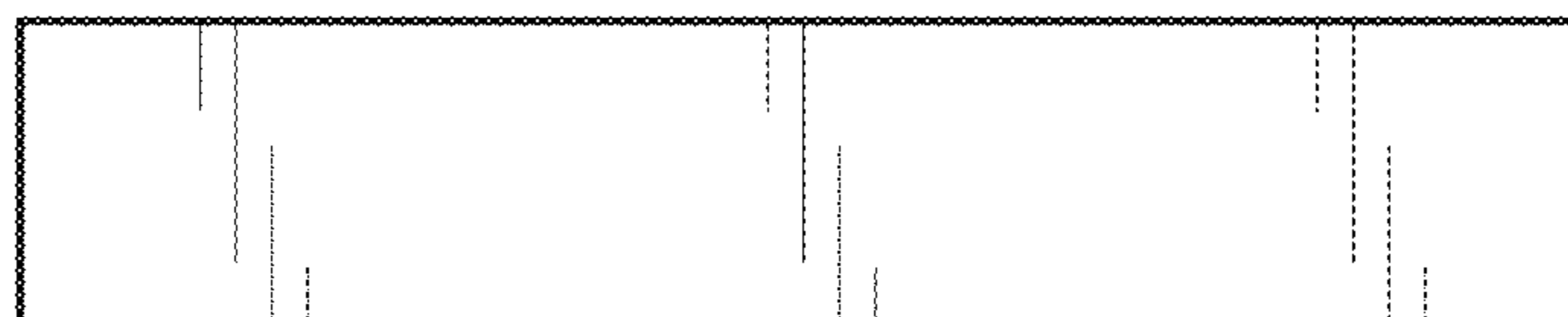


FIG. 4

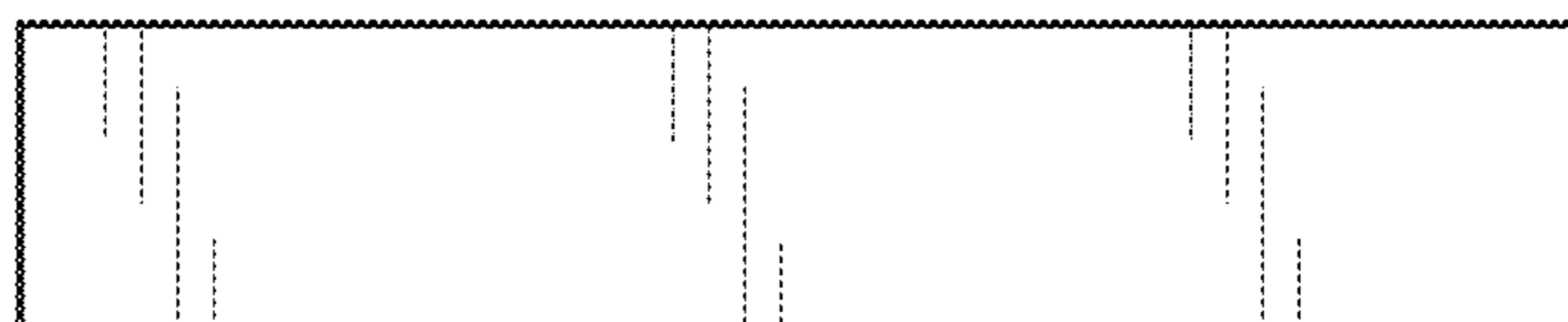


FIG. 5

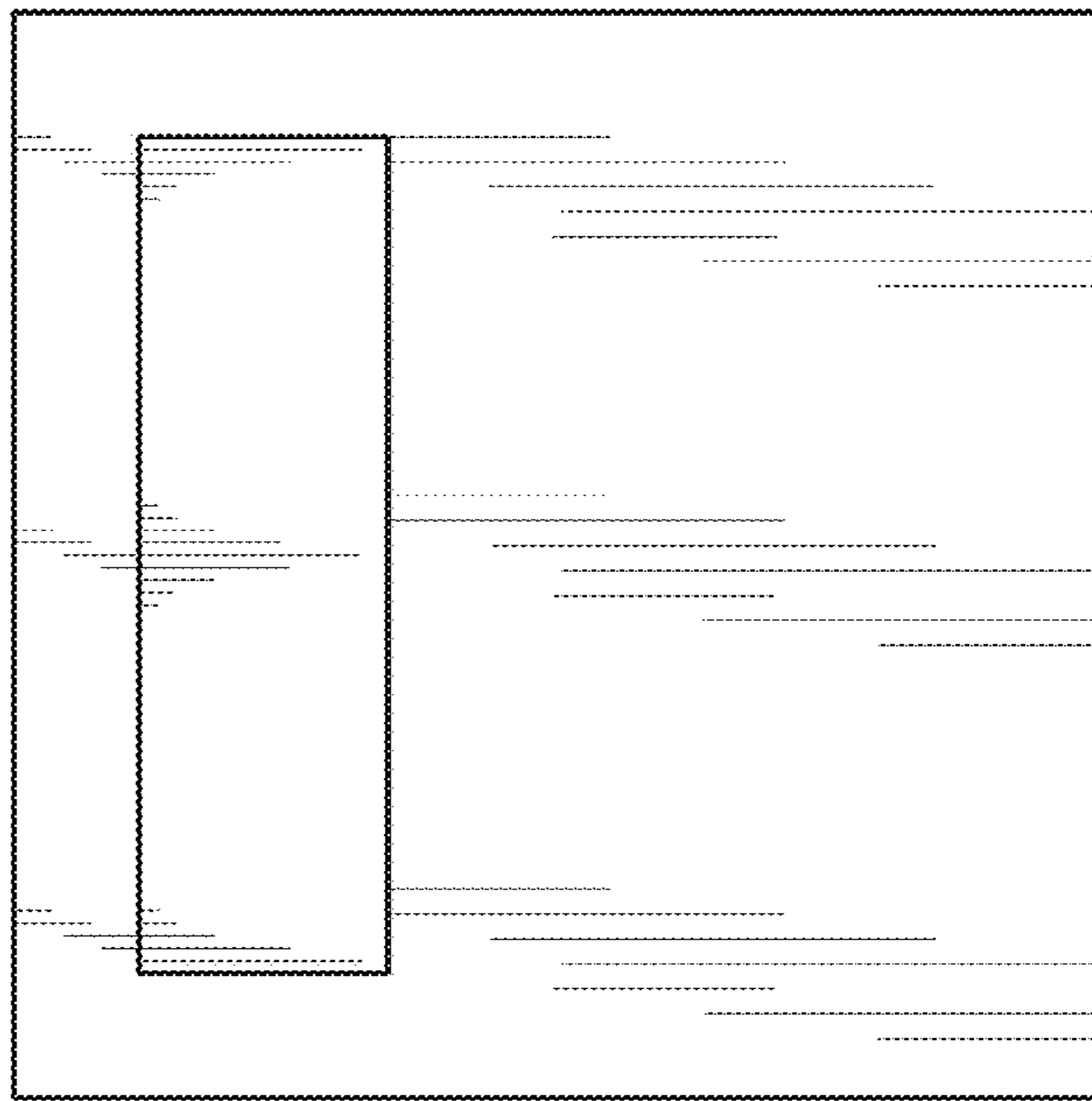


FIG. 6

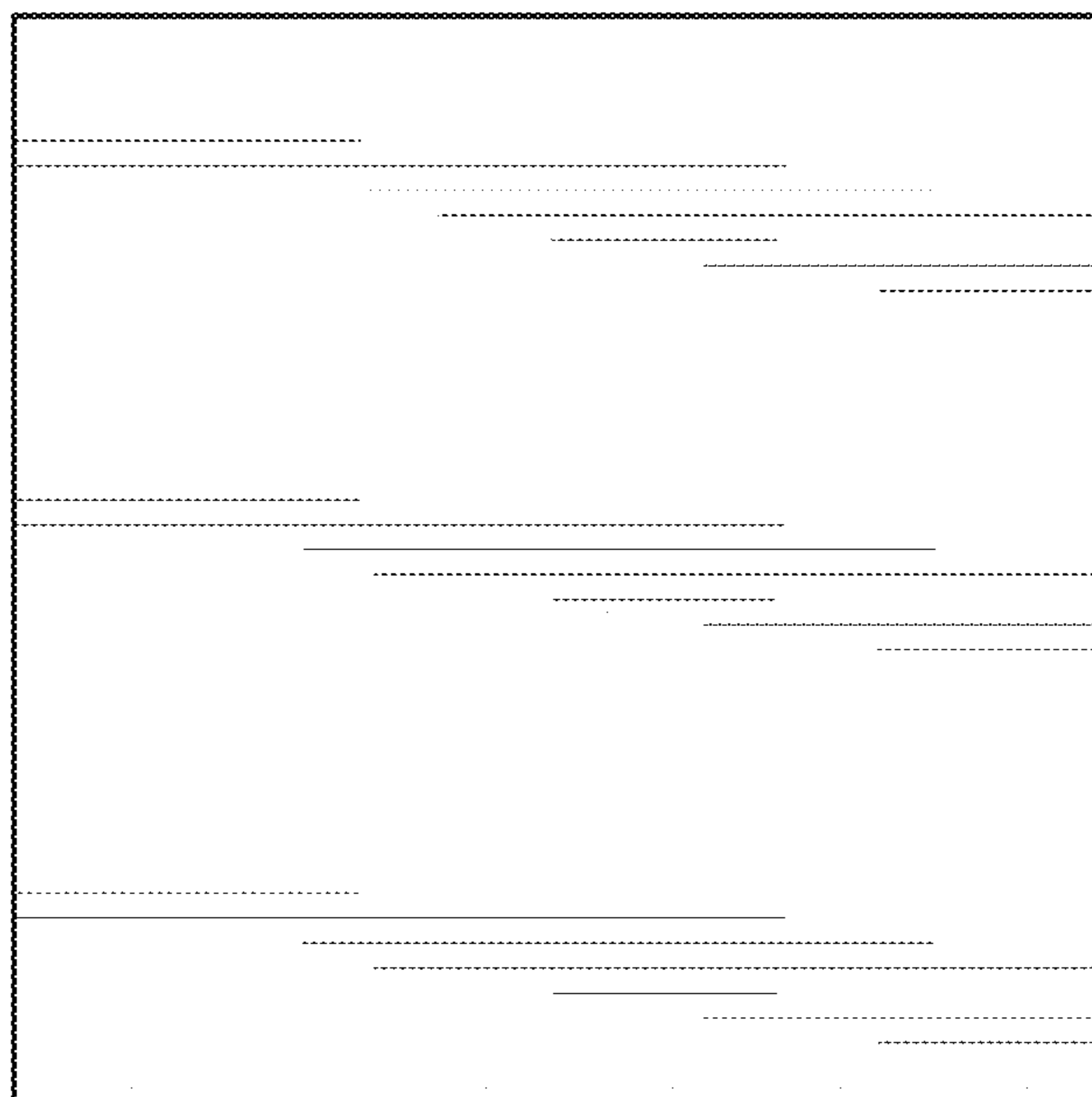


FIG. 7

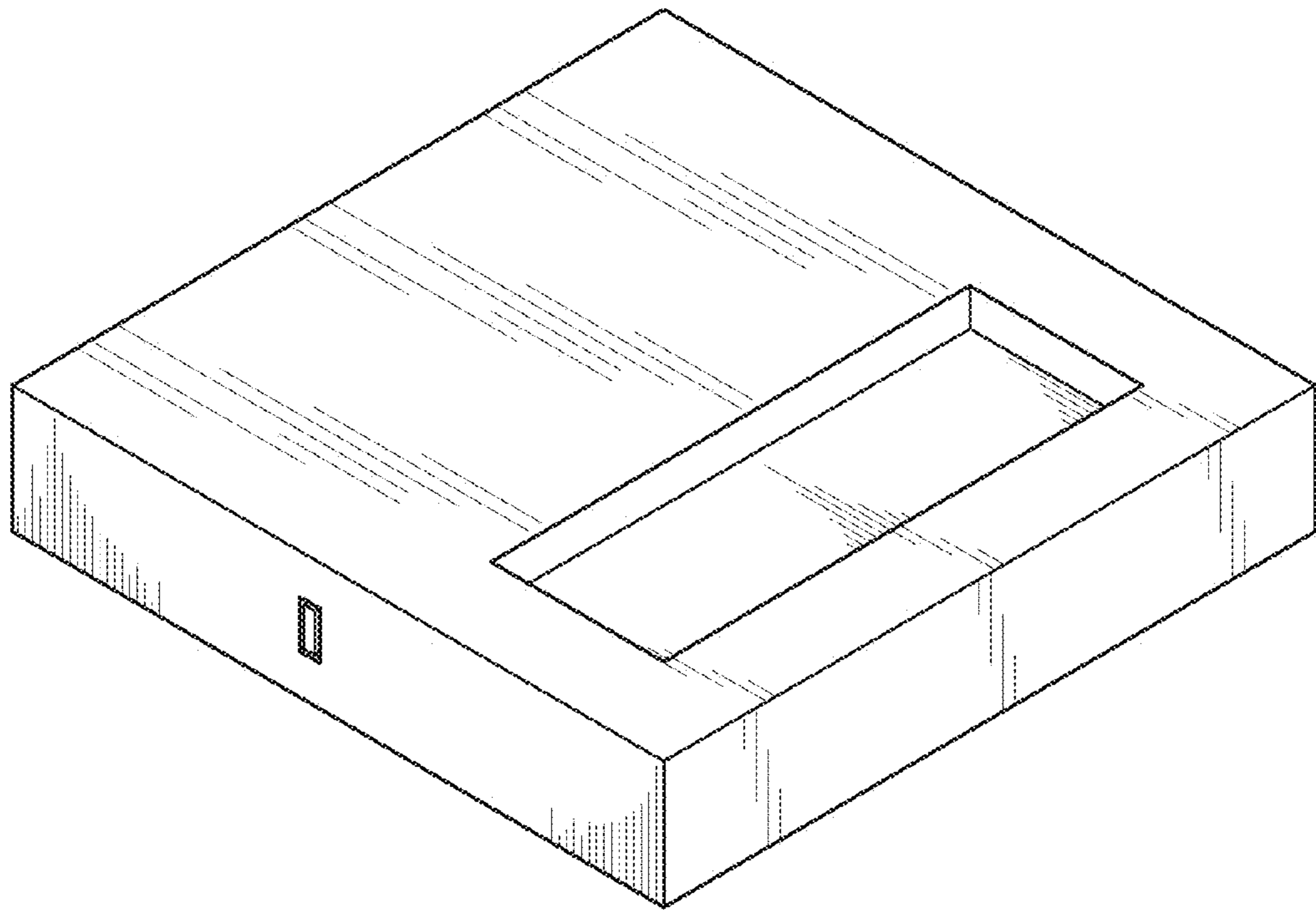


FIG. 8

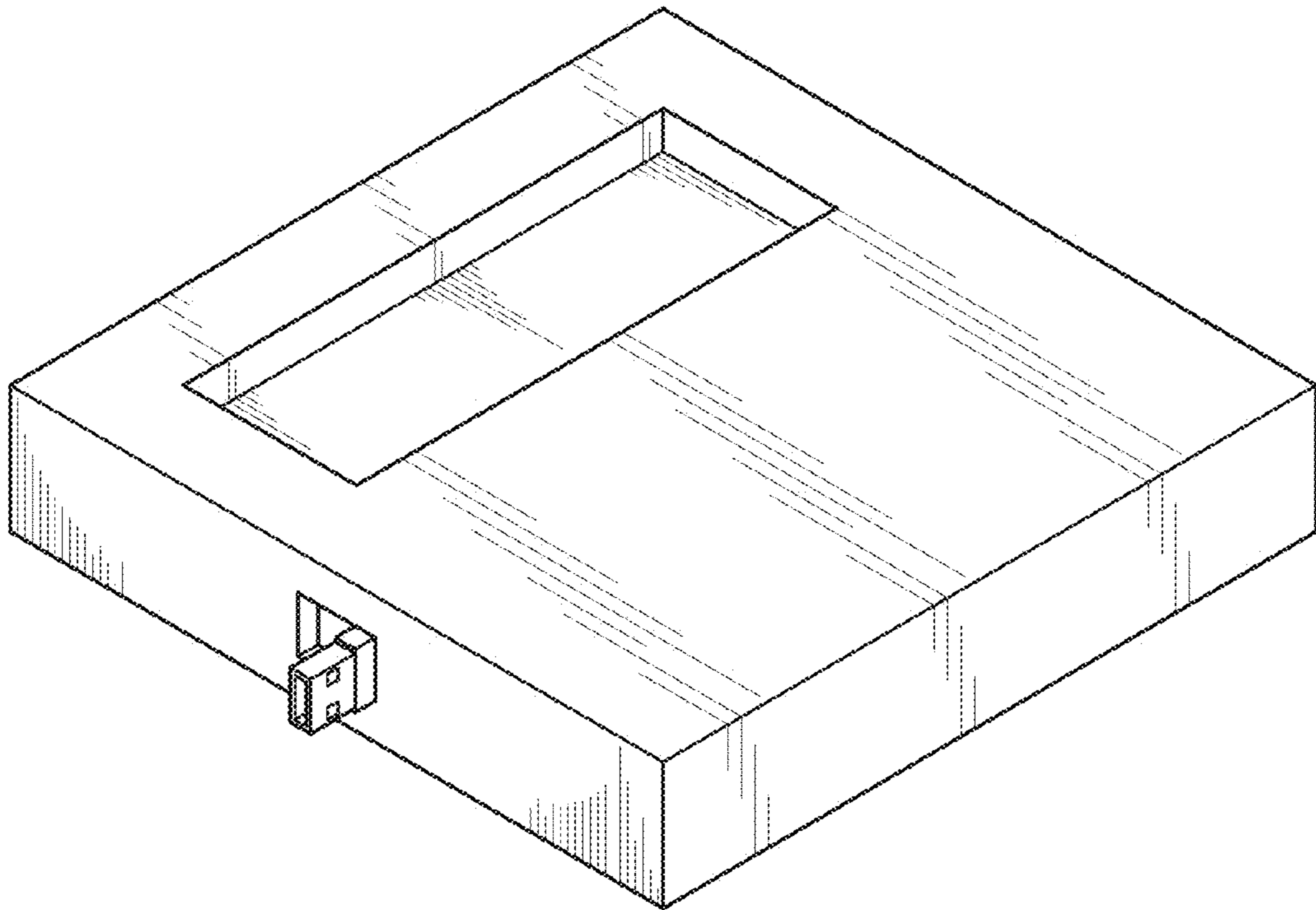


FIG. 9