

US00D693803S

(12) **United States Design Patent**  
**Colley et al.**

(10) **Patent No.:** **US D693,803 S**

(45) **Date of Patent:** **\*\* Nov. 19, 2013**

(54) **TERMINAL**

(75) Inventors: **Andrew Colley**, Dundee (GB); **Stephen W. Swaine**, Dunkeld (GB)

(73) Assignee: **NCR Corporation**, Duluth, GA (US)

(\*\*) Term: **14 Years**

(21) Appl. No.: **29/412,875**

(22) Filed: **Feb. 8, 2012**

(51) **LOC (9) Cl.** ..... **14-02**

(52) **U.S. Cl.**  
USPC ..... **D14/307**

(58) **Field of Classification Search**  
USPC ..... D14/302-307, 900-902; D13/163;  
D20/10; D21/332, 325, 369, 370;  
D99/28; D6/397, 466; 194/206;  
361/679.01, 679.02, 679.04, 679.21,  
361/679.57, 725

See application file for complete search history.

D565,044 S *	3/2008	Witts et al. ....	D14/307
D573,986 S *	7/2008	Sasaki et al. ....	D14/307
D588,186 S *	3/2009	Yamakawa ....	D18/4.5
D590,387 S *	4/2009	Chen ....	D14/307
D602,932 S *	10/2009	Sasaki et al. ....	D14/307
D620,519 S *	7/2010	Branck et al. ....	D18/4.4
D624,542 S *	9/2010	Tang ....	D14/371
D625,355 S *	10/2010	Branck et al. ....	D18/12.3
D639,801 S *	6/2011	Kuroda et al. ....	D14/307
D640,252 S *	6/2011	Kuroda et al. ....	D14/307
D653,835 S *	2/2012	Strempack et al. ....	D99/43
D654,498 S *	2/2012	Hwang et al. ....	D14/341
D669,464 S *	10/2012	Birgeoglu ....	D14/307
D671,595 S *	11/2012	O'Hara ....	D19/52
D675,610 S *	2/2013	Ono ....	D14/307
D676,900 S *	2/2013	Ohno et al. ....	D18/4.4
D681,030 S *	4/2013	Yopez ....	D14/307

\* cited by examiner

*Primary Examiner* — Austin Murphy

(74) *Attorney, Agent, or Firm* — Paul W. Martin

(57) **CLAIM**

The ornamental design for a terminal, as shown and described.

(56) **References Cited**

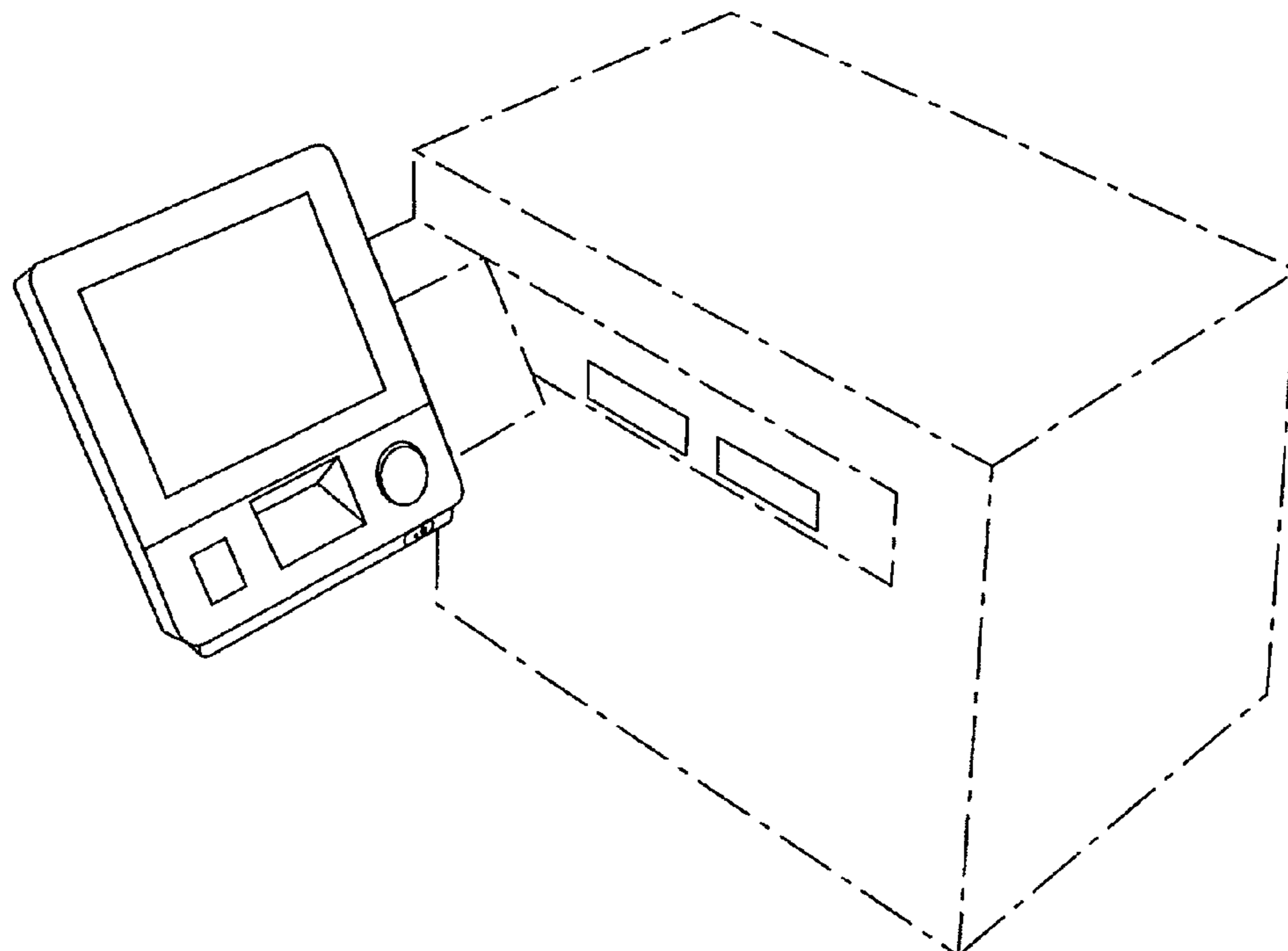
U.S. PATENT DOCUMENTS

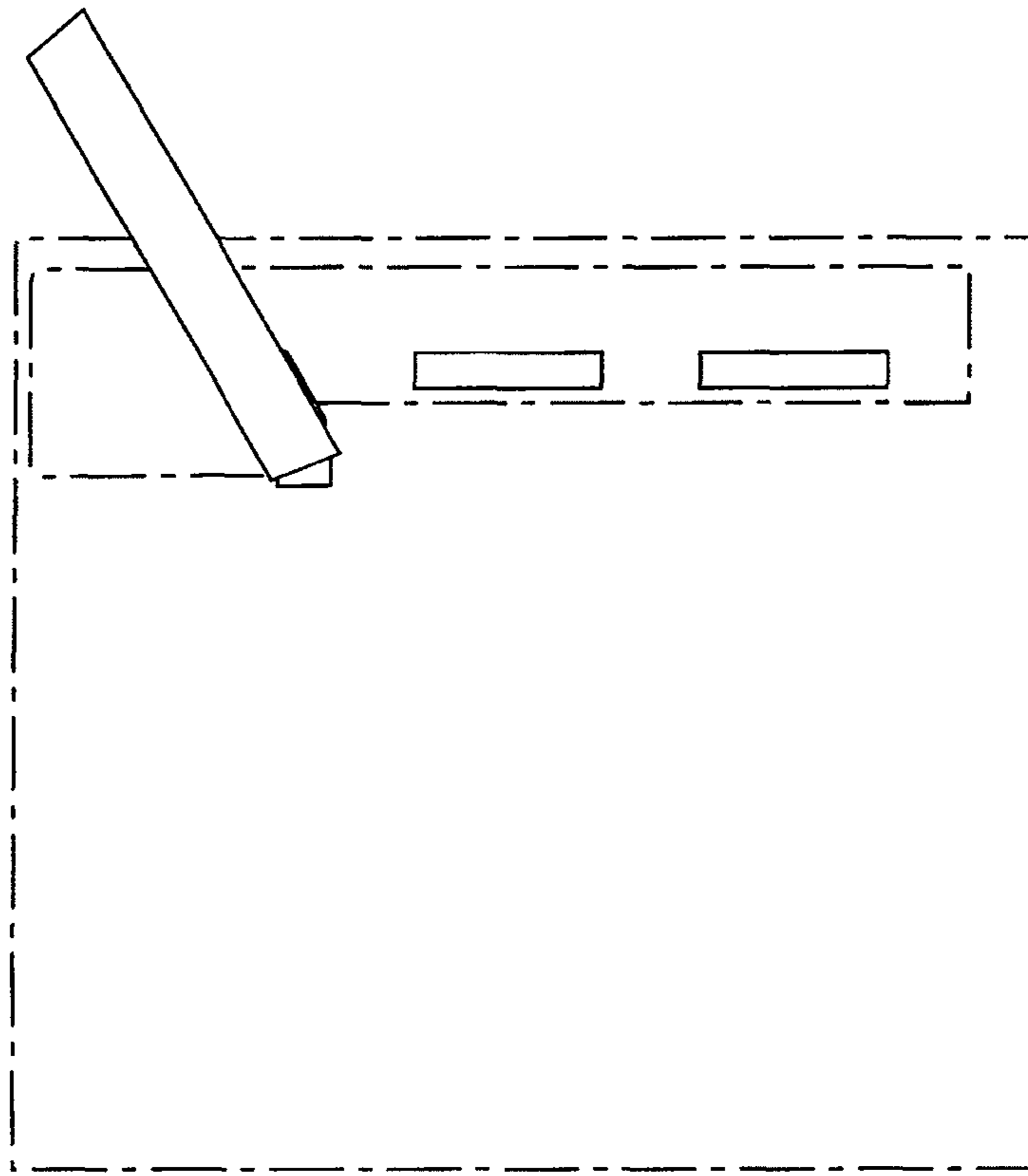
D384,832 S *	10/1997	Senturia et al. ....	D6/397
D465,895 S *	11/2002	Pfefferle et al. ....	D34/19
D494,176 S *	8/2004	Porter et al. ....	D14/388
D516,064 S *	2/2006	Becker et al. ....	D14/307
D526,647 S *	8/2006	Thornton ....	D14/307
D527,729 S *	9/2006	Thornton ....	D14/307
D532,398 S *	11/2006	Naruo ....	D14/129
D532,417 S *	11/2006	Becker et al. ....	D14/307
D533,176 S *	12/2006	Becker et al. ....	D14/307

**DESCRIPTION**

FIG. 1 is a front view;  
FIG. 2 is a right view;  
FIG. 3 is a left view;  
FIG. 4 is a top view; and,  
FIG. 5 is a perspective view.  
The broken lines shown in the drawings represent portions of the terminal that form no part of the claimed design.

**1 Claim, 5 Drawing Sheets**





**FIG. 1**

FIG. 2

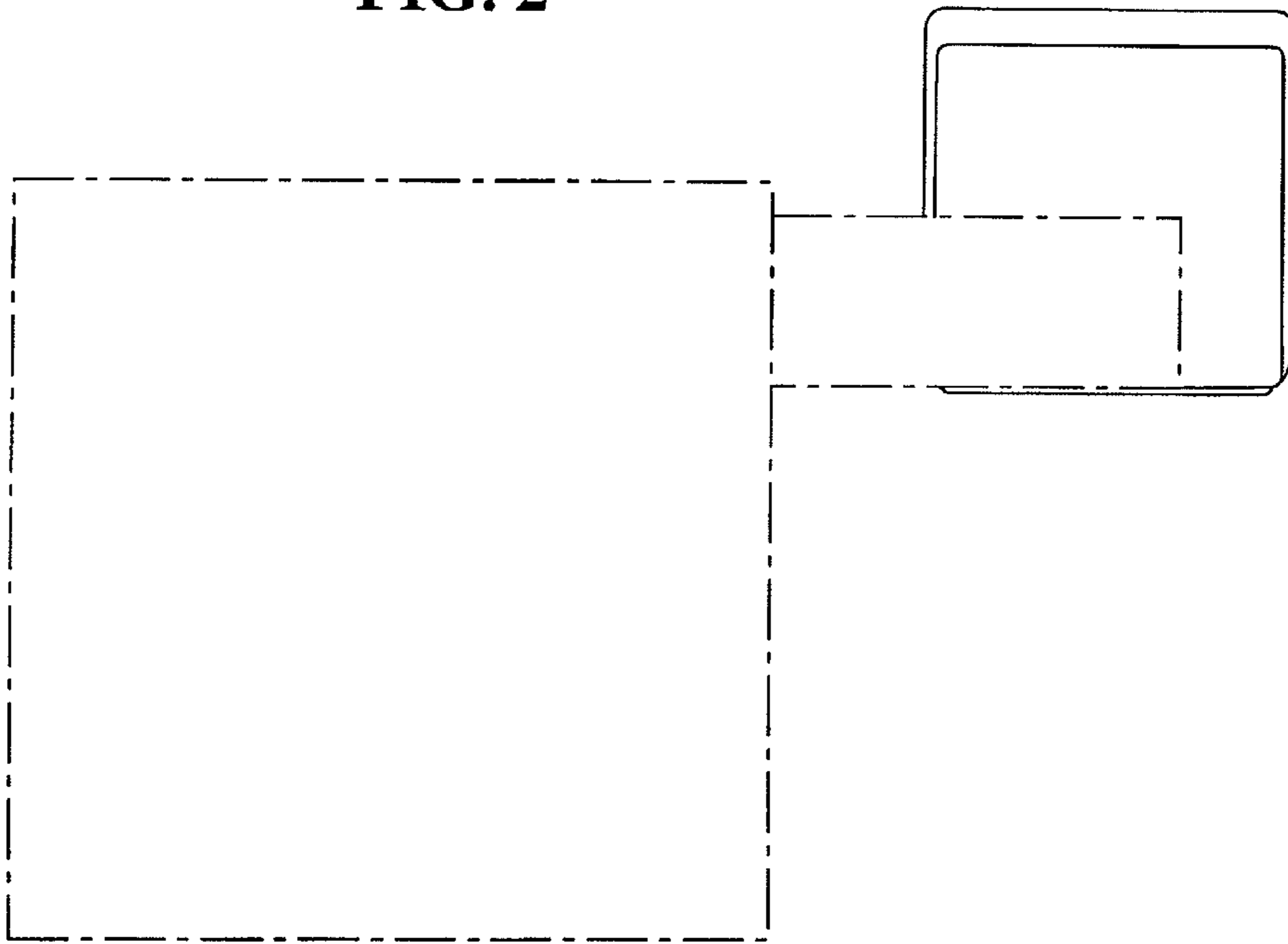


FIG. 3

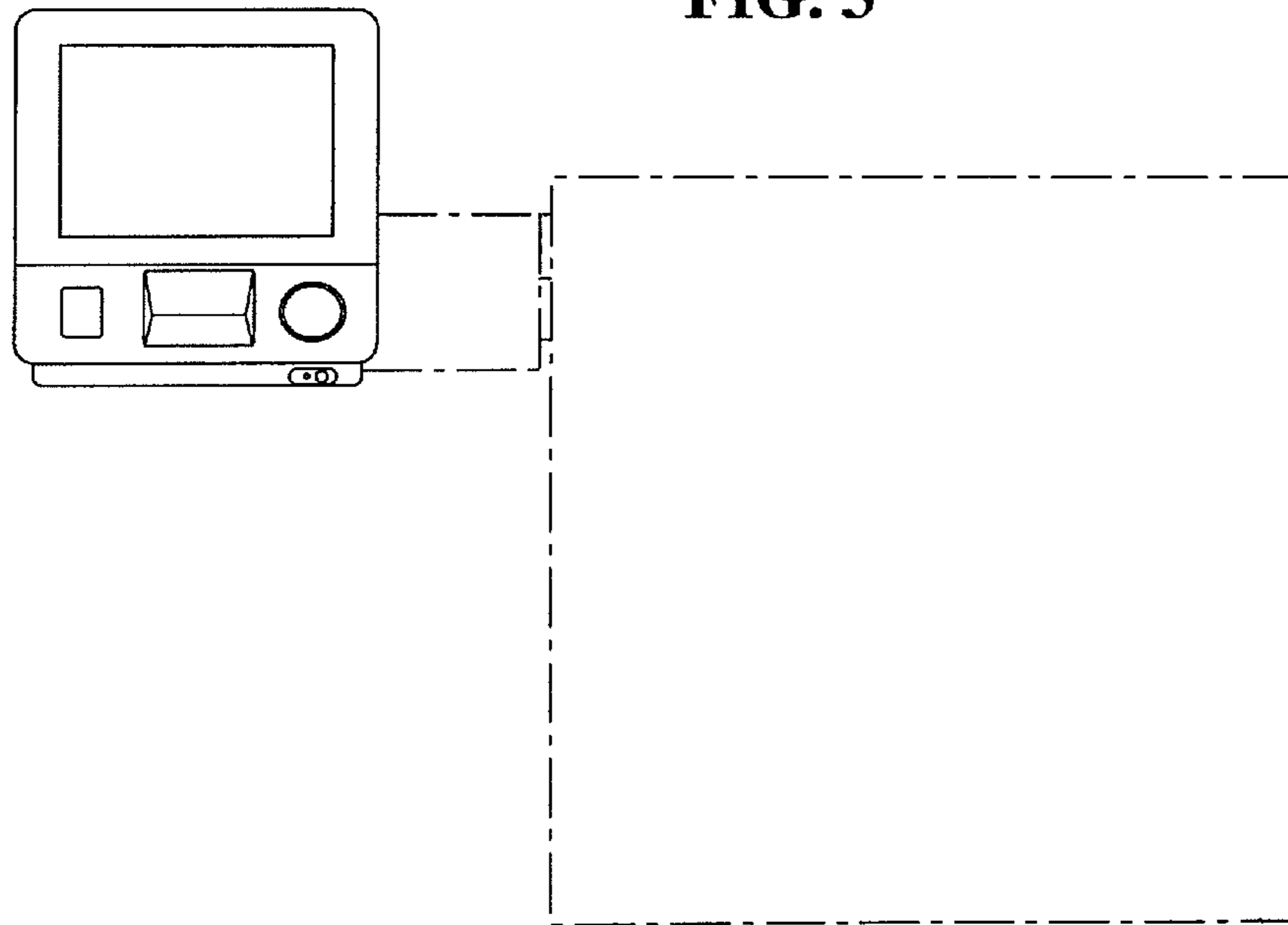
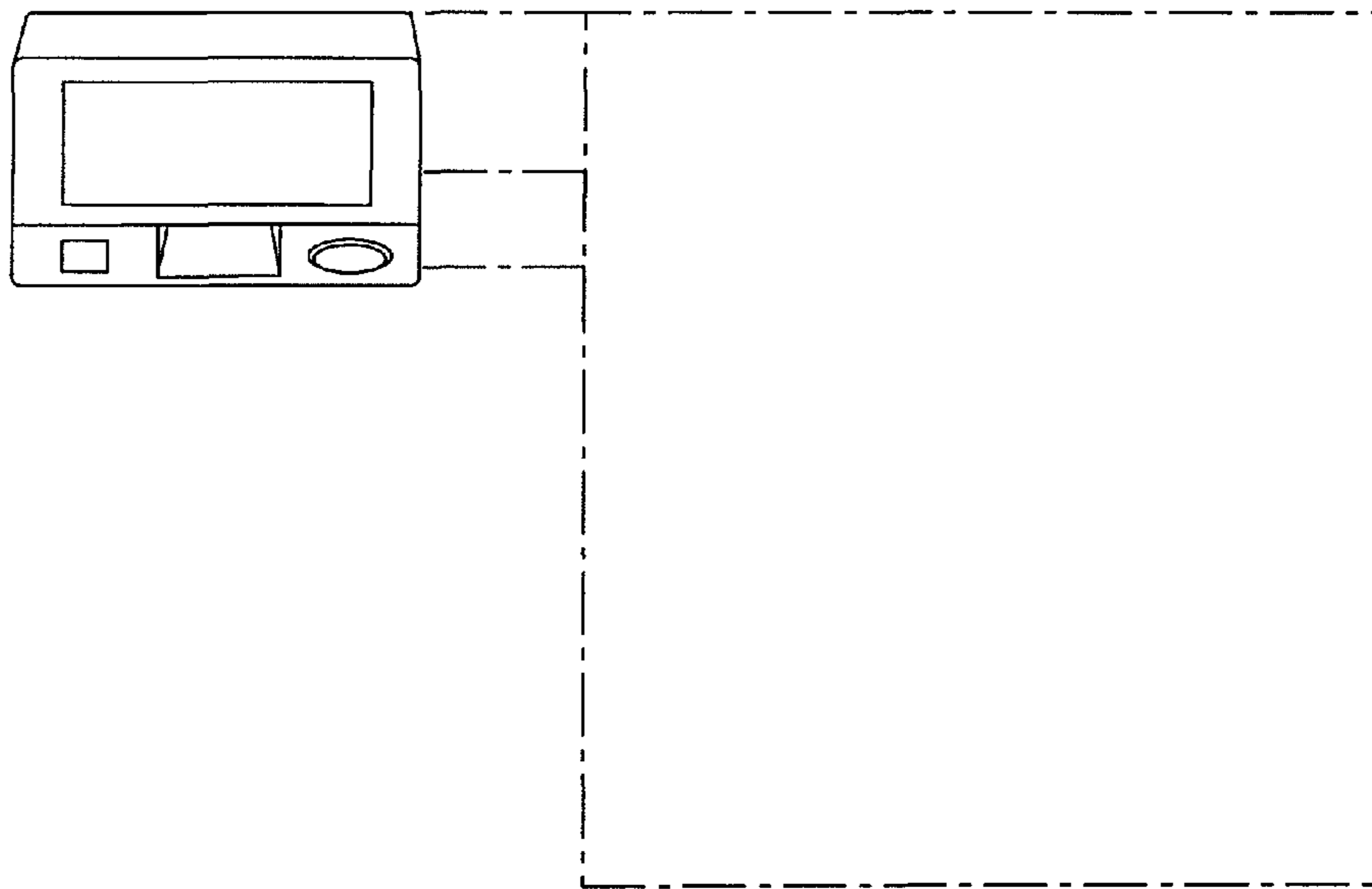
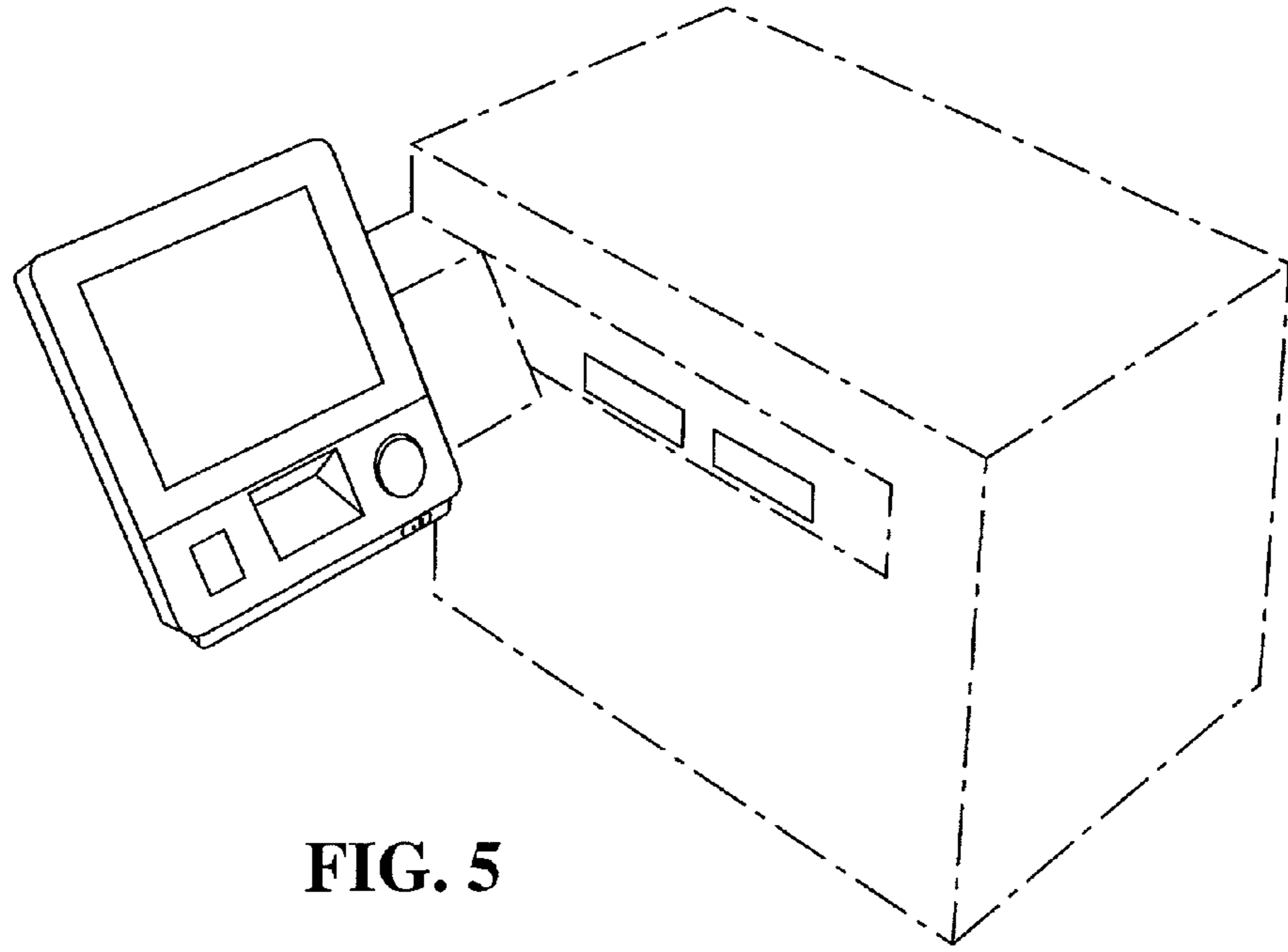


FIG. 4





**FIG. 5**