



US00D693802S

(12) **United States Design Patent**
Wikel

(10) **Patent No.:** **US D693,802 S**
(45) **Date of Patent:** **** Nov. 19, 2013**

(54) **DEVICE CRADLE**

(71) Applicant: **Motorola Mobility LLC**, Libertyville, IL (US)

(72) Inventor: **Harold L Wikel**, Muskego, WI (US)

(73) Assignee: **Motorola Mobility LLC**, Libertyville, IL (US)

(**) Term: **14 Years**

(21) Appl. No.: **29/437,361**

(22) Filed: **Nov. 15, 2012**

(51) **LOC (9) Cl.** **14-03**

(52) **U.S. Cl.**
USPC **D14/253**

(58) **Field of Classification Search**
USPC D14/140, 140.8, 142, 168, 204, 209.1, D14/217, 221, 243–256, 434, 447; D3/215, D3/218, 269; D2/861; D6/300, 310, 467, D6/553–574; 292/342, 343; D19/90; D12/411, 415; D13/108; 379/446, 455
See application file for complete search history.

(56) **References Cited**

U.S. PATENT DOCUMENTS

D359,616 S *	6/1995	Ishibashi et al.	D3/218
D368,582 S *	4/1996	King et al.	D3/218
D369,465 S *	5/1996	Scheid et al.	D3/218
D377,266 S *	1/1997	Khoo et al.	D3/218
D379,712 S *	6/1997	Khoo et al.	D3/218
D629,193 S *	12/2010	Liu	D3/218
D645,033 S *	9/2011	Quong et al.	D14/253
D646,315 S *	10/2011	Orf	D16/242
D649,347 S *	11/2011	Smith et al.	D3/218

OTHER PUBLICATIONS

U.S. Appl. No. 29/392,147, filed May 18, 2011, in the name of Harold L. Wikel, entitled "Device Cradle".
U.S. Appl. No. 29/399,842, filed Aug. 19, 2011, in the name of Harold L. Wikel, entitled "Device Cradle".
U.S. Appl. No. 29/399,849, filed Aug. 19, 2011, in the name of Harold L. Wikel, entitled "Device Cradle".
U.S. Appl. No. 29/399,851, filed Aug. 19, 2011, in the name of Harold L. Wikel, entitled "Device Cradle".
U.S. Appl. No. 29/408,216, filed Dec. 8, 2011, in the name of Harold L. Wikel, entitled "Device Cradle".
U.S. Appl. No. 29/431,107, filed Sep. 4, 2012, in the name of Harold L. Wikel, entitled "Device Cradle".

* cited by examiner

Primary Examiner — Susan Bennett Hattan
Assistant Examiner — Janice Hallmark

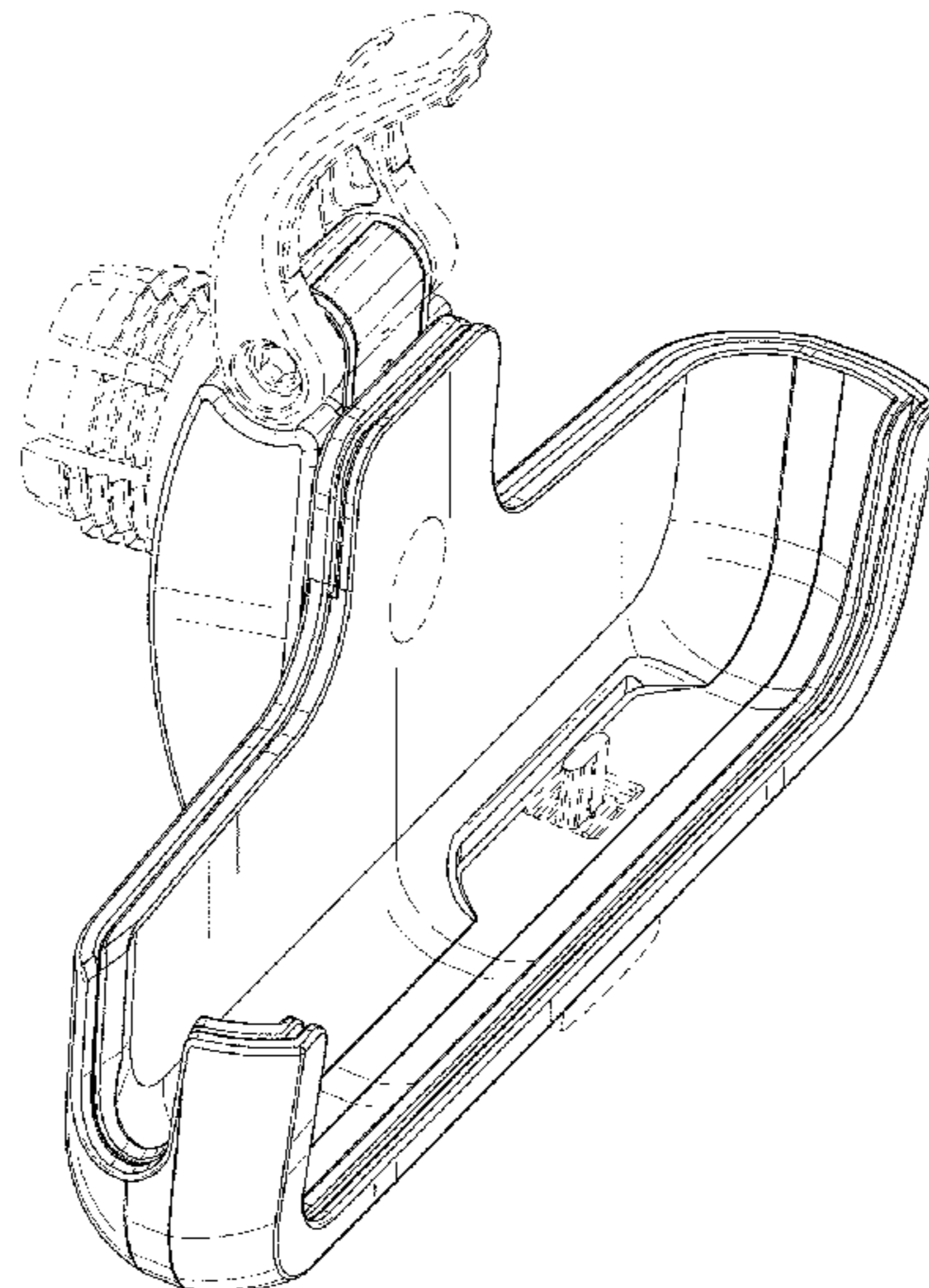
(57) **CLAIM**

The ornamental design for a device cradle, as shown and described.

DESCRIPTION

FIG. 1 is a front perspective view of an ornamental design for a device cradle;
FIG. 2 is a rear perspective view thereof;
FIG. 3 is a rear view thereof;
FIG. 4 is a front view thereof;
FIG. 5 is a first side view thereof;
FIG. 6 is a second side view thereof;
FIG. 7 is a top view thereof; and,
FIG. 8 is a bottom view thereof.
The broken lines shown in FIGS. 1-8, that are immediately adjacent to the shaded areas, and define unshaded regions, represent the bounds of the claimed design, while all other broken lines depict environmental subject matter; the broken lines form no part of the claimed design.

1 Claim, 6 Drawing Sheets



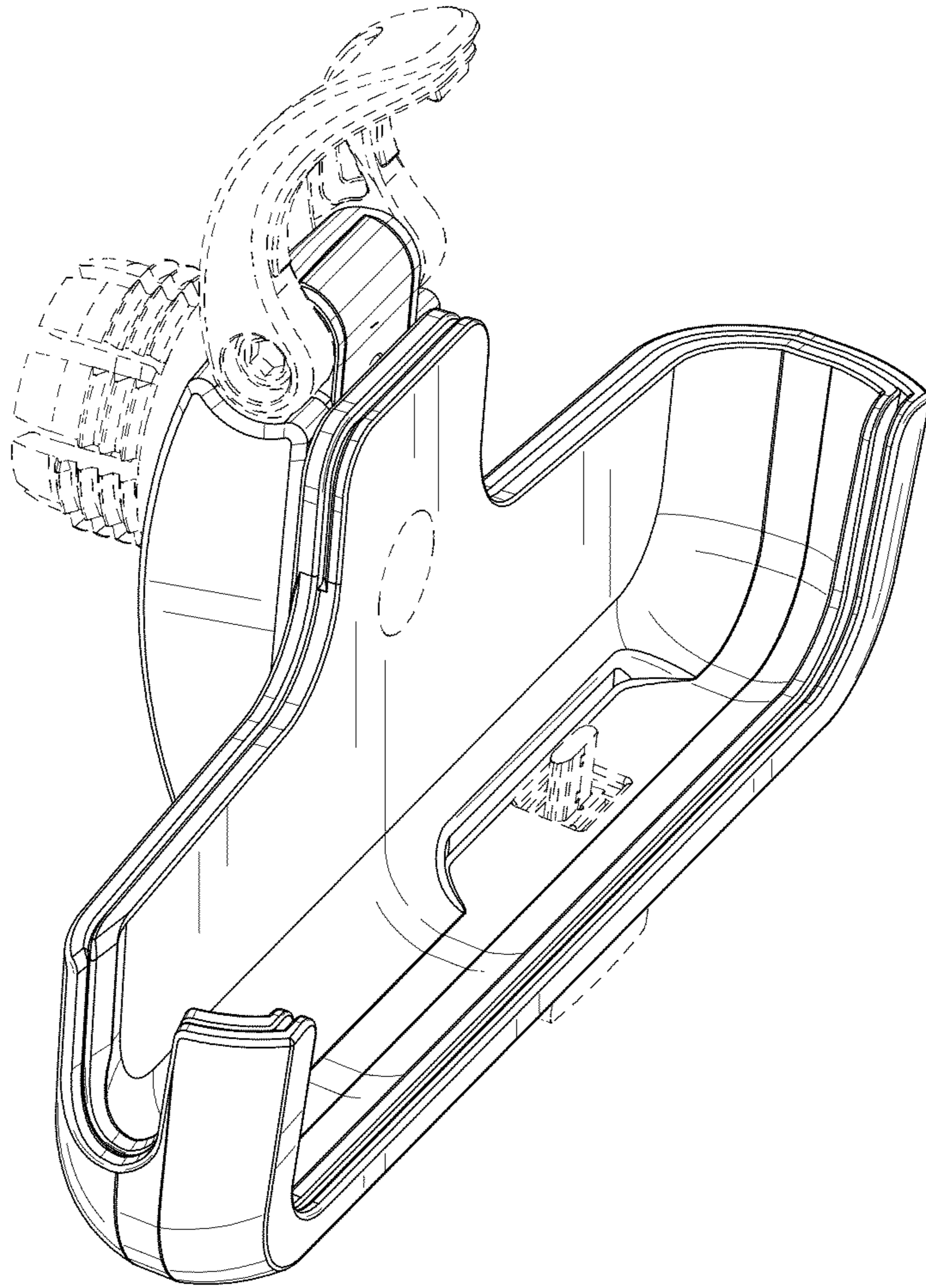


FIG. 1

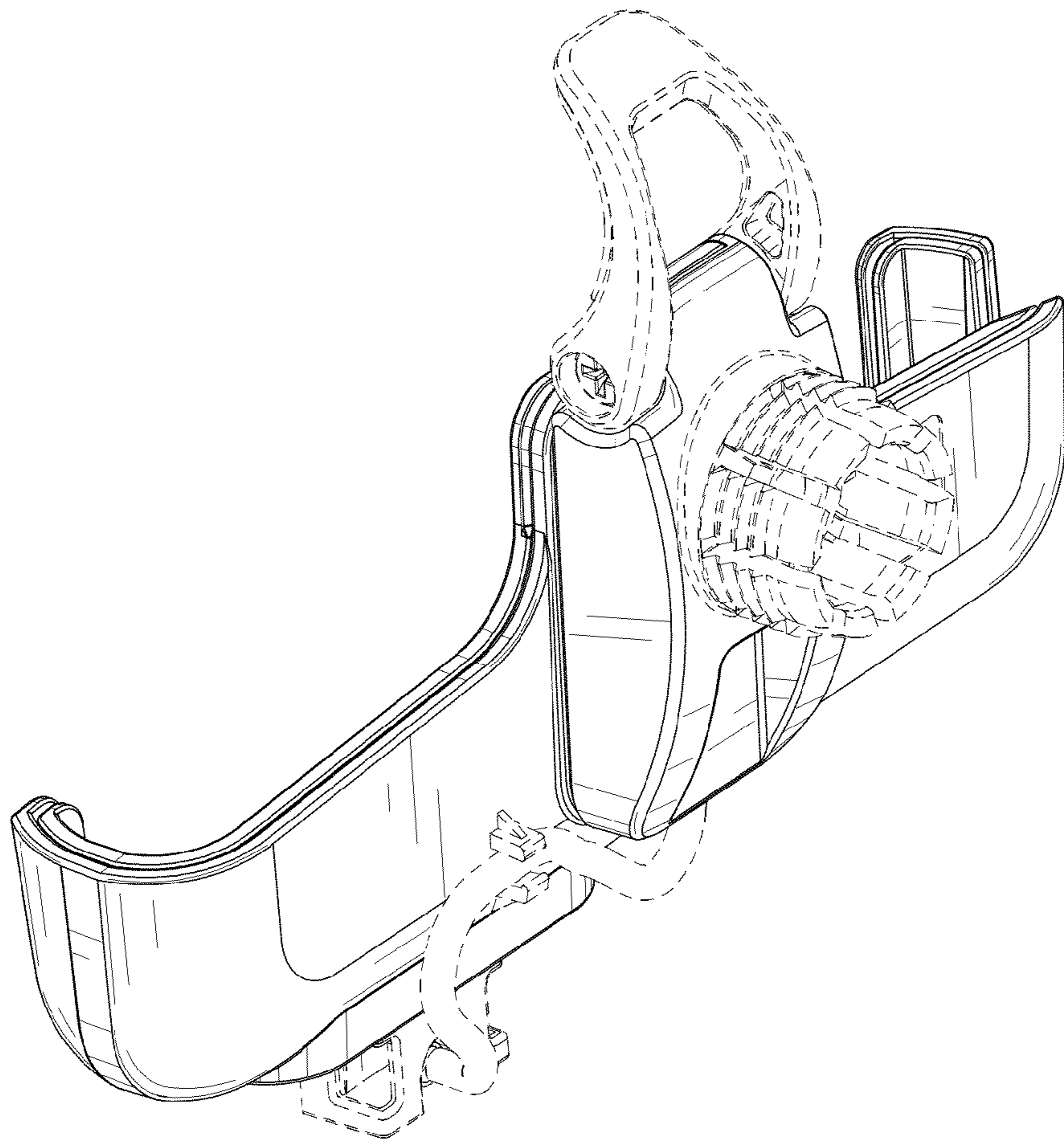


FIG. 2

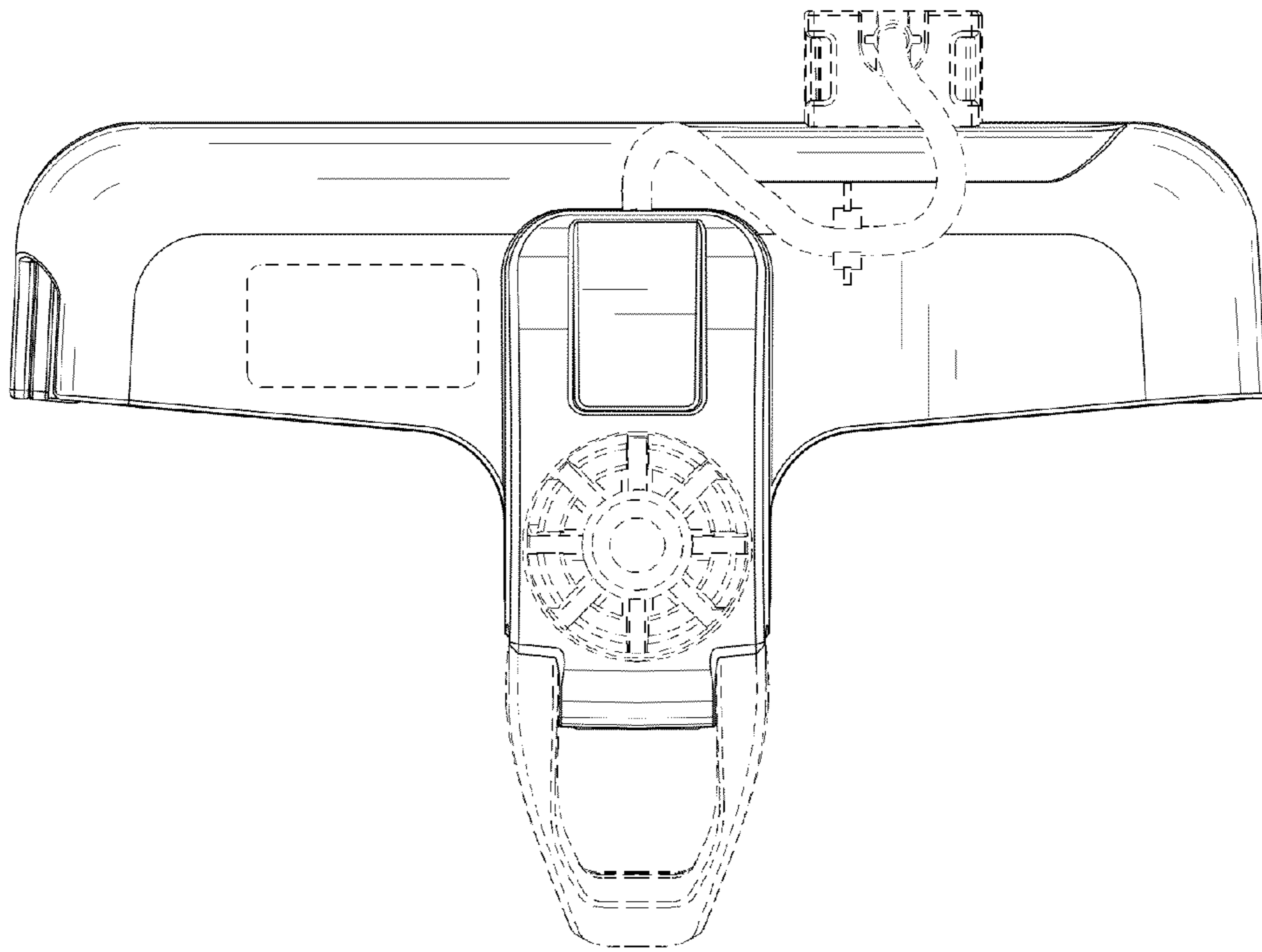


FIG. 3

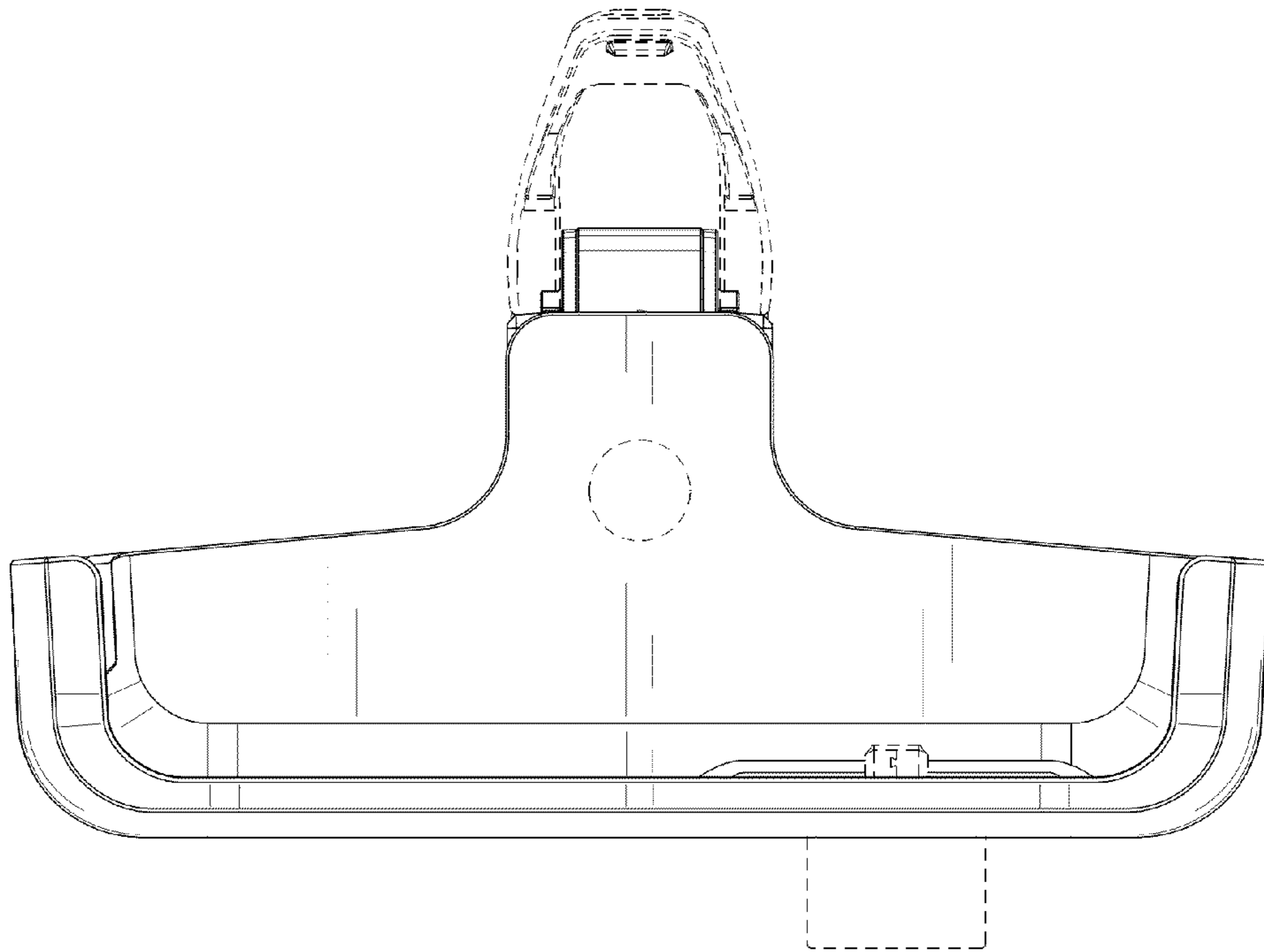


FIG. 4

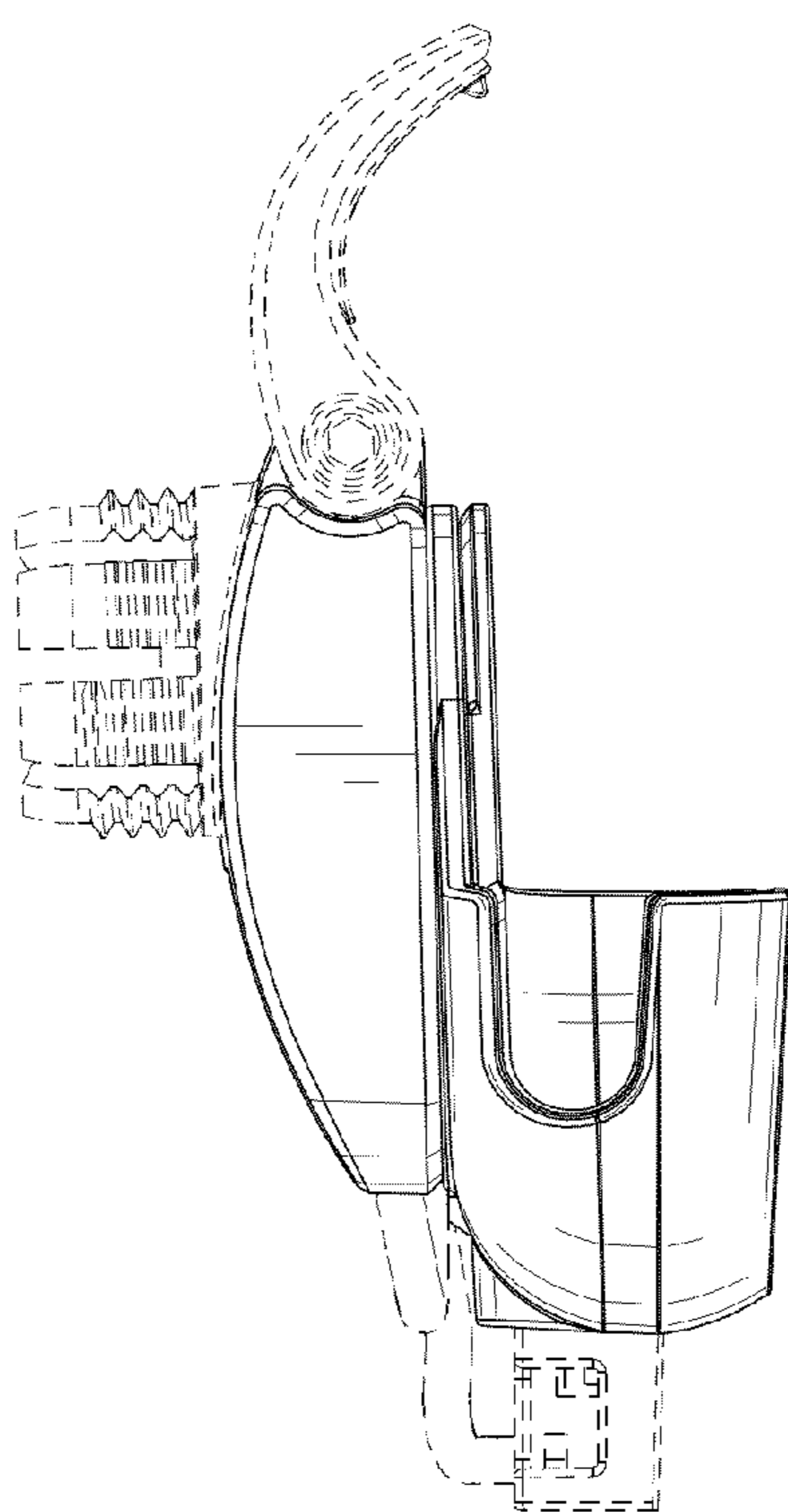


FIG. 5

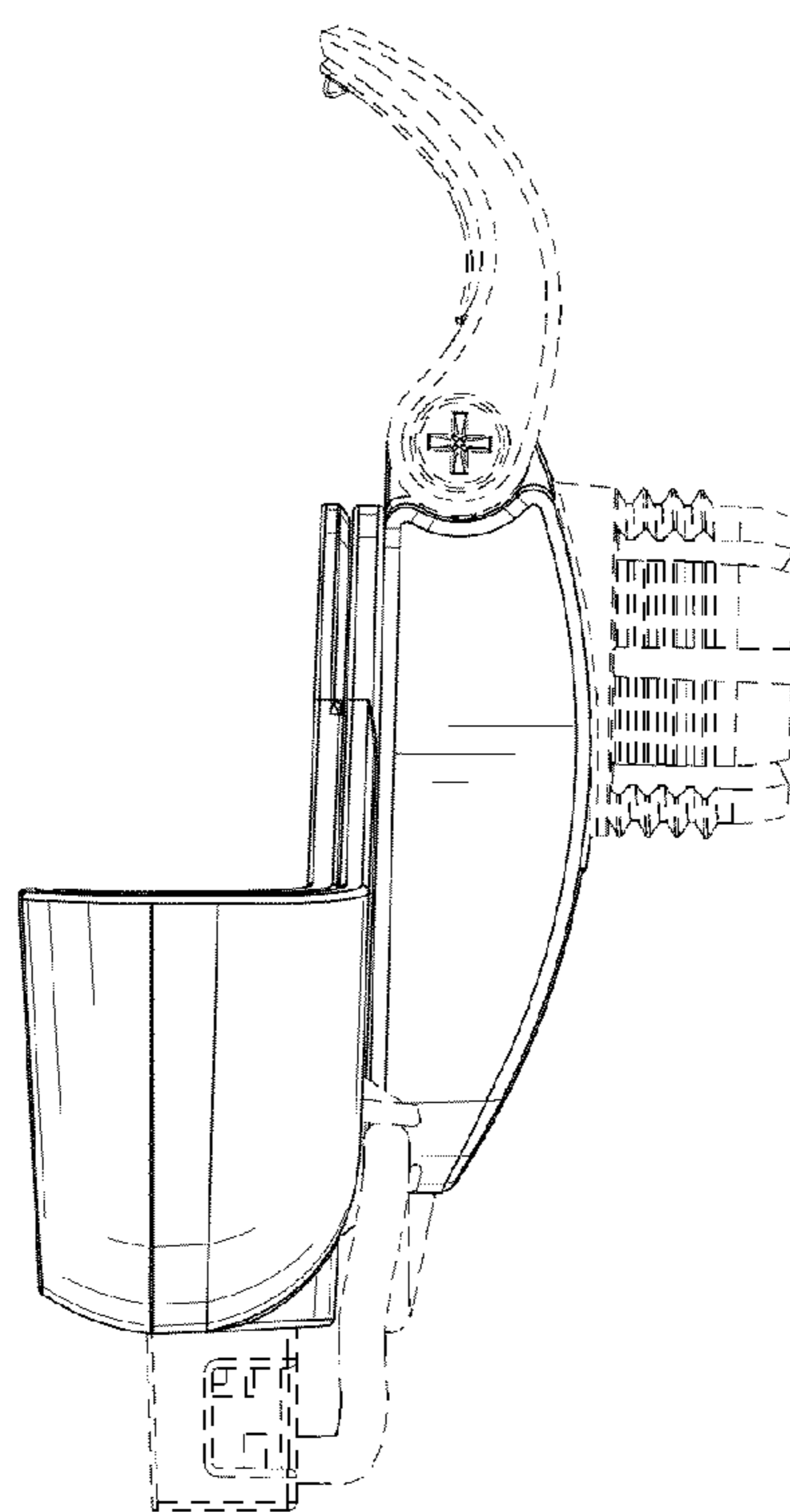


FIG. 6

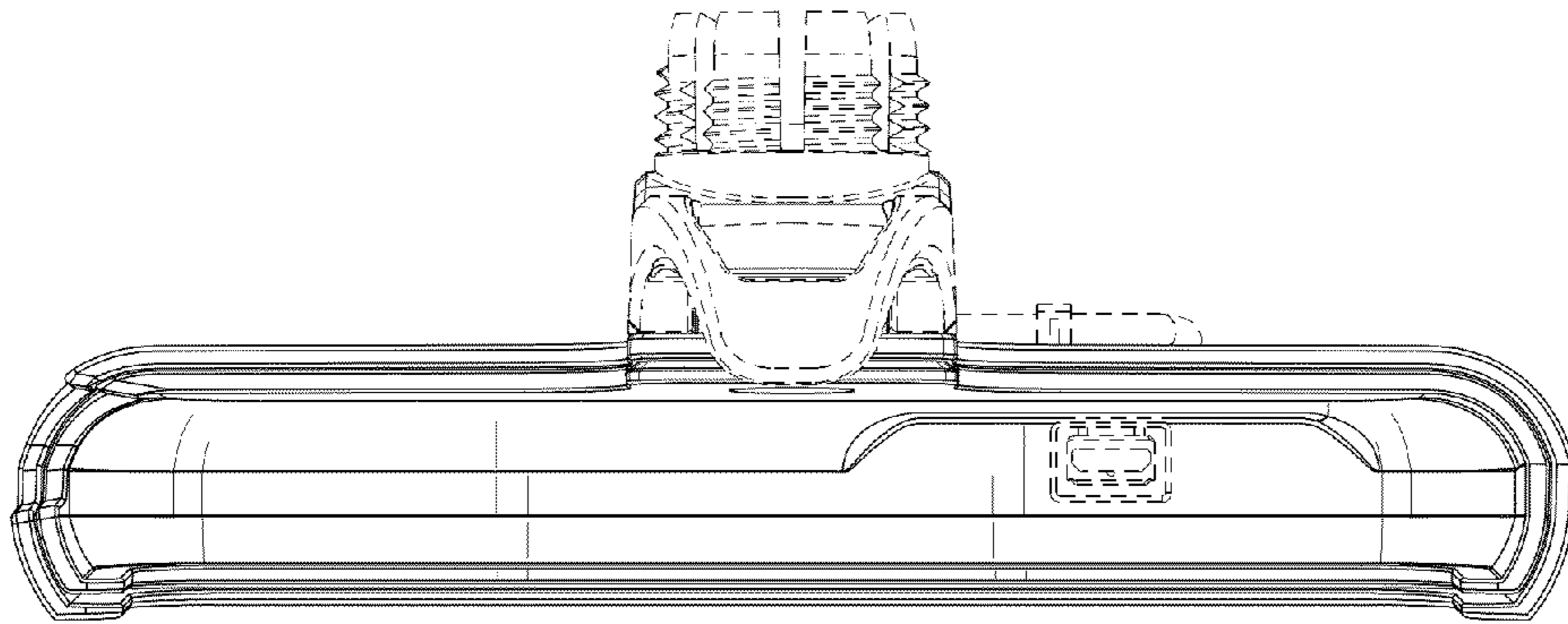


FIG. 7

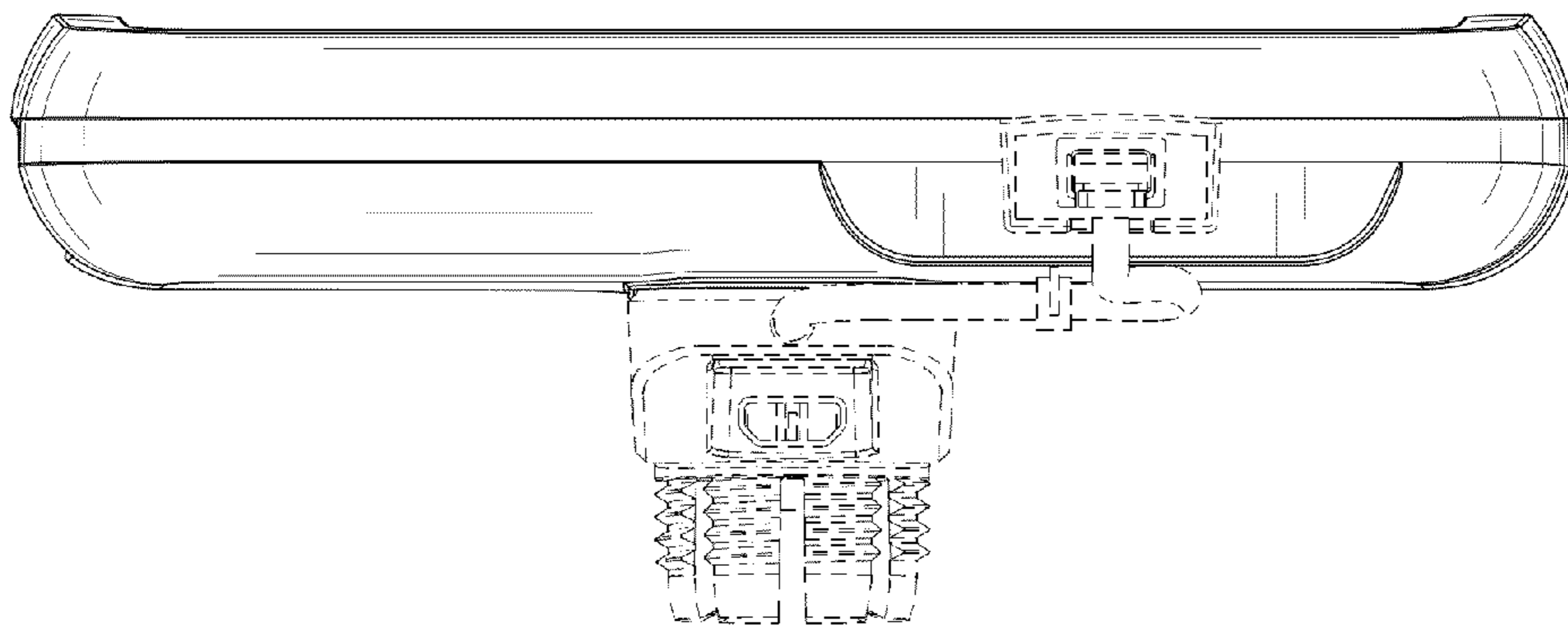


FIG. 8