



US00D693797S

(12) **United States Design Patent**  
**Isawa**

(10) **Patent No.:** **US D693,797 S**

(45) **Date of Patent:** **\*\* Nov. 19, 2013**

(54) **UNDERWATER TRANSCEIVER**

(71) Applicant: **Yamagata Casio Co., Ltd.**, Higashine (JP)

(72) Inventor: **Kazuhiro Isawa**, Higashine (JP)

(73) Assignee: **Yamagata Casio Co., Ltd.**, Yamagata (JP)

(\*\*) Term: **14 Years**

(21) Appl. No.: **29/435,548**

(22) Filed: **Oct. 25, 2012**

(30) **Foreign Application Priority Data**

Aug. 24, 2012 (JP) ..... 2012-020282

(51) **LOC (9) Cl.** ..... **14-01**

(52) **U.S. Cl.**  
USPC ..... **D14/223**

(58) **Field of Classification Search**  
USPC ..... D14/223; 181/129, 130, 135; 379/430, 379/431; 381/380, 381; 351/158; 455/90.3, 455/575.1

See application file for complete search history.

(56) **References Cited**

**U.S. PATENT DOCUMENTS**

754,361	A *	3/1904	Hall et al.	462/57
2,459,325	A *	1/1949	Knowles	381/151
2,482,044	A *	9/1949	Vernier	381/151
3,851,123	A *	11/1974	Lipinski et al.	455/351
4,683,587	A *	7/1987	Silverman	381/311
4,754,484	A *	6/1988	Larkin et al.	379/430
D326,653	S *	6/1992	Hino	D14/192
D327,886	S *	7/1992	Yan	D14/138 R
D352,706	S *	11/1994	Hong	D14/137
D364,617	S *	11/1995	Fitzgerald	D14/142
D394,436	S *	5/1998	Hall et al.	D14/206
D428,875	S *	8/2000	Gedom	D14/223
D444,142	S *	6/2001	Gedom	D14/223
D445,415	S *	7/2001	Jaakkola	D14/223

D454,554	S *	3/2002	Gedom	D14/223
D457,513	S *	5/2002	Pirelli et al.	D14/223
D460,752	S *	7/2002	Gedom	D14/223
D470,833	S *	2/2003	Rath et al.	D14/205
D475,994	S *	6/2003	Schmidt et al.	D14/223
D478,576	S *	8/2003	Leong	D14/240
7,085,543	B2 *	8/2006	Nassimi	455/90.3
D543,537	S *	5/2007	Chau	D14/218
D550,656	S *	9/2007	Gedom et al.	D14/223
D558,740	S *	1/2008	Jaakkola et al.	D14/223
D567,216	S *	4/2008	Densho	D14/205
7,461,936	B2 *	12/2008	Jannard	351/158
D607,898	S *	1/2010	Lee	D14/496
D638,409	S *	5/2011	Walter	D14/240
D659,118	S *	5/2012	Watters et al.	D14/206
D676,027	S *	2/2013	Hedrick et al.	D14/223
8,385,576	B2 *	2/2013	Hedrick et al.	381/376
8,447,061	B2 *	5/2013	Lee	381/380

\* cited by examiner

*Primary Examiner* — Paula Greene

(74) *Attorney, Agent, or Firm* — Holtz, Holtz, Goodman & Chick, PC

(57) **CLAIM**

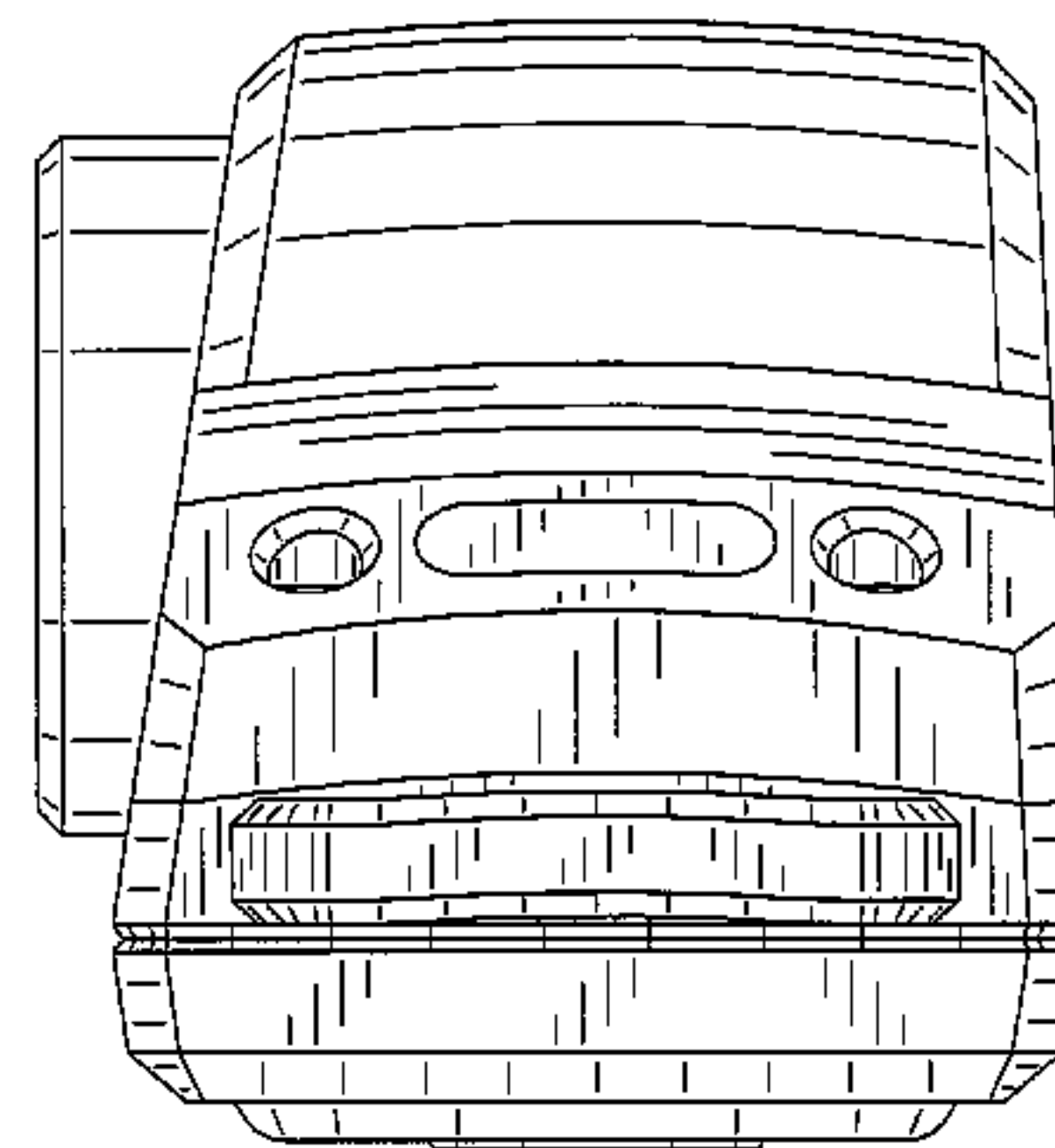
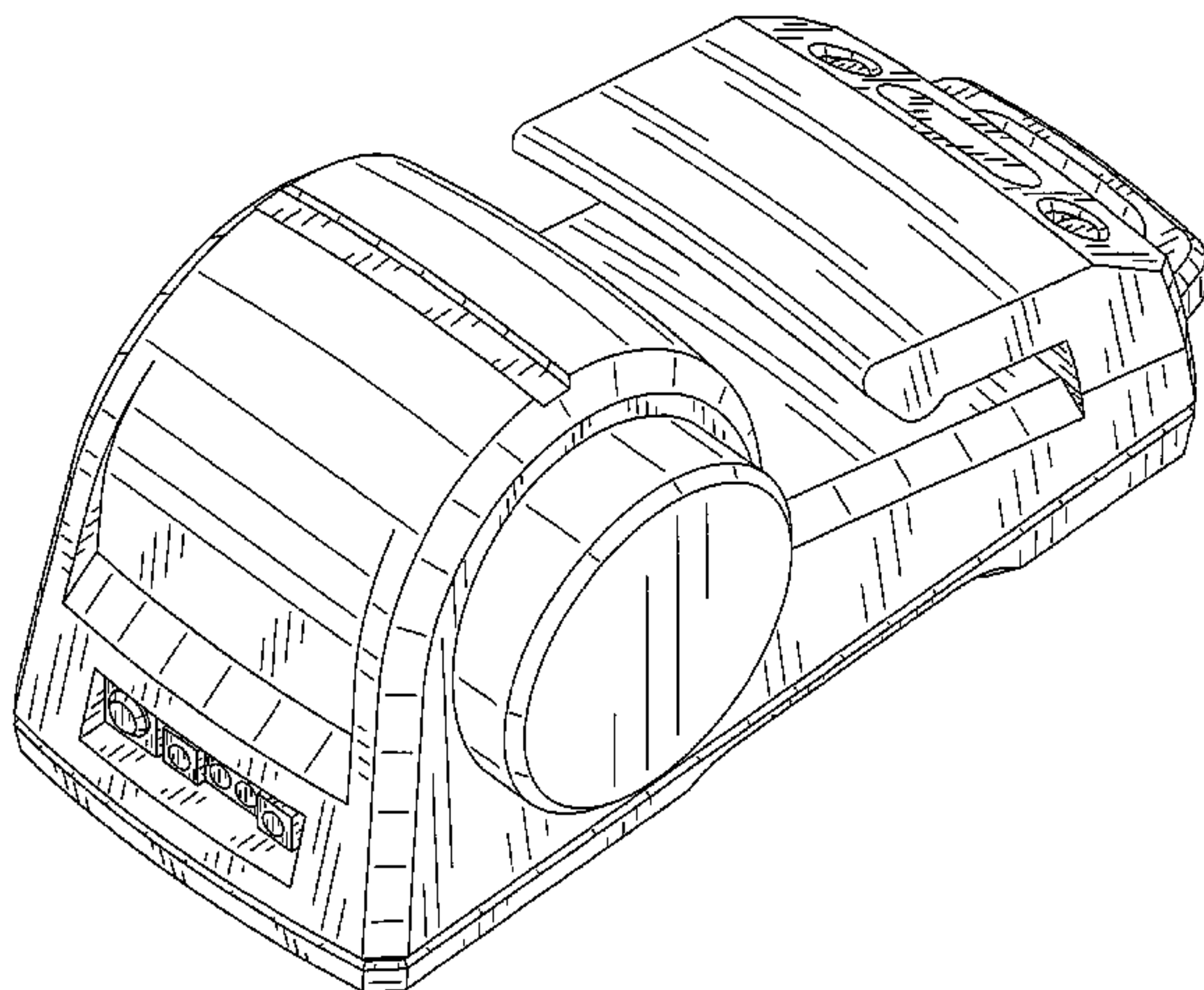
The ornamental design for an underwater transceiver, as shown and described.

**DESCRIPTION**

FIG. 1 is a front, left side, top perspective view of an underwater transceiver showing my new design; FIG. 2 is a front elevational view thereof; FIG. 3 is a rear elevational view thereof; FIG. 4 is a left side view thereof; FIG. 5 is a right side view thereof; FIG. 6 is a top plan view thereof; FIG. 7 is a bottom plan view thereof; FIG. 8 is a front, right side, top perspective view thereof; and, FIG. 9 is a reference view thereof showing a state in which this article is used.

The portions in broken lines are shown for illustrative purposes only and form no part of the claimed design.

**1 Claim, 8 Drawing Sheets**



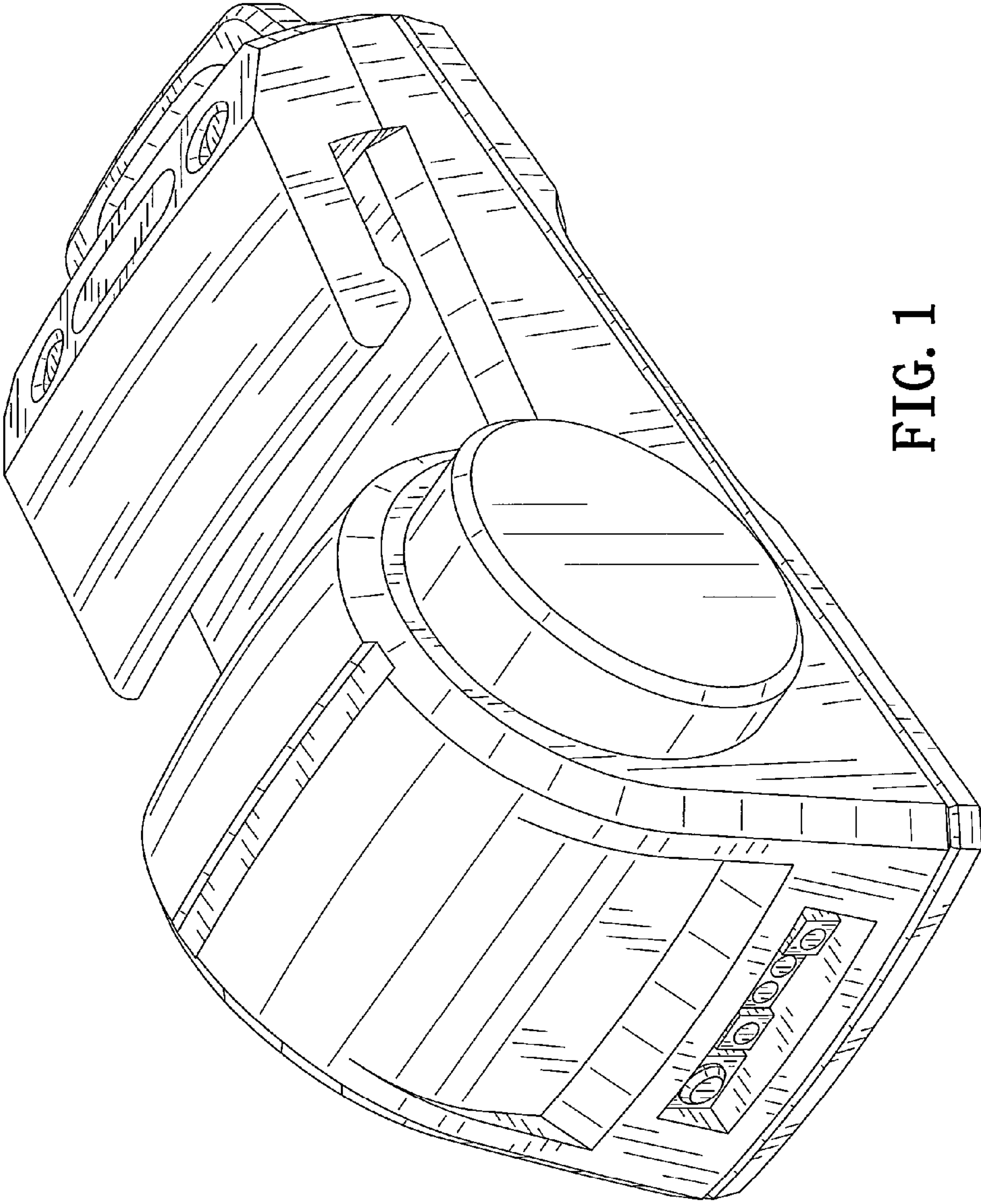


FIG. 1

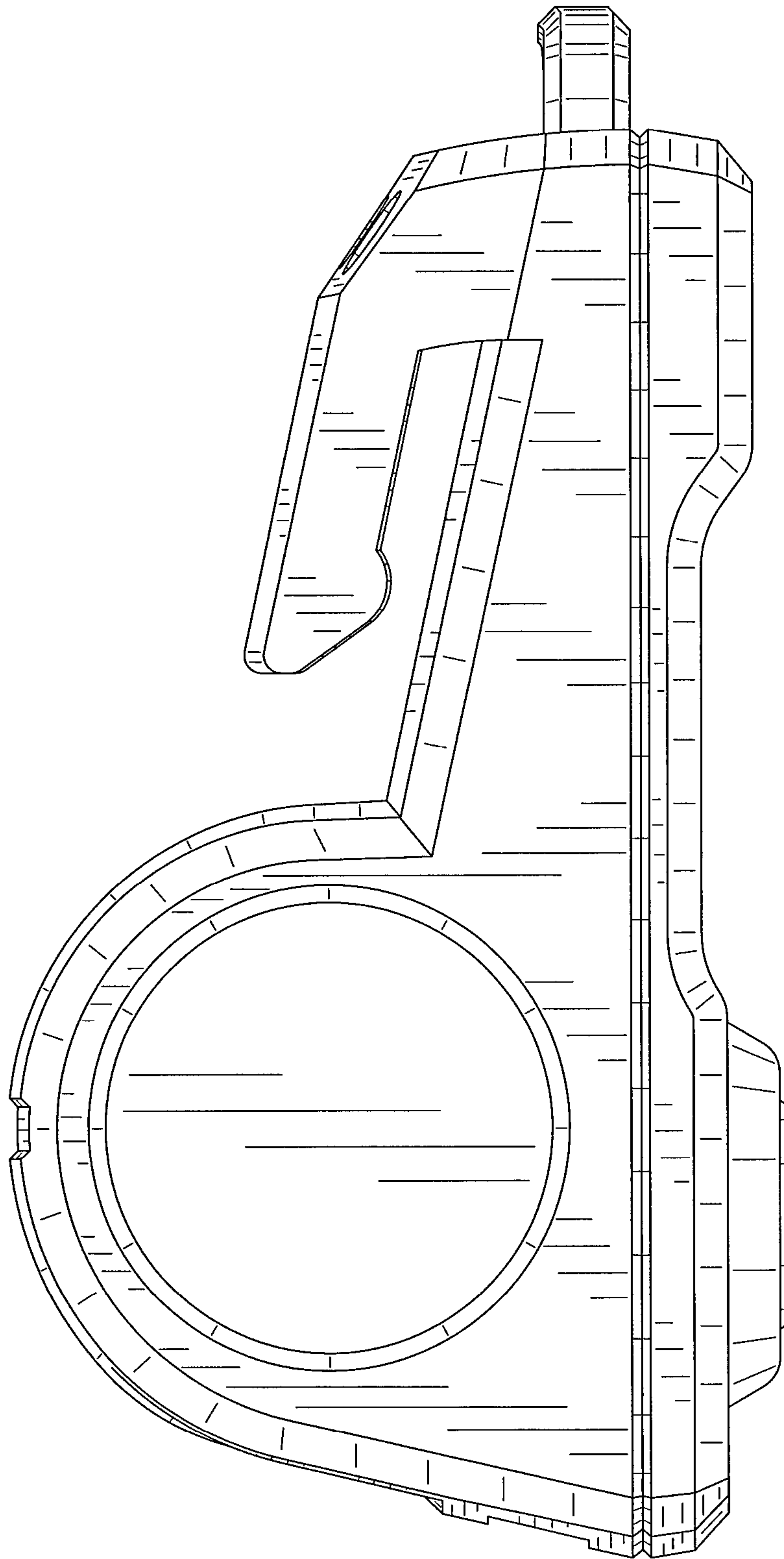


FIG. 2



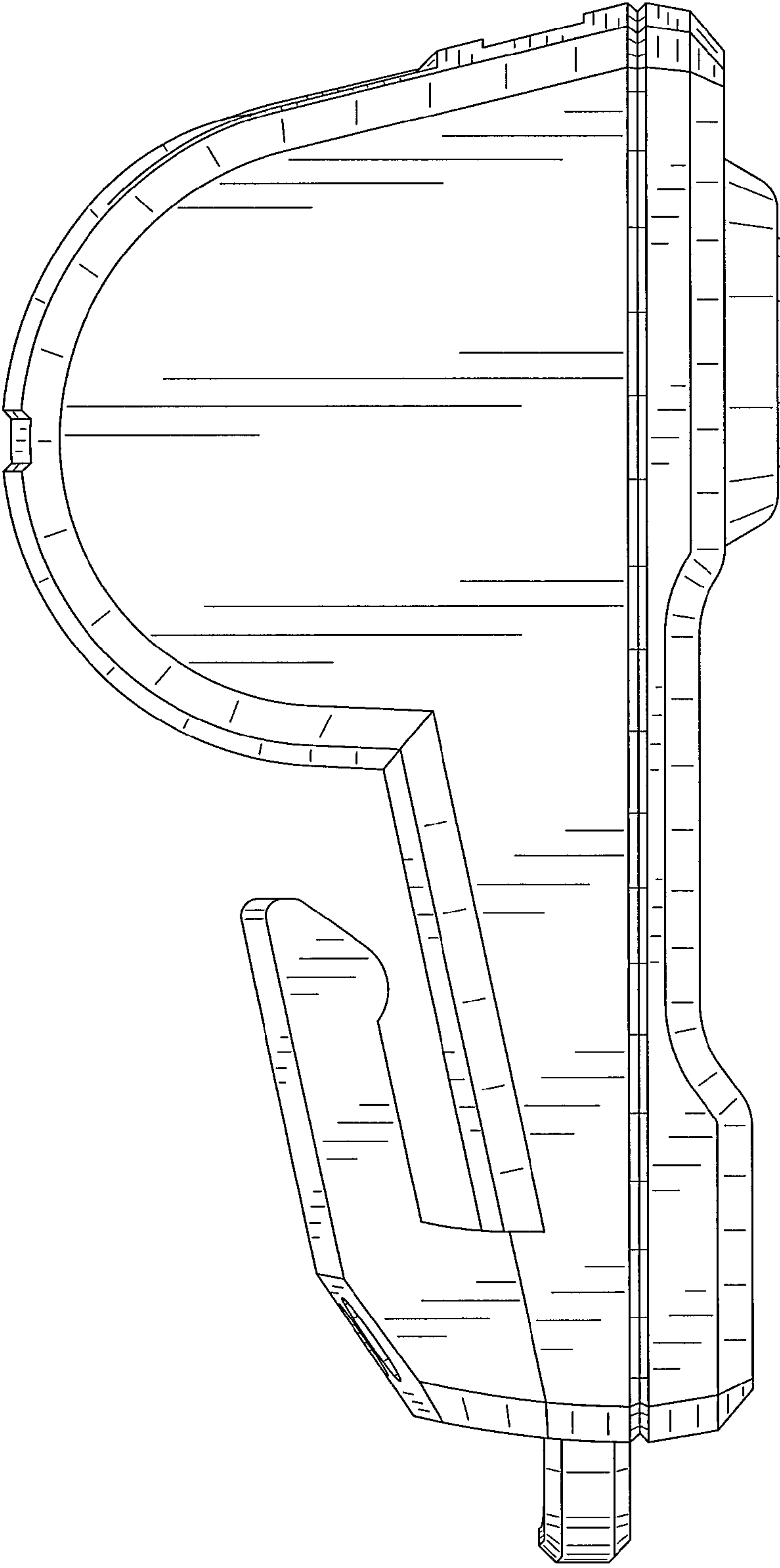


FIG. 3

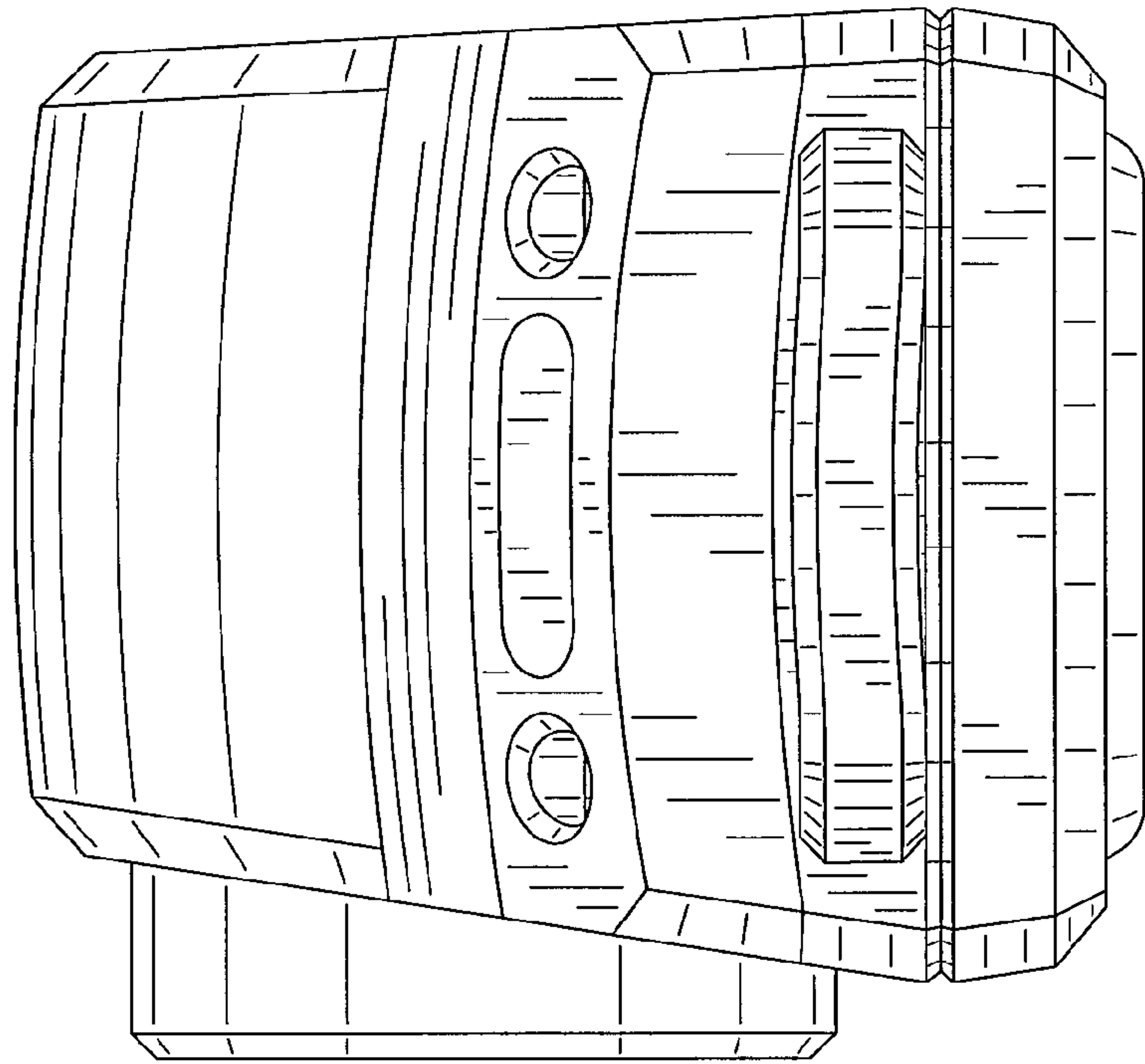


FIG. 5

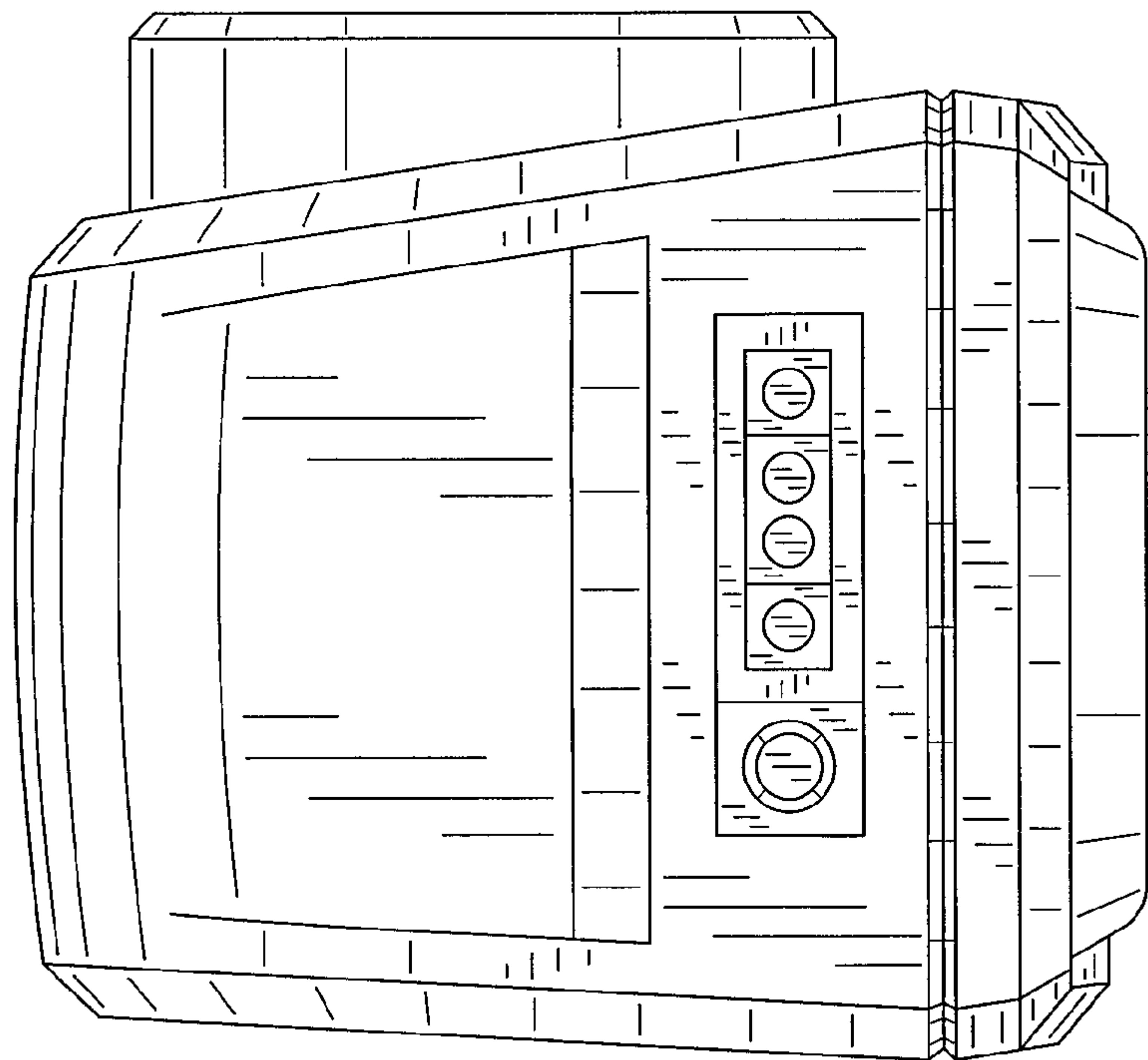


FIG. 4

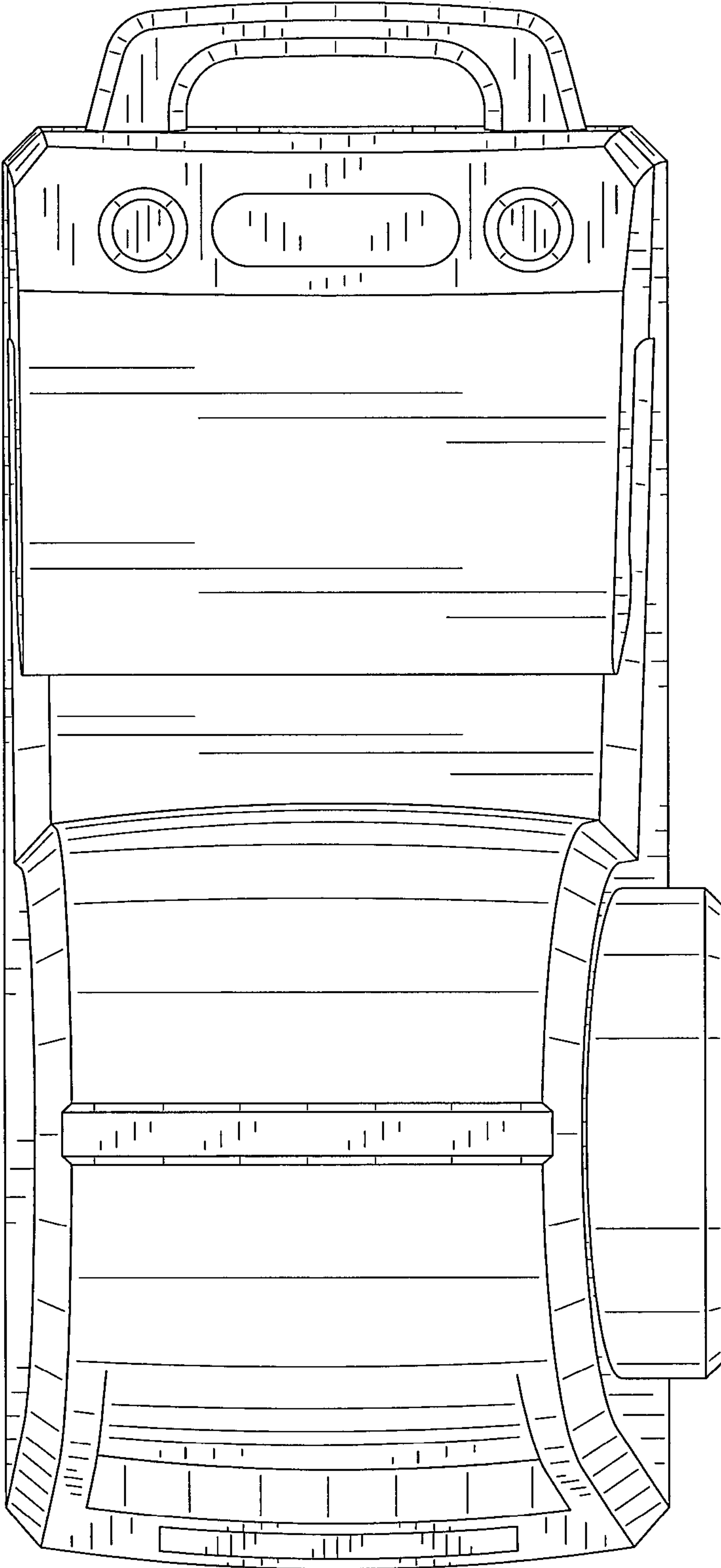


FIG. 6

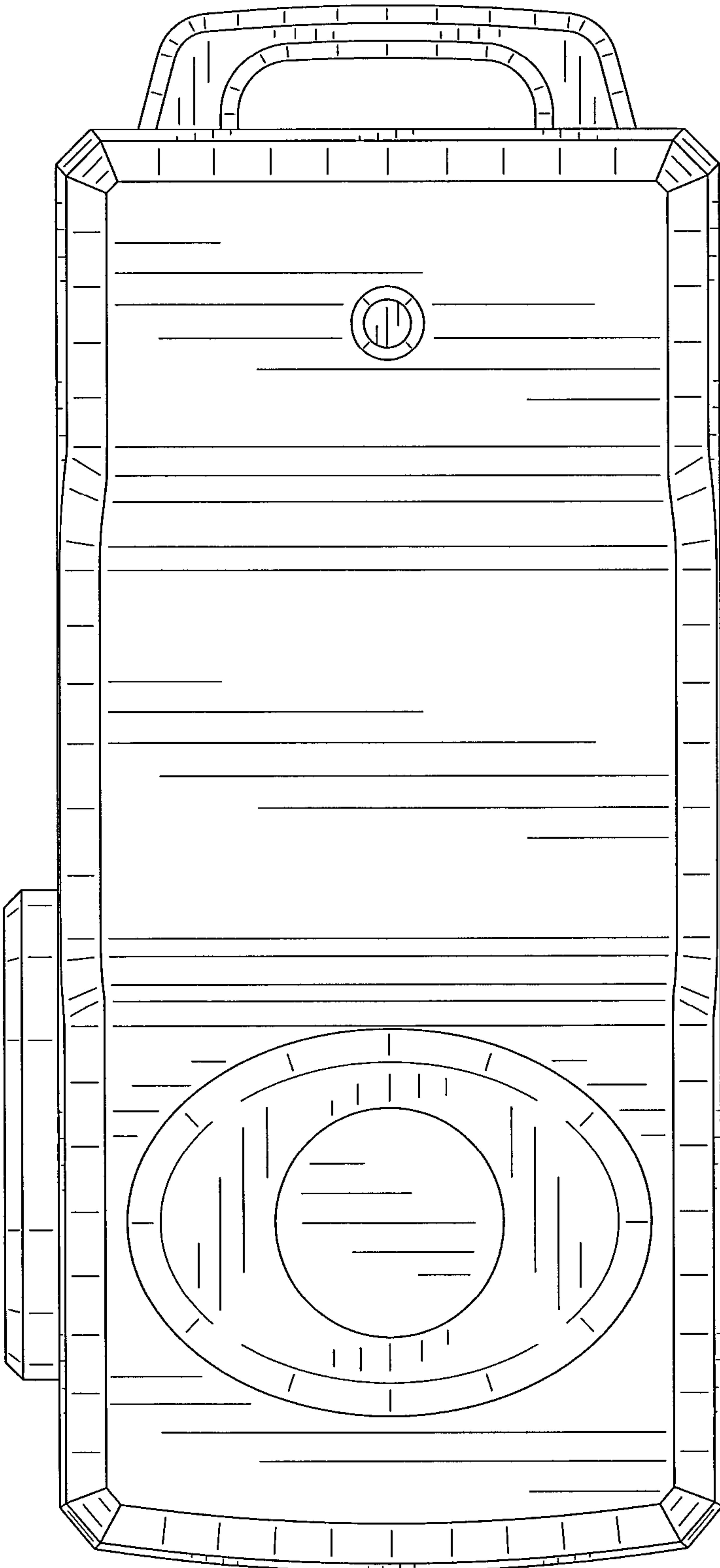


FIG. 7

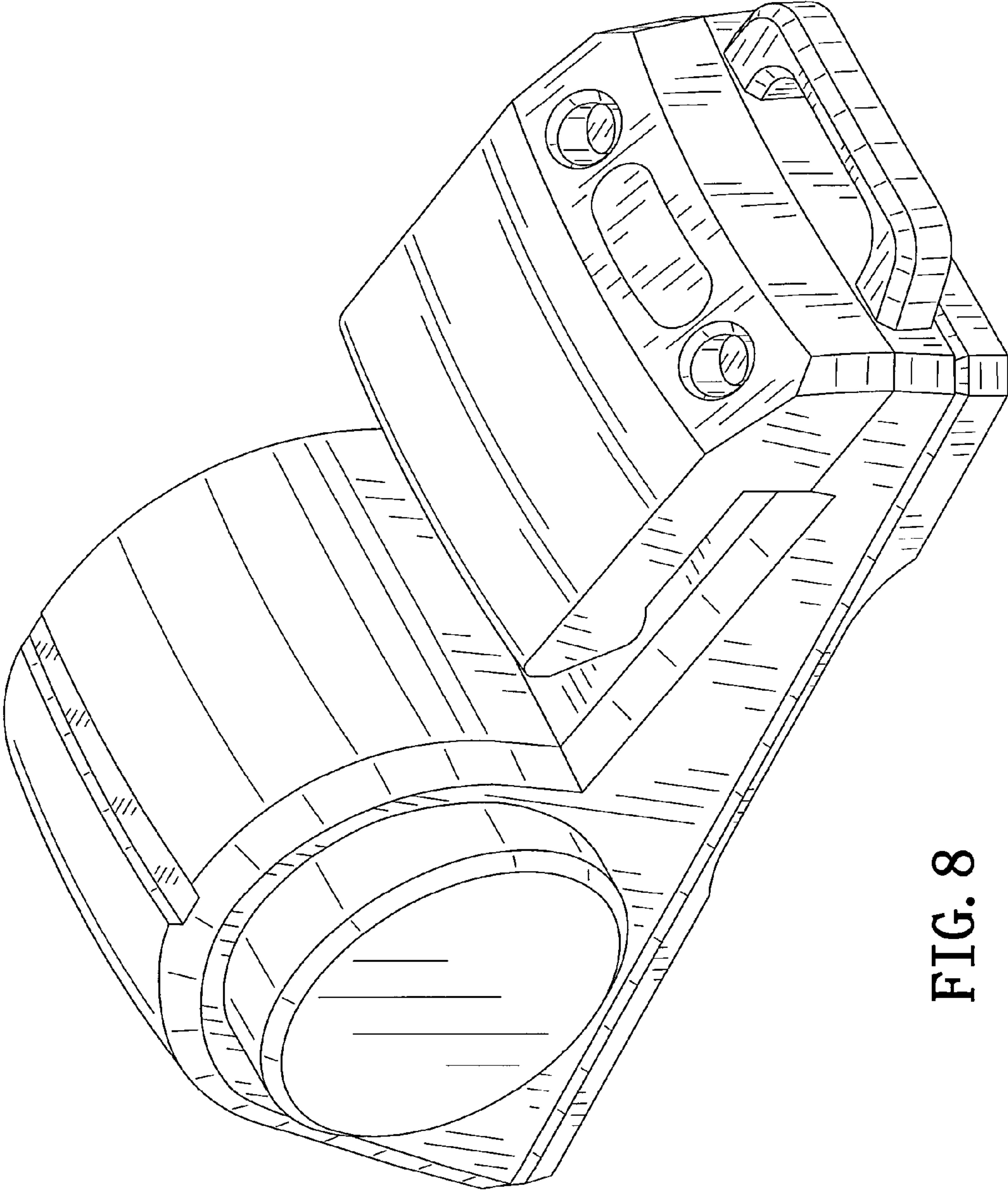


FIG. 8



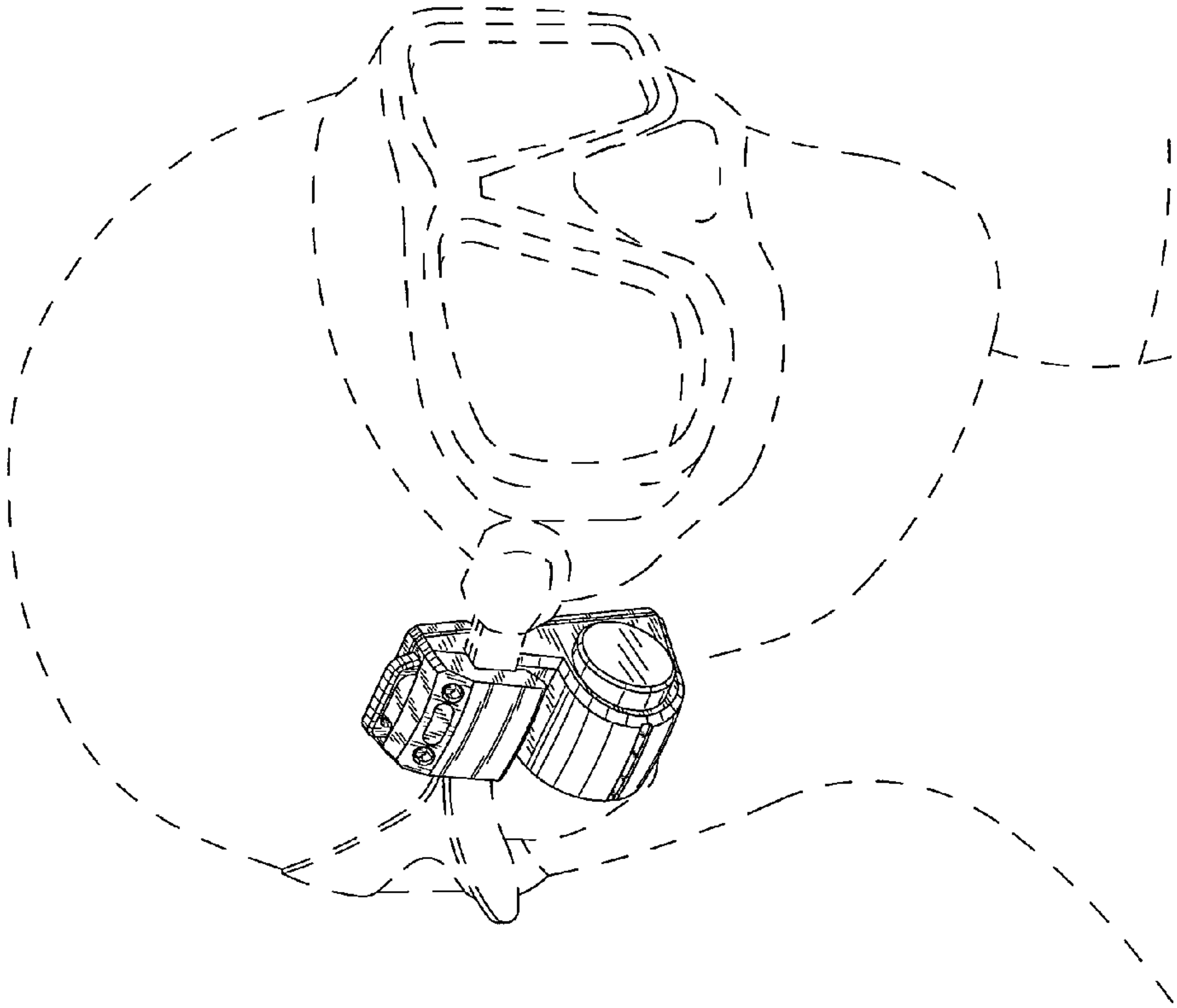


FIG. 9