



US00D693796S

(12) **United States Design Patent**
Birger

(10) **Patent No.:** **US D693,796 S**

(45) **Date of Patent:** **** Nov. 19, 2013**

(54) **HEADSET**

(71) Applicant: **Johan Birger**, Malmo (SE)

(72) Inventor: **Johan Birger**, Malmo (SE)

(73) Assignee: **GN Netcom A/S** (DK)

(**) Term: **14 Years**

(21) Appl. No.: **29/432,791**

(22) Filed: **Sep. 20, 2012**

(30) **Foreign Application Priority Data**

Mar. 23, 2012 (EM) 001992843-001

(51) **LOC (9) Cl.** **14-01**

(52) **U.S. Cl.**
USPC **D14/223**

(58) **Field of Classification Search**
USPC D14/223, 218, 214, 240, 496; 181/129,
181/130, 135; 379/430, 431; 381/380, 381;
455/90.3, 575.1

See application file for complete search history.

(56) **References Cited**

U.S. PATENT DOCUMENTS

D535,974 S *	1/2007	Alwicker et al.	D14/188
D538,271 S *	3/2007	Kim et al.	D14/223
D579,923 S *	11/2008	Andre et al.	D14/223
D581,396 S *	11/2008	Wikel et al.	D14/206
D582,897 S *	12/2008	Christopher et al.	D14/223
D585,431 S *	1/2009	Bradford et al.	D14/223

D588,113 S *	3/2009	Bradford	D14/223
D598,900 S *	8/2009	Wikel et al.	D14/223
D602,007 S *	10/2009	Lee et al.	D14/223
D603,378 S *	11/2009	Paradise	D14/223
D604,722 S *	11/2009	Mistry	D14/223
D616,873 S *	6/2010	Olivier	D14/223
D636,381 S *	4/2011	Liner	D14/223
D640,242 S *	6/2011	Fahrendorff et al.	D14/223
D643,420 S *	8/2011	Huang	D14/223
D649,957 S *	12/2011	Fahrendorff et al.	D14/223
D651,590 S *	1/2012	Kang et al.	D14/224
D655,694 S *	3/2012	Hanks et al.	D14/223
D655,695 S *	3/2012	Hanks et al.	D14/223
D656,490 S *	3/2012	Birger	D14/223
D657,781 S *	4/2012	Yang	D14/223
D664,950 S *	8/2012	Rye et al.	D14/223
D665,384 S *	8/2012	Birger	D14/223
8,285,208 B2 *	10/2012	Terlizzi	455/41.2

* cited by examiner

Primary Examiner — Paula Greene

(74) *Attorney, Agent, or Firm* — Altera Law Group, LLC

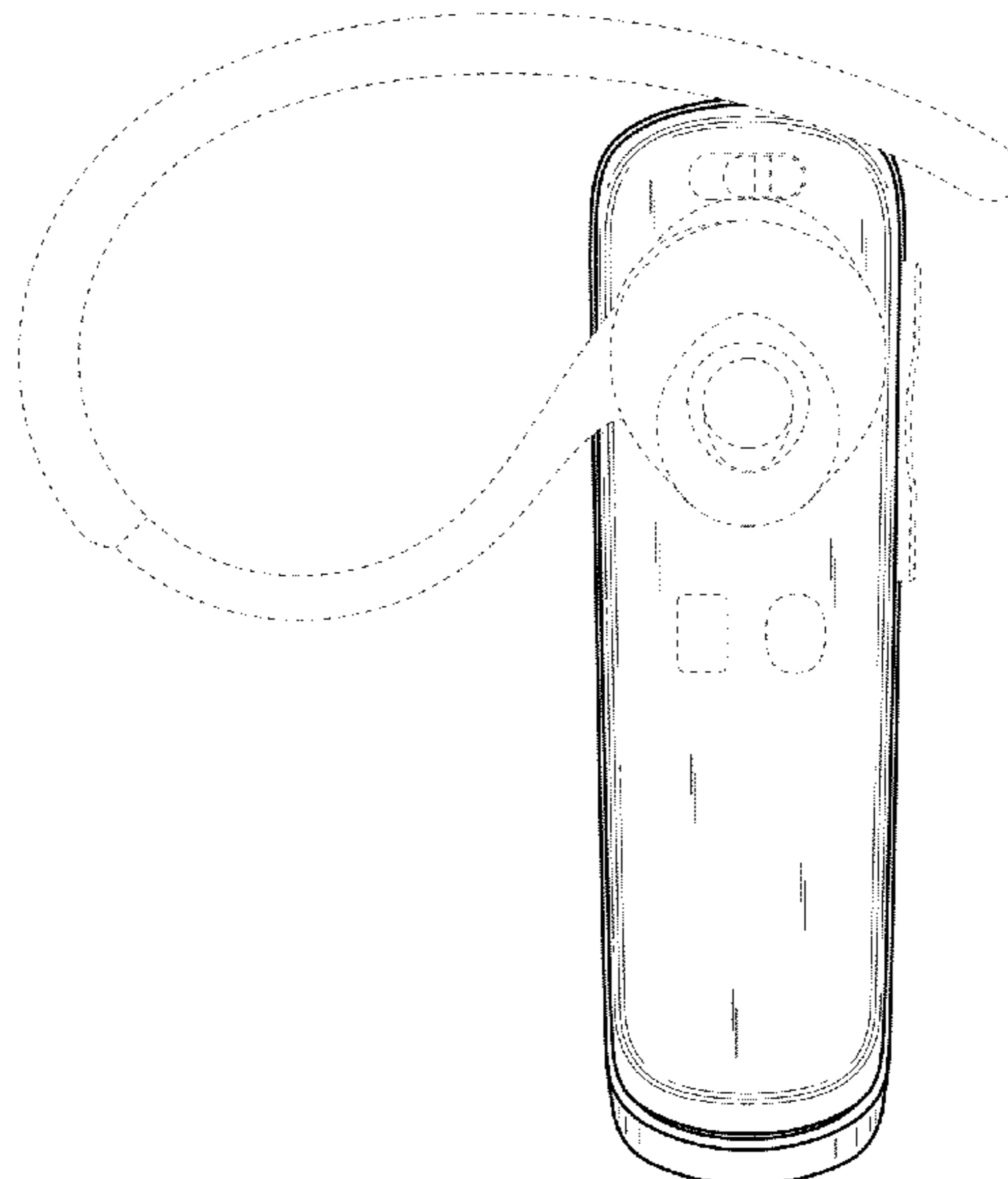
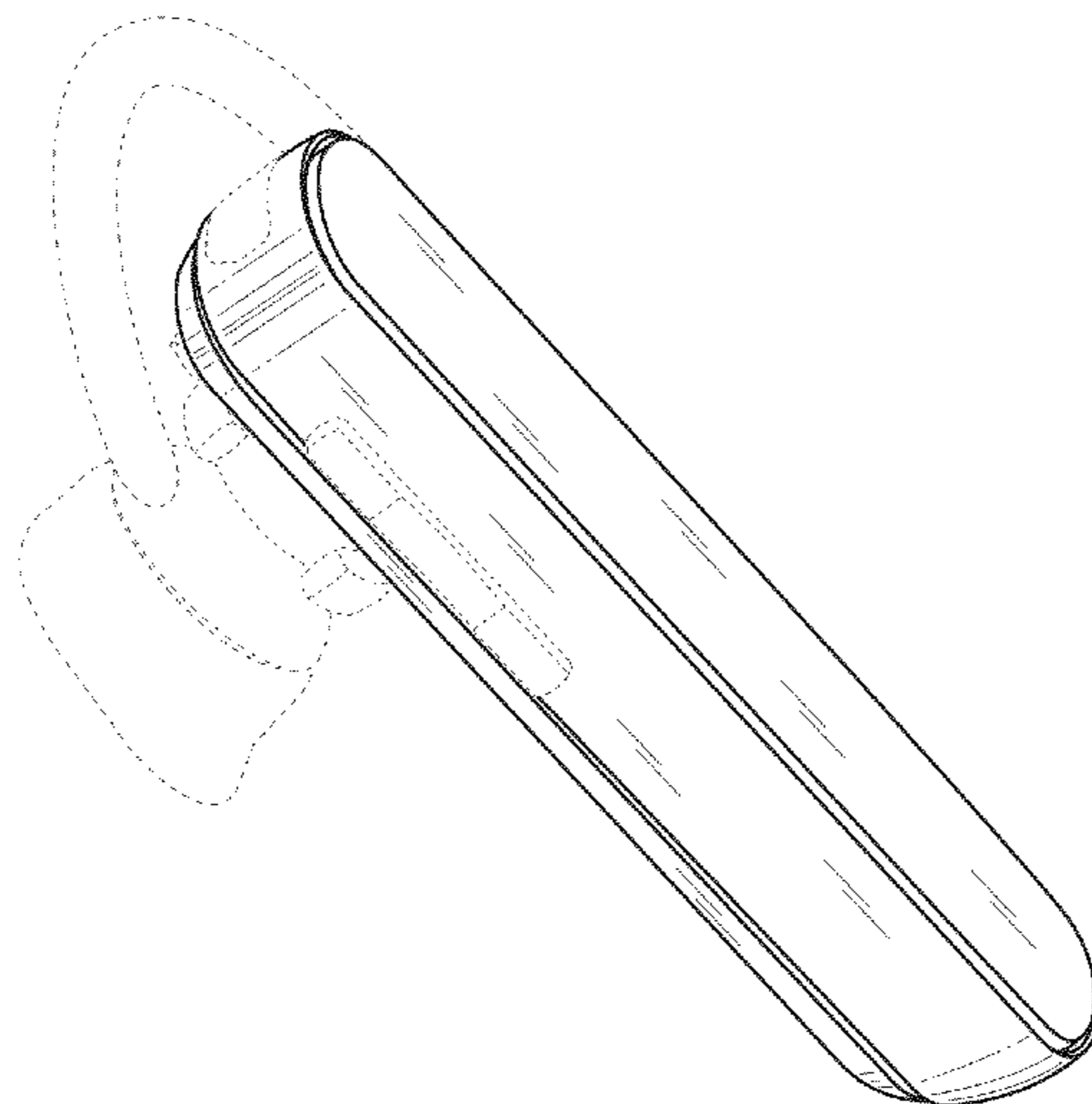
(57) **CLAIM**

The ornamental design for a headset, as shown and described.

DESCRIPTION

FIG. 1 is a perspective view of the headset.
FIG. 2 is a top plan view thereof.
FIG. 3 is a bottom plan view thereof.
FIG. 4 is a side plan view (both sides are symmetric) thereof.
FIG. 5 is the other side plan view thereof.
FIG. 6 is an end plan view thereof; and,
FIG. 7 is the other end plan view thereof.
The broken lines form no part of the claimed design.

1 Claim, 4 Drawing Sheets



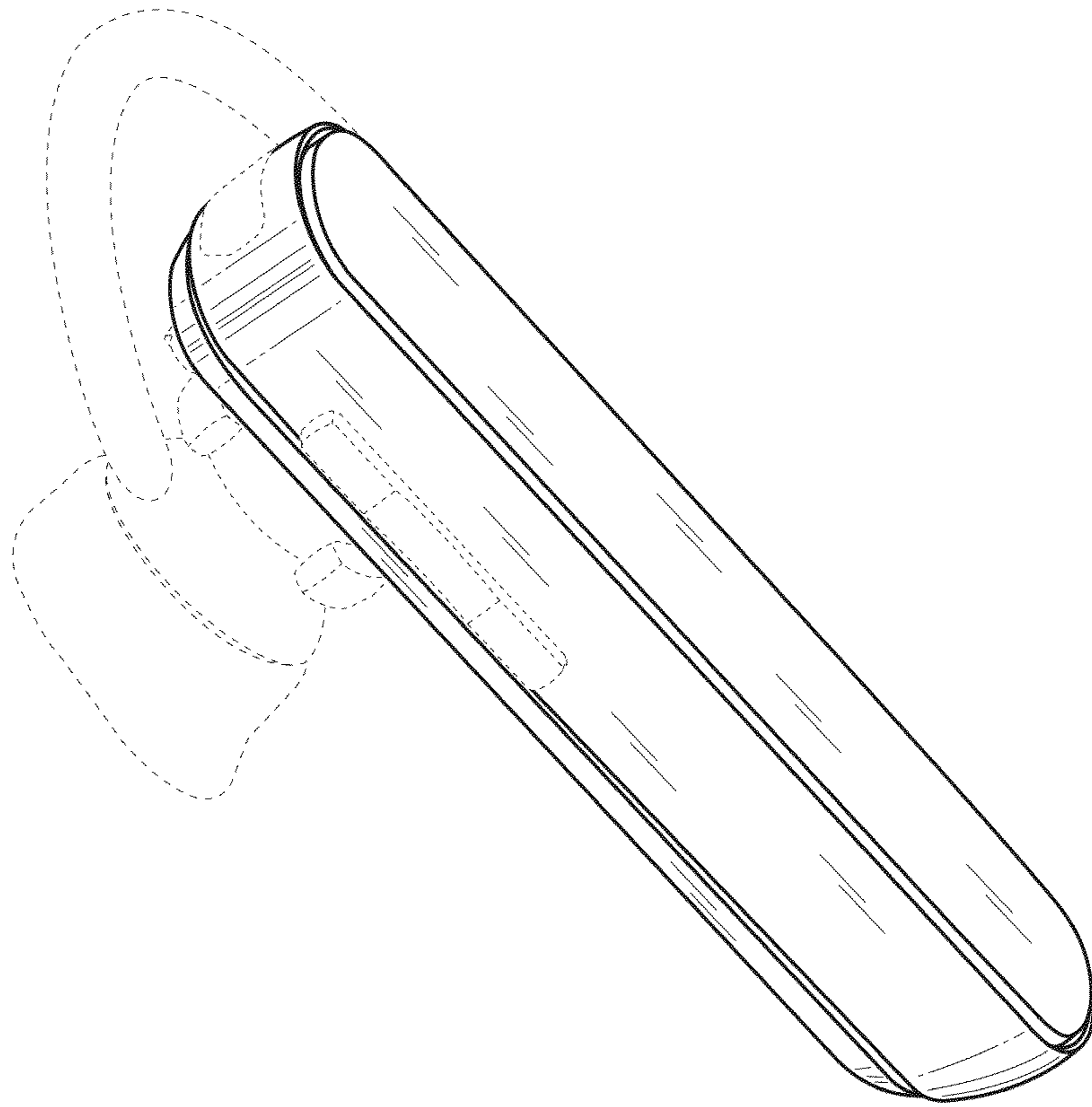


Fig. 1

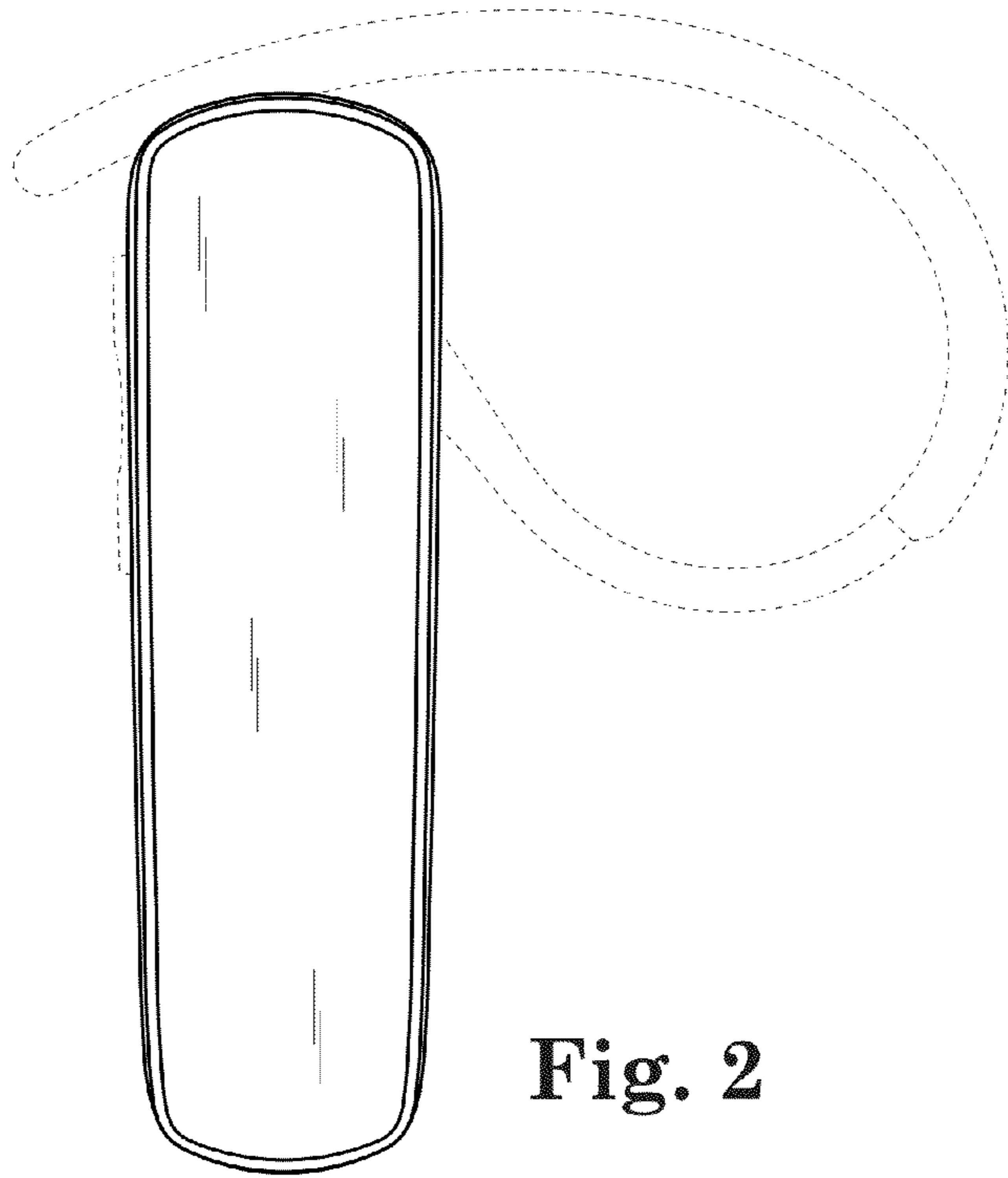


Fig. 2

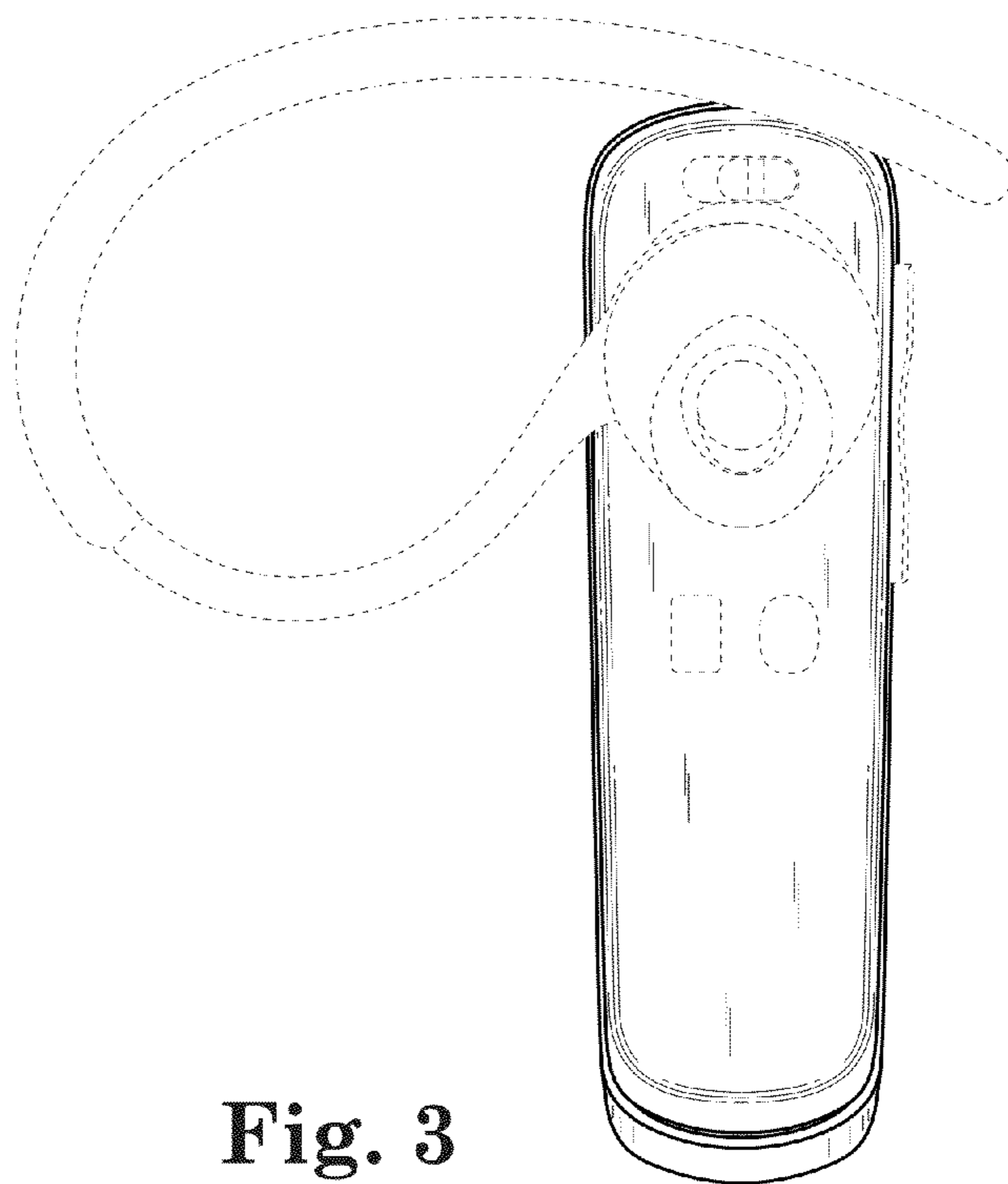


Fig. 3

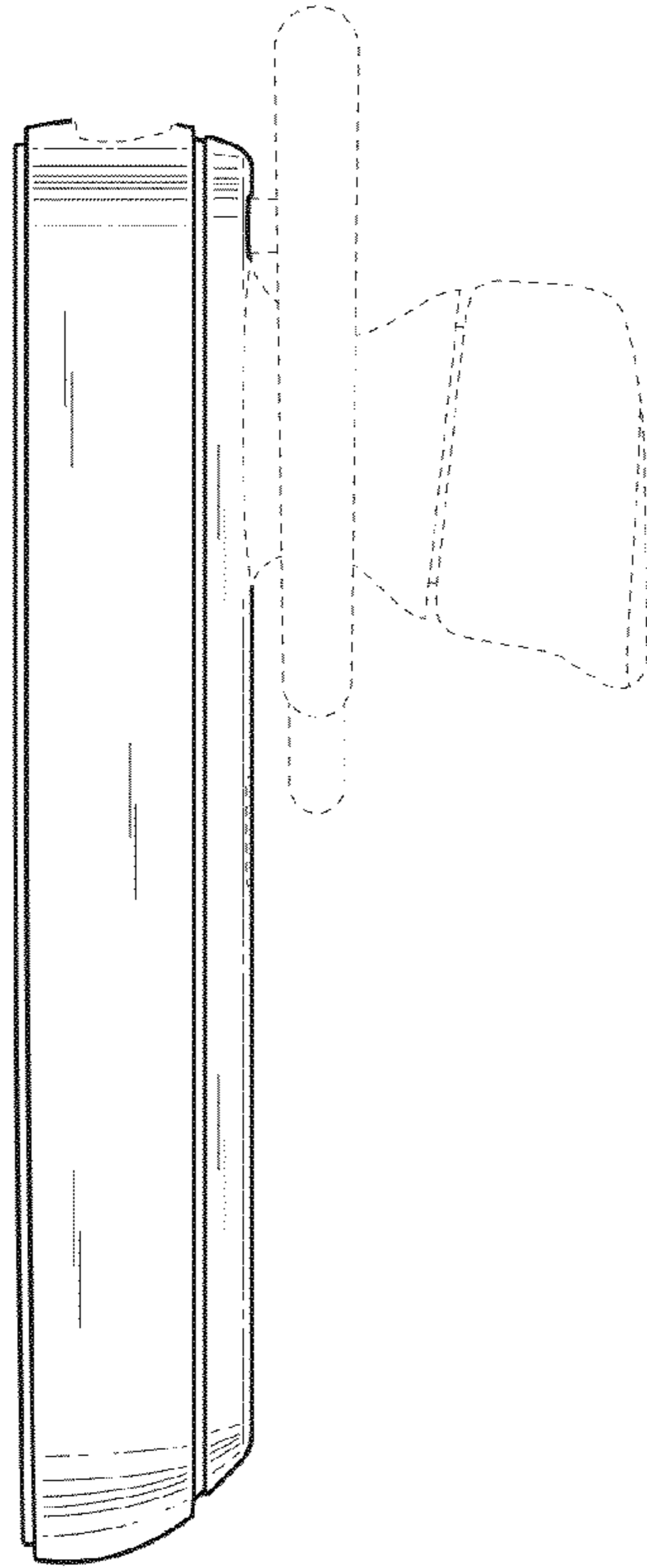


Fig. 4

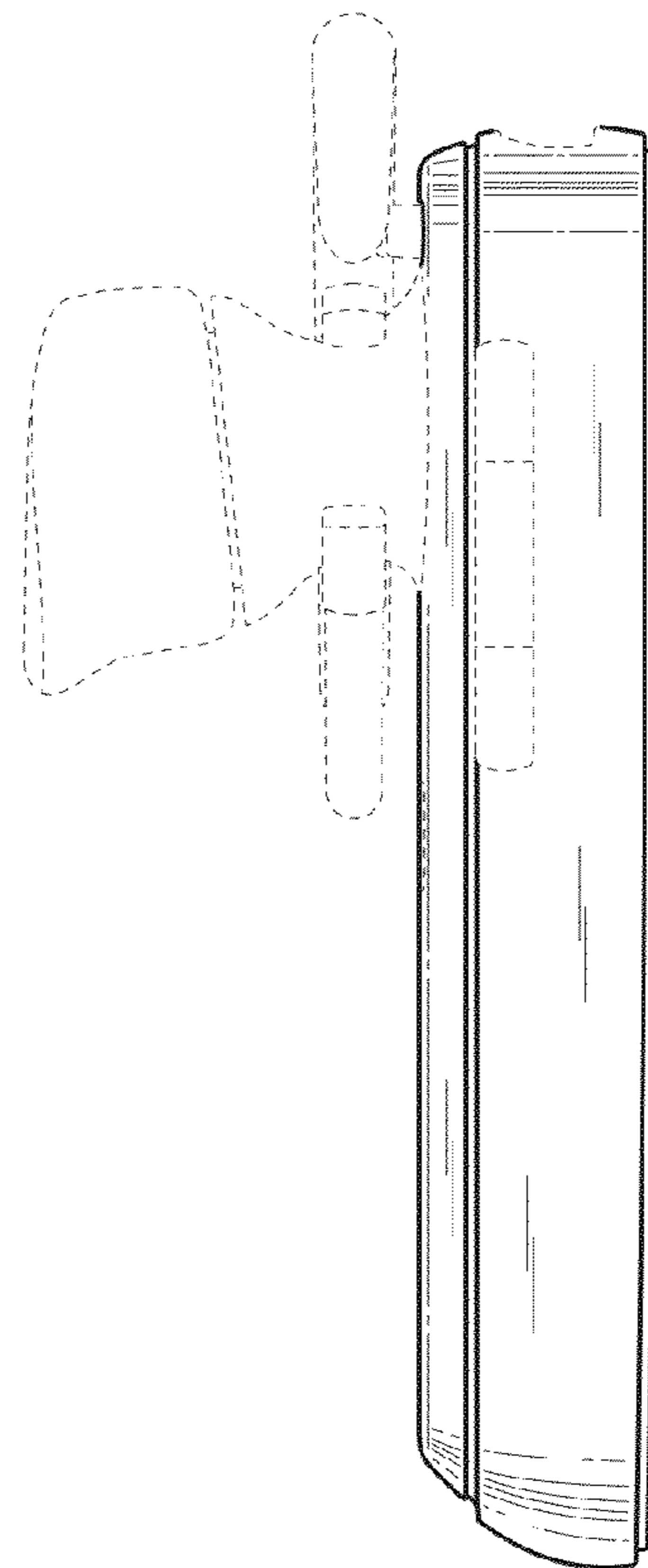


Fig. 5

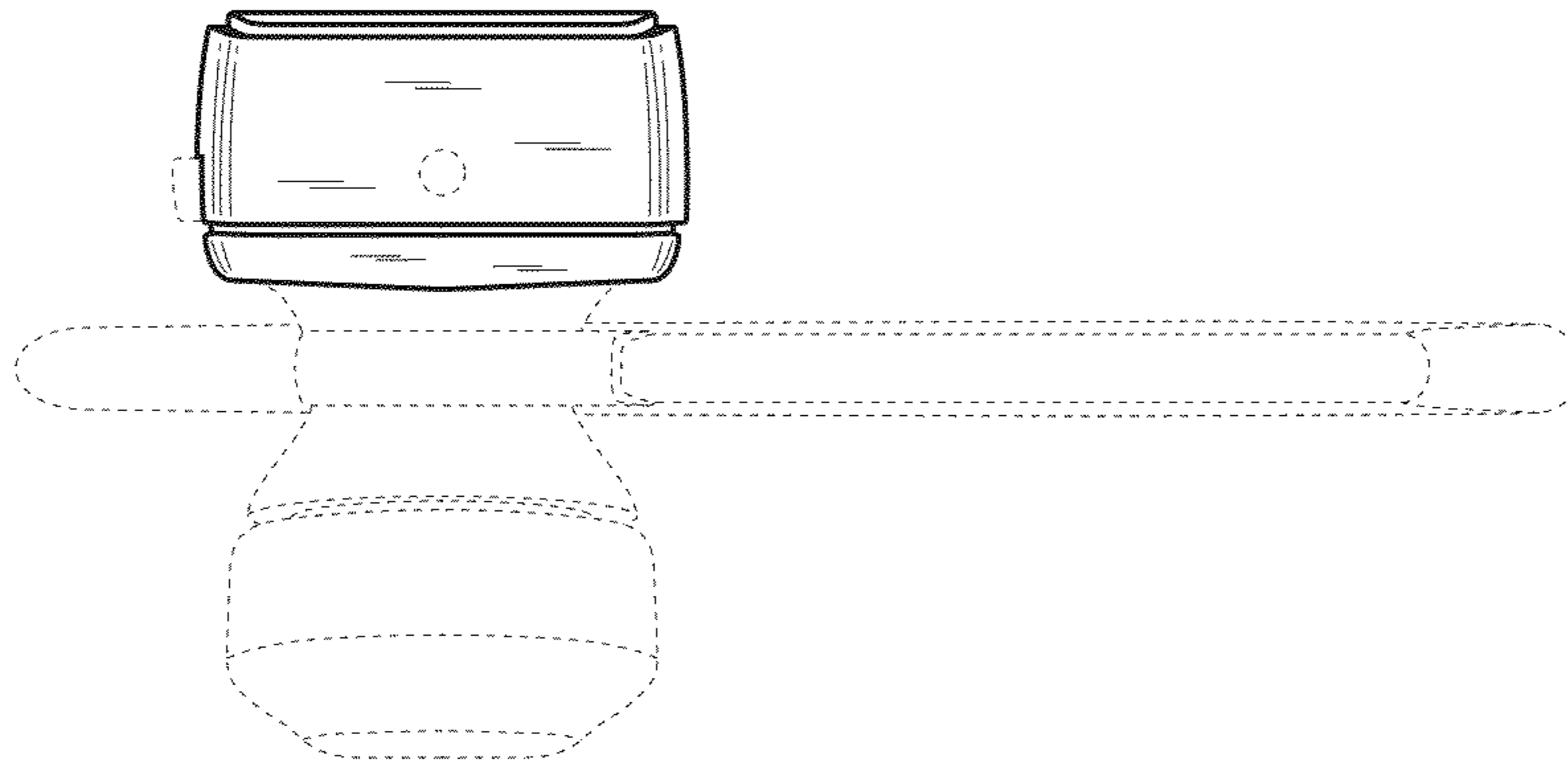


Fig. 6

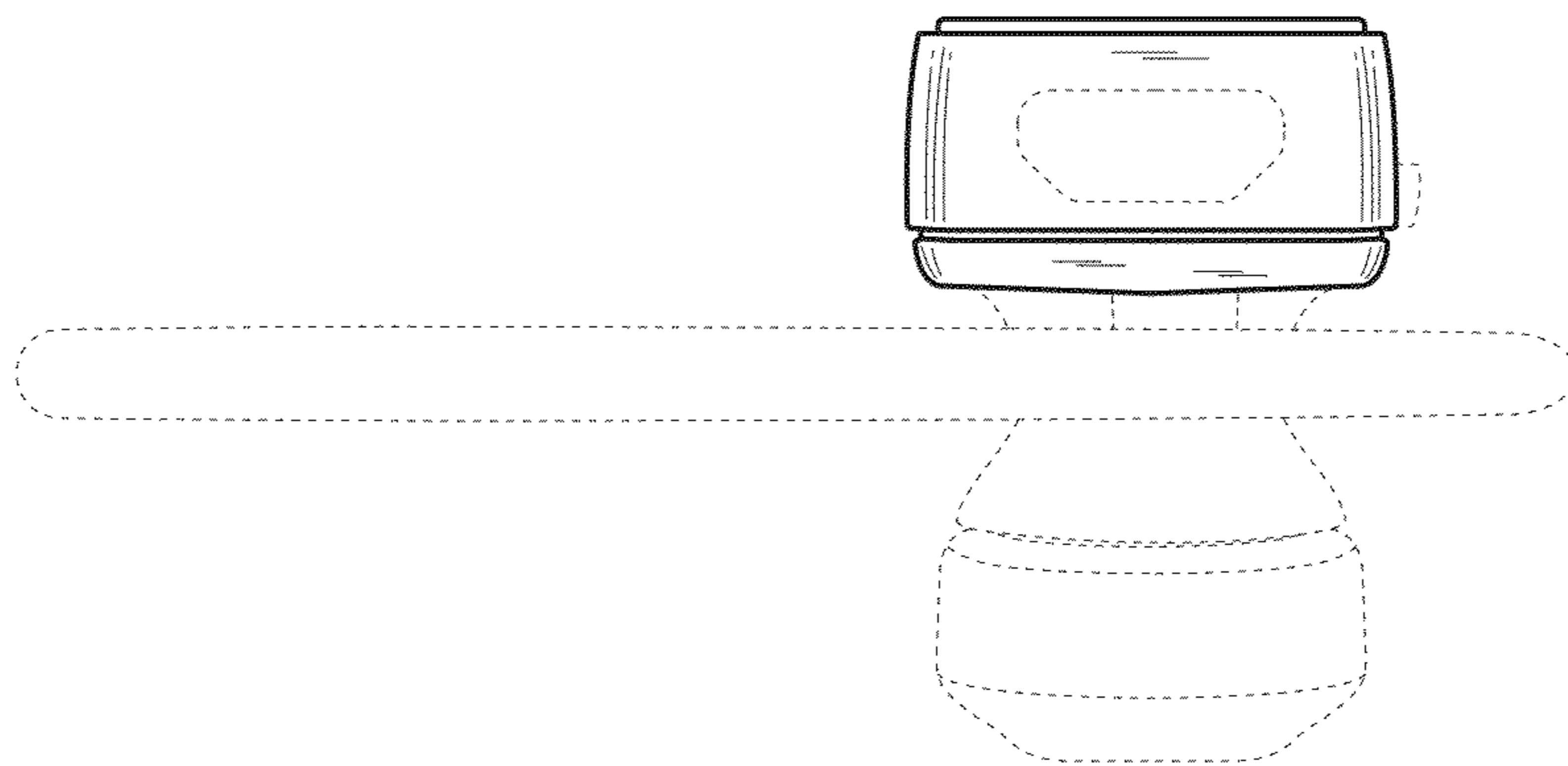


Fig. 7