



US00D693791S

(12) **United States Design Patent**
Troy

(10) **Patent No.:** **US D693,791 S**

(45) **Date of Patent:** **** Nov. 19, 2013**

(54) **HEADPHONES**

(71) Applicant: **ESI Cases & Accessories, Inc.**, New York, NY (US)

(72) Inventor: **Christopher Troy**, Great Neck, NY (US)

(73) Assignee: **ESI Cases & Accessories, Inc.**, New York, NY (US)

(**) Term: **14 Years**

(21) Appl. No.: **29/436,879**

(22) Filed: **Nov. 9, 2012**

(51) **LOC (9) Cl.** **14-01**

(52) **U.S. Cl.**
USPC **D14/205**

(58) **Field of Classification Search**
USPC D14/205, 206, 223; D29/112; 2/209;
181/129, 130, 135; 379/430, 431;
381/380, 381, 385; 455/90.3, 575.1
See application file for complete search history.

(56) **References Cited**

U.S. PATENT DOCUMENTS

D246,519 S *	11/1977	Kato	D14/205
D292,205 S *	10/1987	Kikutani	D14/205
D300,133 S *	3/1989	Daidoh et al.	D14/205
D317,767 S *	6/1991	Banks	D14/205
5,095,382 A *	3/1992	Abe	398/202
D328,461 S *	8/1992	Daido et al.	D14/205
D338,010 S *	8/1993	Yamatogi	D14/205
D351,172 S *	10/1994	Nakamura et al.	D14/205
D358,389 S *	5/1995	Isono	D14/205
D381,336 S *	7/1997	Bungardt et al.	D14/205
D430,140 S *	8/2000	Roman	D14/205
D491,163 S *	6/2004	Green	D14/205
D538,261 S *	3/2007	Taylor et al.	D14/205
D541,255 S *	4/2007	Taylor et al.	D14/205
D552,077 S *	10/2007	Brunner et al.	D14/205
D632,668 S *	2/2011	Brunner et al.	D14/205
D652,405 S *	1/2012	Lee et al.	D14/205
D657,344 S *	4/2012	Brunner et al.	D14/205

D664,117 S *	7/2012	Tappeiner et al.	D14/205
D666,991 S *	9/2012	Lee et al.	D14/205
D669,451 S *	10/2012	Tappeiner et al.	D14/205
D671,522 S *	11/2012	Lee et al.	D14/205
D673,518 S *	1/2013	Tan	D14/205
D673,520 S *	1/2013	Tan	D14/205
D677,648 S *	3/2013	Lee et al.	D14/206
D678,860 S *	3/2013	Hagelin	D14/205
D683,329 S *	5/2013	Hagelin	D14/205

* cited by examiner

Primary Examiner — Paula Greene

(74) *Attorney, Agent, or Firm* — Amster, Rothstein & Ebenstein LLP

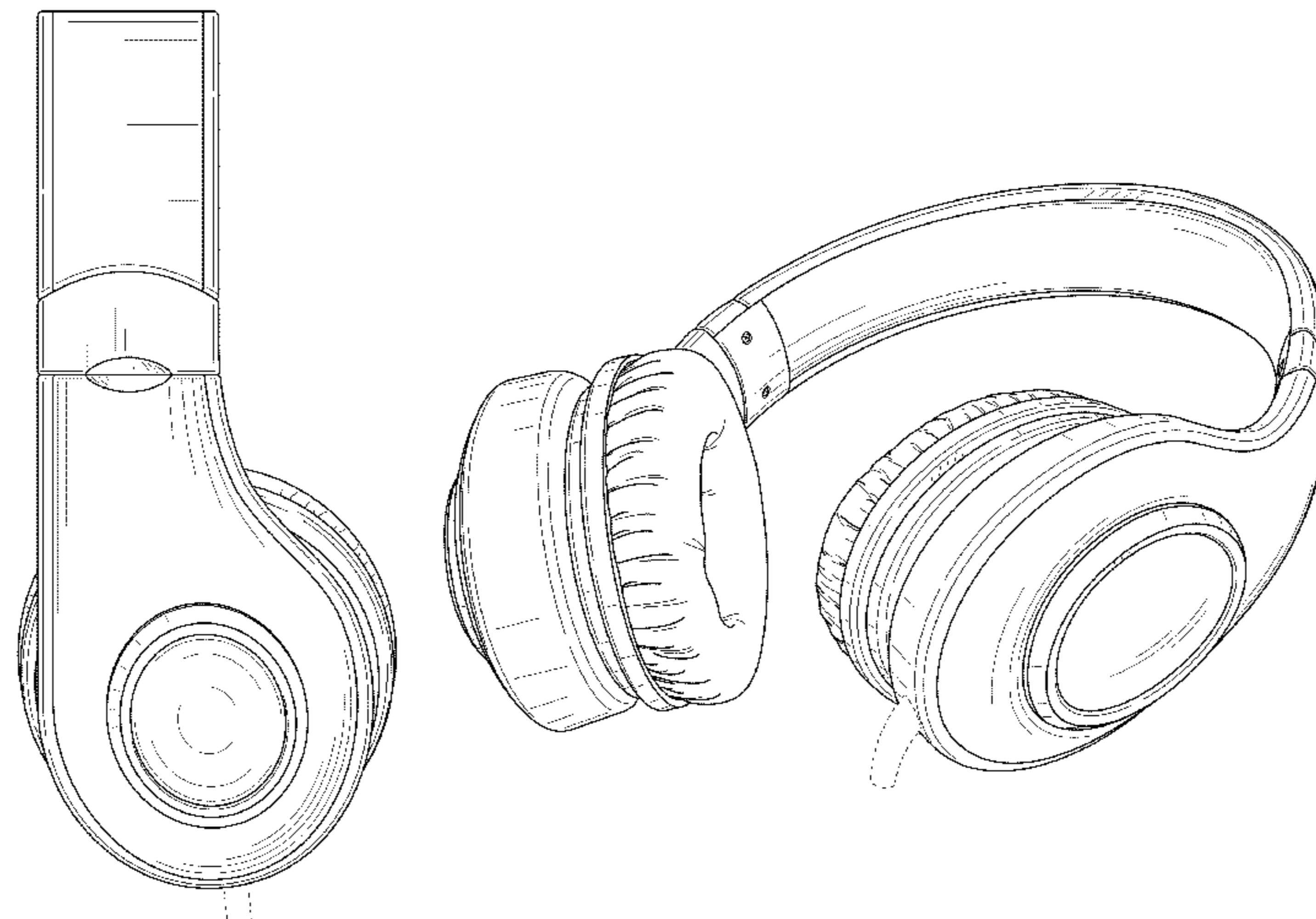
(57) **CLAIM**

The ornamental design for headphones, as shown and described.

DESCRIPTION

FIG. 1 is a front perspective view of headphones, in a closed position, the broken lines form no part of the claimed design;
 FIG. 2 is a front view thereof;
 FIG. 3 is a rear view thereof;
 FIG. 4 is a side view thereof;
 FIG. 5 is an opposite side view thereof;
 FIG. 6 is a top view thereof;
 FIG. 7 is a bottom view thereof;
 FIG. 8 is a bottom perspective view thereof;
 FIG. 9 is a front perspective view of headphones in an open position, the broken lines form no part of the claimed design;
 FIG. 10 is a front view thereof;
 FIG. 11 is a rear view thereof;
 FIG. 12 is a side view thereof;
 FIG. 13 is an opposite side view thereof;
 FIG. 14 is a top view thereof;
 FIG. 15 is a bottom view thereof; and,
 FIG. 16 is a bottom perspective view thereof.
 The broken lines shown in the drawings represent environmental structure and/or unclaimed portions of the headphones, and form no part of the claimed design.

1 Claim, 12 Drawing Sheets



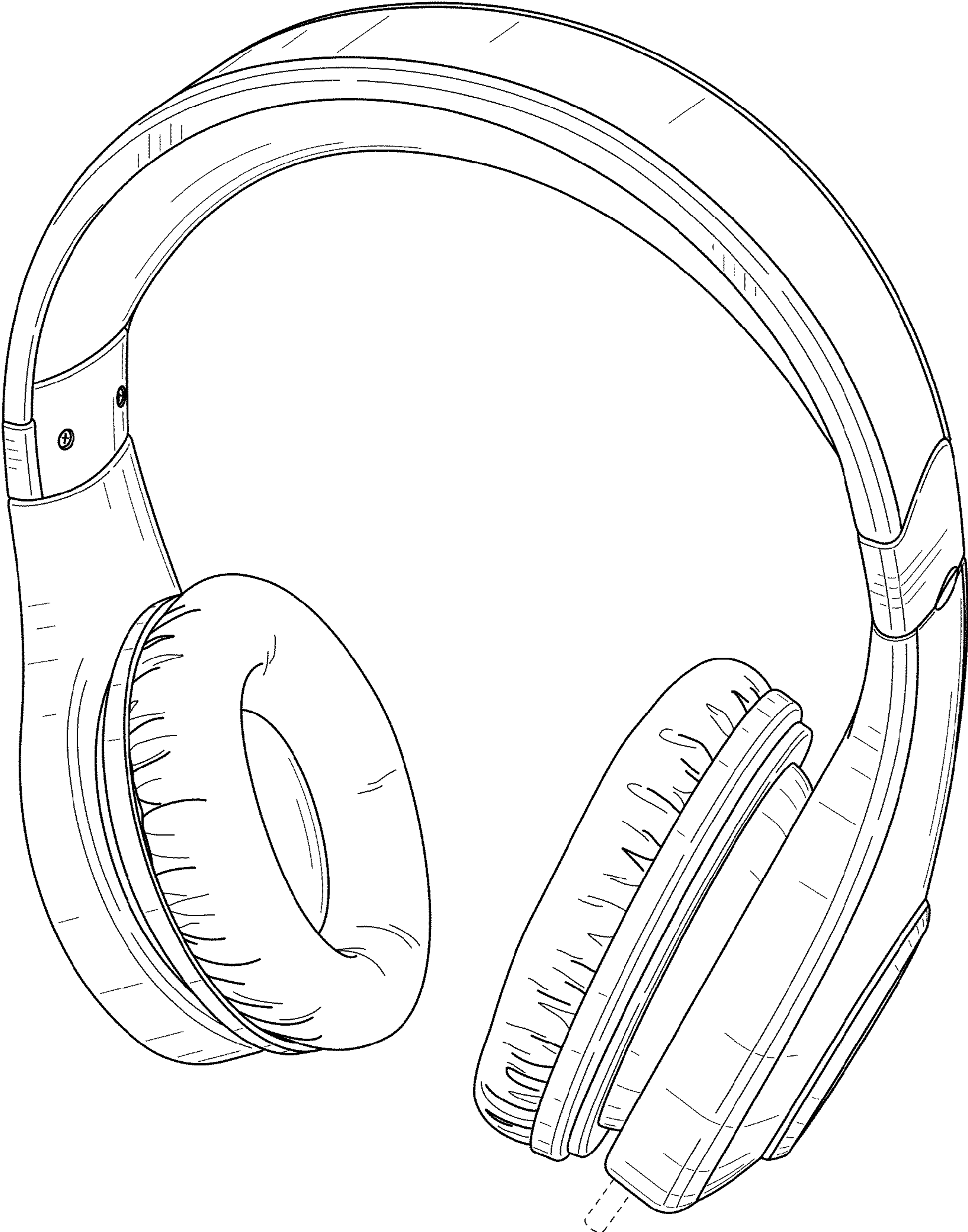


FIG. 1

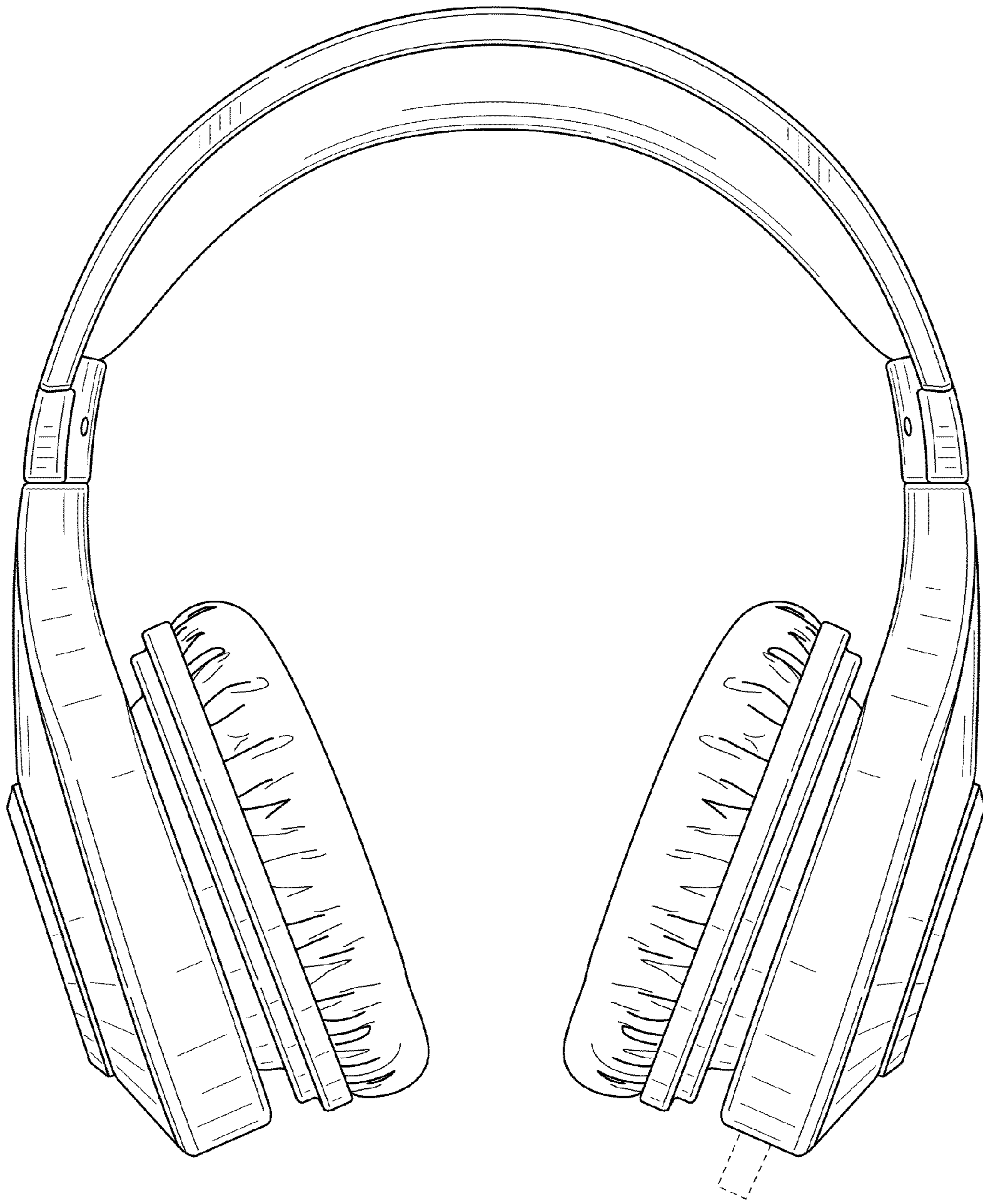


FIG. 2

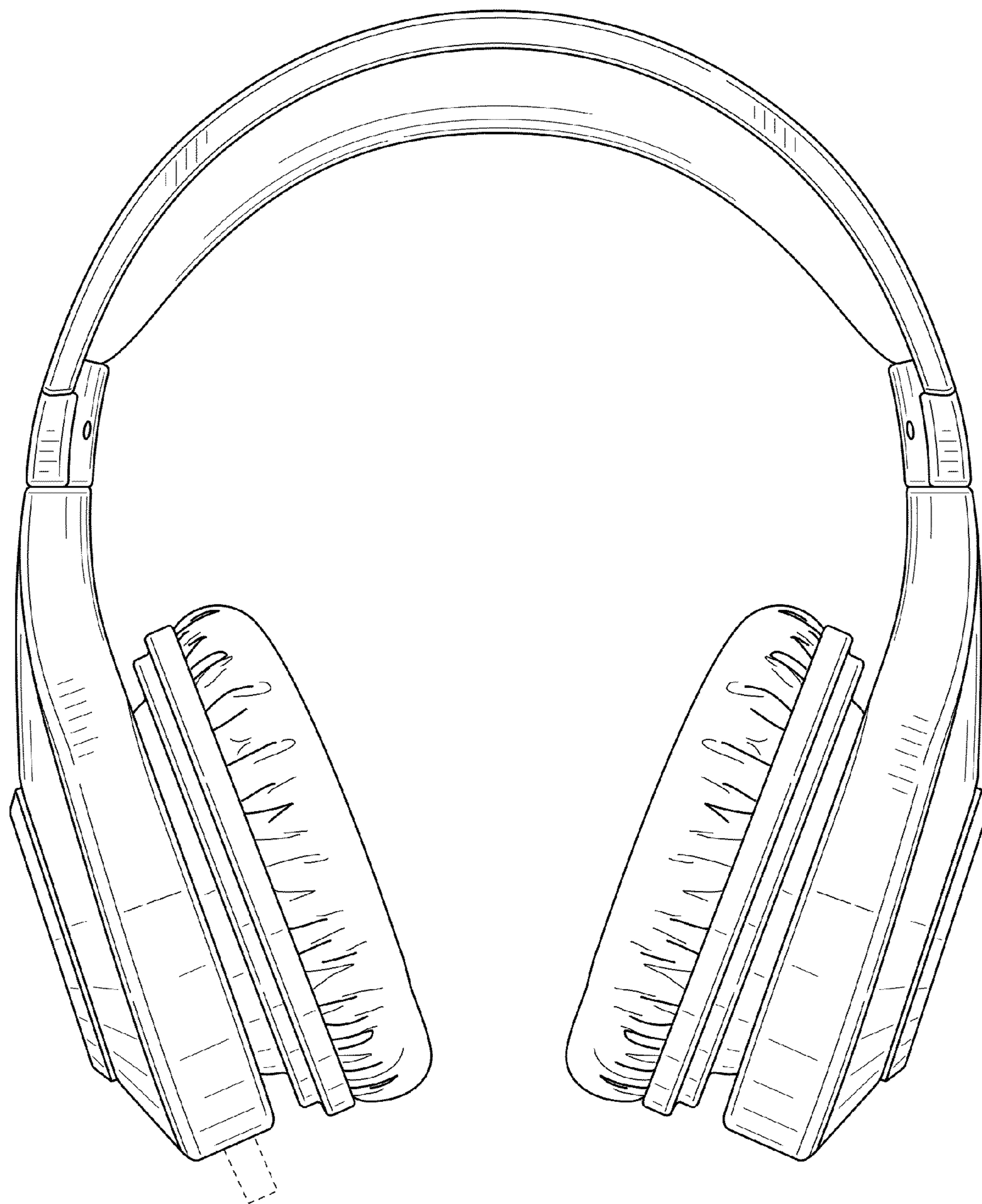


FIG. 3

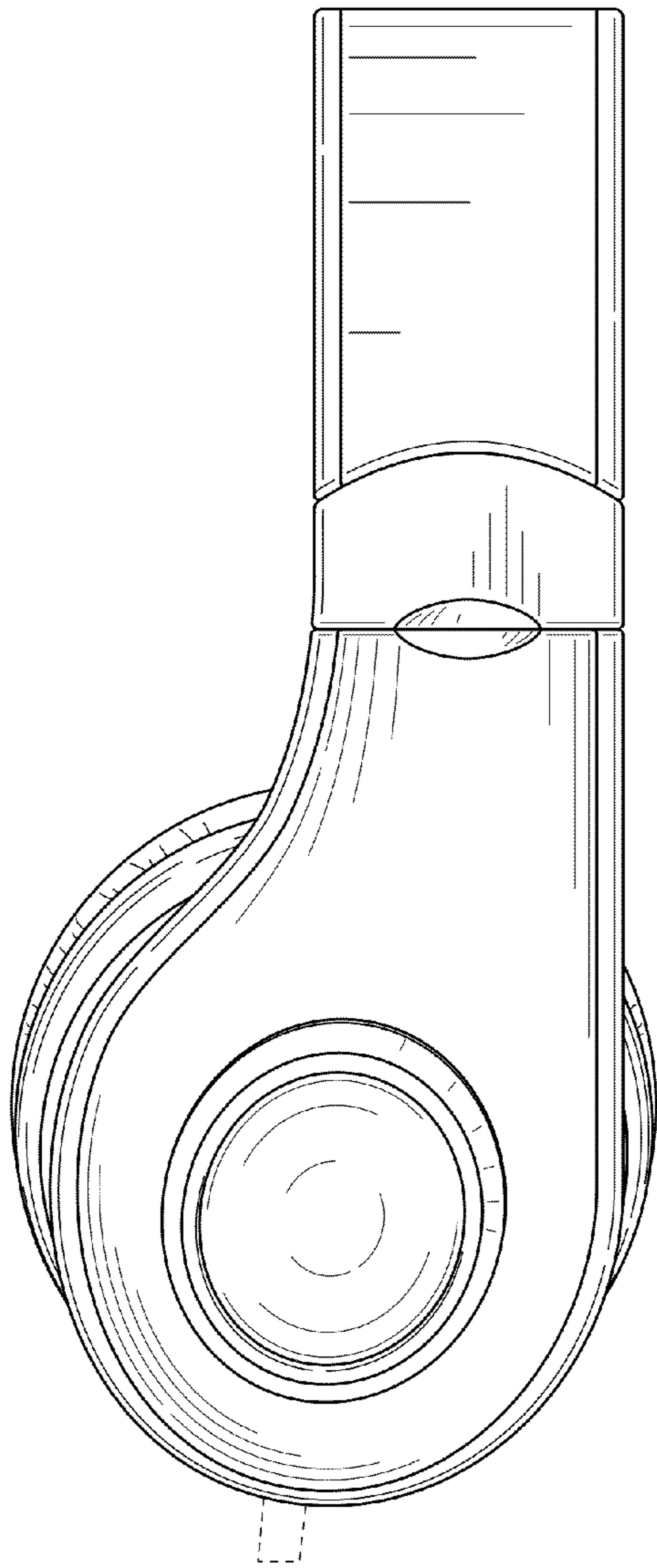


FIG. 4

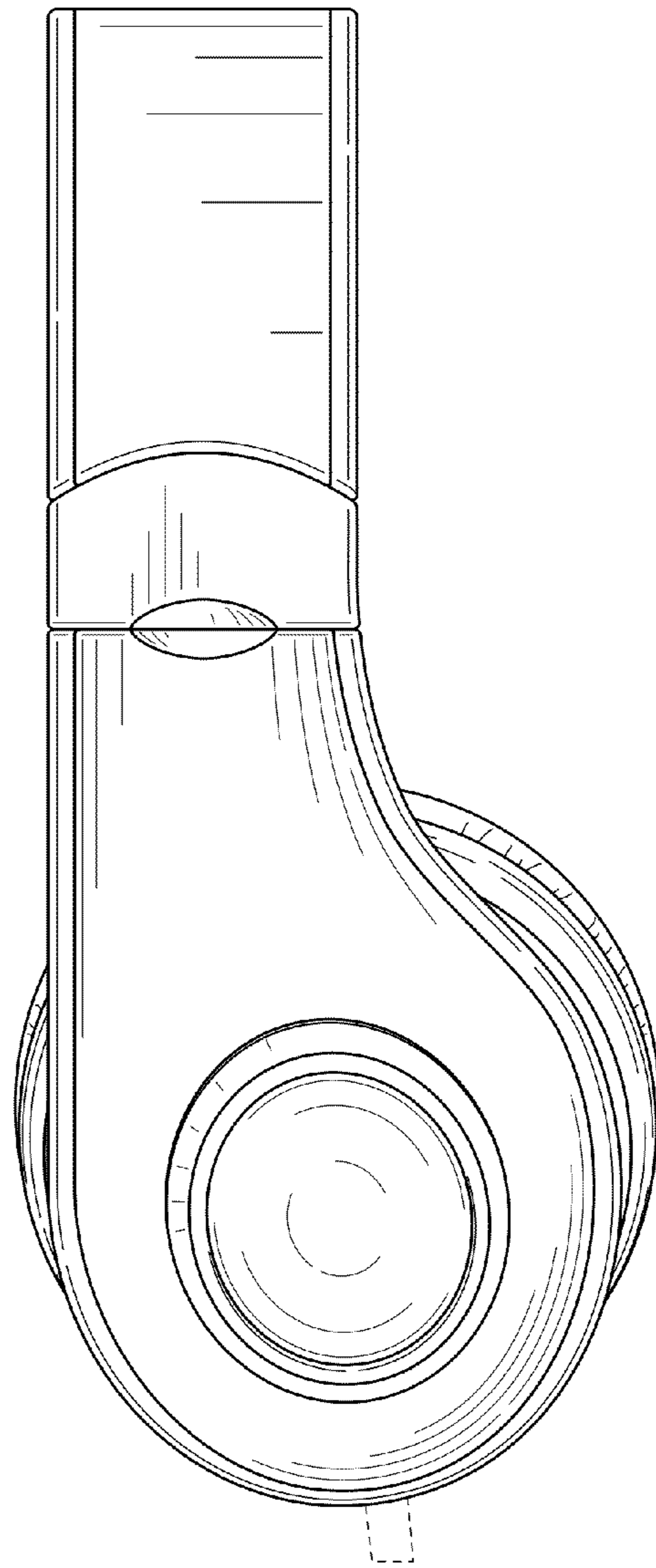


FIG. 5

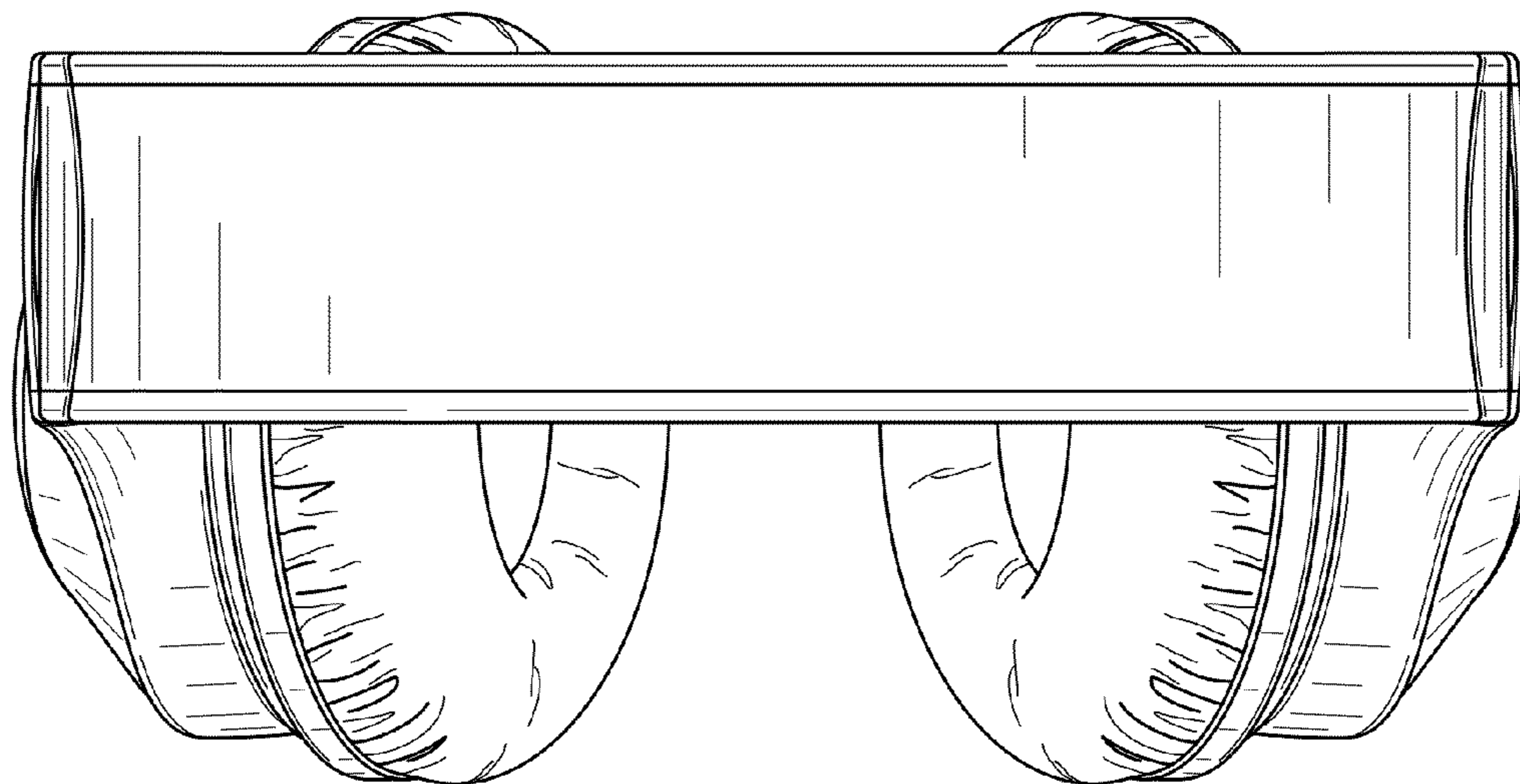


FIG. 6

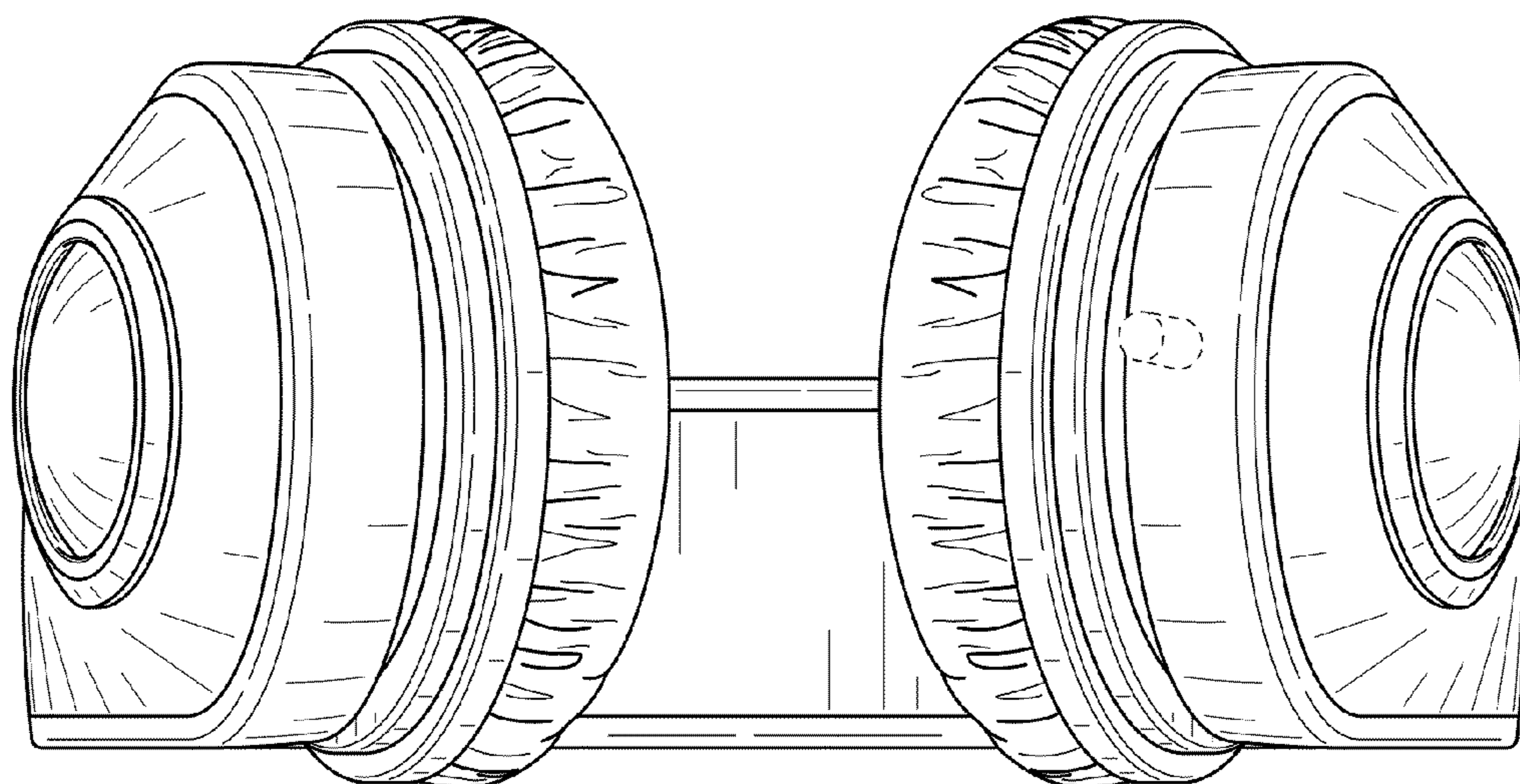


FIG. 7

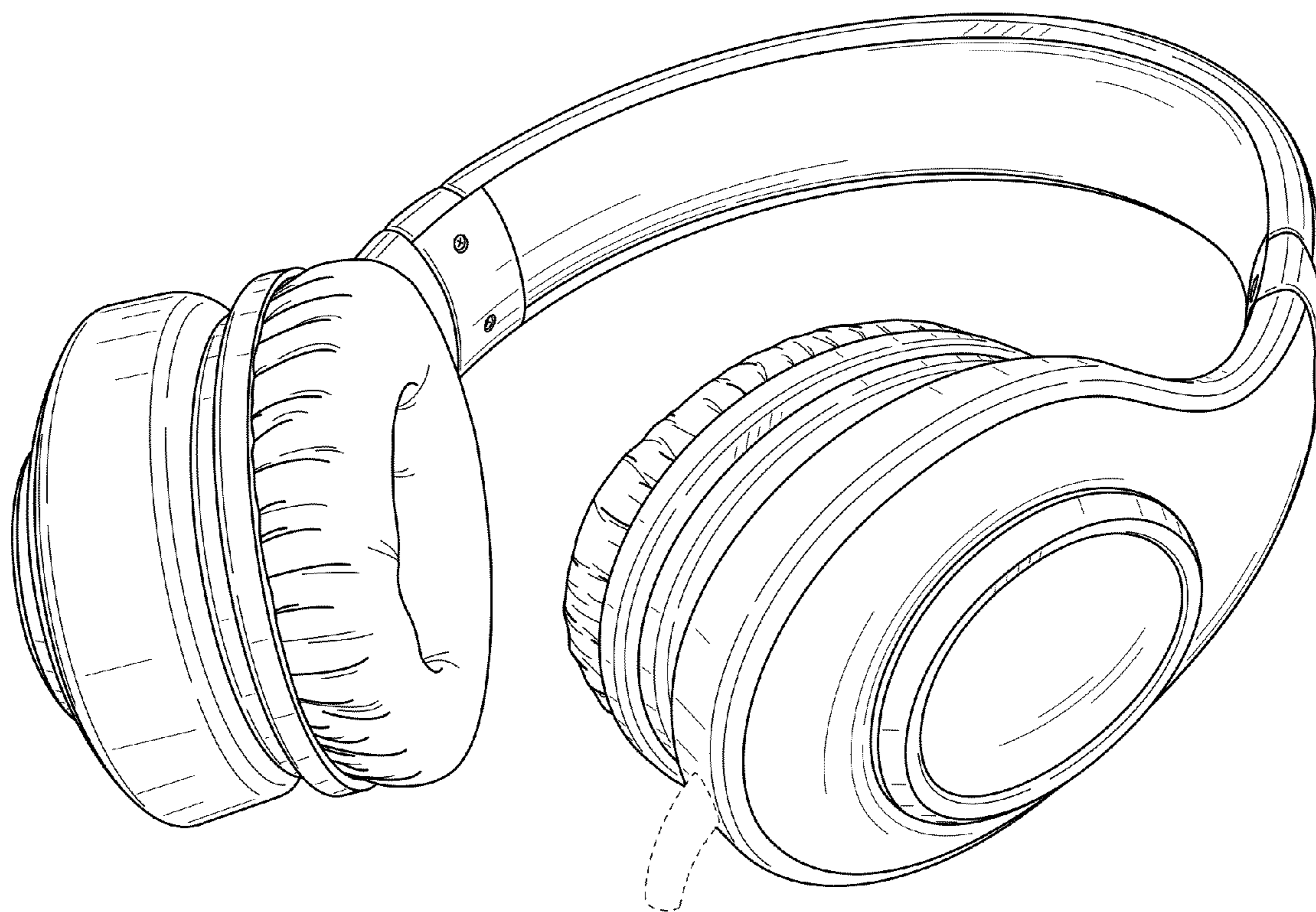


FIG. 8

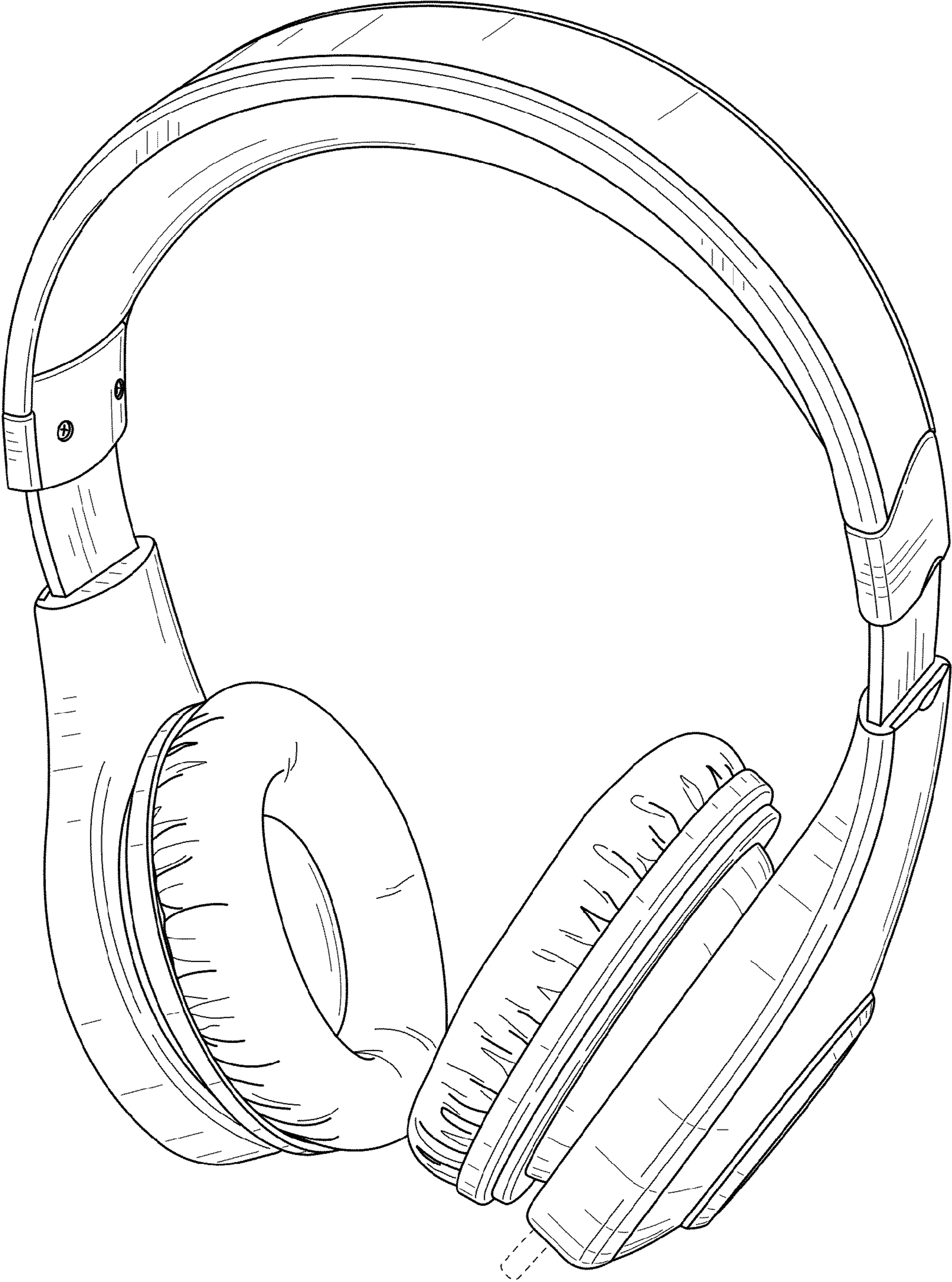


FIG. 9

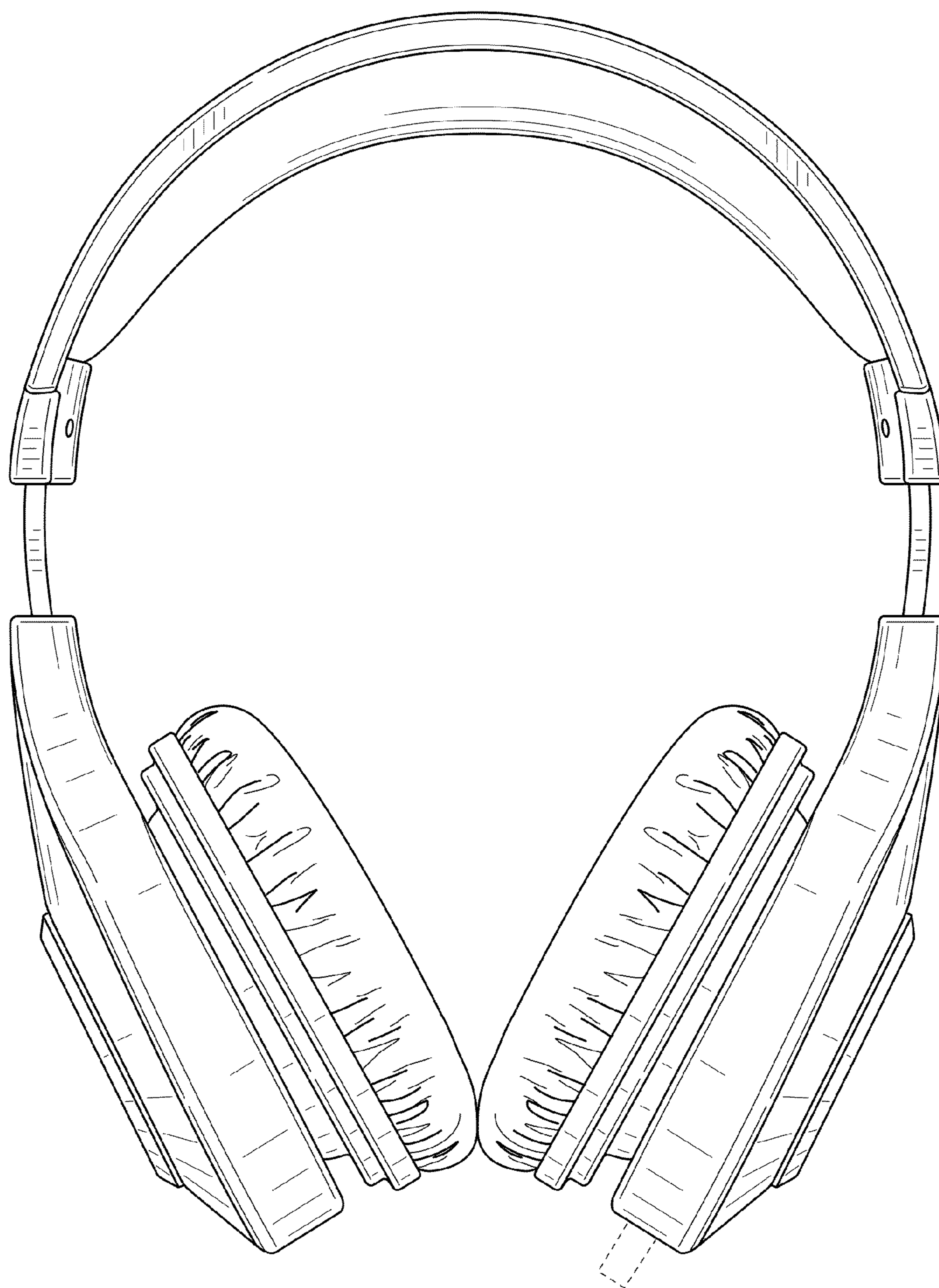


FIG. 10

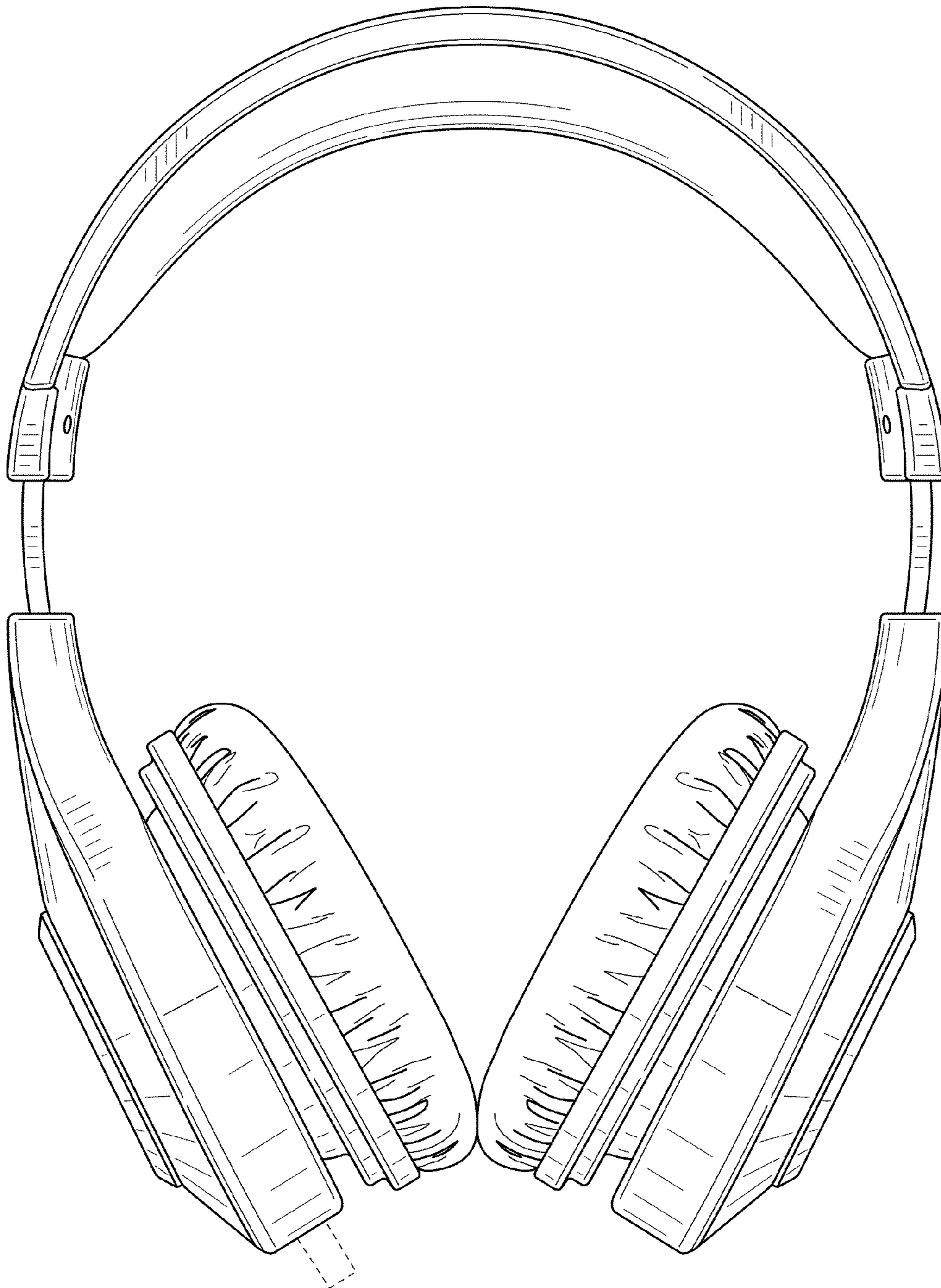


FIG. 11

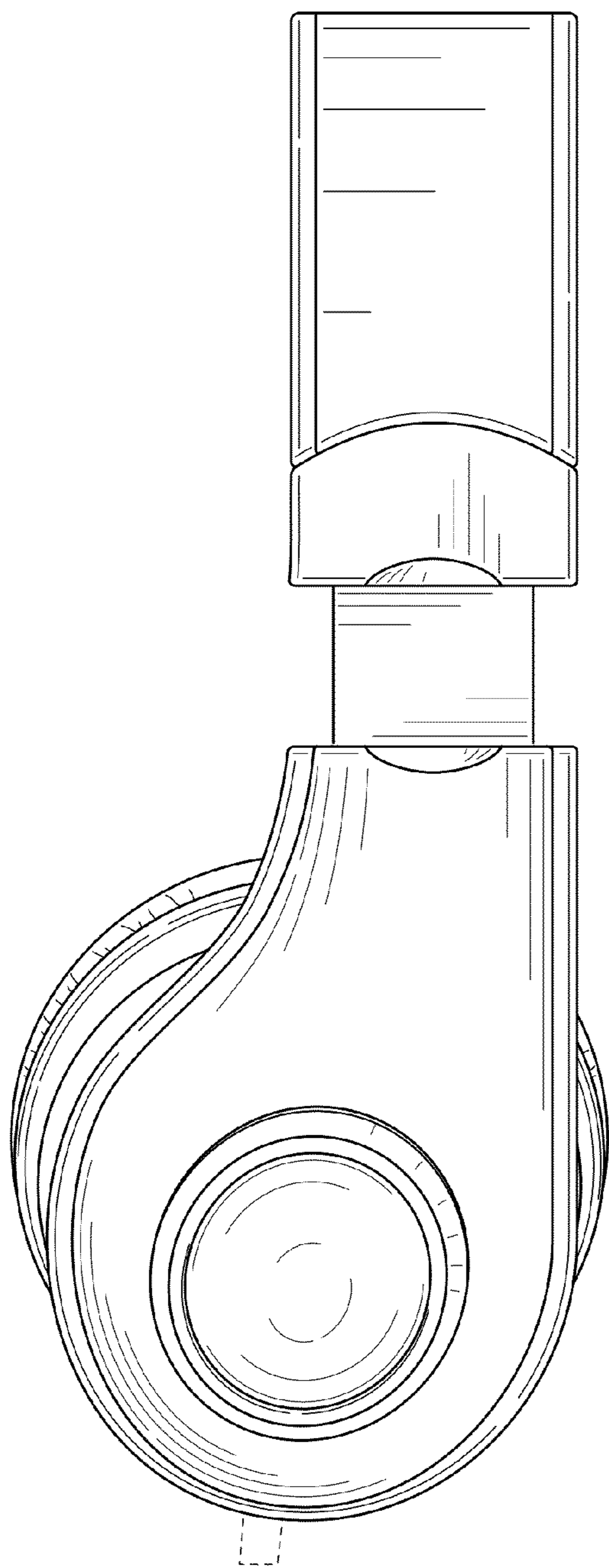


FIG. 12

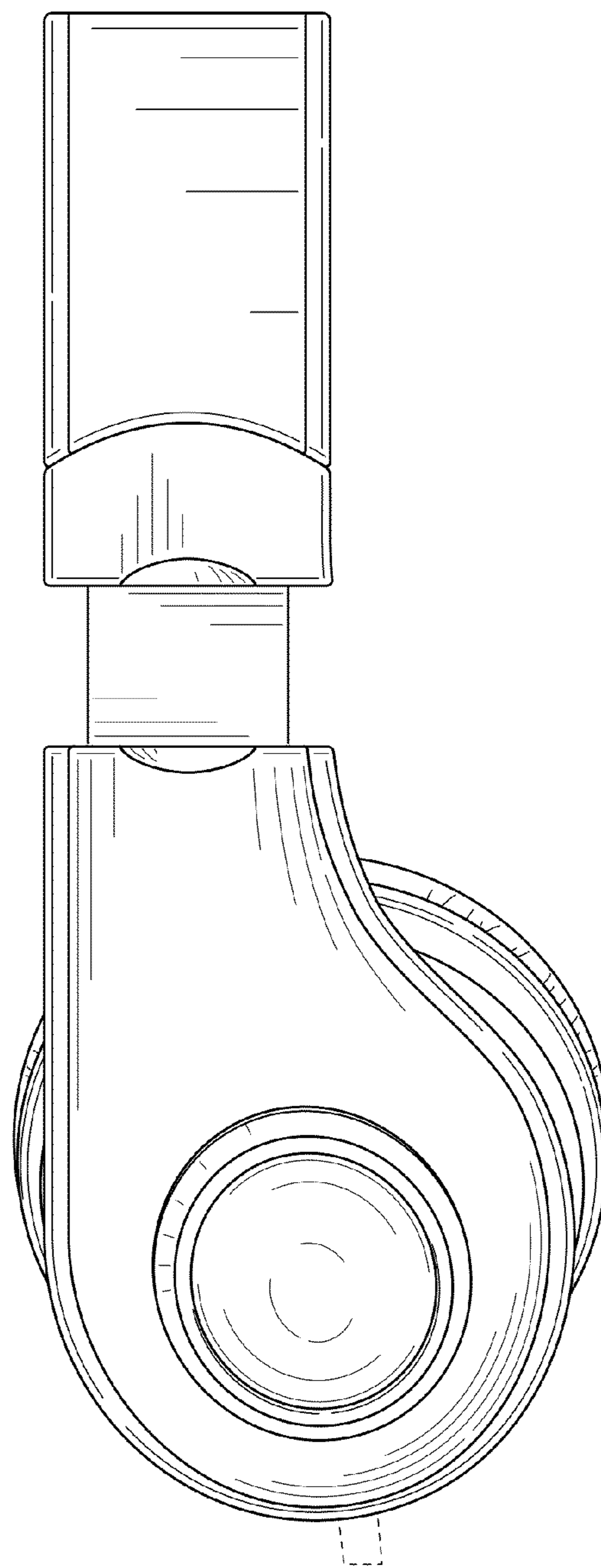


FIG. 13

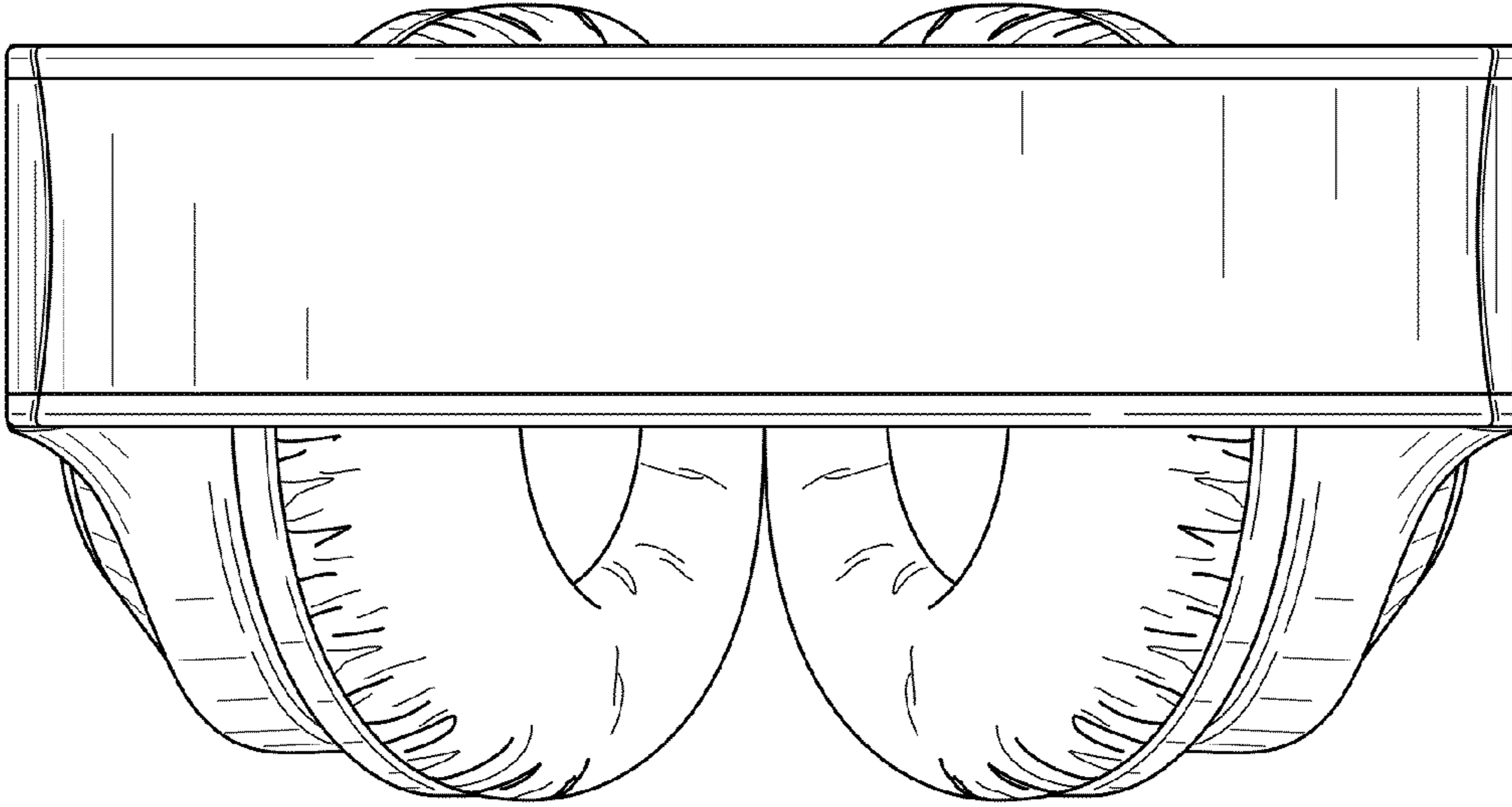


FIG. 14

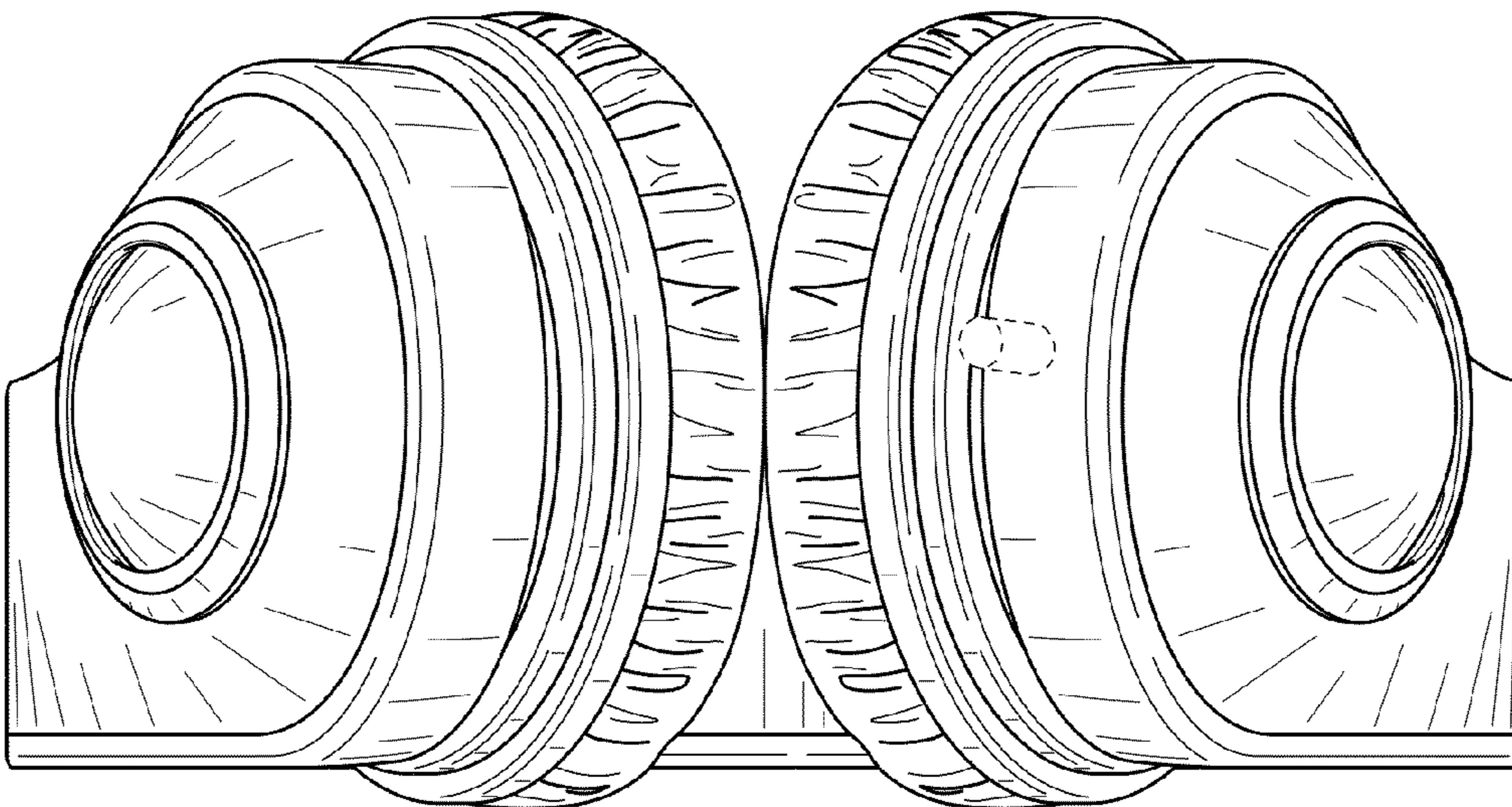


FIG. 15

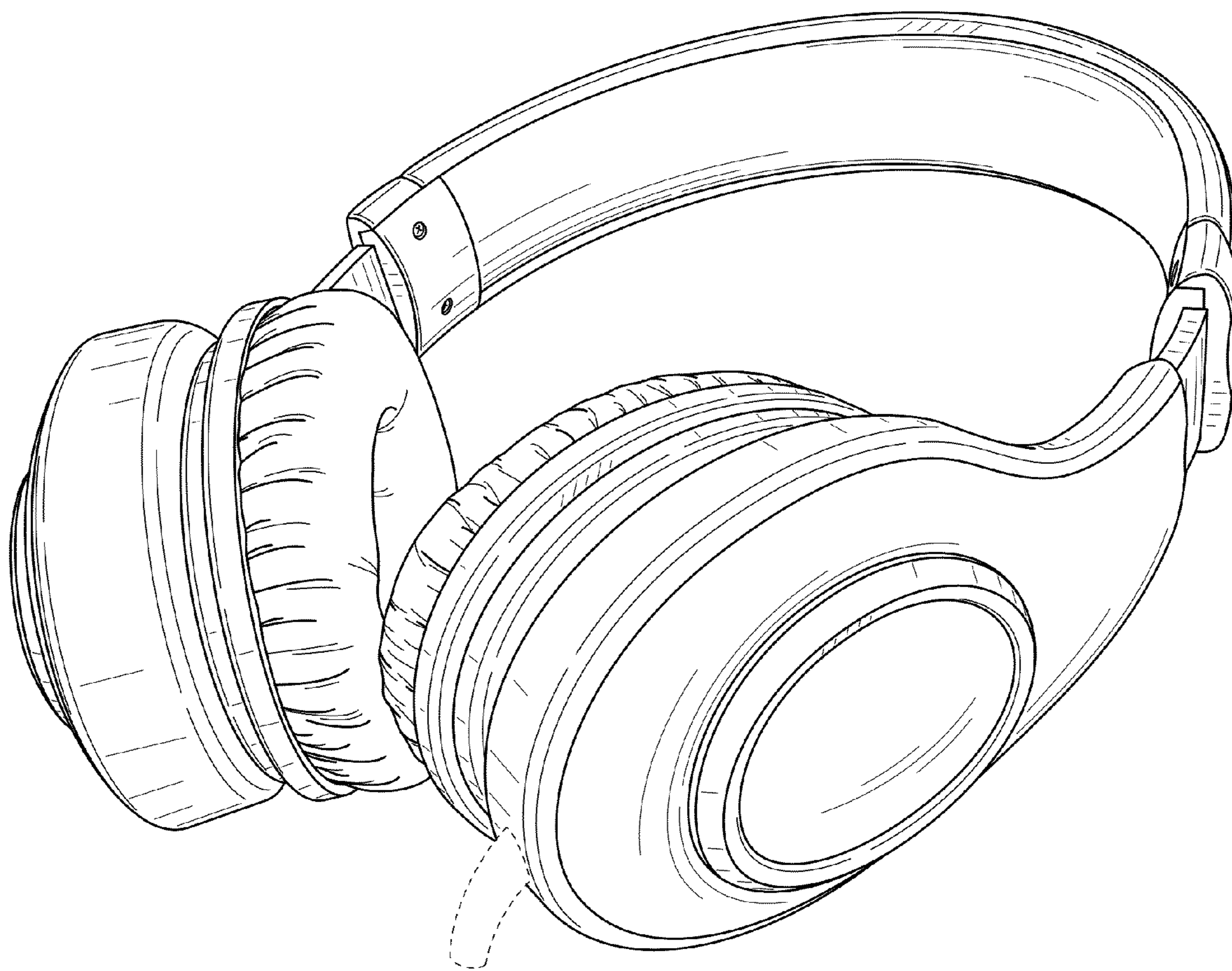


FIG. 16