

US00D693790S

(12) **United States Design Patent**
Miller

(10) **Patent No.:** **US D693,790 S**

(45) **Date of Patent:** **** Nov. 19, 2013**

(54) **AUDIO SYSTEM**

(75) Inventor: **Joel H. Miller**, Westborough, MA (US)

(73) Assignee: **Bose Corporation**, Framingham, MA (US)

(**) Term: **14 Years**

(21) Appl. No.: **29/431,946**

(22) Filed: **Sep. 12, 2012**

(51) **LOC (9) Cl.** **14-03**

(52) **U.S. Cl.**
USPC **D14/188**; D14/210

(58) **Field of Classification Search**

USPC D14/167, 168, 170–172, 188, 194–196,
D14/204, 207, 209.1, 210–216, 221, 222;
181/143, 144, 147, 148, 150, 153, 157,
181/198, 199; 381/300–303, 306, 332, 333,
381/336, 345, 361–364, 386–388;
D13/107, 108; 455/344–351; 369/6–12

See application file for complete search history.

(56) **References Cited**

U.S. PATENT DOCUMENTS

D363,719 S	10/1995	Cindrich et al.	
D384,069 S	9/1997	Kokkinis	
D384,666 S	10/1997	Kokkinis	
D449,590 S	* 10/2001	Lewis	D14/188
D484,484 S	12/2003	Green	
D512,988 S	12/2005	Green	
D514,090 S	1/2006	Carbone et al.	
D514,545 S	2/2006	Watanabe	
D514,546 S	2/2006	Chan	
D516,542 S	3/2006	Kang et al.	
D517,040 S	3/2006	Hasegawa et al.	
D537,070 S	2/2007	Warden	

D547,303 S	7/2007	Westrup et al.	
D563,387 S	3/2008	Aquillano	
D563,388 S	3/2008	Aquillano	
D564,542 S	3/2008	Green et al.	
D572,237 S	7/2008	Hsiung	
D577,002 S	9/2008	Kurihara	
D579,025 S	10/2008	Liu	
D581,903 S	12/2008	Joseph	
D584,281 S	1/2009	Kim et al.	
D587,238 S	2/2009	Xie	
D593,130 S	5/2009	Smith	
D611,451 S	* 3/2010	Wang et al.	D14/209.1
D633,474 S	* 3/2011	Ohashi	D14/209.1
D665,376 S	* 8/2012	Goetzen et al.	D14/188
2008/0089547 A1	* 4/2008	Young et al.	381/386
2008/0152181 A1	* 6/2008	Parker et al.	381/345
2009/0112338 A1	4/2009	Ueda	

* cited by examiner

Primary Examiner — Keli L Hill

(74) *Attorney, Agent, or Firm* — Bose Corporation

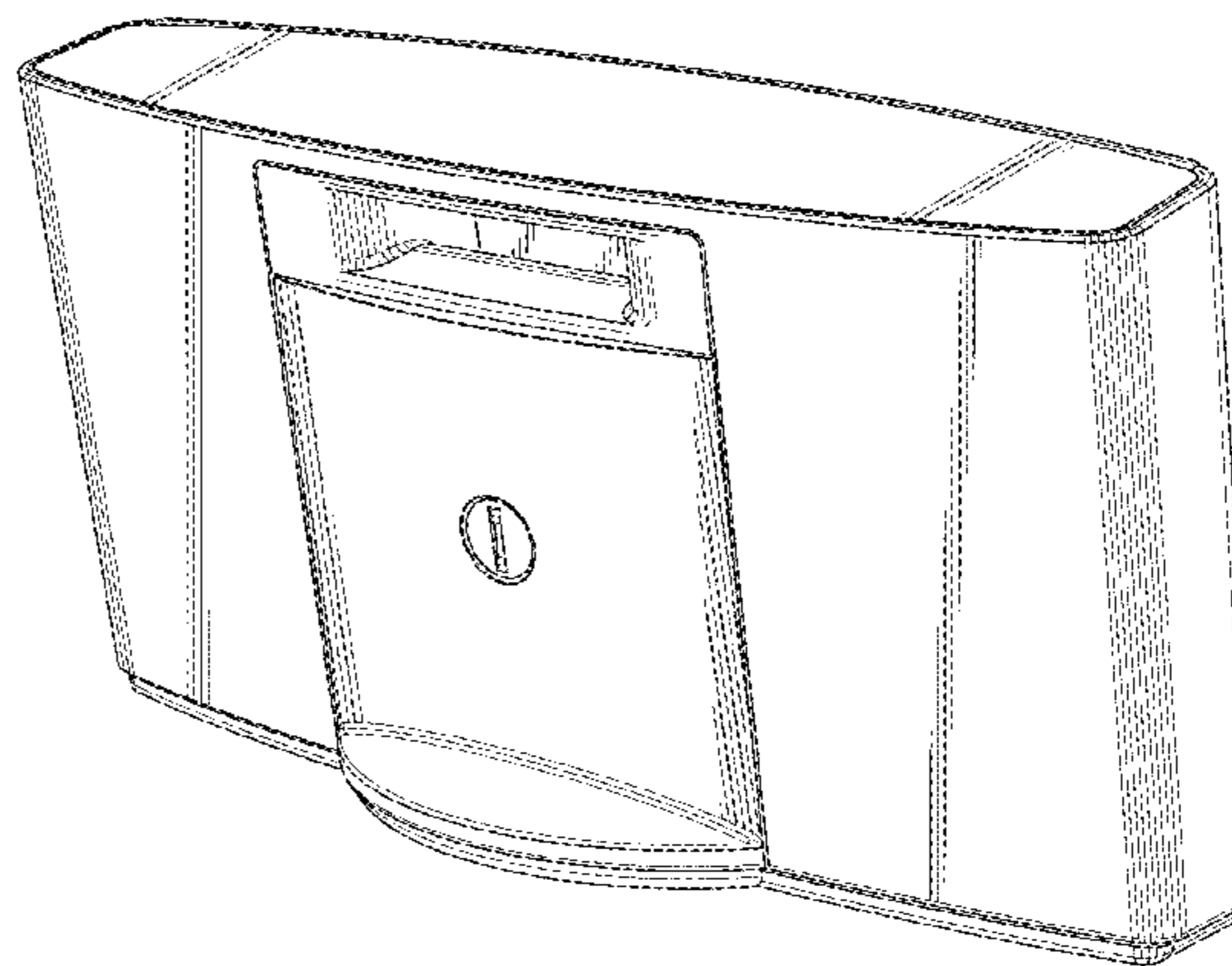
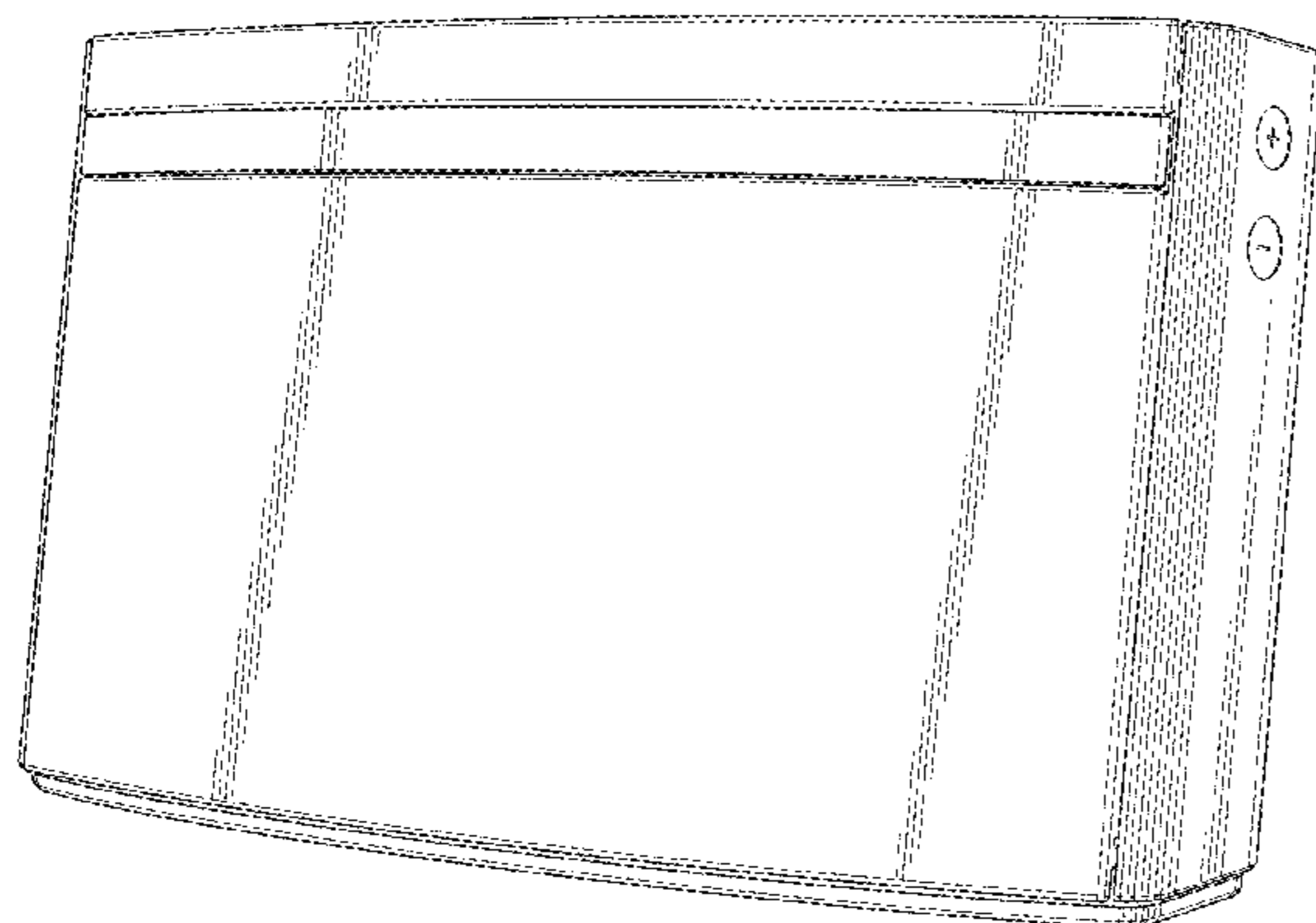
(57) **CLAIM**

The ornamental design for an audio system, substantially as shown and described.

DESCRIPTION

FIG. 1 is a front perspective view of an audio system as seen from the front and side;
FIG. 2 is a rear perspective view thereof, as seen from the rear, opposite side, and top;
FIG. 3 is a front view thereof;
FIG. 4 is a rear view thereof;
FIG. 5 is a top view thereof;
FIG. 6 is a bottom view thereof;
FIG. 7 is an opposite side view thereof; and,
FIG. 8 is a side view thereof.

1 Claim, 8 Drawing Sheets



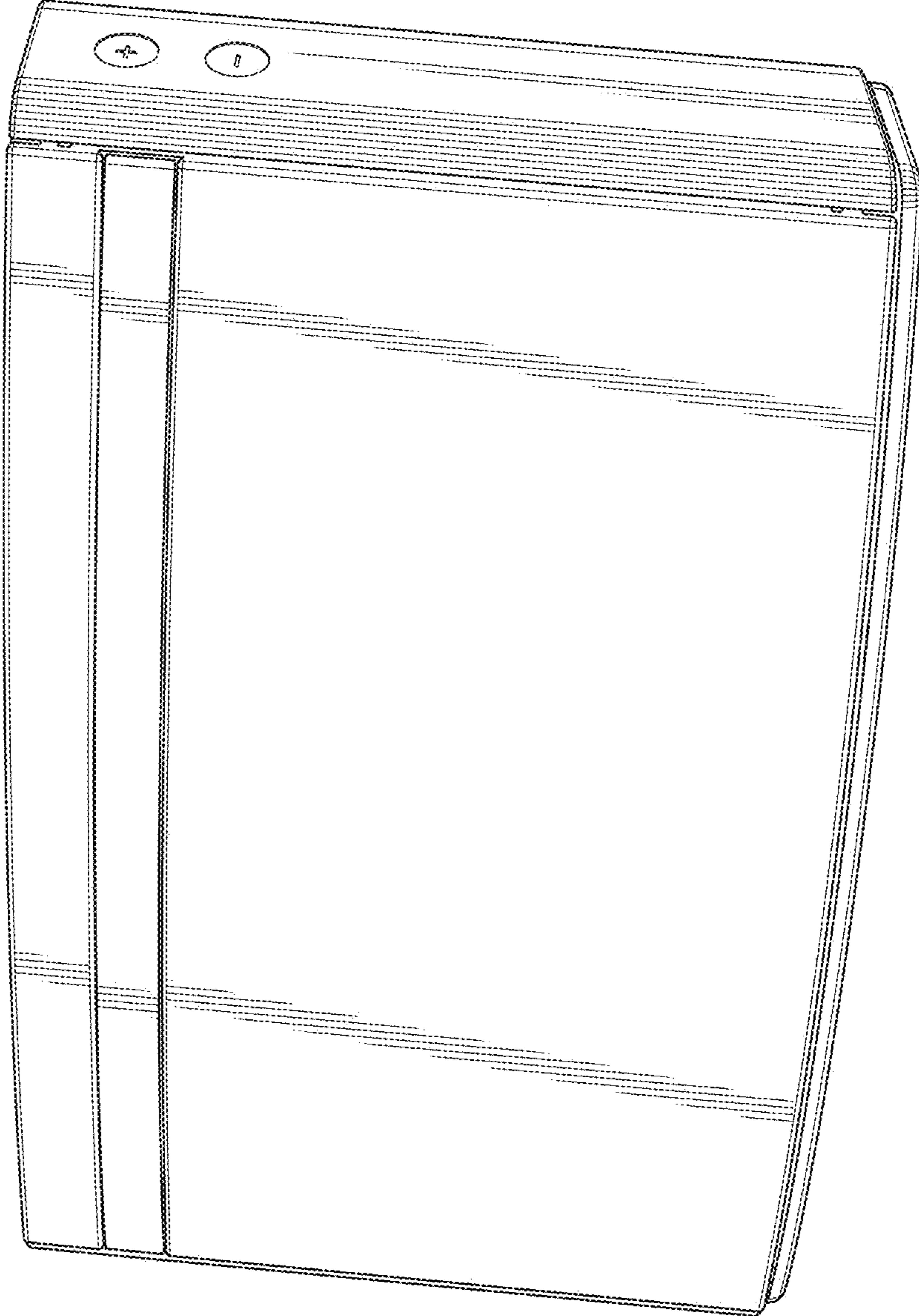


FIG. 1

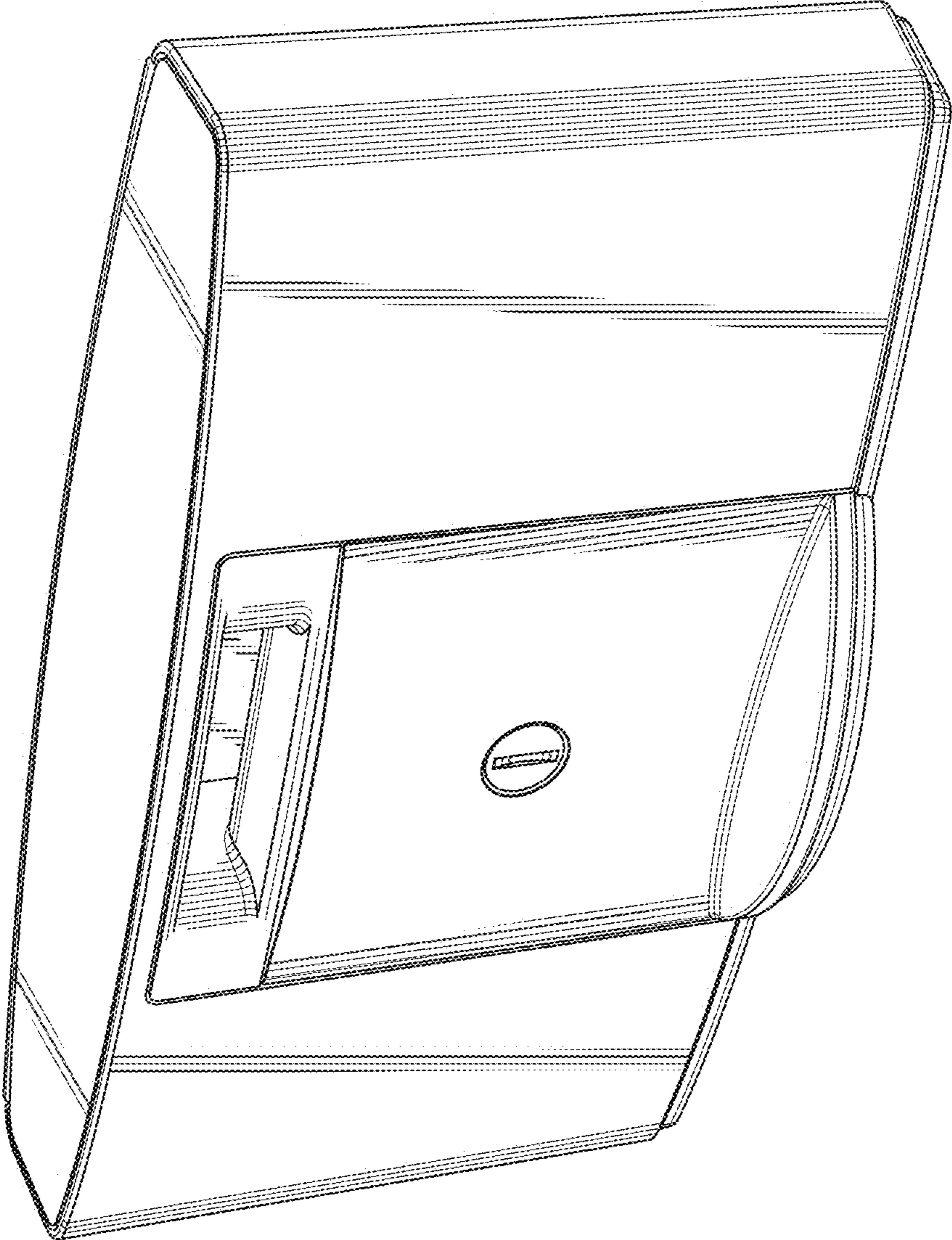


FIG. 2

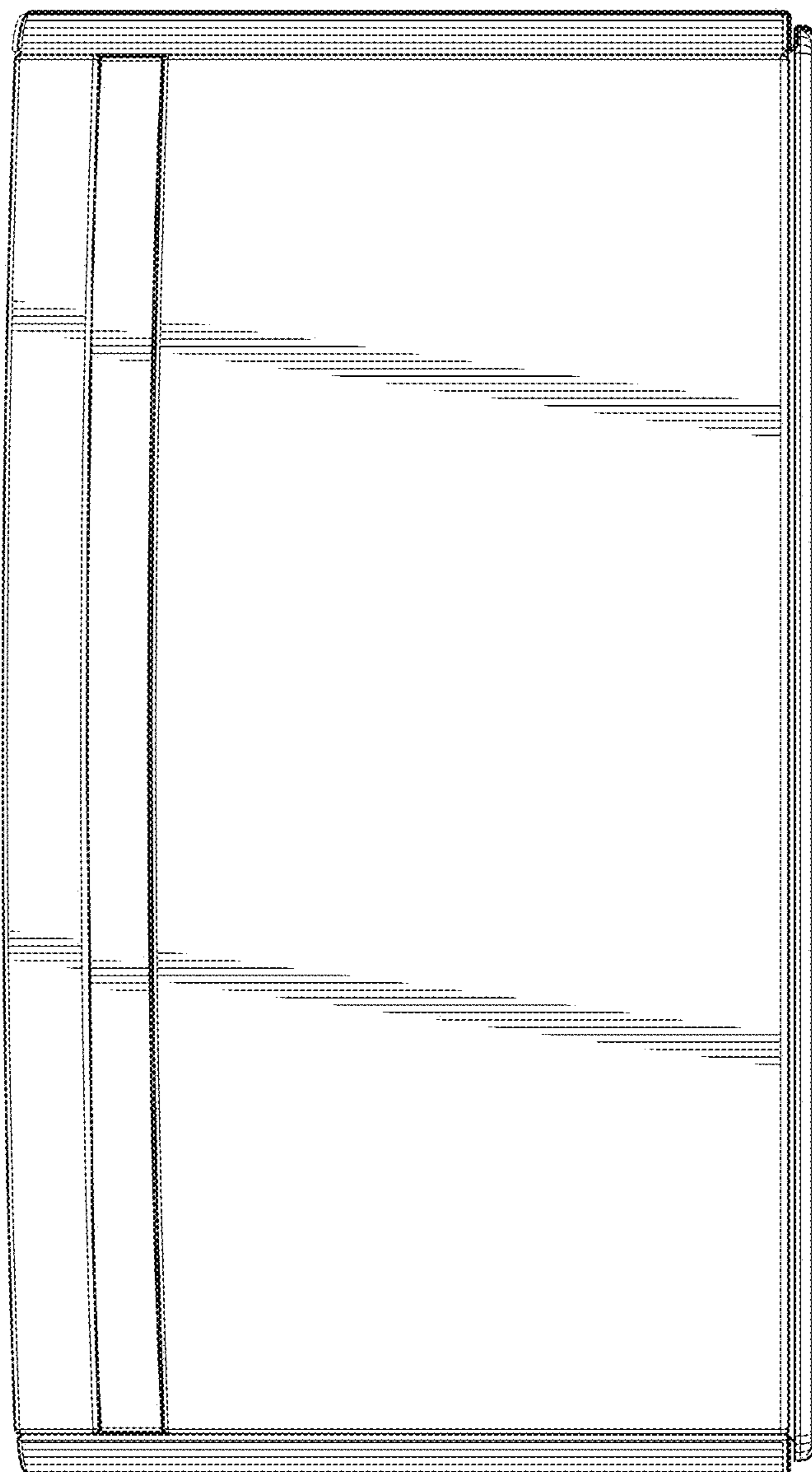


FIG. 3

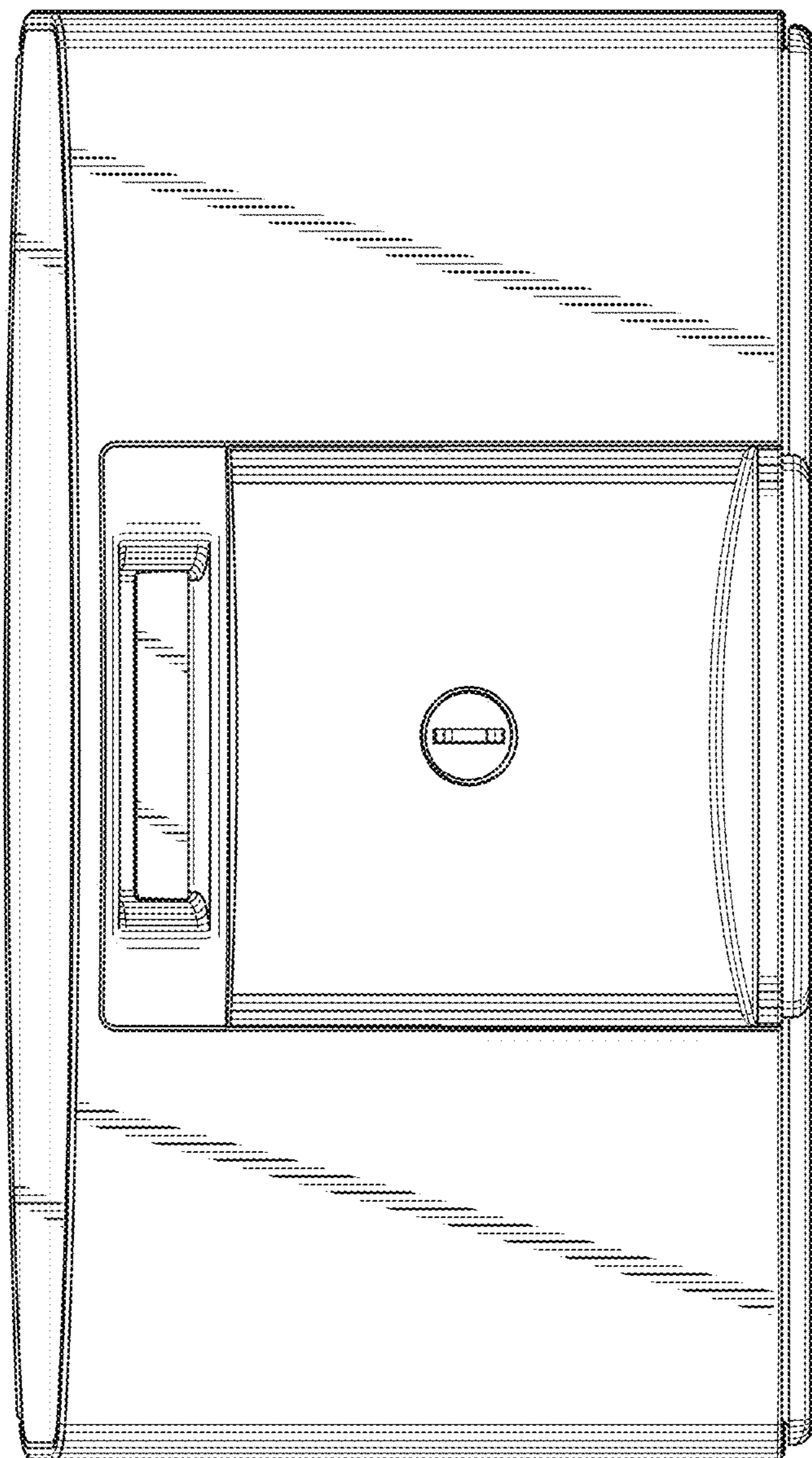


FIG. 4

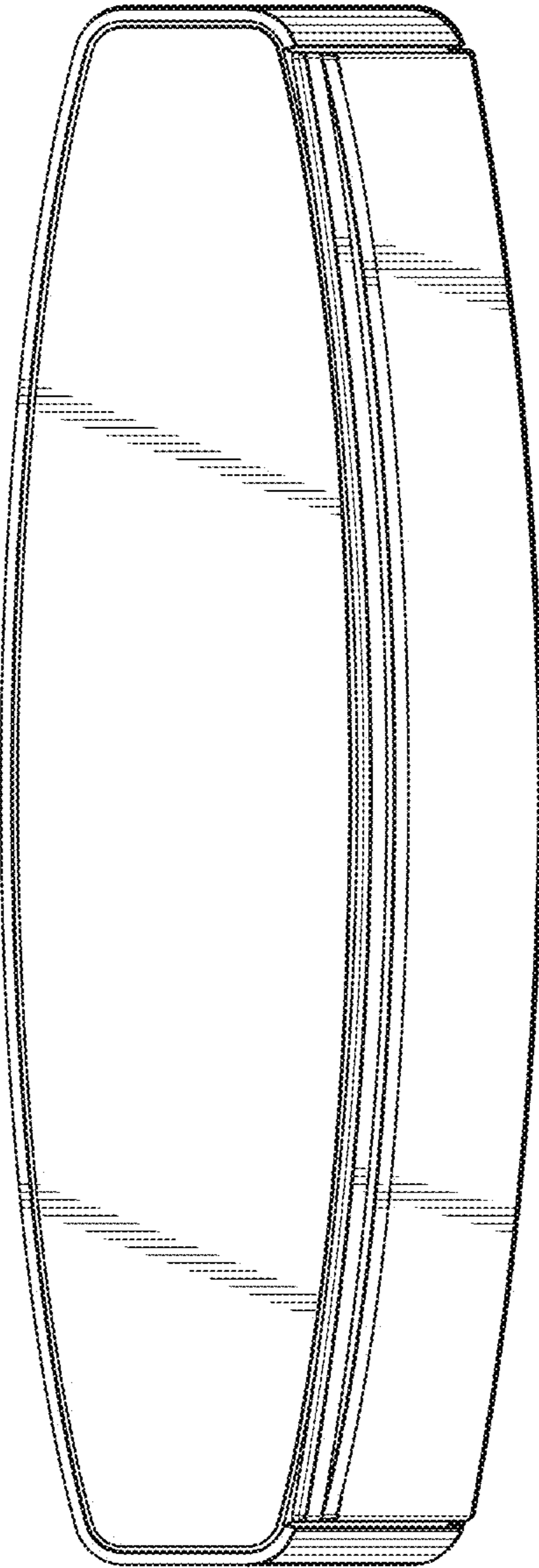


FIG. 5

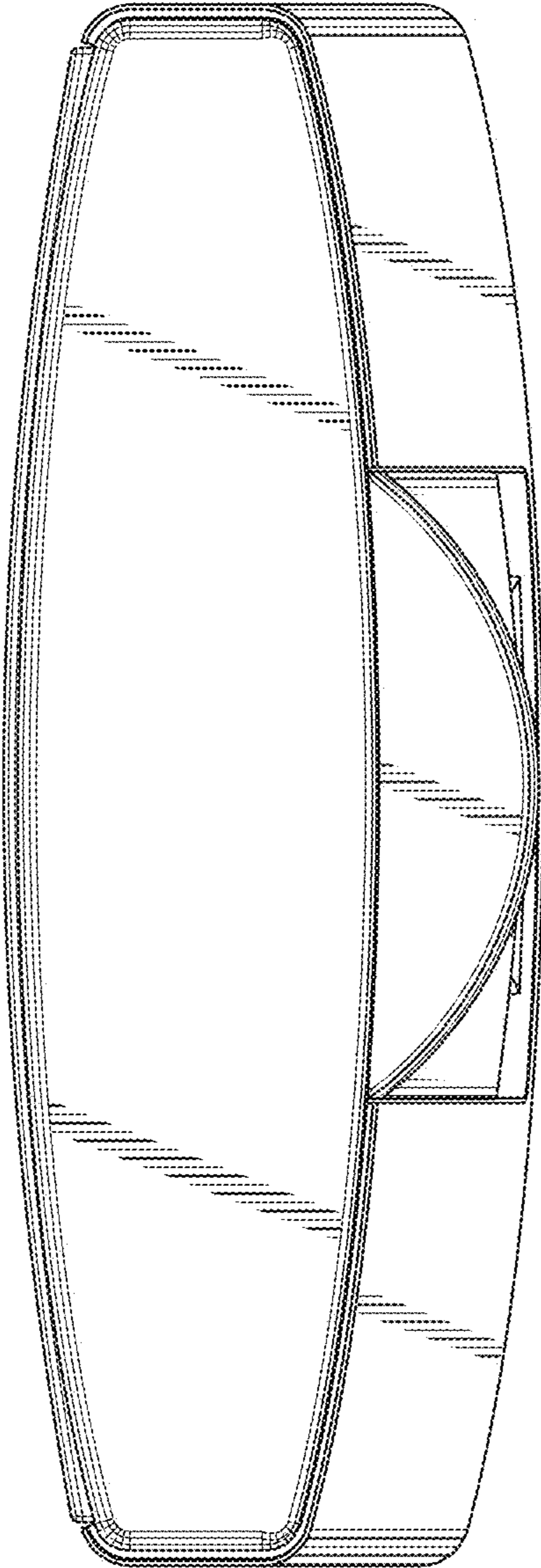


FIG. 6

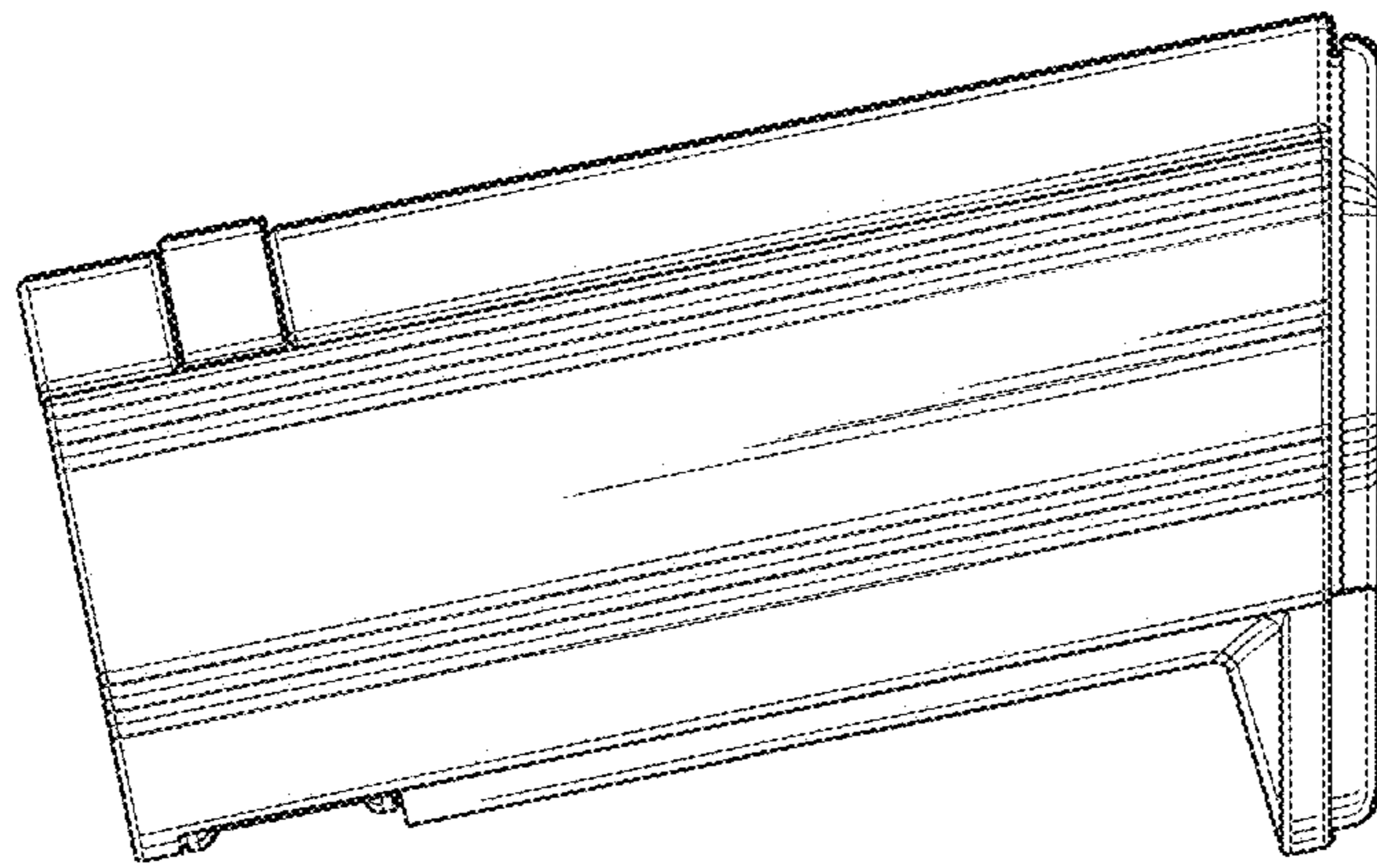


FIG. 7

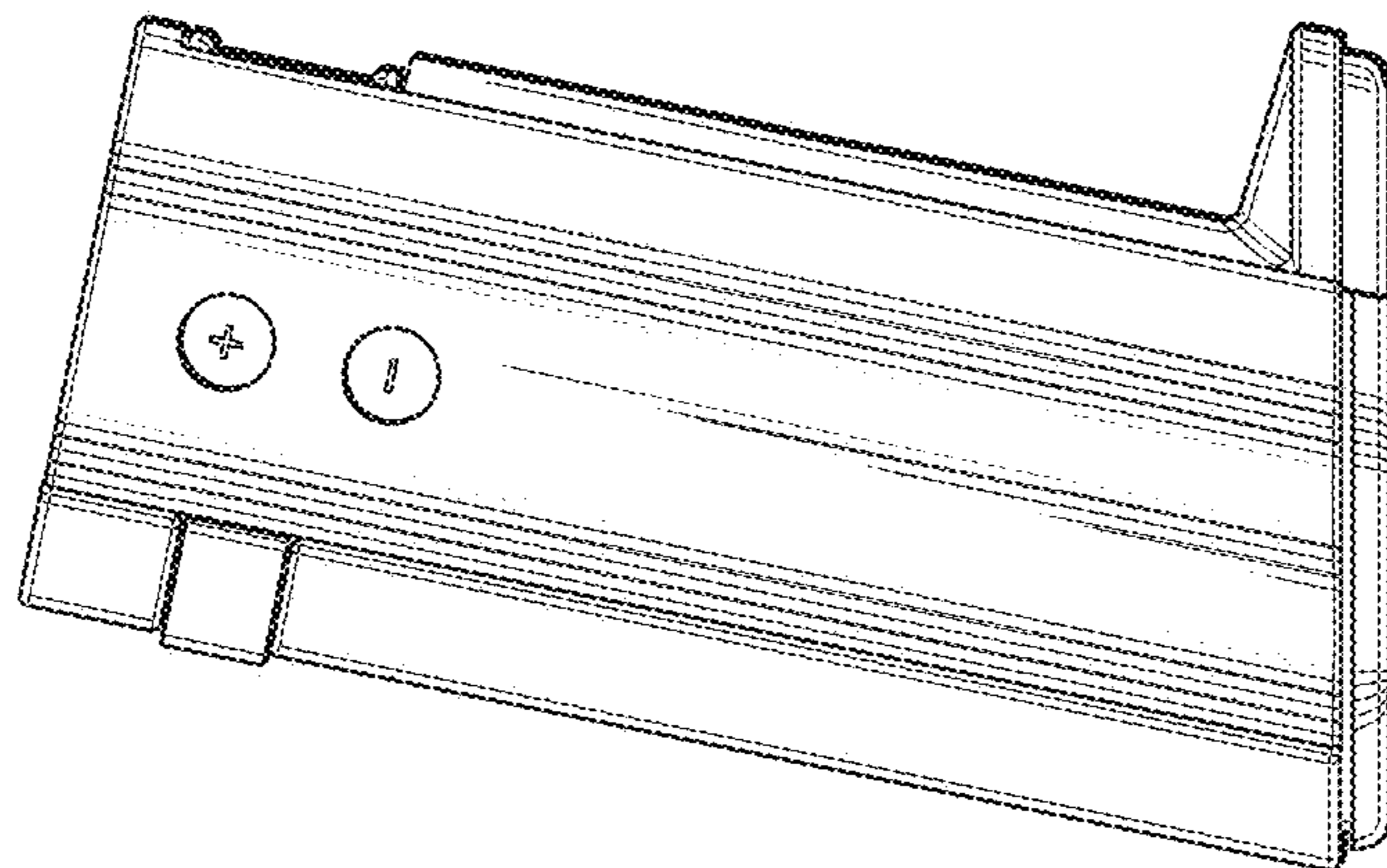


FIG. 8