

US00D693783S

(12) **United States Design Patent**
Hasegawa

(10) **Patent No.:** **US D693,783 S**

(45) **Date of Patent:** **** Nov. 19, 2013**

(54) **TELEVISION RECEIVER**

(71) Applicant: **Orion Electric Company Ltd.**, Echizen (JP)

(72) Inventor: **Harunobu Hasegawa**, Echizen (JP)

(73) Assignee: **Orion Electric Company Ltd.**, Echizen-shi, Fukui-ken (JP)

(**) Term: **14 Years**

(21) Appl. No.: **29/436,631**

(22) Filed: **Nov. 7, 2012**

(51) **LOC (9) Cl.** **14-03**

(52) **U.S. Cl.**
USPC **D14/126**

(58) **Field of Classification Search**
USPC D14/125-134, 239, 371, 136, 374-377, D14/440, 450, 448, 336, 342, 159; 312/7.2; 348/836, 838, 180, 184, 325, 739; 341/12; 248/917-924, 465; 345/104, 345/133, 156, 168, 87, 173; 720/605, 669, 720/600, 655; 369/99, 197; D21/329, 515, D21/577, 622, 333, 433, 448, 452, 450, D21/331; D6/477, 479, 300-310; 273/148 B; 446/484, 175, 356; D10/15, D10/26

See application file for complete search history.

(56) **References Cited**

U.S. PATENT DOCUMENTS

D546,299	S	*	7/2007	Honda et al.	D14/126
D623,155	S	*	9/2010	Kim et al.	D14/126
D643,005	S	*	8/2011	Nagase	D14/126
D660,815	S	*	5/2012	Itou et al.	D14/126
D669,443	S	*	10/2012	Kim et al.	D14/126

* cited by examiner

Primary Examiner — Raphael Barkai

(74) *Attorney, Agent, or Firm* — Stites & Harbison PLLC; Juan Carlos A. Marquez, Esq.

(57) **CLAIM**

The ornamental design of a television receiver, as shown in the attached drawings and described herein.

DESCRIPTION

FIG. 1 is a front elevation view of a television receiver showing the new design; FIG. 2 is a rear elevation view of FIG. 1; FIG. 3 is a right-side elevation view of FIG. 1; FIG. 4 is a left-side elevation view of FIG. 1; FIG. 5 is a top plan view of FIG. 1; FIG. 6 is a bottom plan view of FIG. 1; FIG. 7 is a front, top, and right-side perspective view of FIG. 1; and, FIG. 8 is a rear, top, and left-side perspective view of FIG. 1. The article relates to a thin-type television receiver.

1 Claim, 3 Drawing Sheets

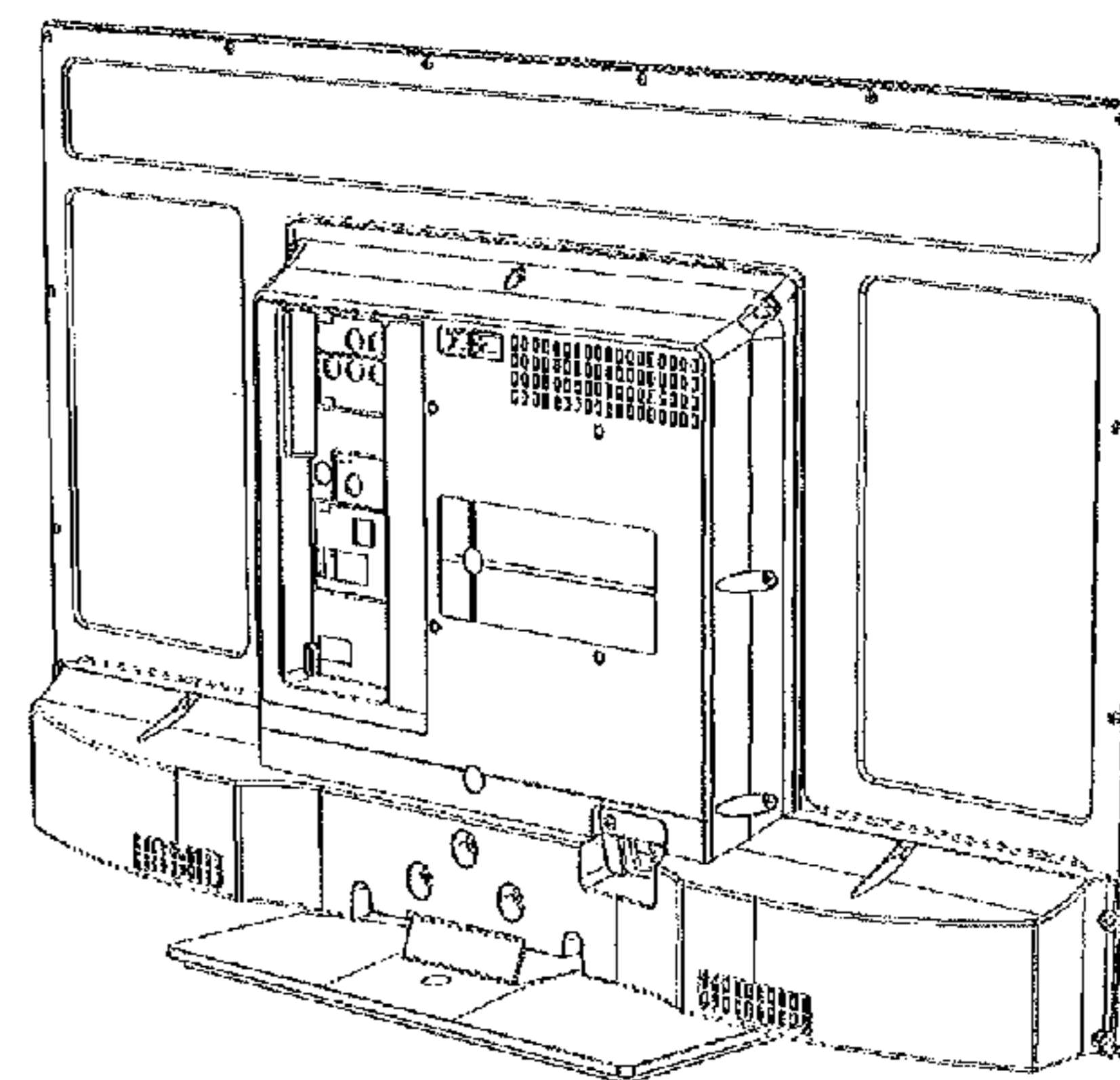
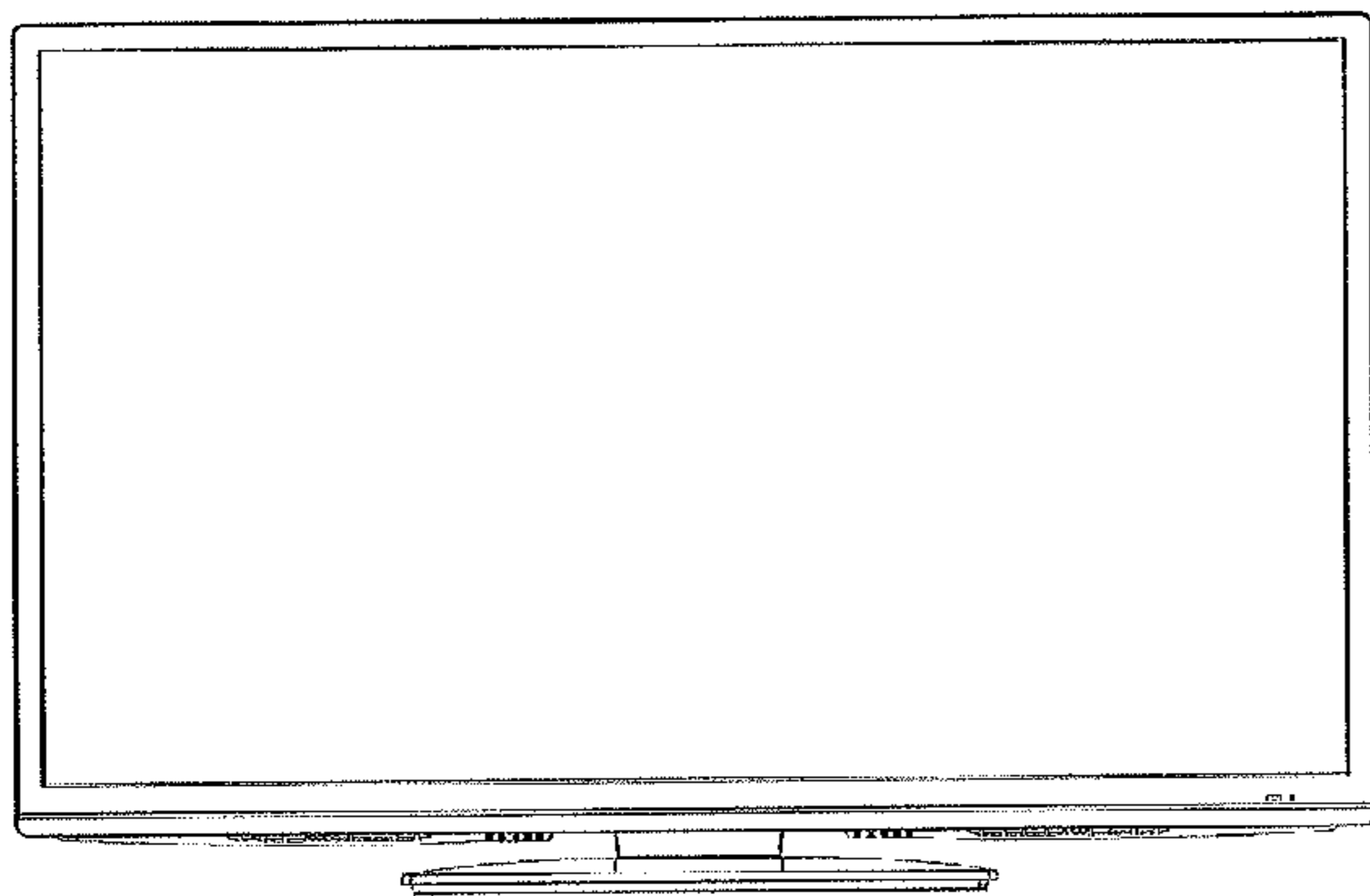


Figure 1

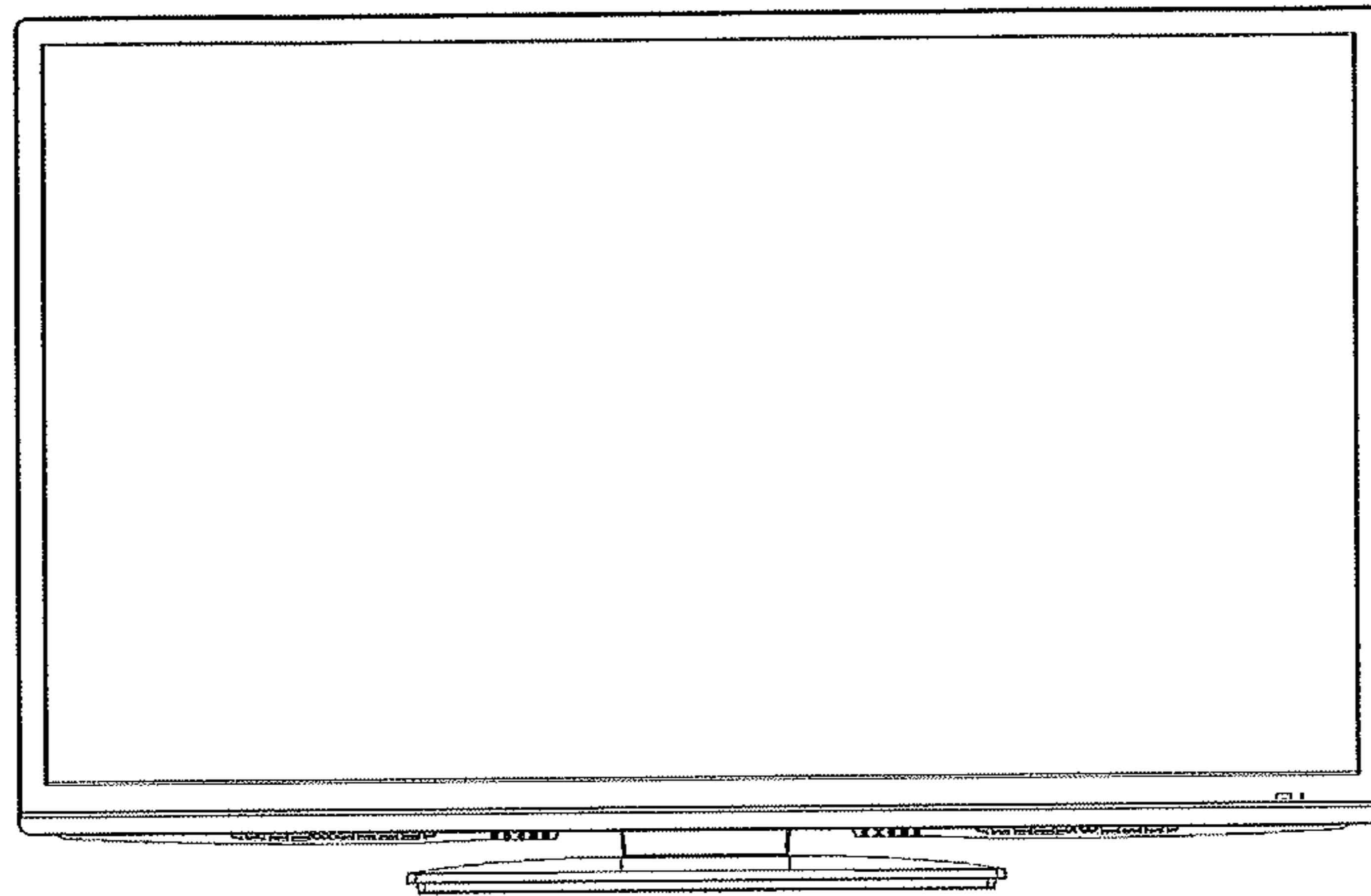


Figure 2

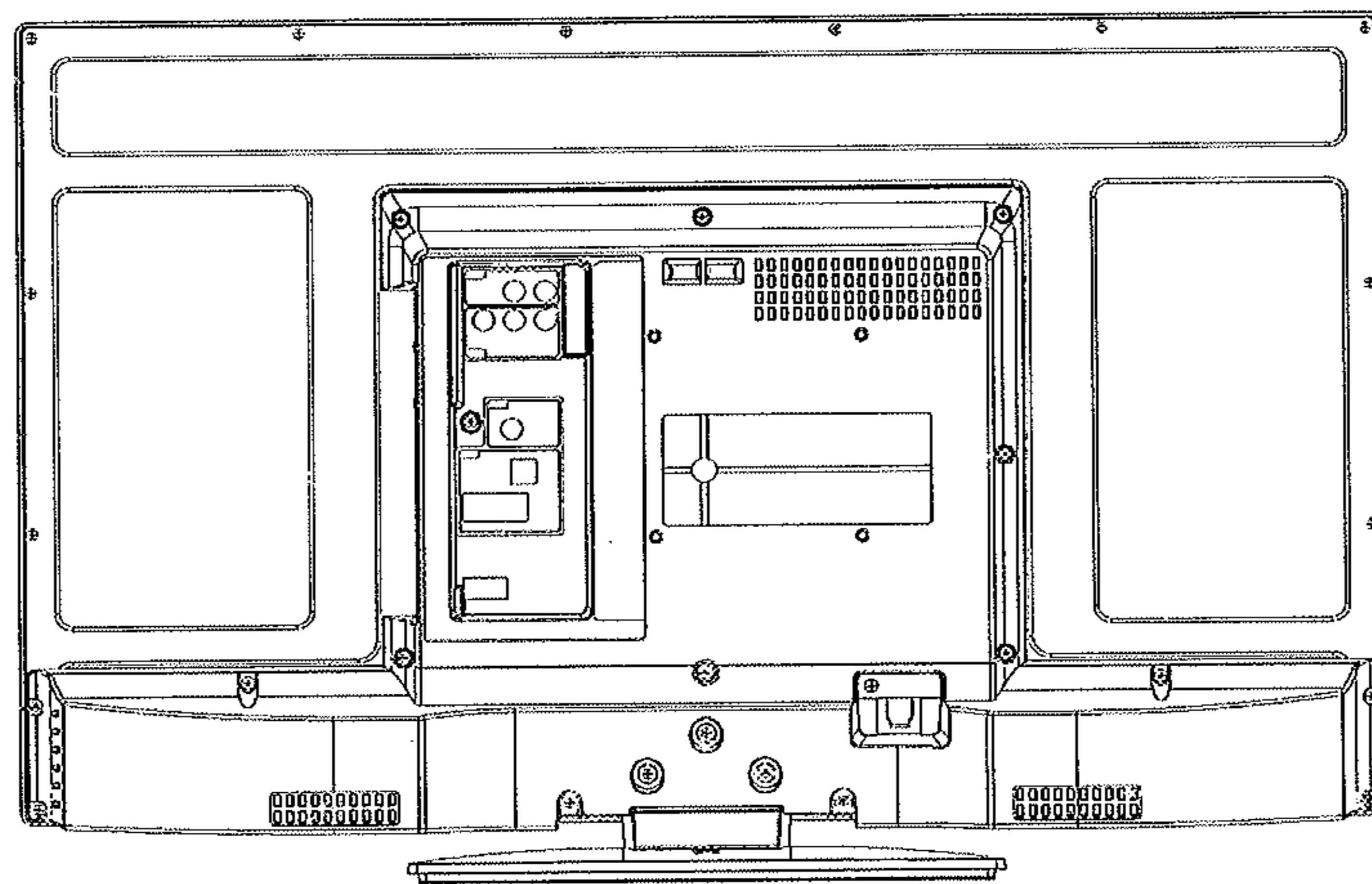


Figure 3

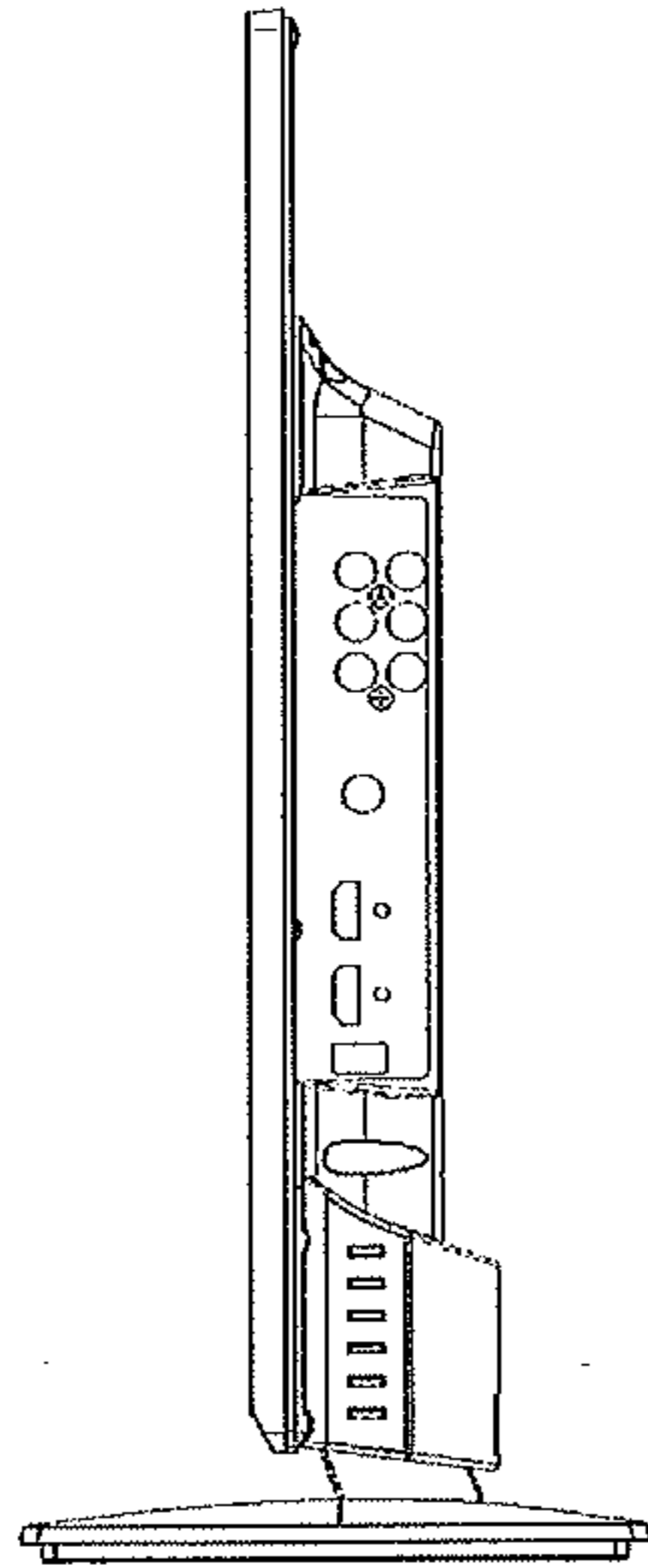


Figure 4

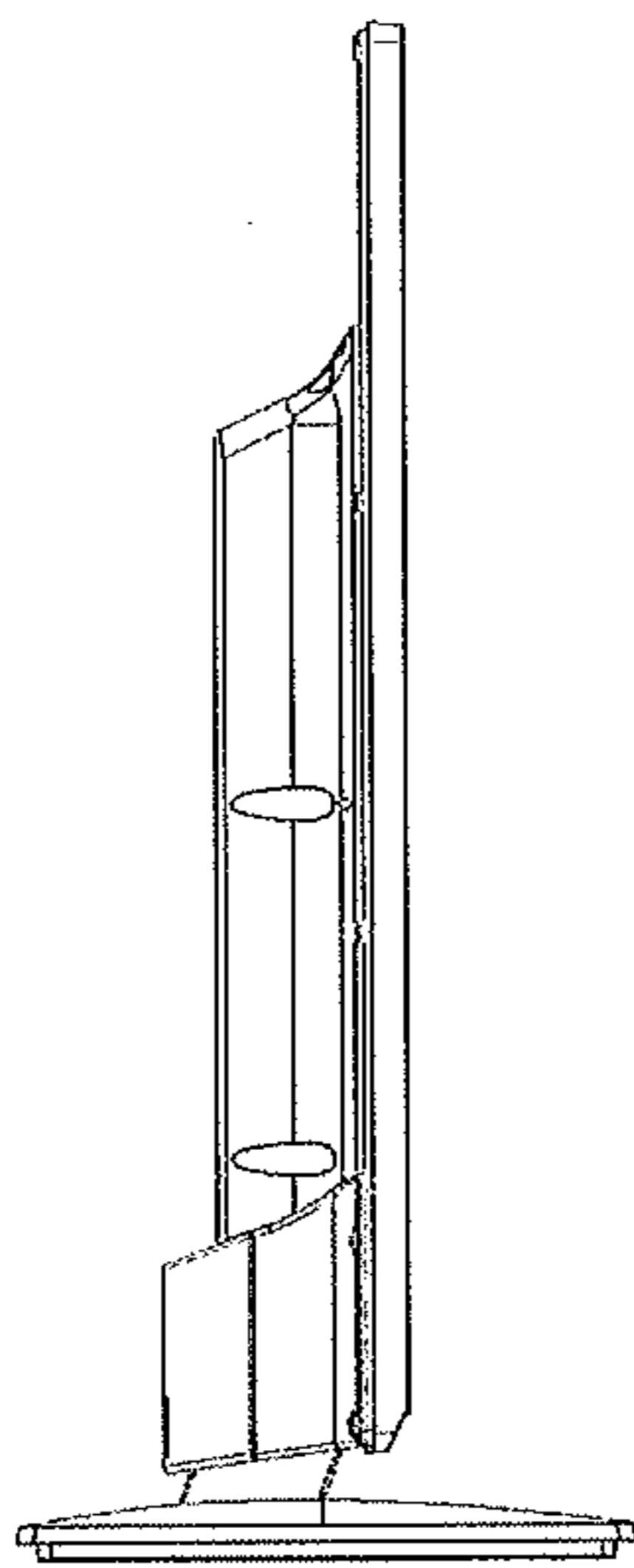


Figure 5

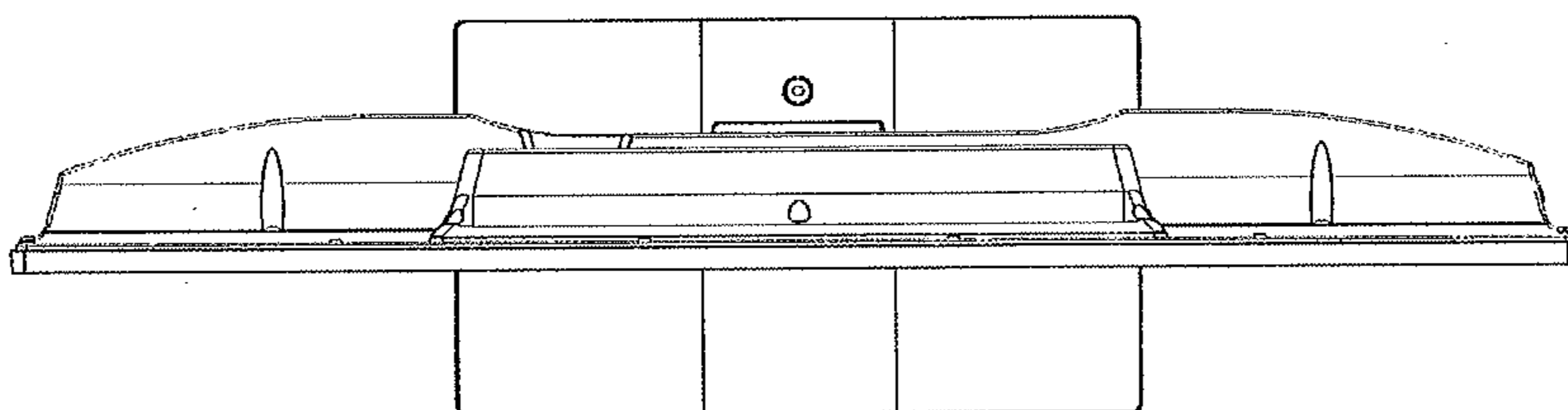


Figure 6

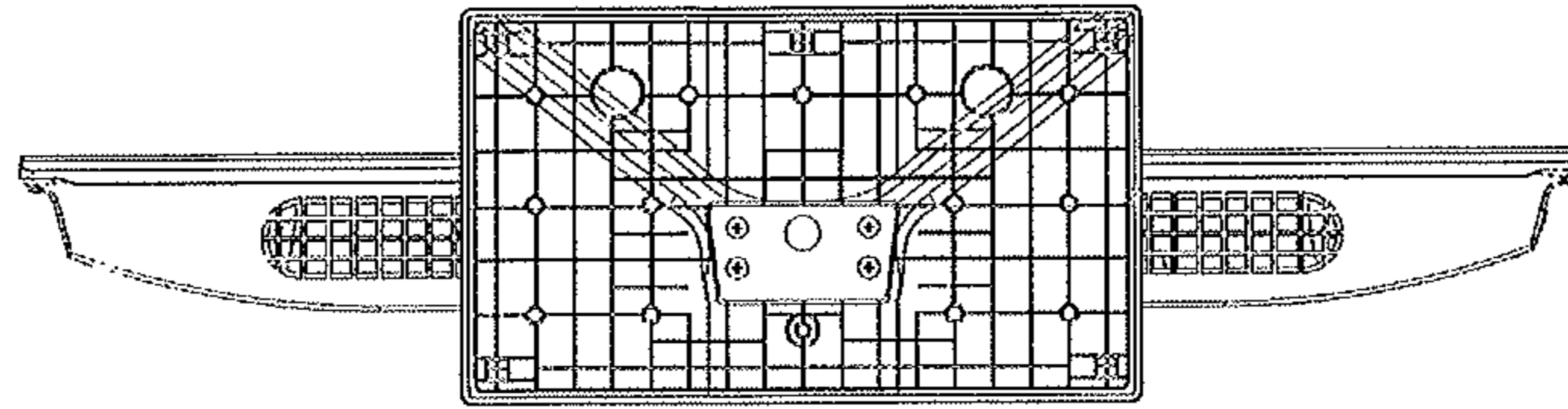


Figure 7

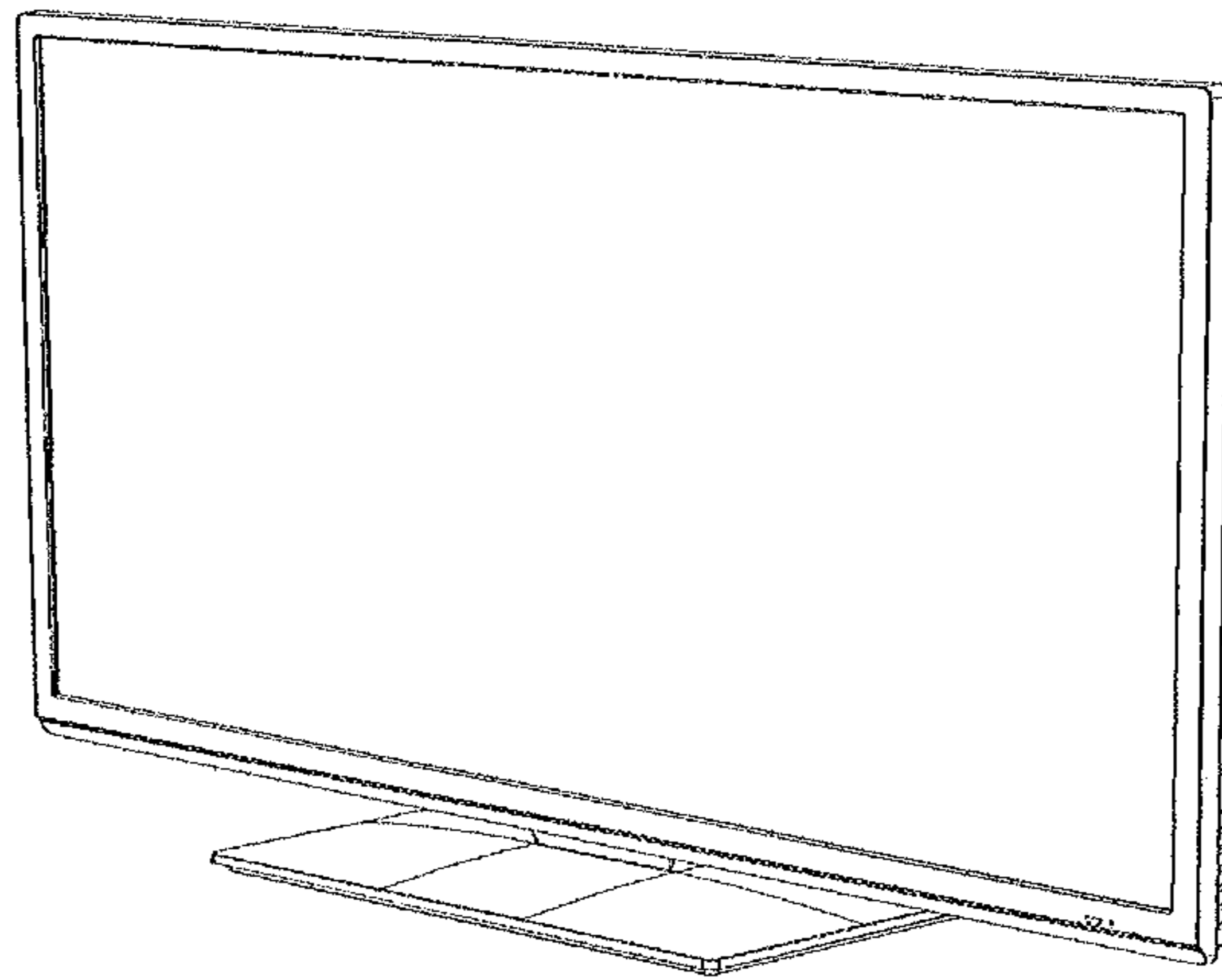


Figure 8

