



US00D693781S

(12) **United States Design Patent**
Kobayashi et al.

(10) **Patent No.:** **US D693,781 S**

(45) **Date of Patent:** **** Nov. 19, 2013**

(54) **LIGHT-EMITTING DIODE**

(71) Applicant: **Kabushiki Kaisha Toshiba**, Tokyo (JP)

(72) Inventors: **Mitsuhiro Kobayashi**, Yokohama (JP);
Nozomu Takahashi, Ayase (JP)

(73) Assignee: **Kabushiki Kaisha Toshiba** (JP)

(**) Term: **14 Years**

(21) Appl. No.: **29/438,237**

(22) Filed: **Nov. 28, 2012**

(30) **Foreign Application Priority Data**

Aug. 22, 2012 (JP) 2012-020029

(51) **LOC (9) Cl.** **13-03**

(52) **U.S. Cl.**
USPC **D13/180**

(58) **Field of Classification Search**
USPC D13/180; D26/1; 257/79, 80, 81, 88,
257/89, 95, 98, 99, 100, E33.058; 313/483,
313/498, 500; 362/555, 800
See application file for complete search history.

(56) **References Cited**

U.S. PATENT DOCUMENTS

D510,914 S	*	10/2005	Suenaga	D13/180
D511,329 S	*	11/2005	Suenaga	D13/180
D575,244 S	*	8/2008	Lee	D13/180
D579,424 S	*	10/2008	Kim et al.	D13/180
D581,884 S	*	12/2008	Yen	D13/180
D615,504 S		5/2010	Keller et al.		
D661,262 S	*	6/2012	Igarashi et al.	D13/180

2007/0246715	A1*	10/2007	Shin et al.	257/79
2011/0024786	A1*	2/2011	Sugiyama	257/99
2012/0061695	A1*	3/2012	Kim	257/88

FOREIGN PATENT DOCUMENTS

CN	200830120327.8	7/2009
JP	1239573	5/2005
JP	1363679	6/2009
JP	1363680	6/2009
JP	1420644	8/2011

* cited by examiner

Primary Examiner — Selina Sikder

(74) *Attorney, Agent, or Firm* — Banner & Witcoff, Ltd.

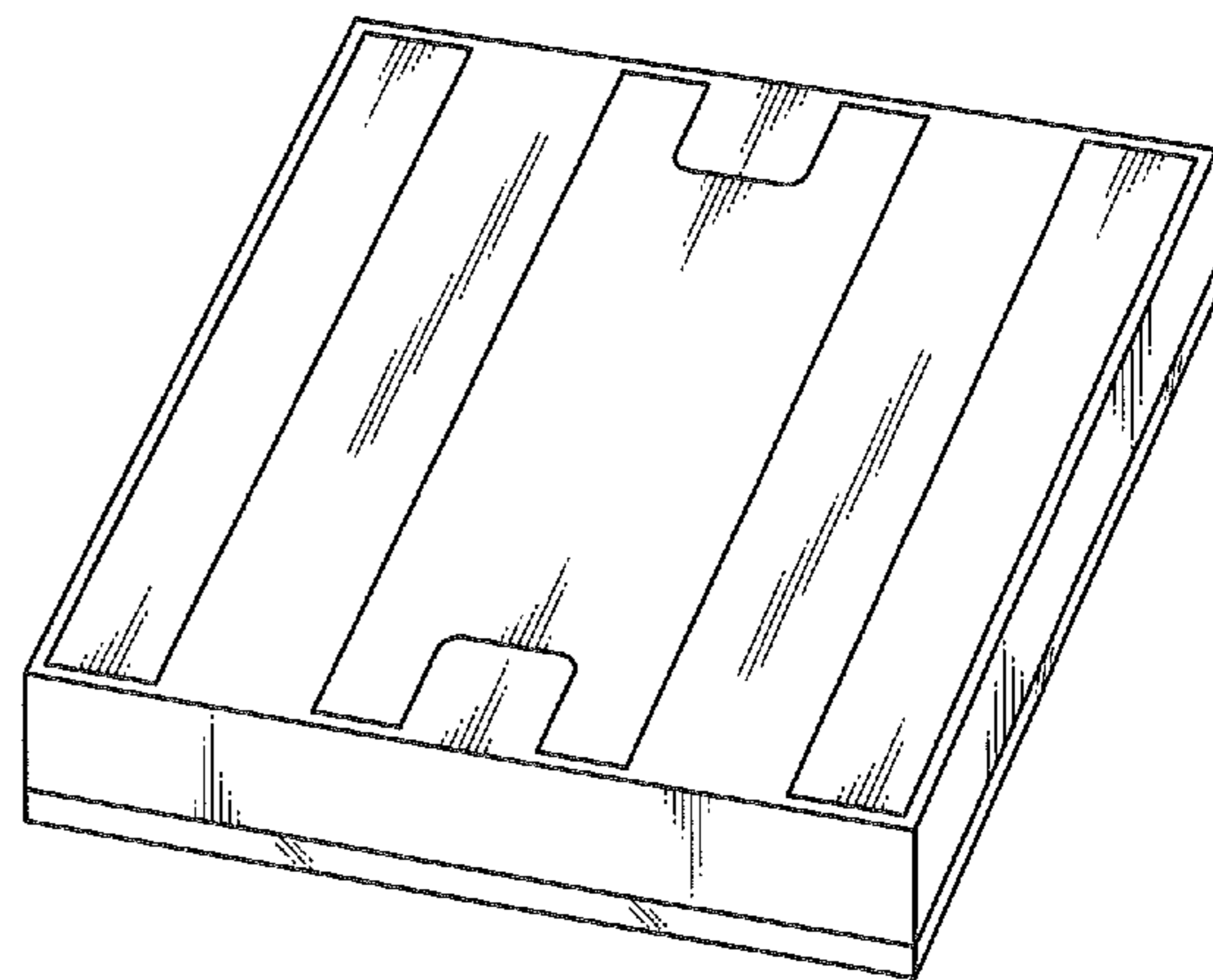
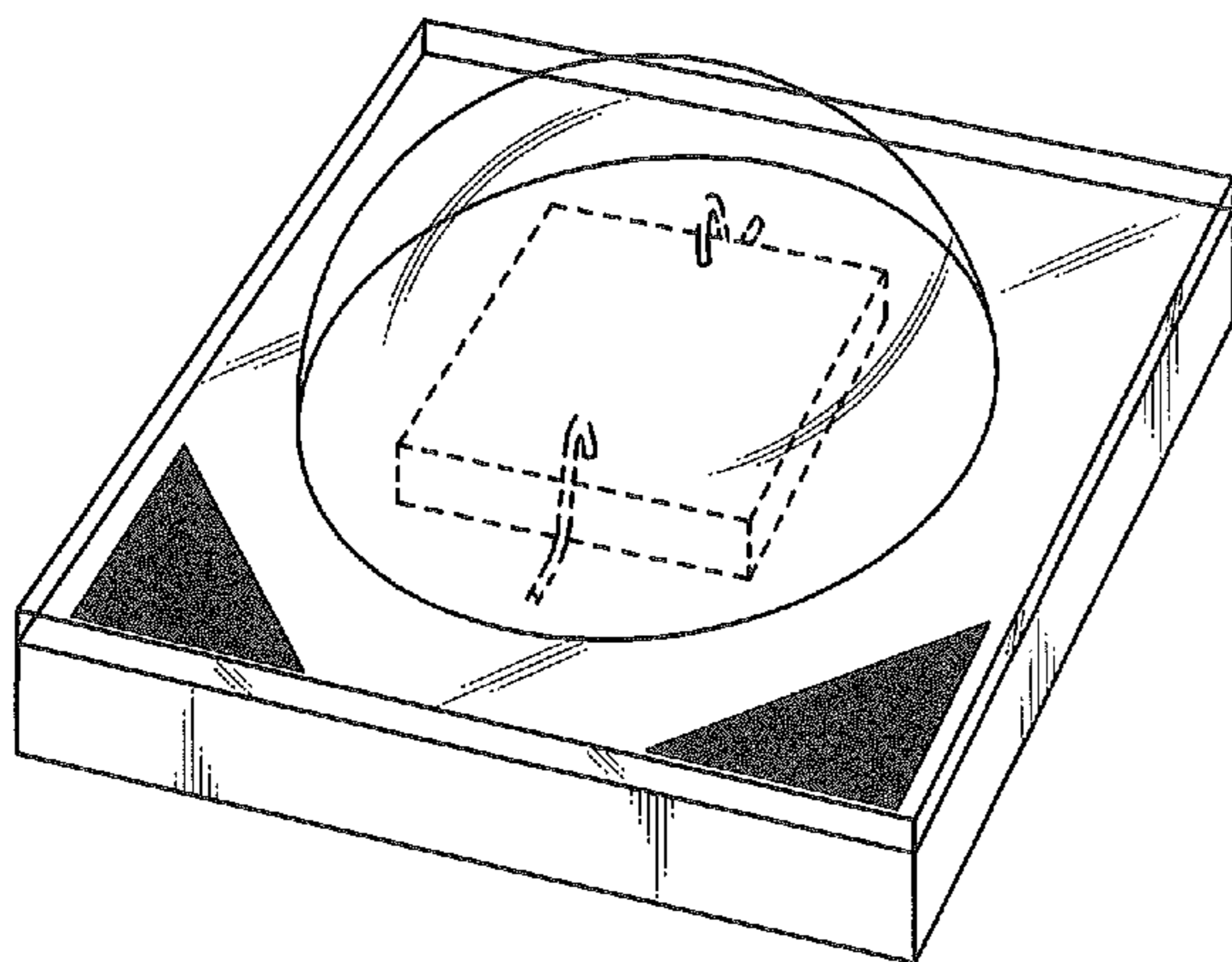
(57) **CLAIM**

The ornamental design for a light-emitting diode, as shown and described.

DESCRIPTION

FIG. 1 is a front perspective view of a light-emitting diode, showing our new design;
FIG. 2 is a rear perspective view thereof;
FIG. 3 is a front elevational view thereof;
FIG. 4 is a rear elevational view thereof;
FIG. 5 is a top plan view thereof;
FIG. 6 is a bottom plan view thereof;
FIG. 7 is a right side elevational view thereof; the opposite side being a mirror image thereof; and,
FIG. 8 is an end view thereof, taken along the line 8-8 in FIG. 3, with its internal mechanisms omitted.
The broken lines are for illustrative purposes only and form no part of the claimed design.

1 Claim, 4 Drawing Sheets



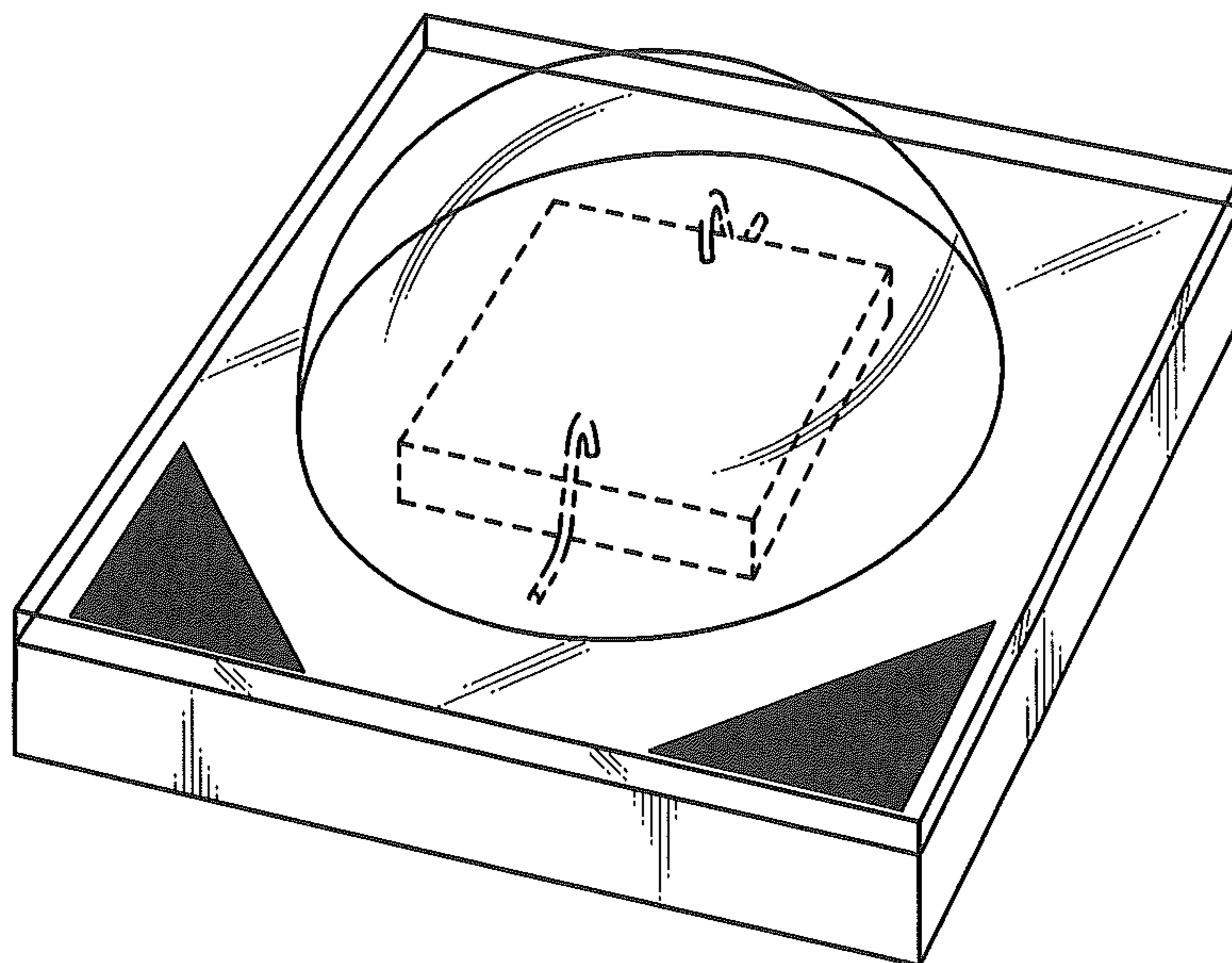


FIG. 1

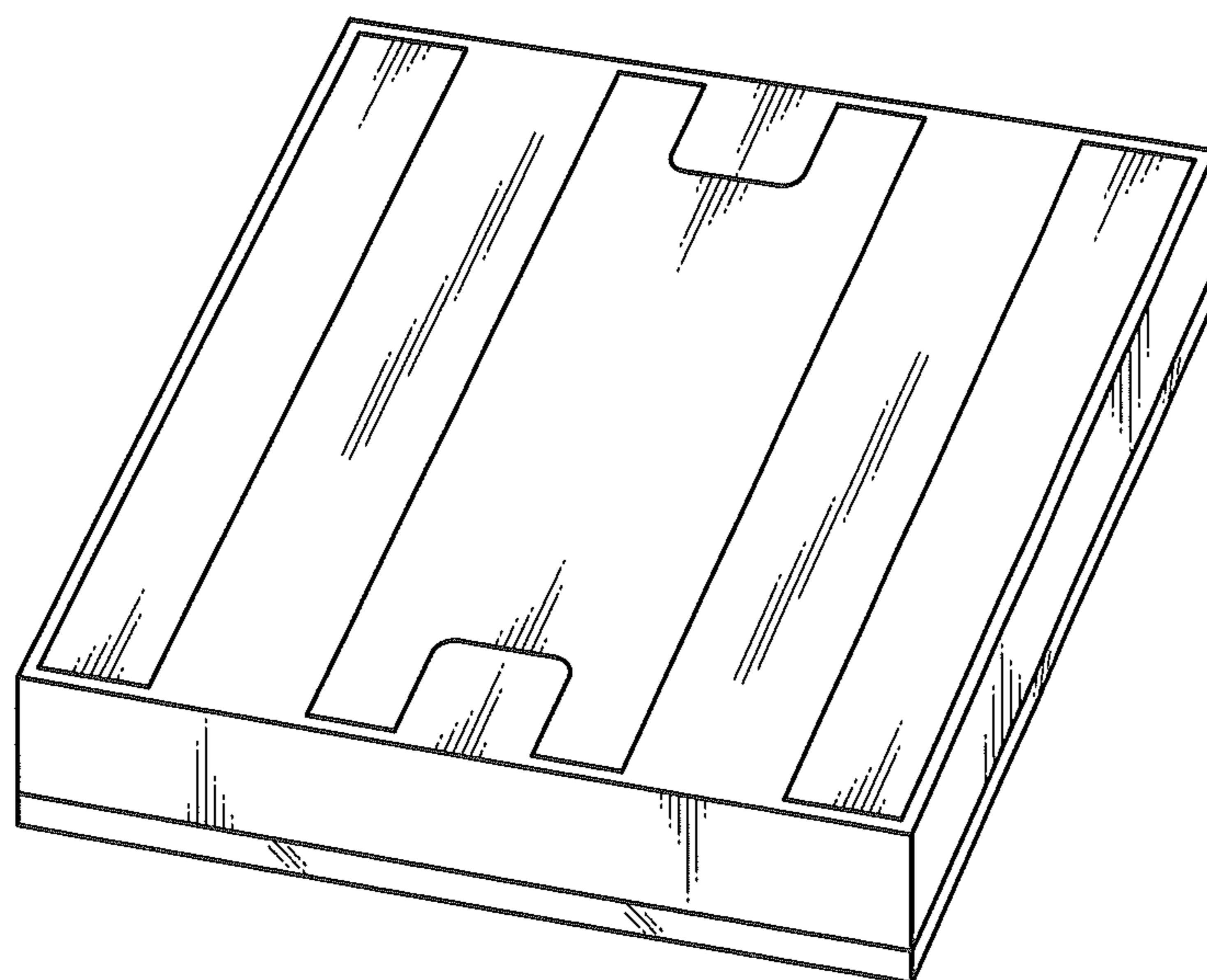


FIG. 2

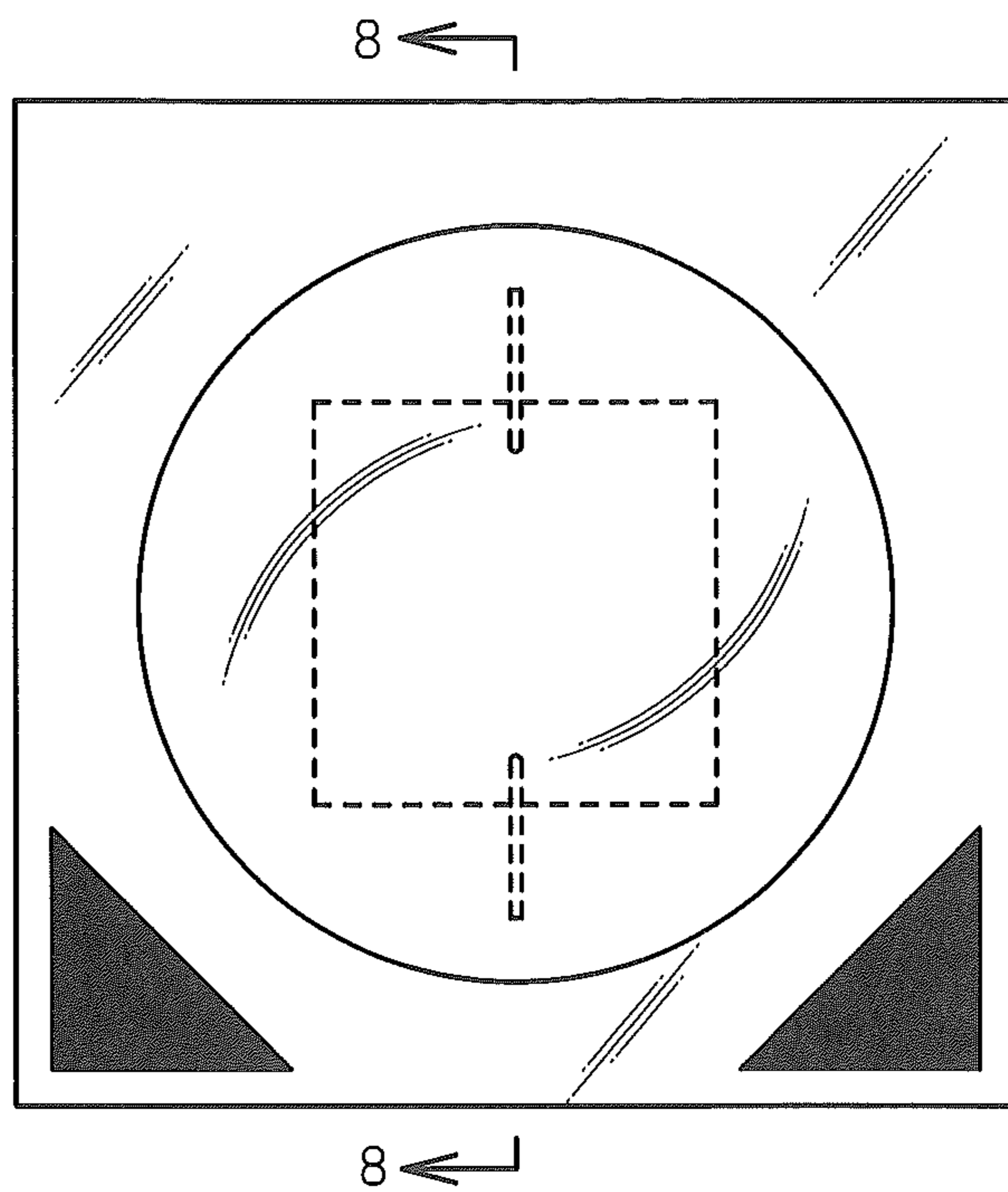


FIG. 3

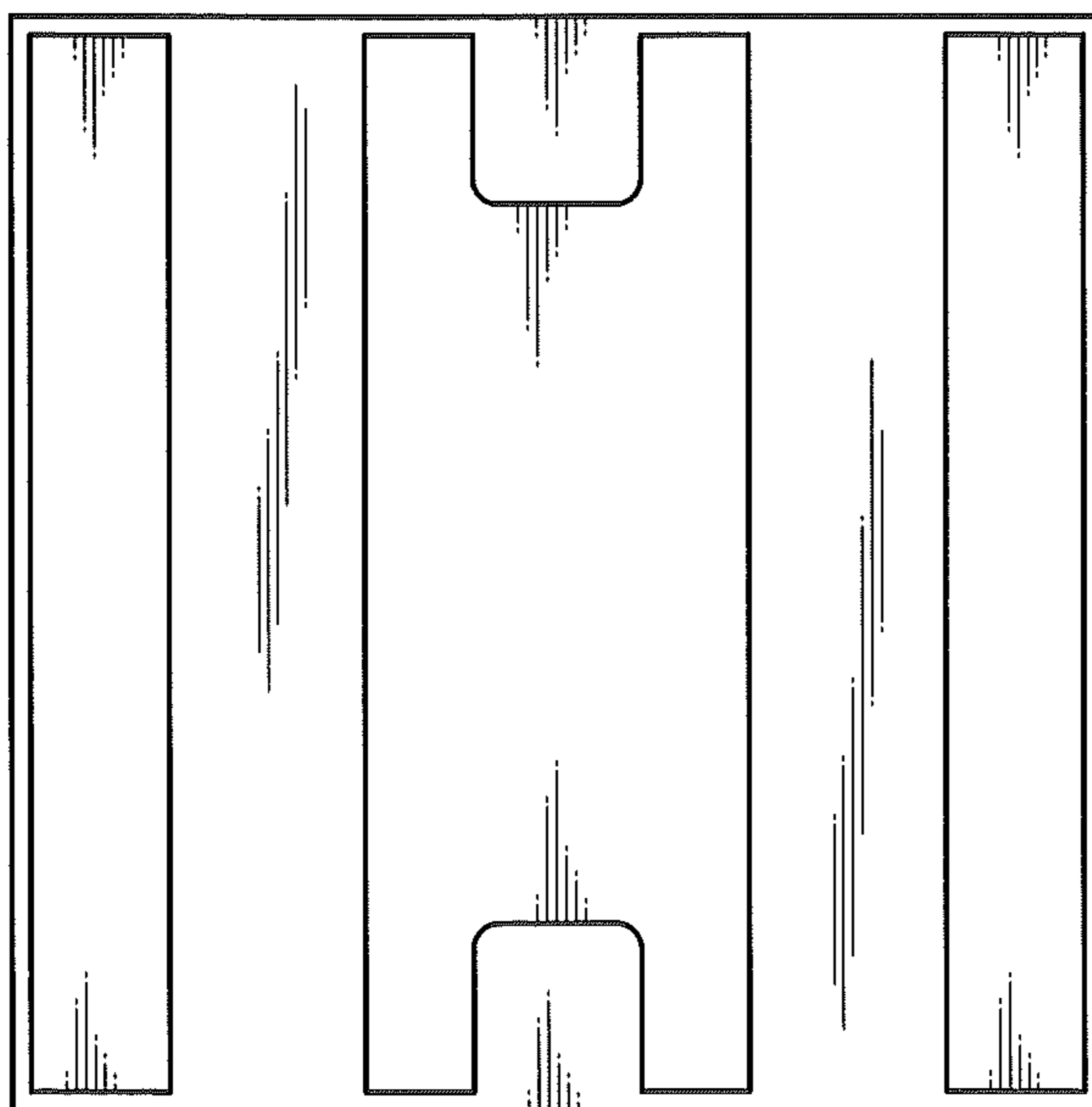


FIG. 4

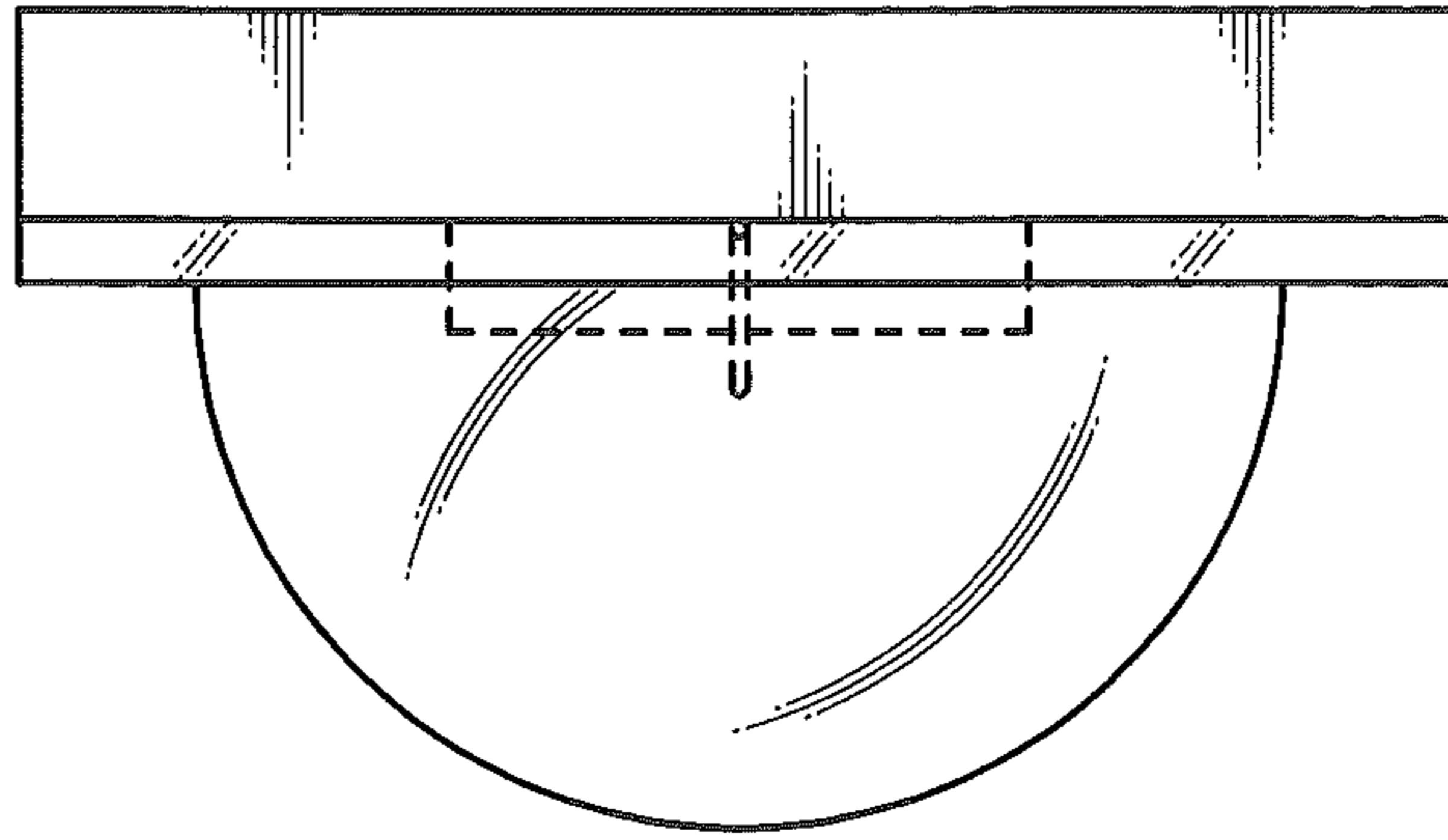


FIG. 5

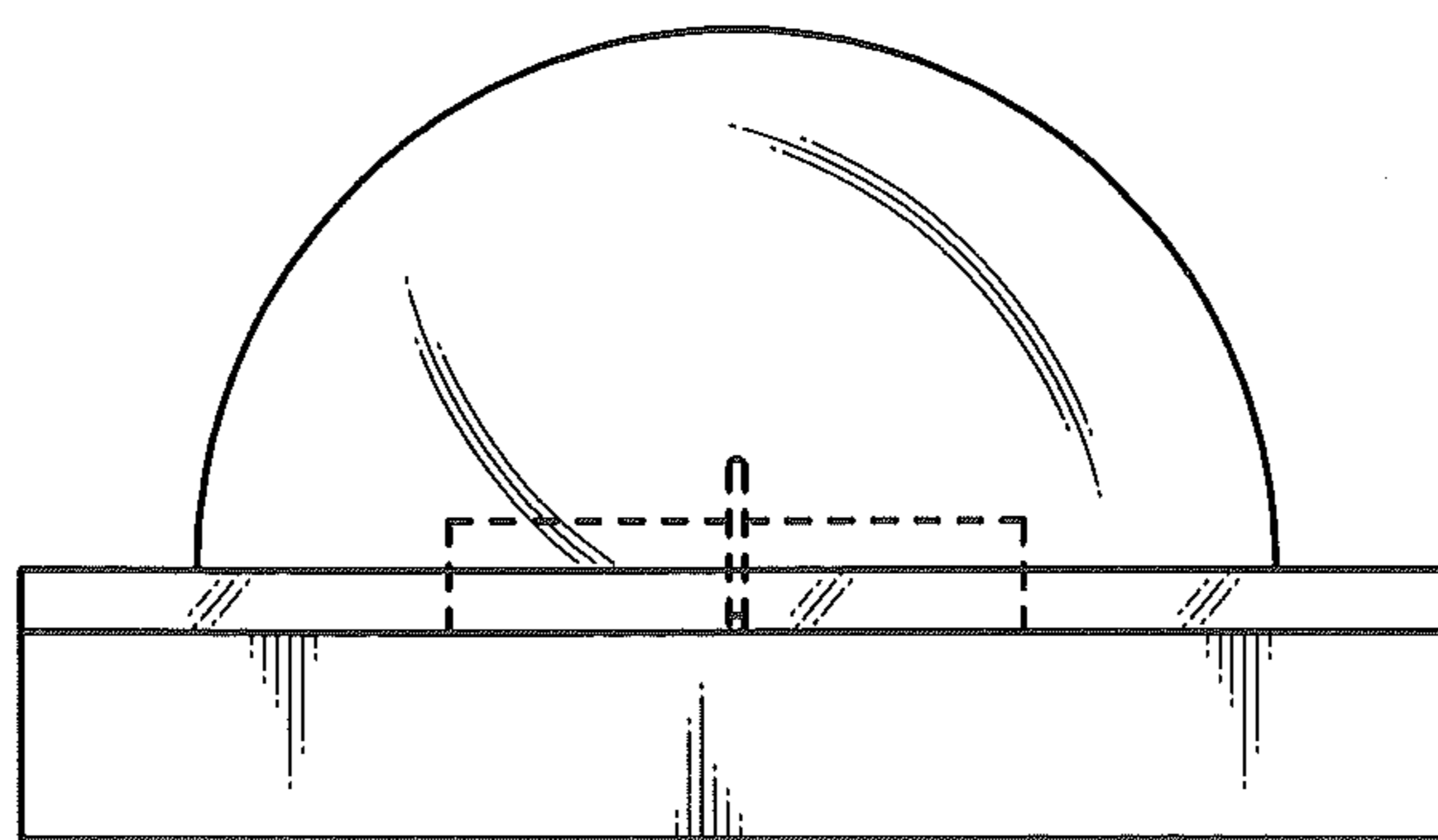


FIG. 6

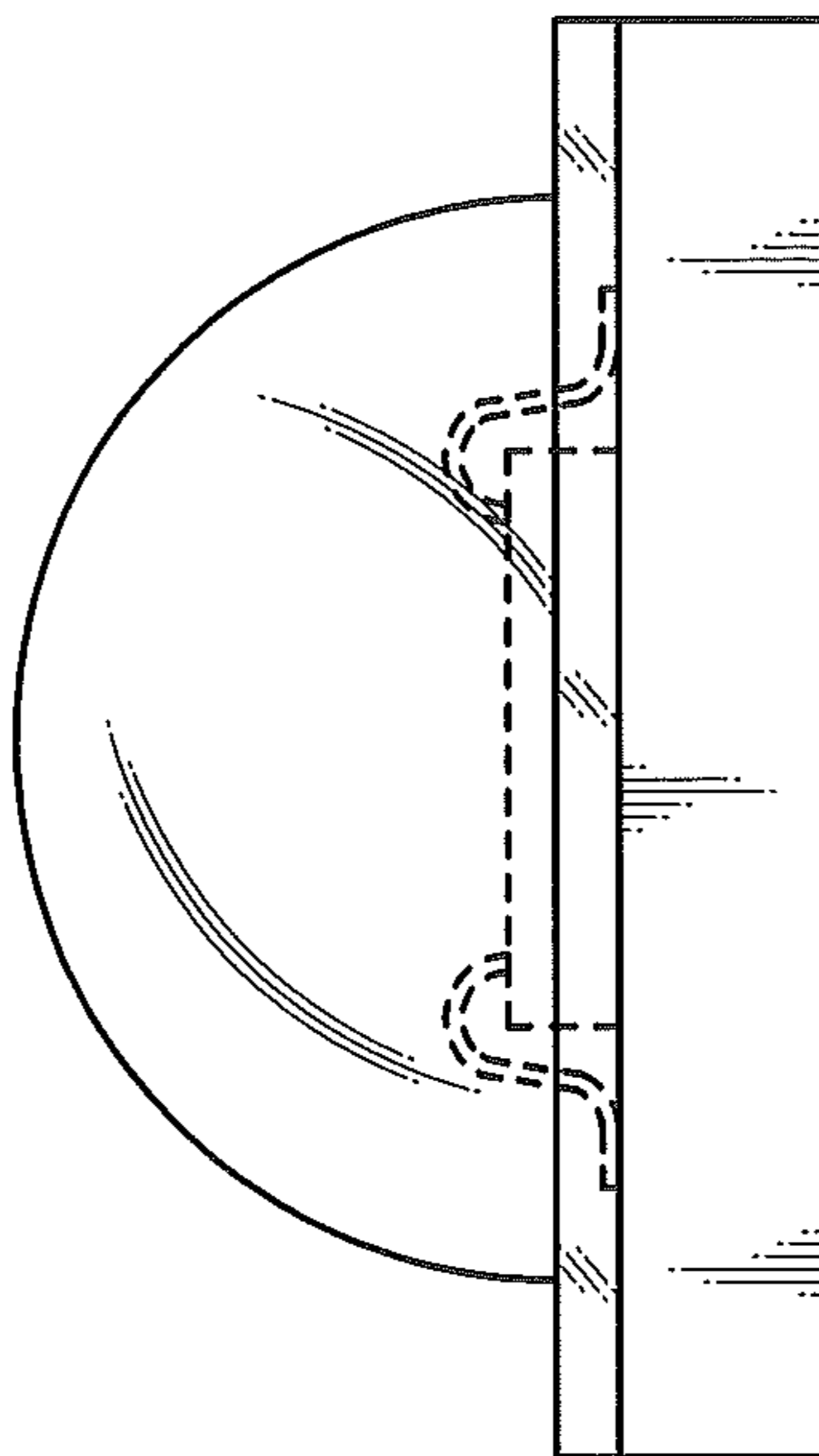


FIG. 7

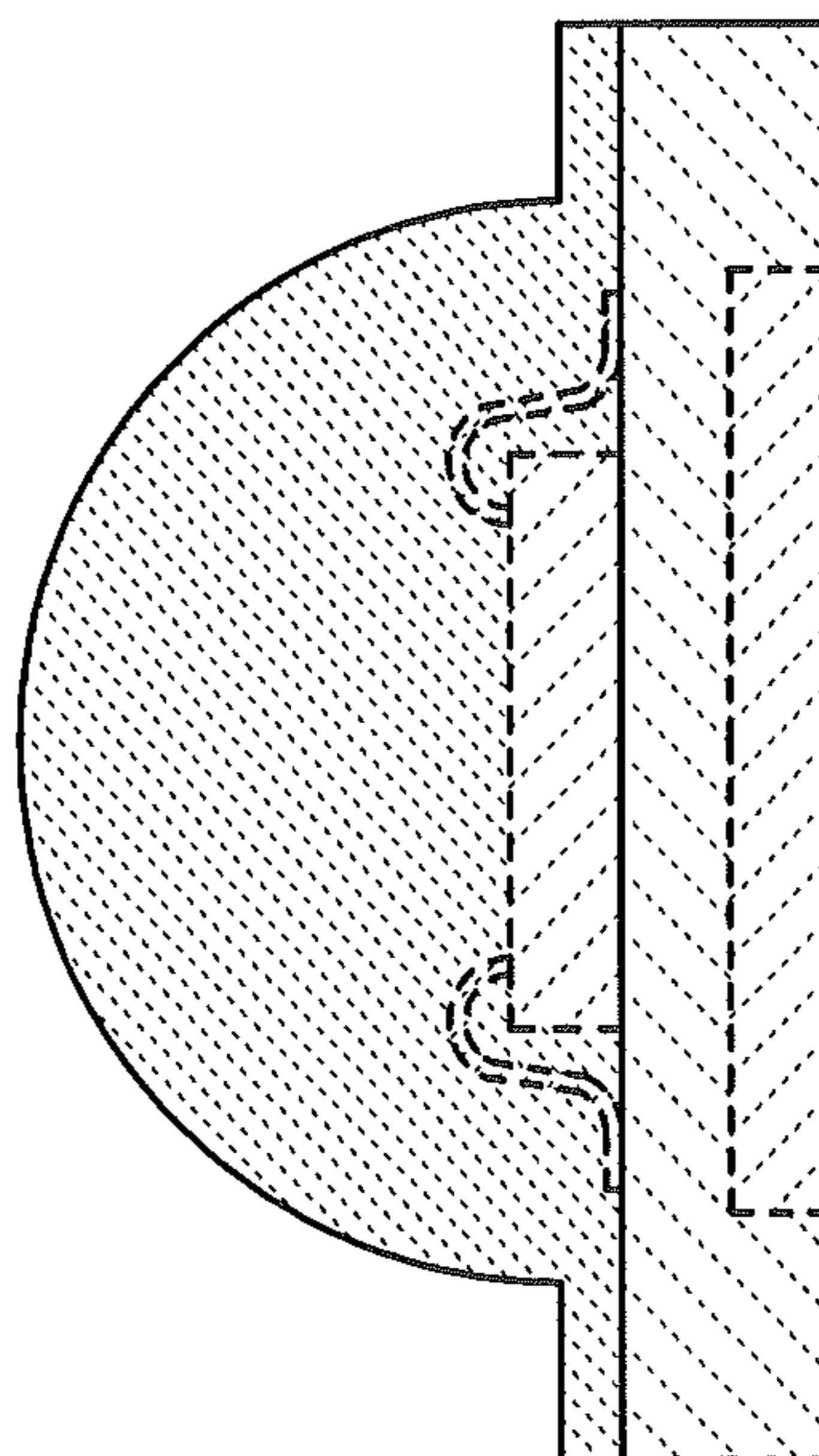


FIG. 8