

US00D693780S

(12) **United States Design Patent**
Chen et al.

(10) **Patent No.:** **US D693,780 S**

(45) **Date of Patent:** **** Nov. 19, 2013**

(54) **LIGHT EMITTING DIODE PACKAGE**

(71) Applicant: **Lextar Electronics Corp.**, Hsinchu (TW)

(72) Inventors: **Shing-Kuo Chen**, Taipei (TW);
Pei-Song Cai, Miao Li County (TW);
Bo-Yu Ko, New Taipei (TW); **Chun-Wei Wang**, New Taipei (TW)

(73) Assignee: **Lextar Electronics Corporation**, Hsinchu (TW)

(**) Term: **14 Years**

(21) Appl. No.: **29/433,279**

(22) Filed: **Sep. 27, 2012**

(51) **LOC (9) Cl.** **13-03**

(52) **U.S. Cl.**
USPC **D13/180**

(58) **Field of Classification Search**
USPC D13/180; D26/1; 257/79, 80, 81, 88,
257/89, 95, 98, 99, 100, E33.058; 313/483,
313/498, 500; 362/555, 800
See application file for complete search history.

(56) **References Cited**

U.S. PATENT DOCUMENTS

D505,397 S * 5/2005 Asakawa D13/180
D517,025 S * 3/2006 Asakawa D13/180

D520,965 S * 5/2006 Omata D13/180
D563,333 S * 3/2008 Kim D13/180
D568,261 S * 5/2008 Lee et al. D13/180
D576,573 S * 9/2008 Kobayakawa D13/180
D592,617 S * 5/2009 Bando D13/180
D593,967 S * 6/2009 Fushimi D13/180
D619,110 S * 7/2010 Lin et al. D13/180
D624,885 S * 10/2010 Lin et al. D13/180
D662,902 S * 7/2012 Shieh et al. D13/180
D674,361 S * 1/2013 Lin et al. D13/180
2012/0104426 A1 * 5/2012 Chan et al. 257/89

* cited by examiner

Primary Examiner — Selina Sikder

(74) *Attorney, Agent, or Firm* — Schmeiser, Olsen & Watts LLP

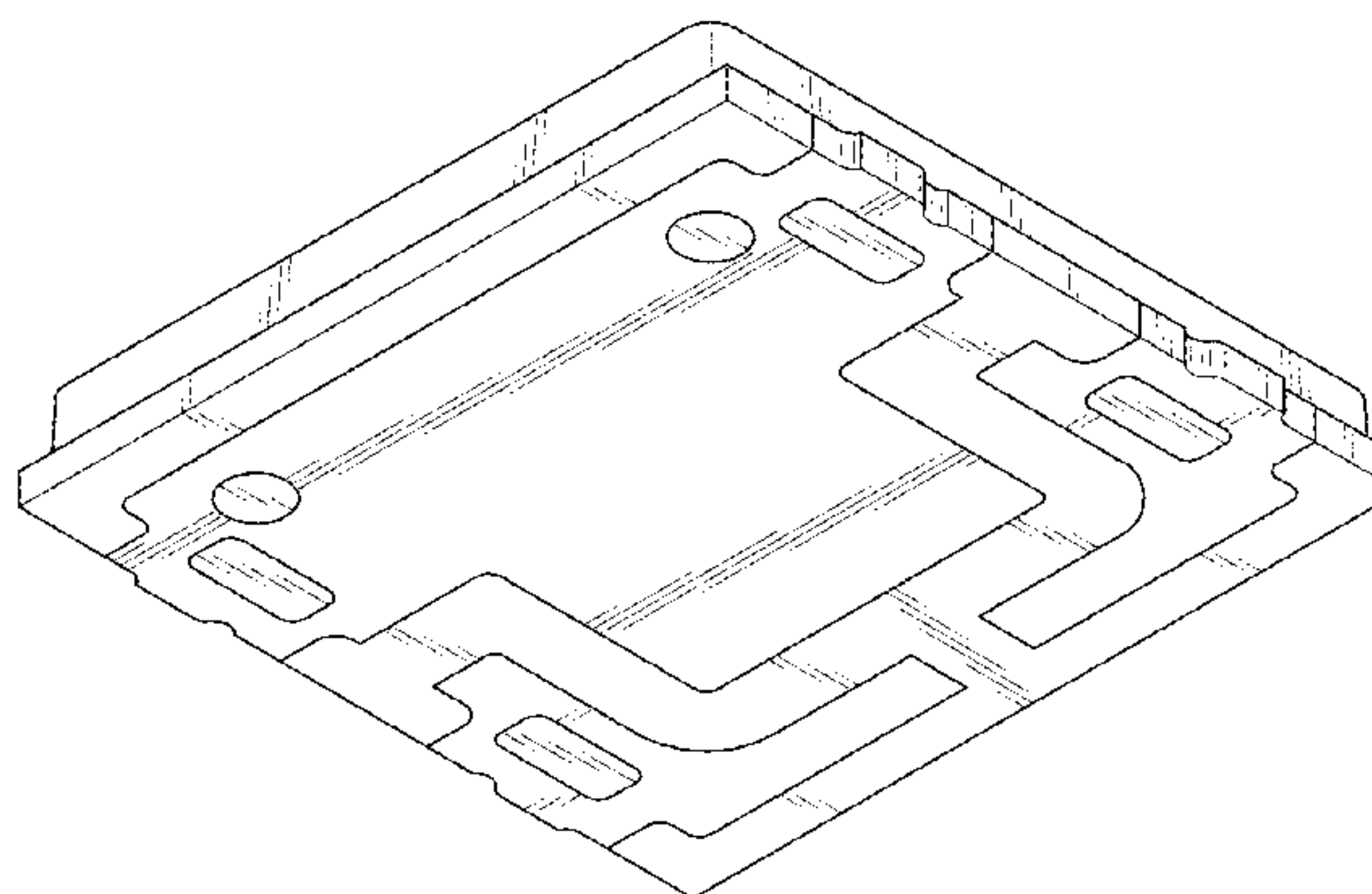
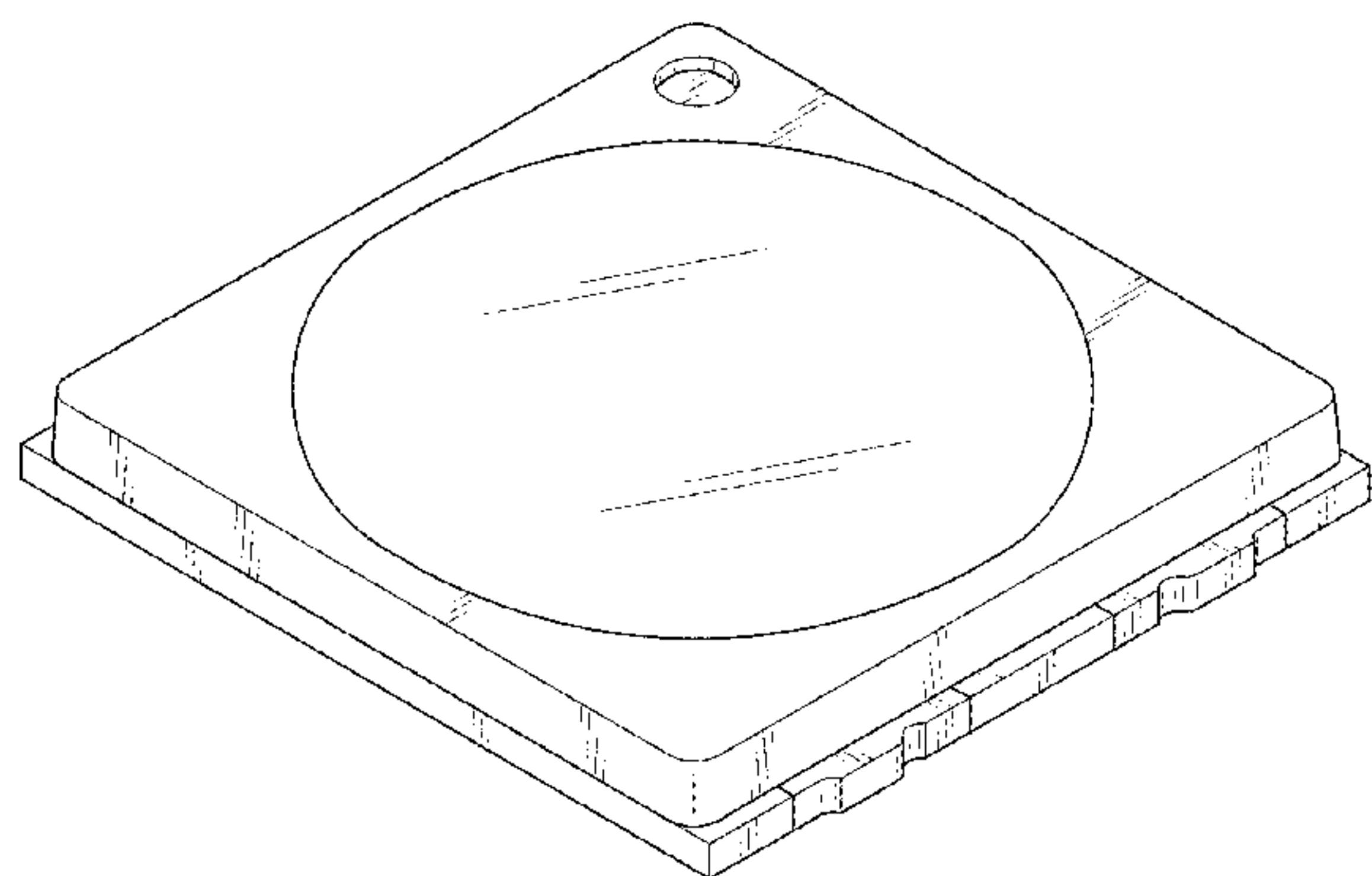
(57) **CLAIM**

The ornamental design for a light emitting diode package, as shown and described.

DESCRIPTION

FIG. 1 is a front perspective view of a light emitting diode package showing the new design;
FIG. 2 is another perspective view thereof;
FIG. 3 is a front elevational view thereof;
FIG. 4 is a rear elevational view thereof;
FIG. 5 is a left side elevational view thereof;
FIG. 6 is a right side elevational view thereof;
FIG. 7 is a top plan view thereof; and,
FIG. 8 is a bottom plan view thereof.

1 Claim, 8 Drawing Sheets



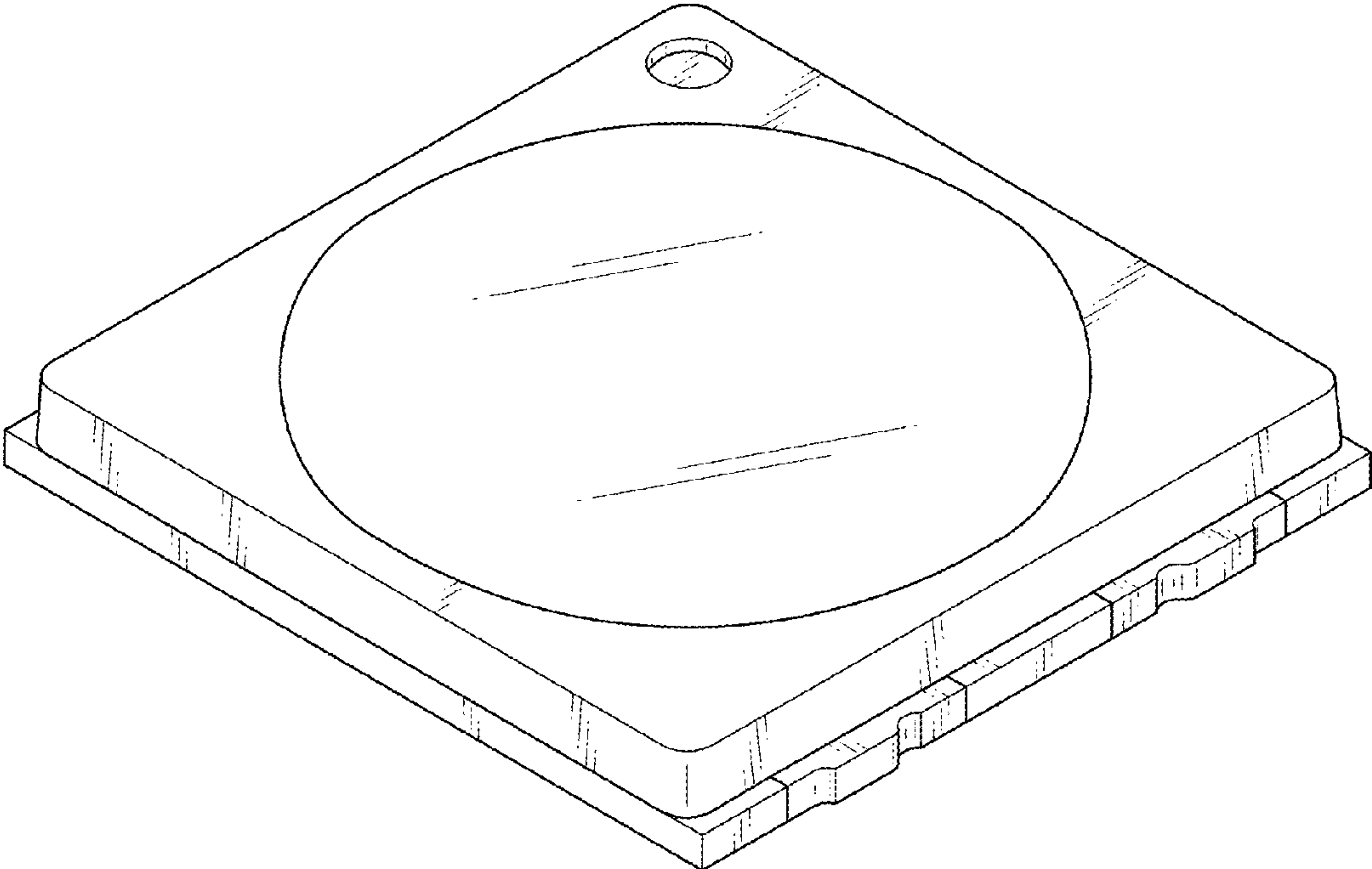


FIG.1

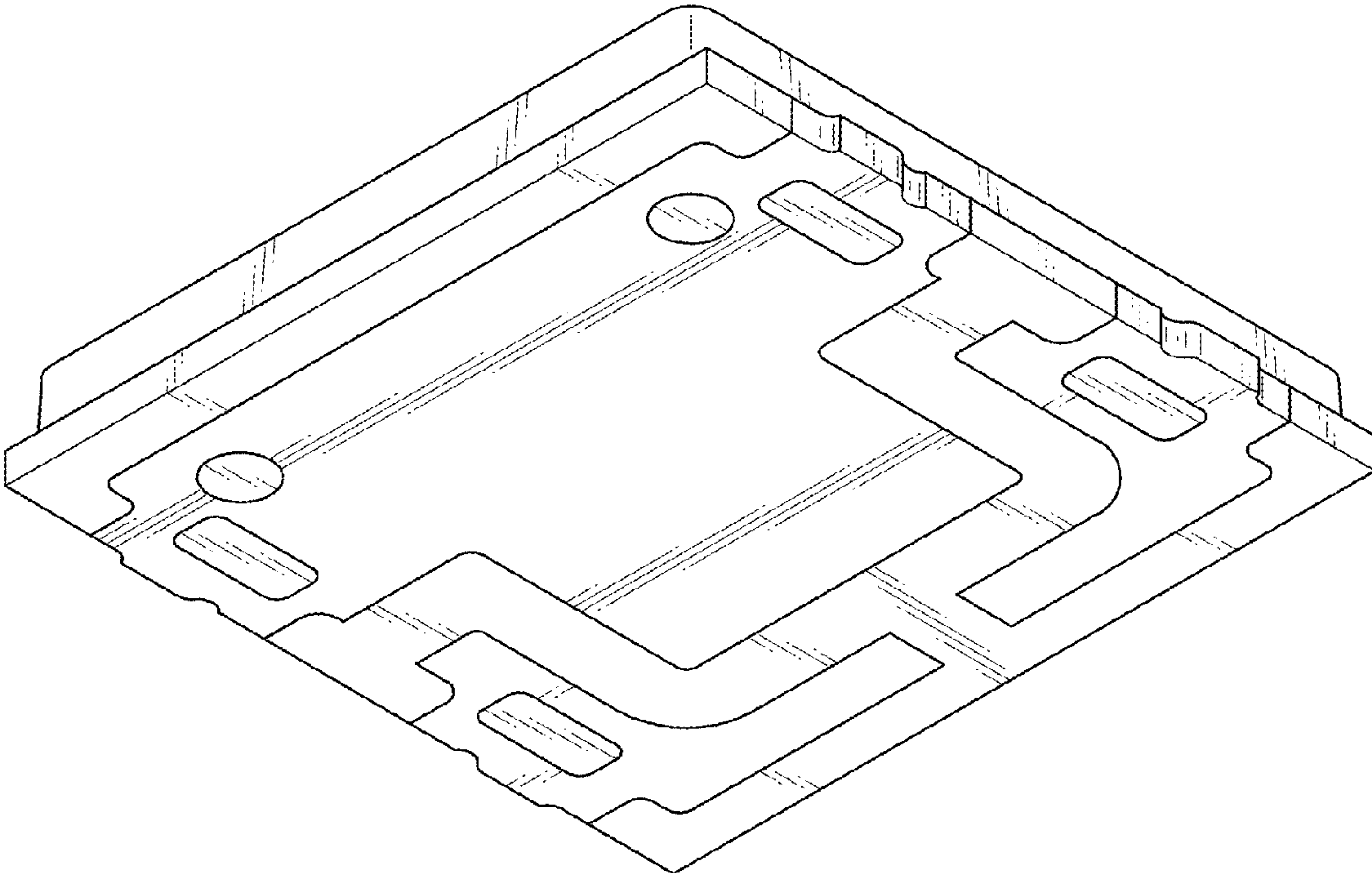


FIG.2

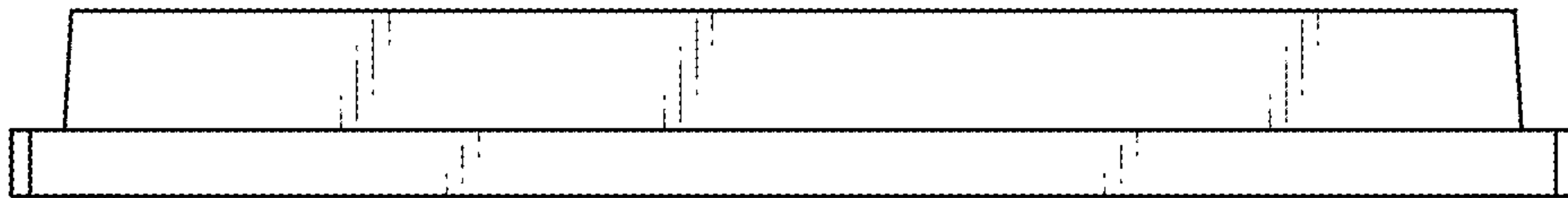


FIG.3

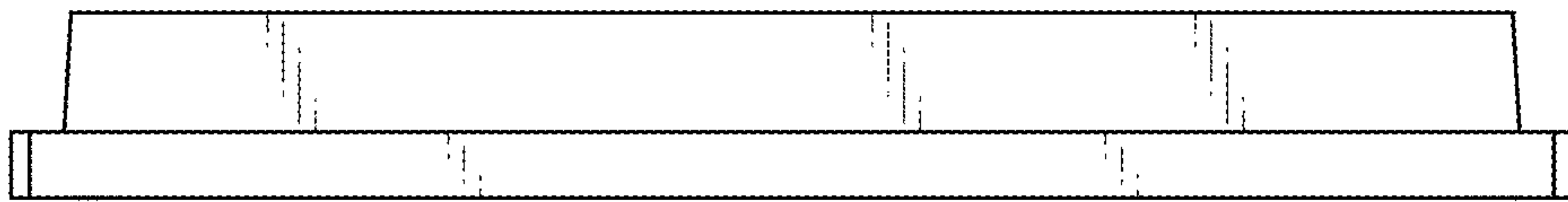


FIG.4



FIG.5

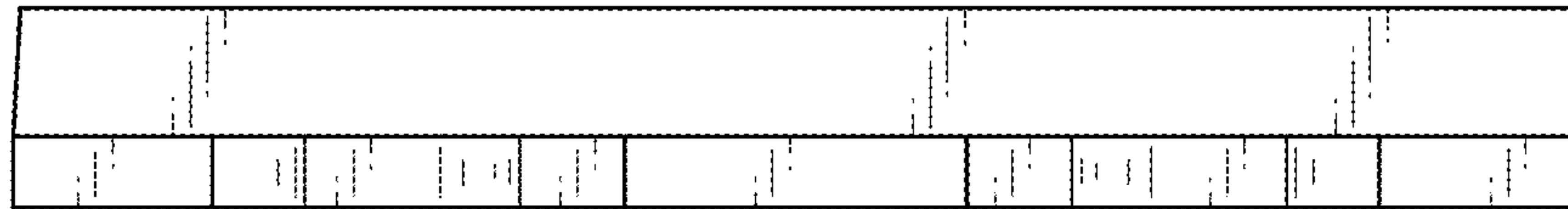


FIG.6

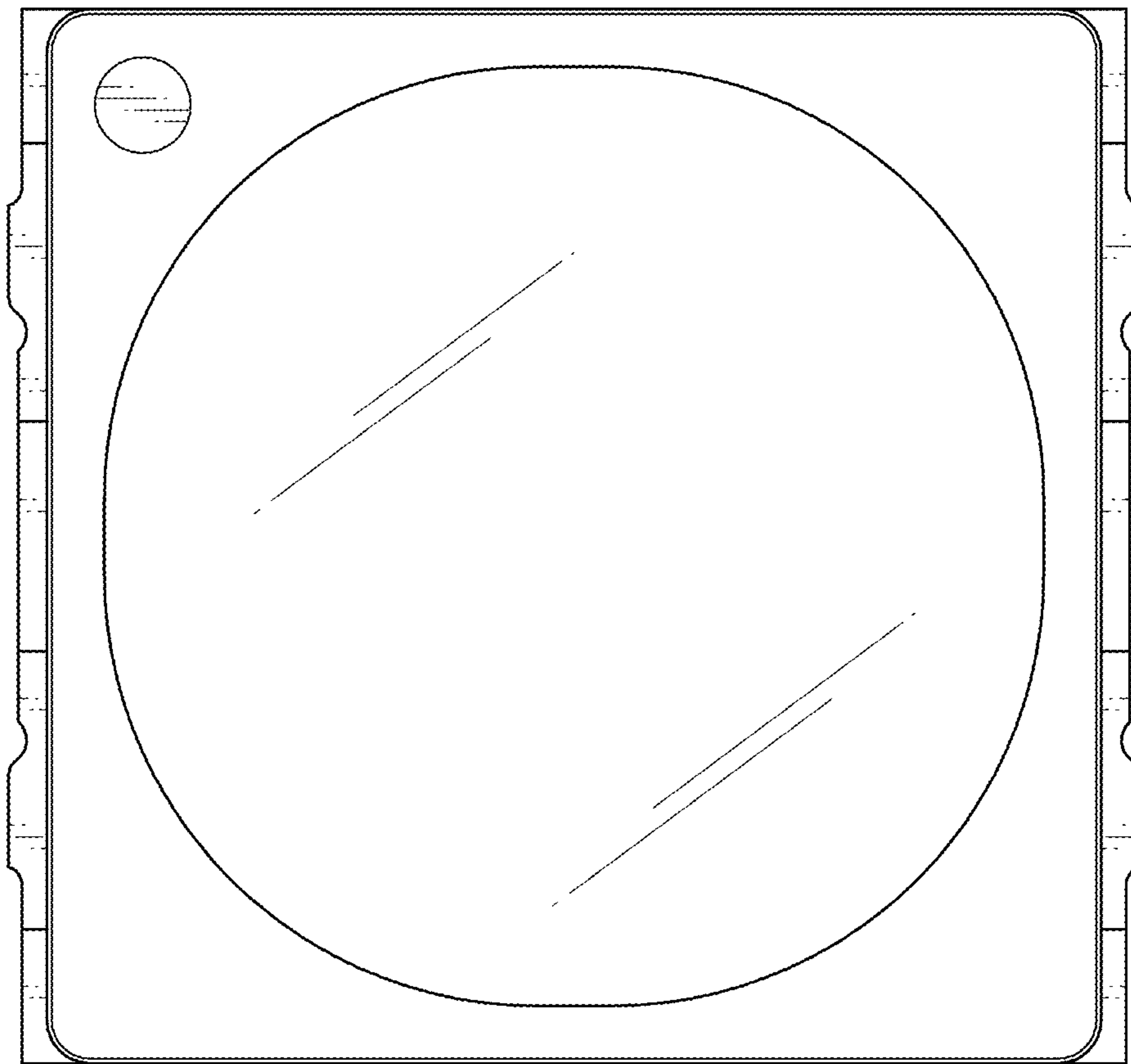


FIG.7

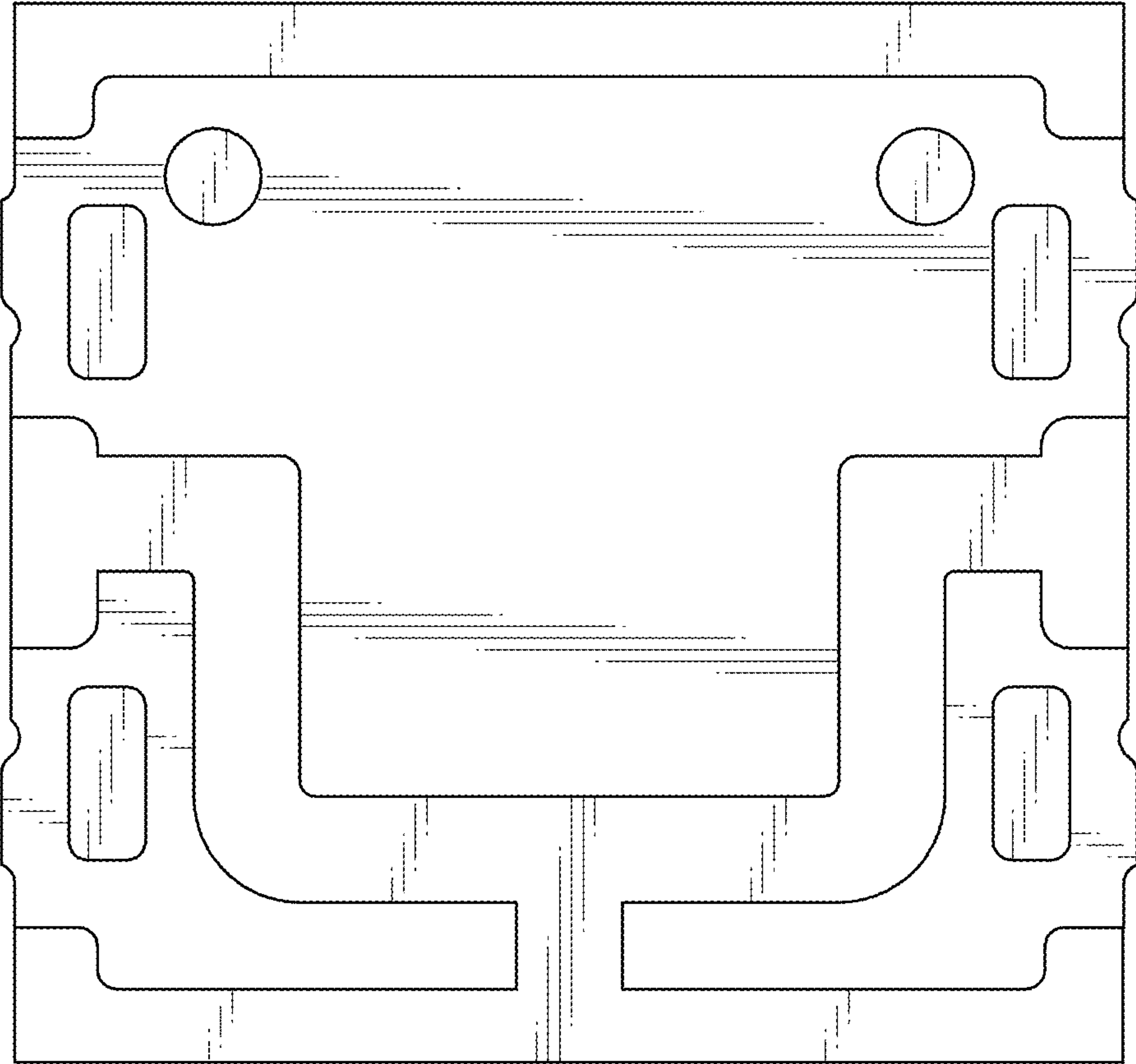


FIG.8