



US00D693779S

(12) **United States Design Patent**  
**Chu et al.**

(10) **Patent No.:** **US D693,779 S**

(45) **Date of Patent:** **\*\* \*Nov. 19, 2013**

(54) **LED CHIP**

(75) Inventors: **Chen-Fu Chu**, Miao-Li County (TW);  
**Chao-Chen Cheng**, Miao-Li County  
(TW)

(73) Assignee: **Semileds Optoelectronics Co., Ltd.**,  
Miao-Li County (TW)

(\*) Notice: This patent is subject to a terminal dis-  
claimer.

(\*\*) Term: **14 Years**

(21) Appl. No.: **29/419,105**

(22) Filed: **Apr. 25, 2012**  
(Under 37 CFR 1.47)

(30) **Foreign Application Priority Data**

Oct. 28, 2011 (TW) ..... 100305821

(51) **LOC (9) Cl.** ..... **13-03**

(52) **U.S. Cl.**  
USPC ..... **D13/180**

(58) **Field of Classification Search**  
USPC ..... D13/180; D26/1; 257/79, 80, 81, 88,  
257/89, 95, 98, 99, 100, E33.058; 313/483,  
313/498, 500; 362/555, 800  
See application file for complete search history.

(56) **References Cited**

U.S. PATENT DOCUMENTS

6,547,249	B2 *	4/2003	Collins et al.	257/88
6,573,537	B1 *	6/2003	Steigerwald et al.	257/103
6,921,924	B2 *	7/2005	Tsai et al.	257/95
7,179,670	B2 *	2/2007	Shelton et al.	438/26
D566,056	S *	4/2008	Edmond et al.	D13/180
D566,057	S *	4/2008	Edmond et al.	D13/180
7,436,066	B2 *	10/2008	Sonobe et al.	257/767
D580,888	S *	11/2008	Liu	D13/180
D593,968	S *	6/2009	Edmond et al.	D13/180
D599,748	S *	9/2009	Liu	D13/180
D602,450	S *	10/2009	Edmond et al.	D13/180

D606,949	S *	12/2009	Liu	D13/180
D635,525	S *	4/2011	Edmond et al.	D13/180
D647,493	S *	10/2011	Chang et al.	D13/180
D647,494	S *	10/2011	Chang et al.	D13/180
D647,495	S *	10/2011	Chang et al.	D13/180
D673,125	S *	12/2012	Edmond et al.	D13/180
D675,580	S *	2/2013	Edmond et al.	D13/180
D676,001	S *	2/2013	Hsu et al.	D13/180
2003/0107053	A1 *	6/2003	Uemura et al.	257/200
2003/0230754	A1 *	12/2003	Steigerwald et al.	257/91
2006/0237735	A1 *	10/2006	Naulin et al.	257/98
2007/0085095	A1 *	4/2007	Ko et al.	257/94
2009/0050924	A1 *	2/2009	Edmond	257/99
2009/0283787	A1 *	11/2009	Donofrio et al.	257/98

\* cited by examiner

*Primary Examiner* — Selina Sikder

(74) *Attorney, Agent, or Firm* — WPAT, PC; Justin King

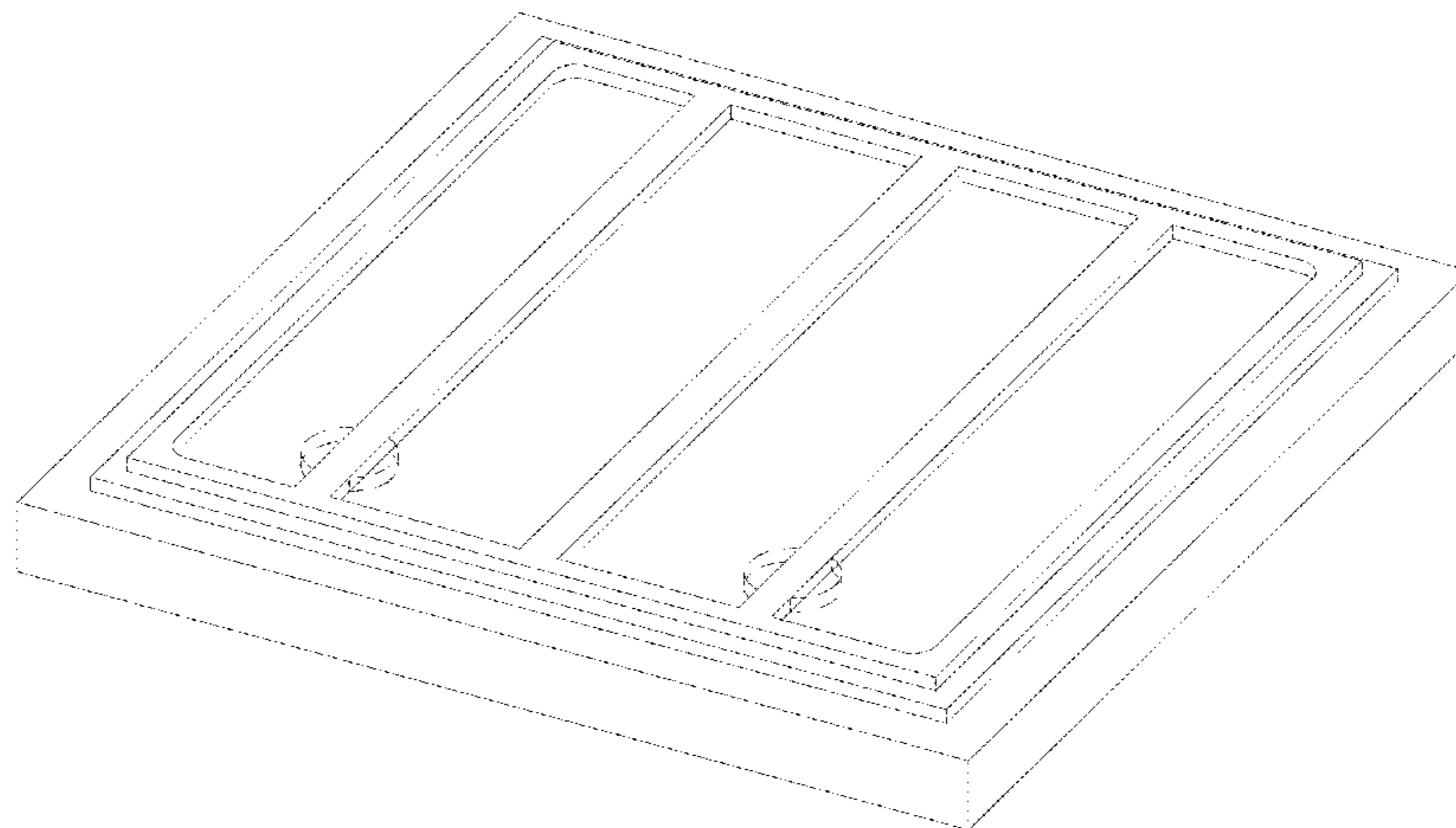
(57) **CLAIM**

The ornamental design for a LED chip, as shown and described in the drawings.

**DESCRIPTION**

FIG. 1 is a perspective view of a light emitting diode device showing my new design;  
 FIG. 2 is a top view thereof;  
 FIG. 3 is a front view thereof;  
 FIG. 4 is a back view thereof;  
 FIG. 5 is a left view thereof;  
 FIG. 6 is a right view thereof;  
 FIG. 7 is a cross-sectional view thereof, take along line 7-7 in FIG. 2.;  
 FIG. 8 is a cross-sectional view thereof, take along line 8-8 in FIG. 2.;  
 FIG. 9 is a right side view of thereof; the left side view is a mirror image of the right side view; and,  
 FIG. 10 is a front view of thereof; the backside view is a mirror image of the front side view.  
 It will be understood that the dash lines presented in the drawings are for illustration only, and do not form a part of the claimed design.

**1 Claim, 8 Drawing Sheets**



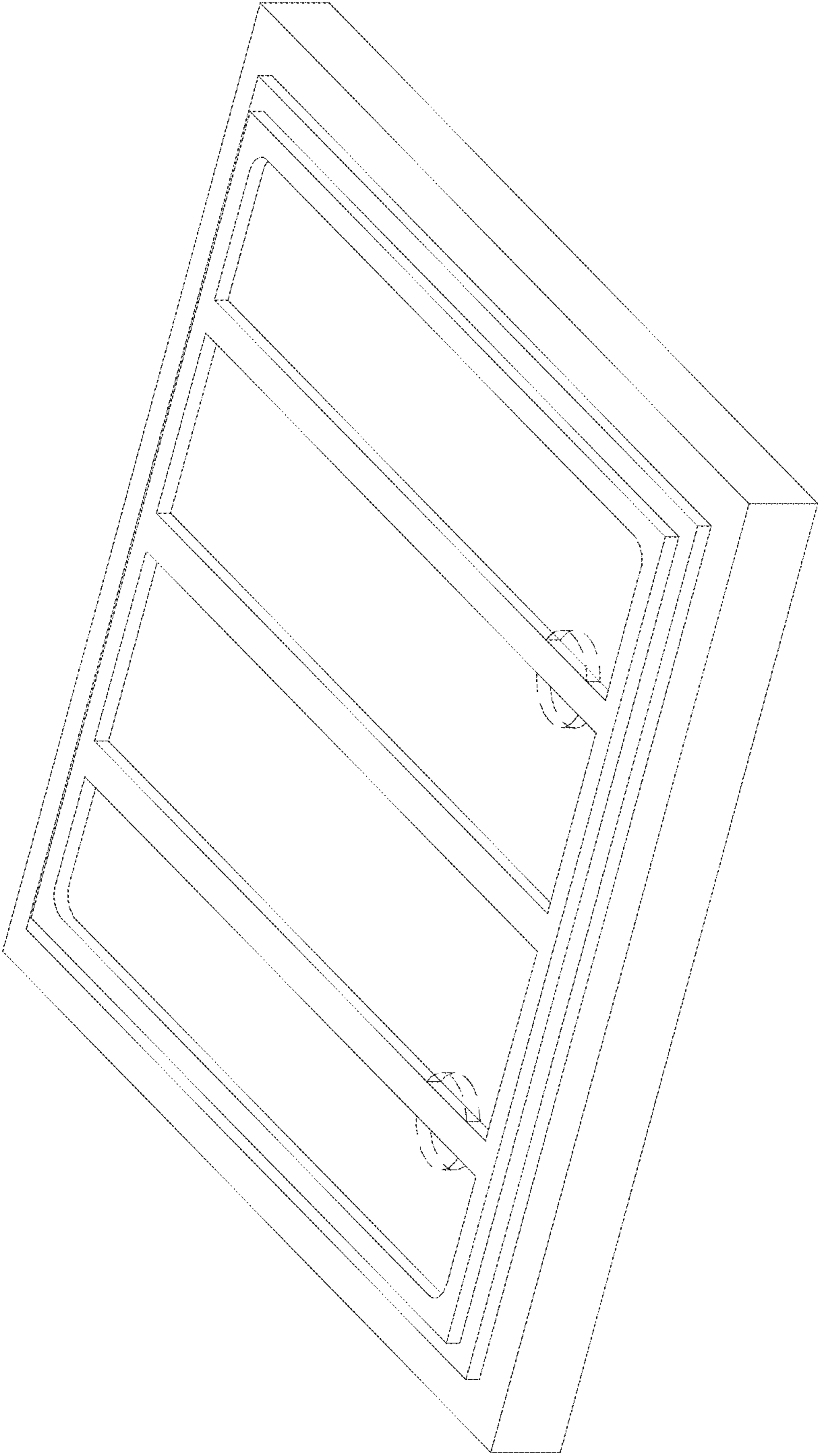


Fig. 1

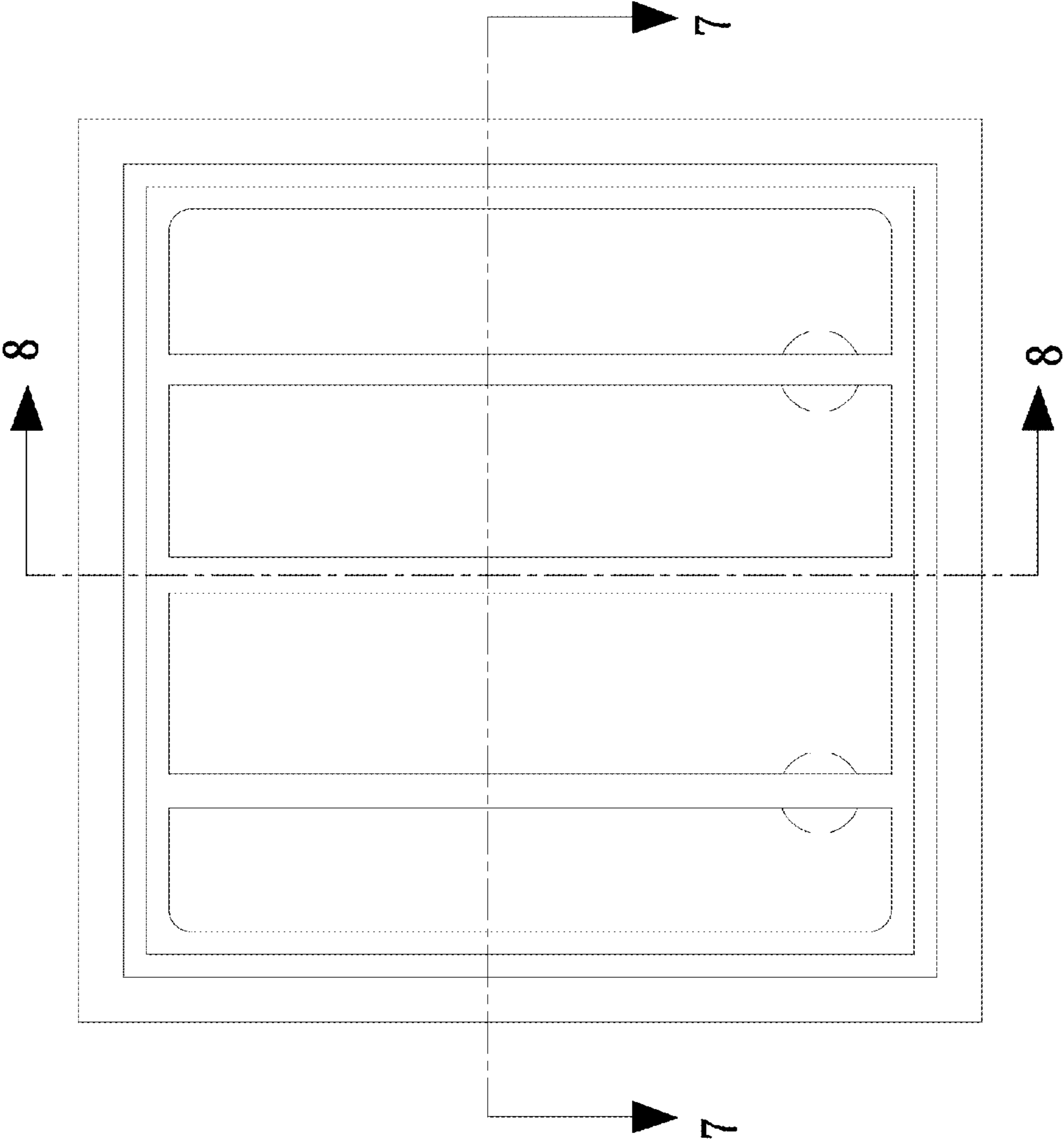


Fig. 2

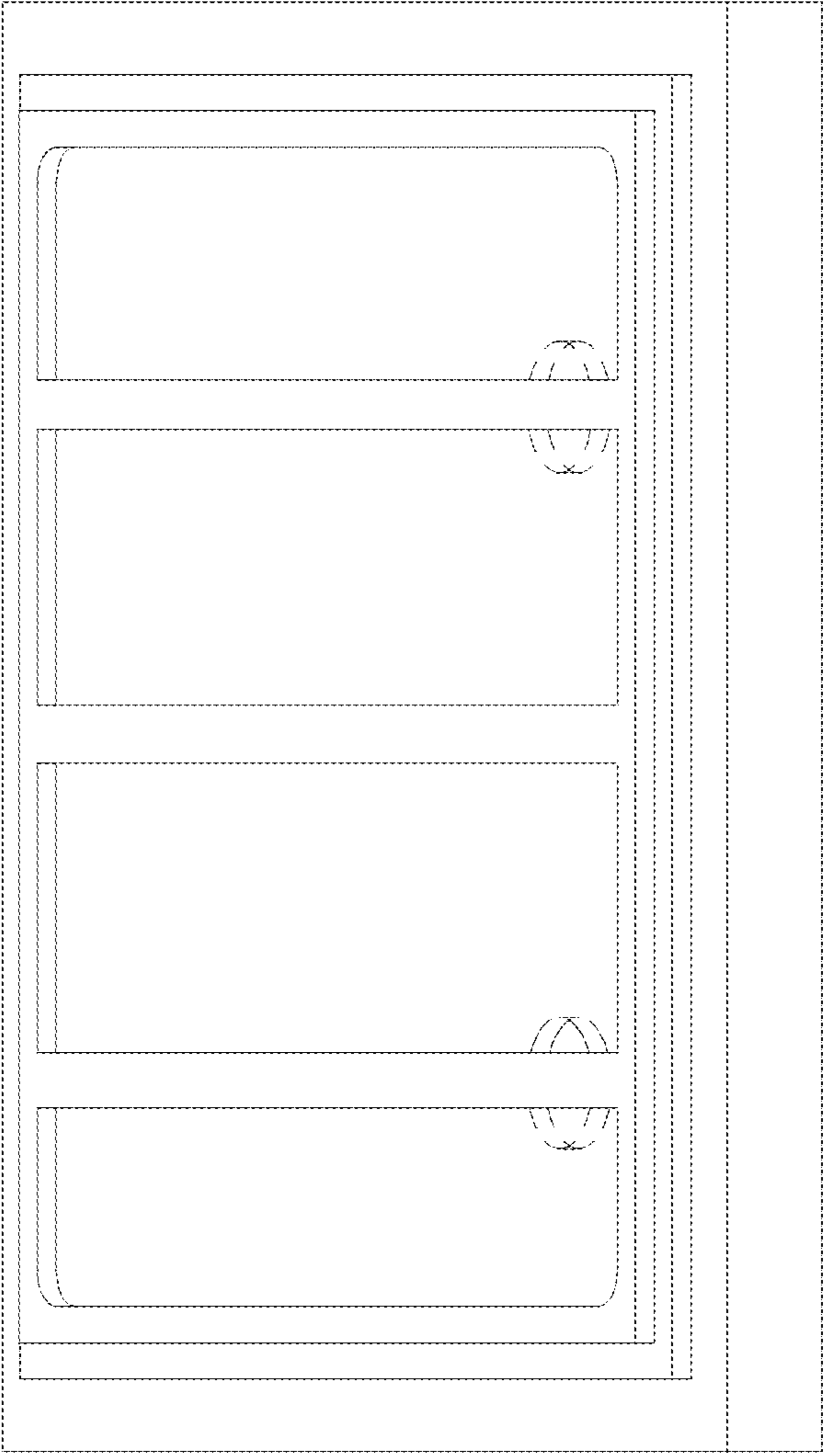


Fig. 3

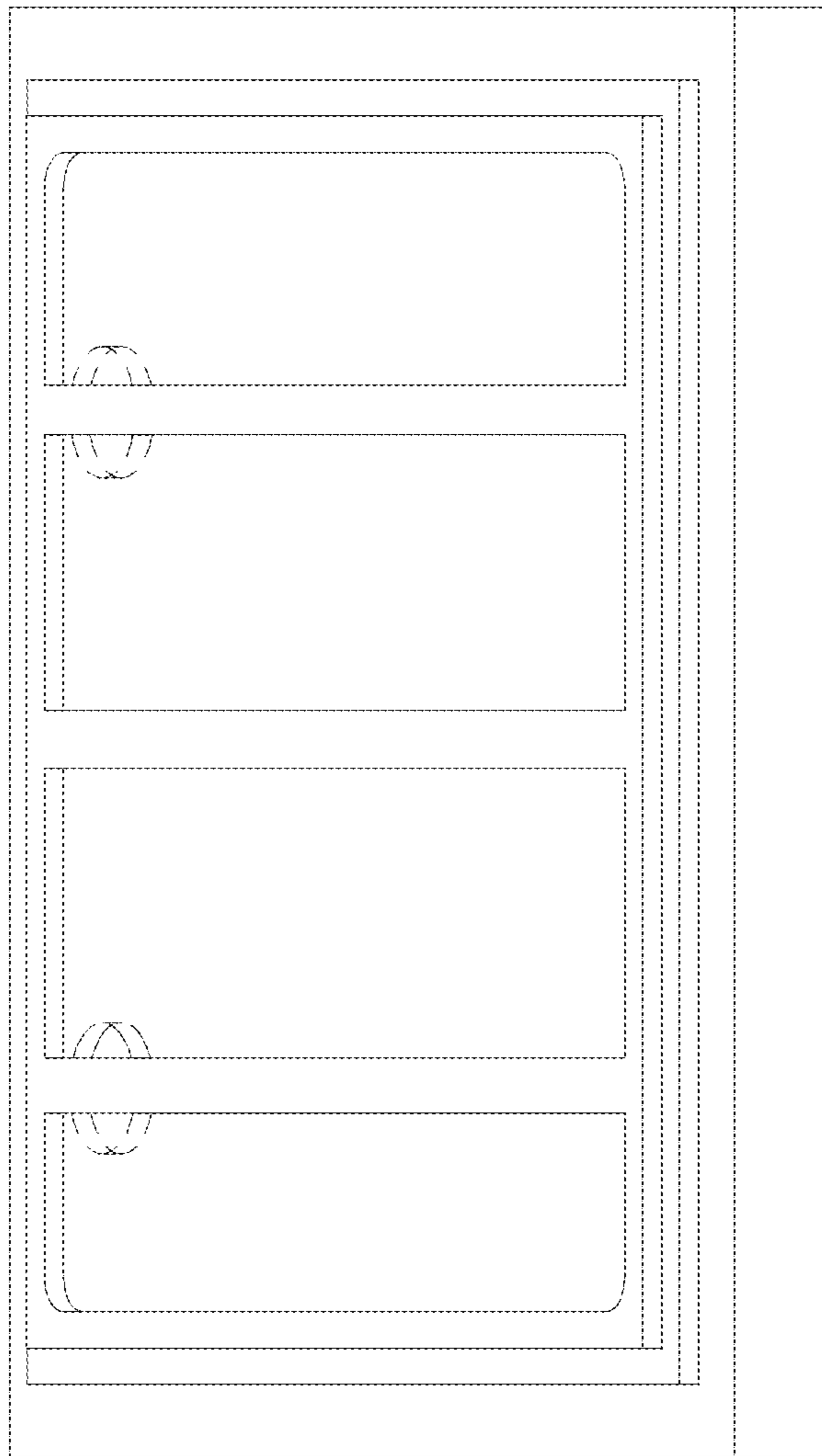


Fig. 4

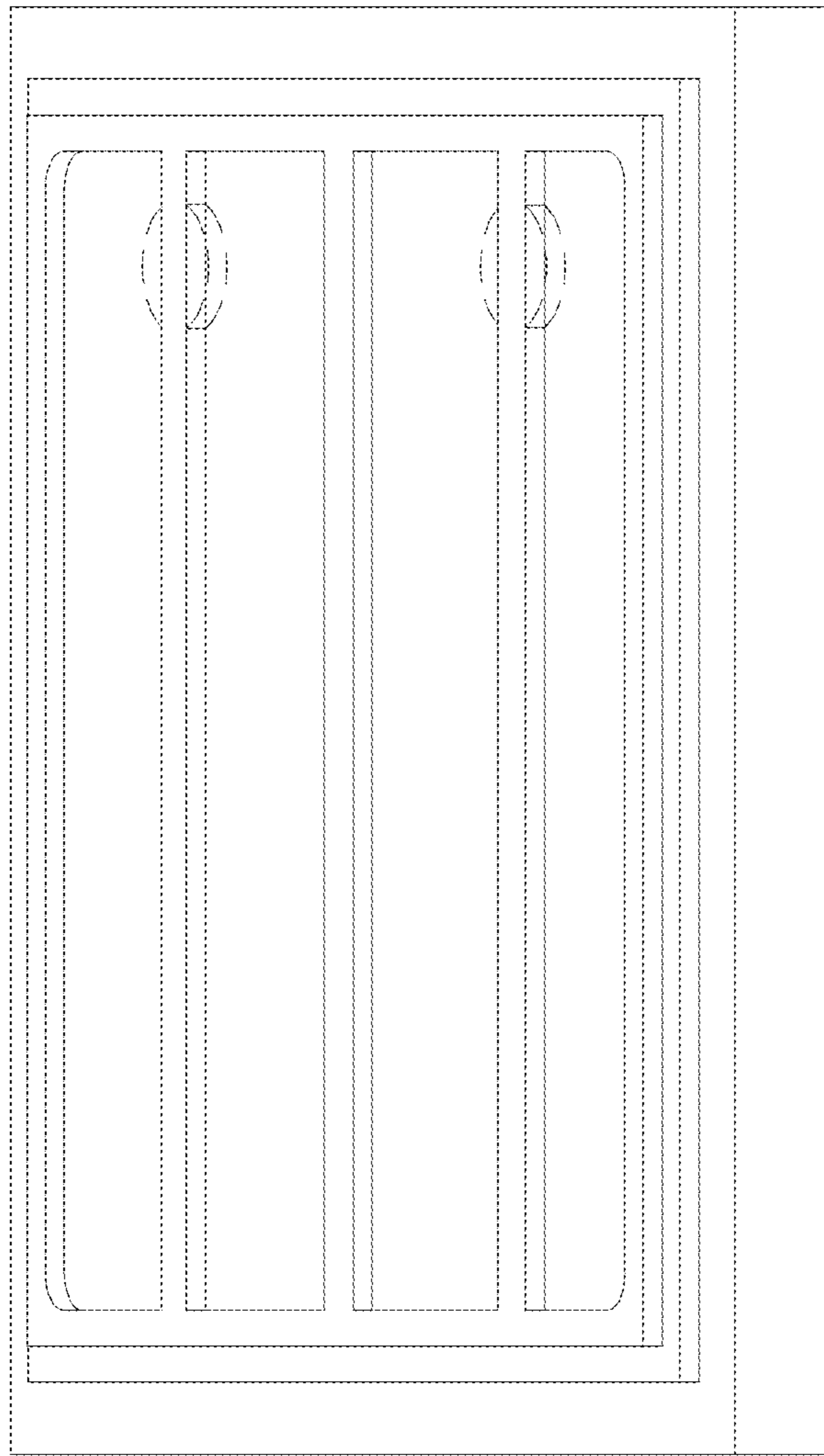


Fig. 5



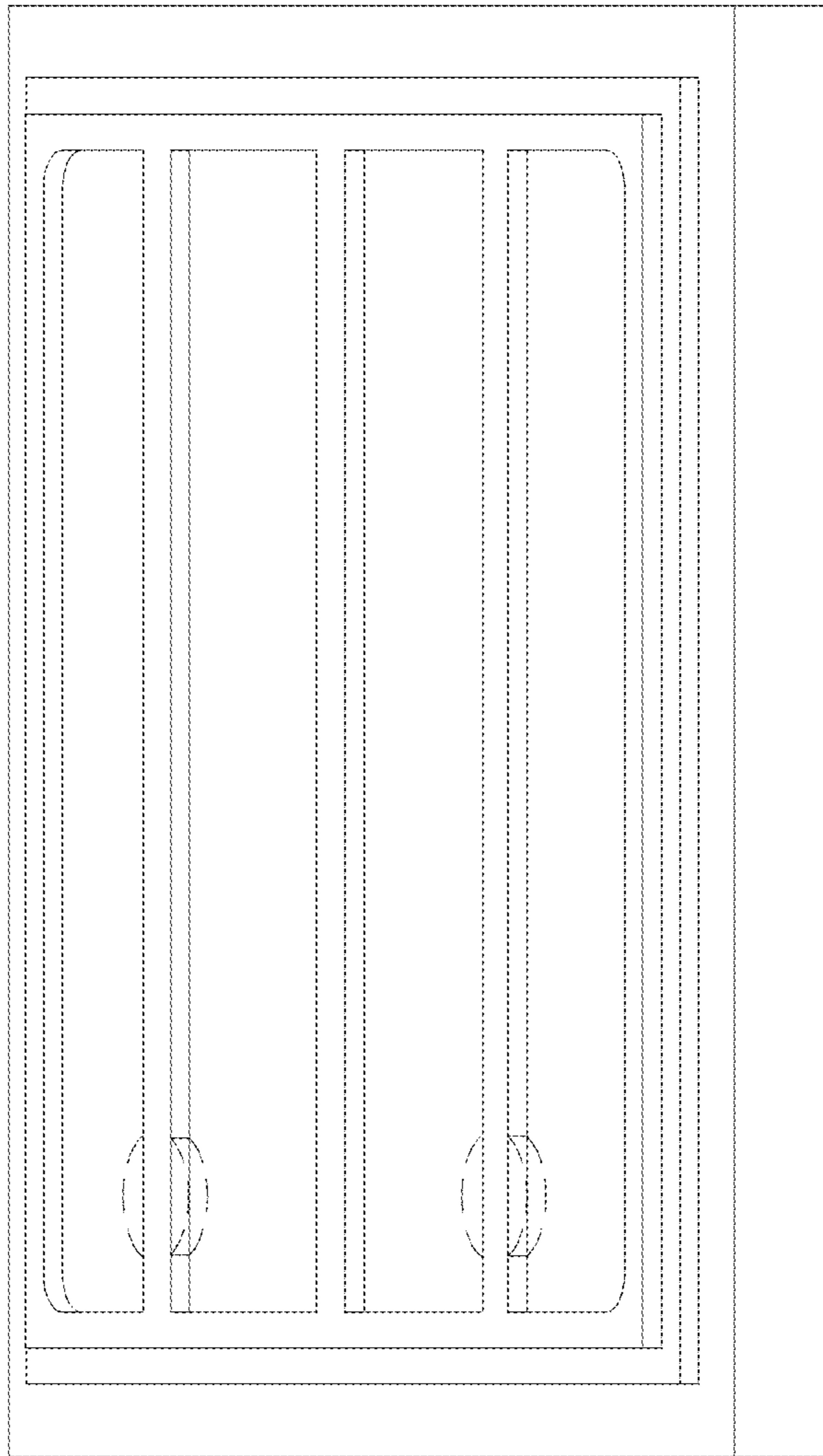


Fig. 6

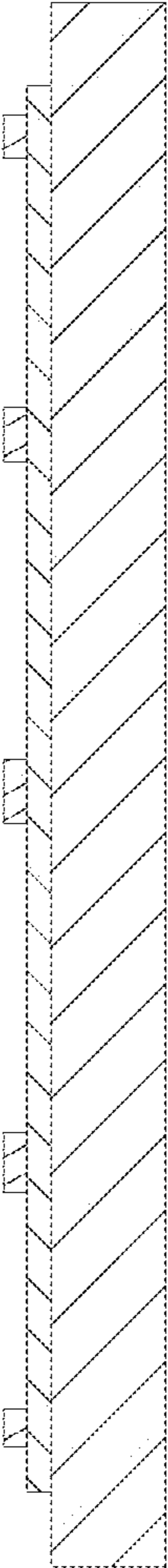


Fig. 7

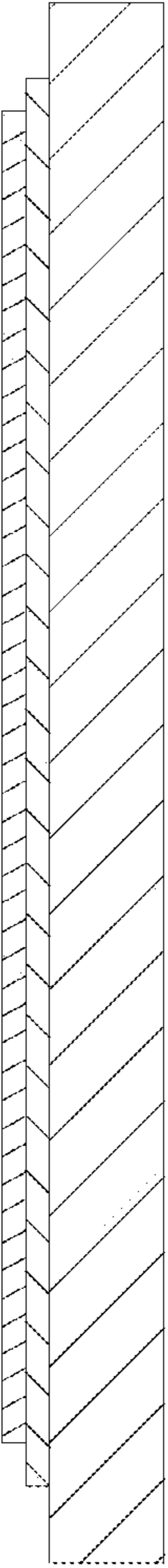


Fig. 8



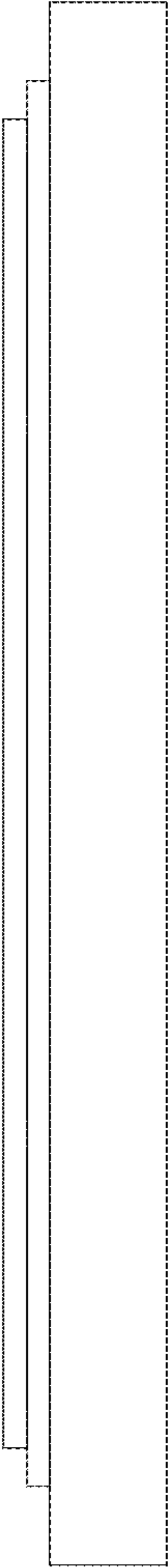


Fig. 9

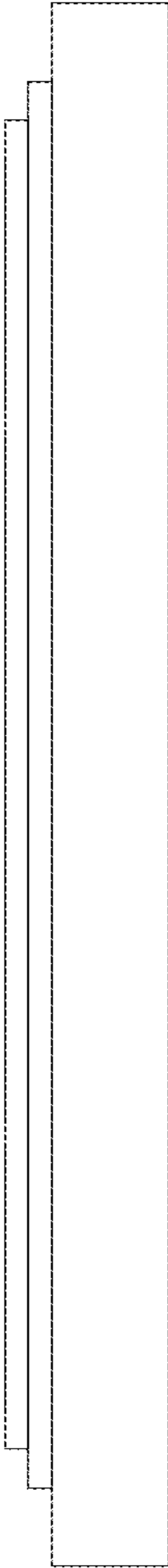


Fig. 10