



US00D693778S

(12) **United States Design Patent**  
**Sakai et al.**

(10) **Patent No.:** **US D693,778 S**

(45) **Date of Patent:** **\*\* Nov. 19, 2013**

(54) **REMOTE CONTROLLER FOR AIR  
CONDITIONER**

(71) Applicants: **Yuki Sakai**, Tokyo (JP); **Takayuki  
Nishiguchi**, Tokyo (JP)

(72) Inventors: **Yuki Sakai**, Tokyo (JP); **Takayuki  
Nishiguchi**, Tokyo (JP)

(73) Assignee: **Mitsubishi Electric Corporation**,  
Tokyo (JP)

(\*\*) Term: **14 Years**

(21) Appl. No.: **29/441,545**

(22) Filed: **Jan. 7, 2013**

(30) **Foreign Application Priority Data**

Jul. 12, 2012 (JP) ..... 2012-016594

(51) **LOC (9) Cl.** ..... **14-03**

(52) **U.S. Cl.**  
USPC ..... **D13/168**

(58) **Field of Classification Search**

USPC ..... D13/168; D10/49, 50; D14/218;  
236/1 C, 51; 315/158, 295; 340/4.3,  
340/4.42, 12.22, 12.23, 12.24, 12.29, 12.3,  
340/13.2, 13.21, 13.24; 341/176; 345/169;  
348/734; 455/352; 463/39; 700/17, 65,  
700/83, 278

See application file for complete search history.

(56) **References Cited**

U.S. PATENT DOCUMENTS

5,590,831	A *	1/1997	Manson et al.	.....	236/51
6,116,512	A *	9/2000	Dushane et al.	.....	236/51
D621,370	S *	8/2010	Chouji et al.	.....	D13/168
D648,285	S *	11/2011	Kashimoto	.....	D13/168
D653,221	S *	1/2012	Kashimoto	.....	D13/168
D657,754	S *	4/2012	Kashimoto	.....	D13/168
8,167,216	B2 *	5/2012	Schultz et al.	.....	236/51
D667,797	S *	9/2012	Saitou	.....	D13/168
D680,973	S *	4/2013	Nakai	.....	D13/168

\* cited by examiner

*Primary Examiner* — Selina Sikder

(74) *Attorney, Agent, or Firm* — Sughrue Mion, PLLC

(57) **CLAIM**

The ornamental design for a remote controller for air conditioner, as shown and described.

**DESCRIPTION**

FIG. 1 is a perspective view of front, right and top side of a remote controller for air conditioner showing our new design;

FIG. 2 is a front view thereof;

FIG. 3 is a rear view thereof;

FIG. 4 is a right side view thereof, a left side view is a mirror image thereof;

FIG. 5 is a top view thereof;

FIG. 6 is a bottom view thereof; and,

FIG. 7 is a reference cross sectional end view of cutting part at 7-7 in FIG. 5 omitting the interior mechanism.

The portions of the article in broken lines are shown for illustrative purposes only and form no part of the claimed design.

**1 Claim, 6 Drawing Sheets**

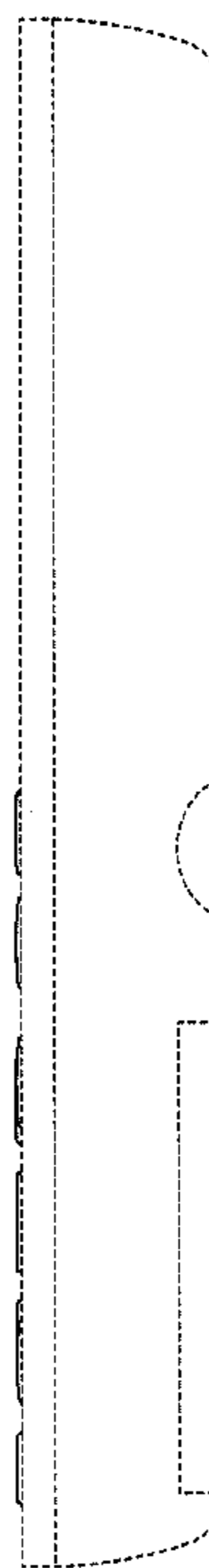
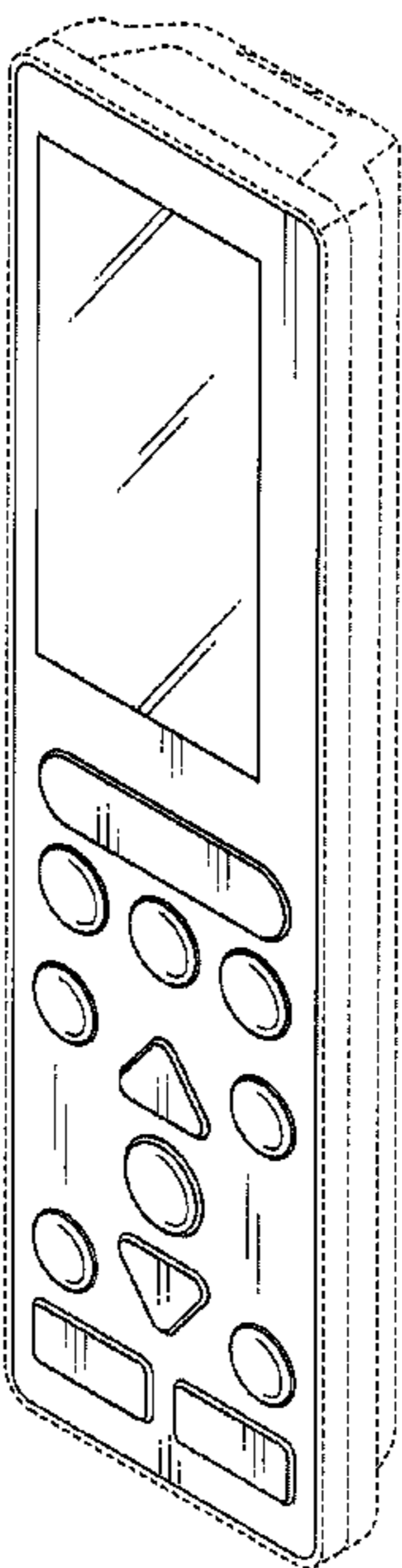


Fig. 1

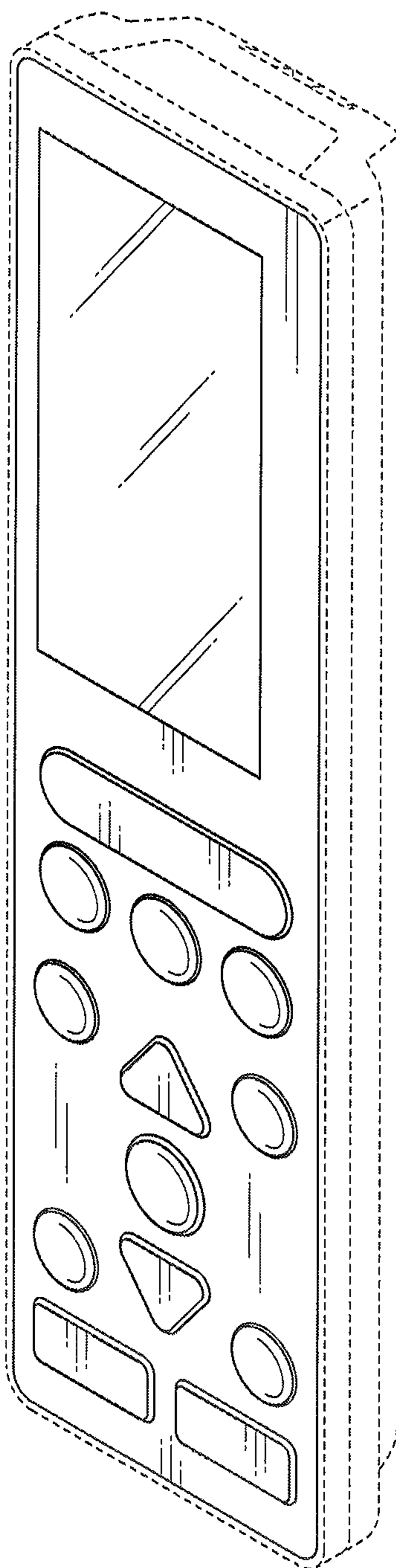


Fig. 2

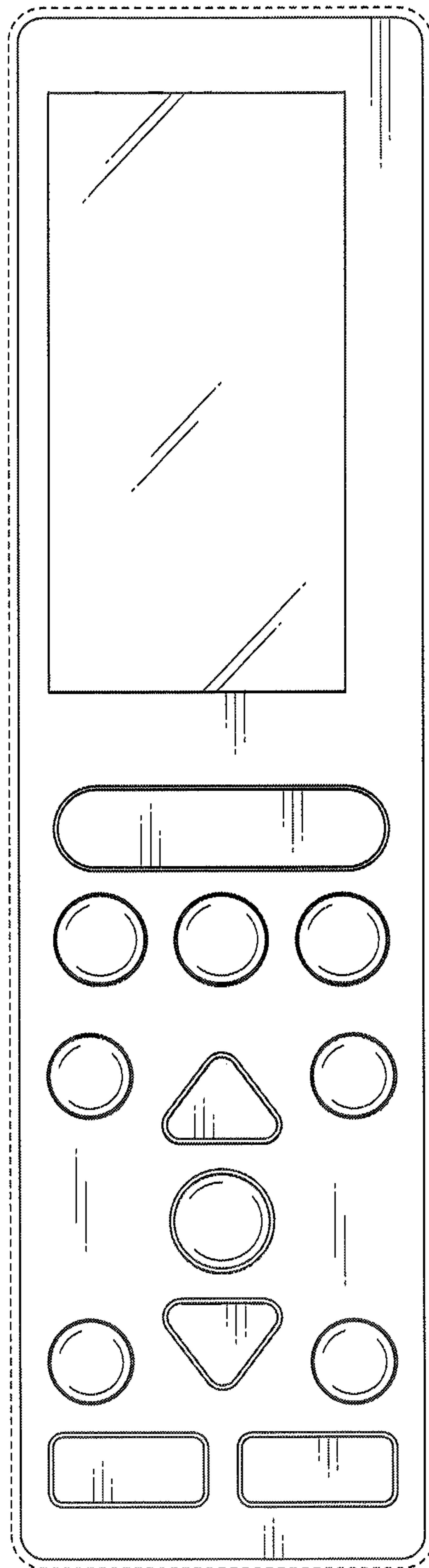


Fig. 3

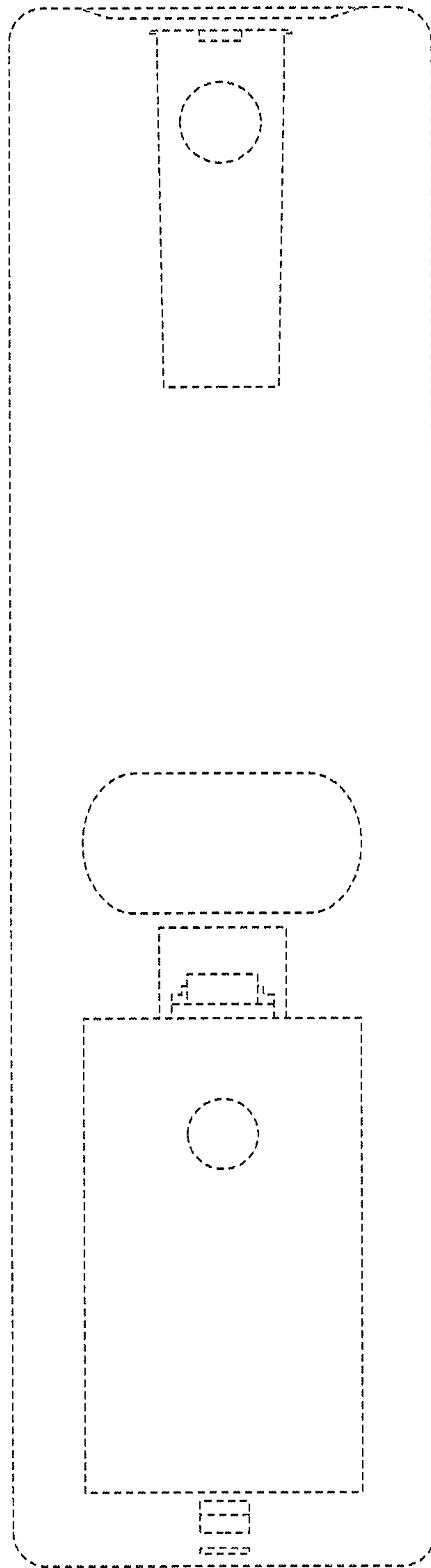


Fig. 4

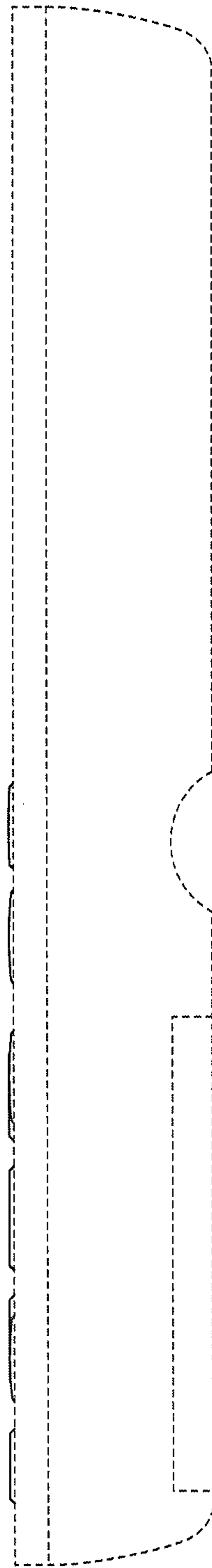


Fig. 5

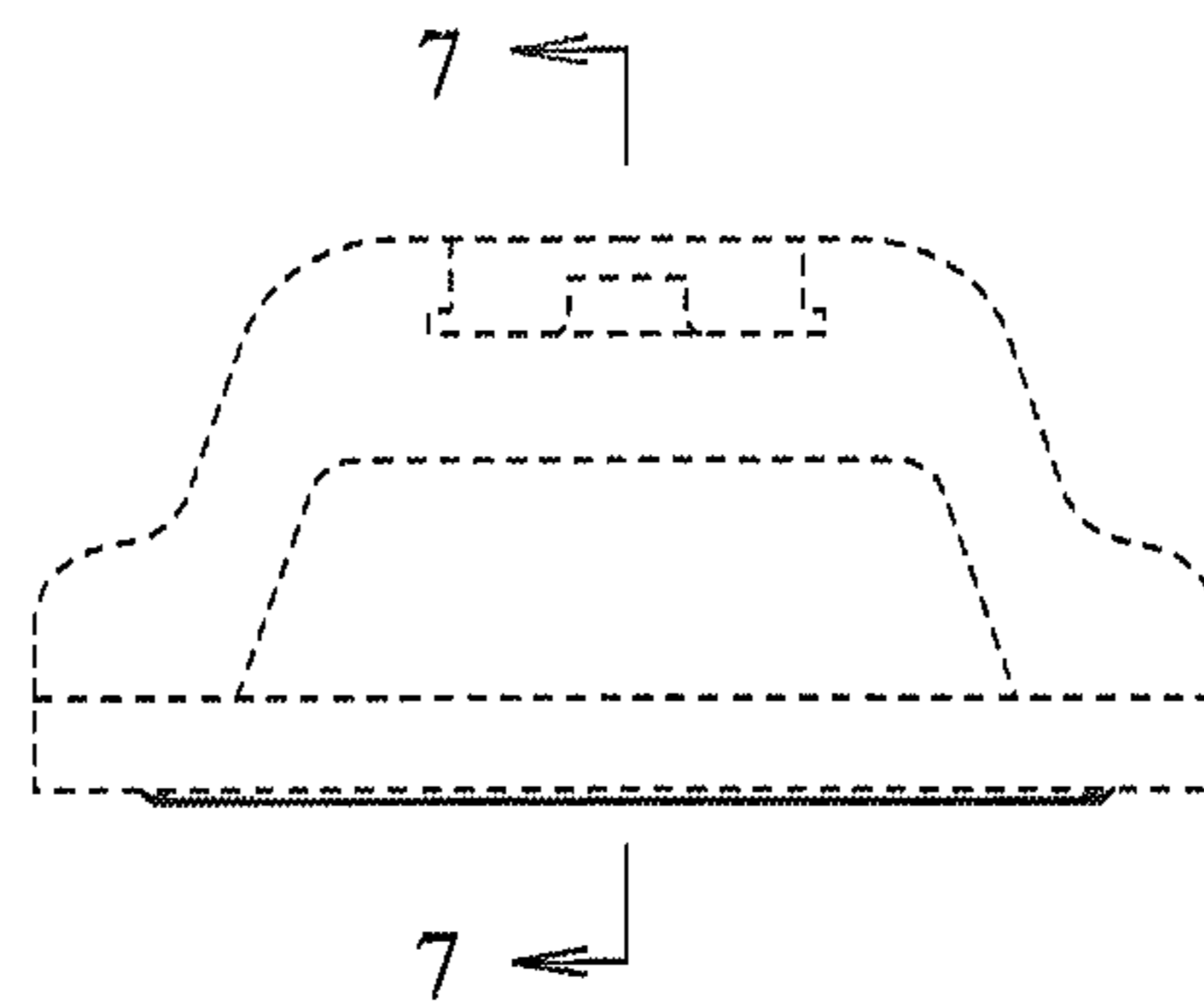


Fig. 6

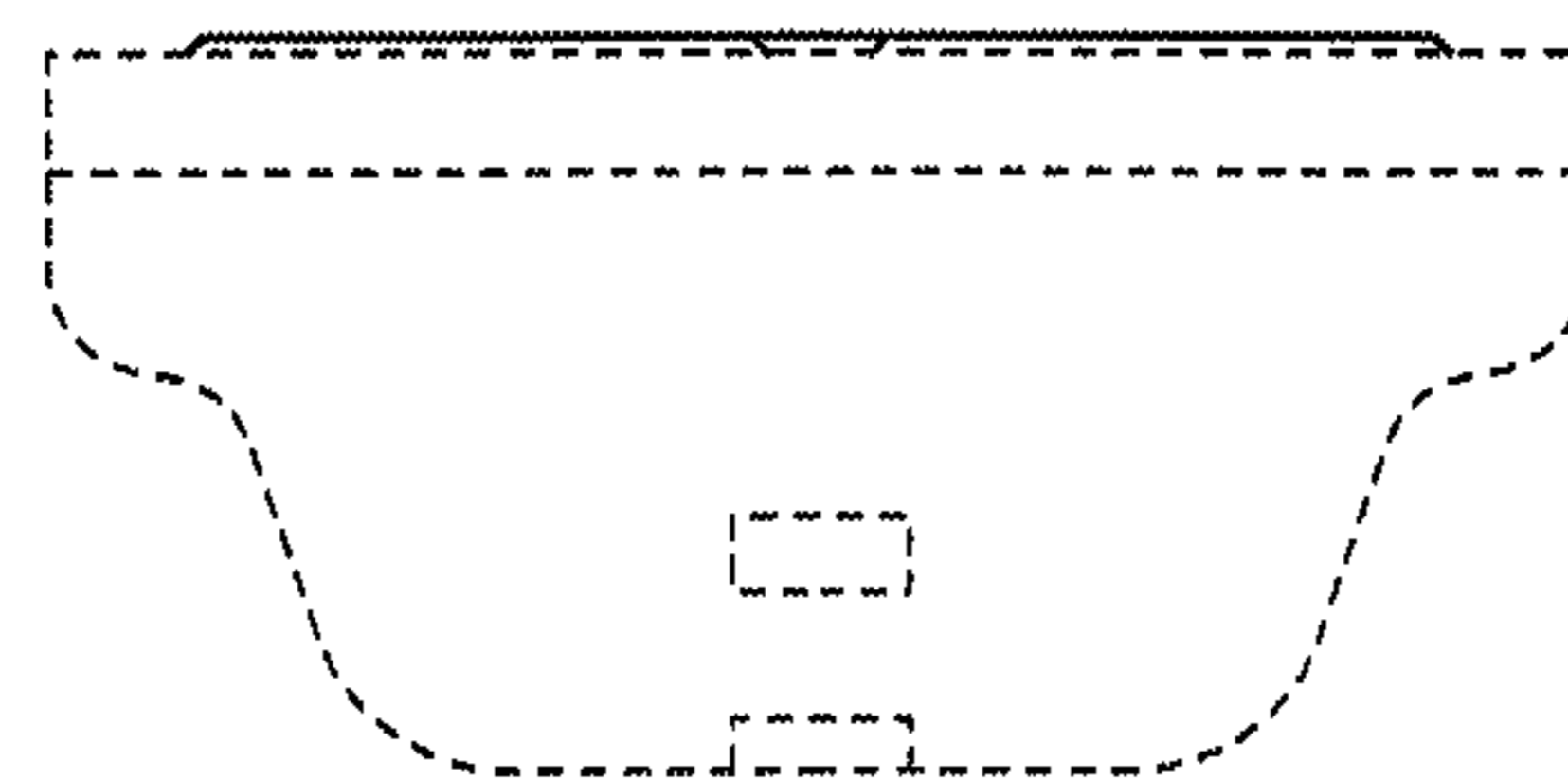


Fig. 7

