



US00D693776S

(12) **United States Design Patent**  
**Skowranek et al.**

(10) **Patent No.:** **US D693,776 S**

(45) **Date of Patent:** **\*\* Nov. 19, 2013**

(54) **ELECTRONIC HOUSING**

(75) Inventors: **Antje Skowranek**, Hon-Bad Meinberg (DE); **Volker Menzel**, Blomberg (DE); **Rehna Joshi**, Springe (DE); **Anke Beck**, Horn-Bad Meinberg (DE)

(73) Assignee: **Phoenix Contact GmbH & Co. KG**, Blomberg (DE)

(\*\*) Term: **14 Years**

(21) Appl. No.: **29/429,756**

(22) Filed: **Aug. 16, 2012**

(30) **Foreign Application Priority Data**

Feb. 17, 2012 (EM) ..... 001994237

(51) **LOC (9) Cl.** ..... **13-03**

(52) **U.S. Cl.**  
USPC ..... **D13/162**

(58) **Field of Classification Search**

USPC ..... D13/162, 162.1, 164, 184; D14/439;  
361/600, 601, 679.01, 679.02, 679.33,  
361/679.46, 690, 696, 709, 715, 728, 730,  
361/735, 759, 796; 714/E11.209

See application file for complete search history.

(56) **References Cited**

**U.S. PATENT DOCUMENTS**

D329,844	S *	9/1992	Ishida	.....	D13/162
D527,349	S *	8/2006	Lee	.....	D13/162.1
7,336,497	B2 *	2/2008	Eusterholz et al.	.....	361/725
D566,049	S *	4/2008	Radau et al.	.....	D13/162
D588,552	S *	3/2009	Radau et al.	.....	D13/162
D590,402	S *	4/2009	Lindner et al.	.....	D14/439
7,606,039	B2 *	10/2009	Trinh	.....	361/732
D619,102	S *	7/2010	Hanses	.....	D13/160
2001/0039649	A1 *	11/2001	Boggs et al.	.....	717/4
2004/0190232	A1 *	9/2004	Chang et al.	.....	361/679
2012/0057307	A1 *	3/2012	Kang et al.	.....	361/728

\* cited by examiner

*Primary Examiner* — Selina Sikder

(74) *Attorney, Agent, or Firm* — Leydig, Voit & Mayer, Ltd.

(57) **CLAIM**

The ornamental design for an electronic housing, as shown and described.

**DESCRIPTION**

FIG. 1 is a front, left, top-side perspective view of a first embodiment of the electronic housing showing our new design;

FIG. 2 is a front elevational view thereof;

FIG. 3 is a rear elevational view thereof;

FIG. 4 is a left side elevational view thereof;

FIG. 5 is a right side elevational view thereof;

FIG. 6 is a top plan view thereof;

FIG. 7 is a bottom plan view thereof;

FIG. 8 is a front, left, top-side perspective view of a second embodiment of the electronic housing;

FIG. 9 is a front elevational view thereof;

FIG. 10 is a rear elevational view thereof;

FIG. 11 is a left side elevational view thereof;

FIG. 12 is a right side elevational view thereof;

FIG. 13 is a top plan view thereof;

FIG. 14 is a bottom plan view thereof;

FIG. 15 is a front, left, top-side perspective view of a third embodiment of the electronic housing;

FIG. 16 is a front elevational view thereof;

FIG. 17 is a rear elevational view thereof;

FIG. 18 is a left side elevational view thereof;

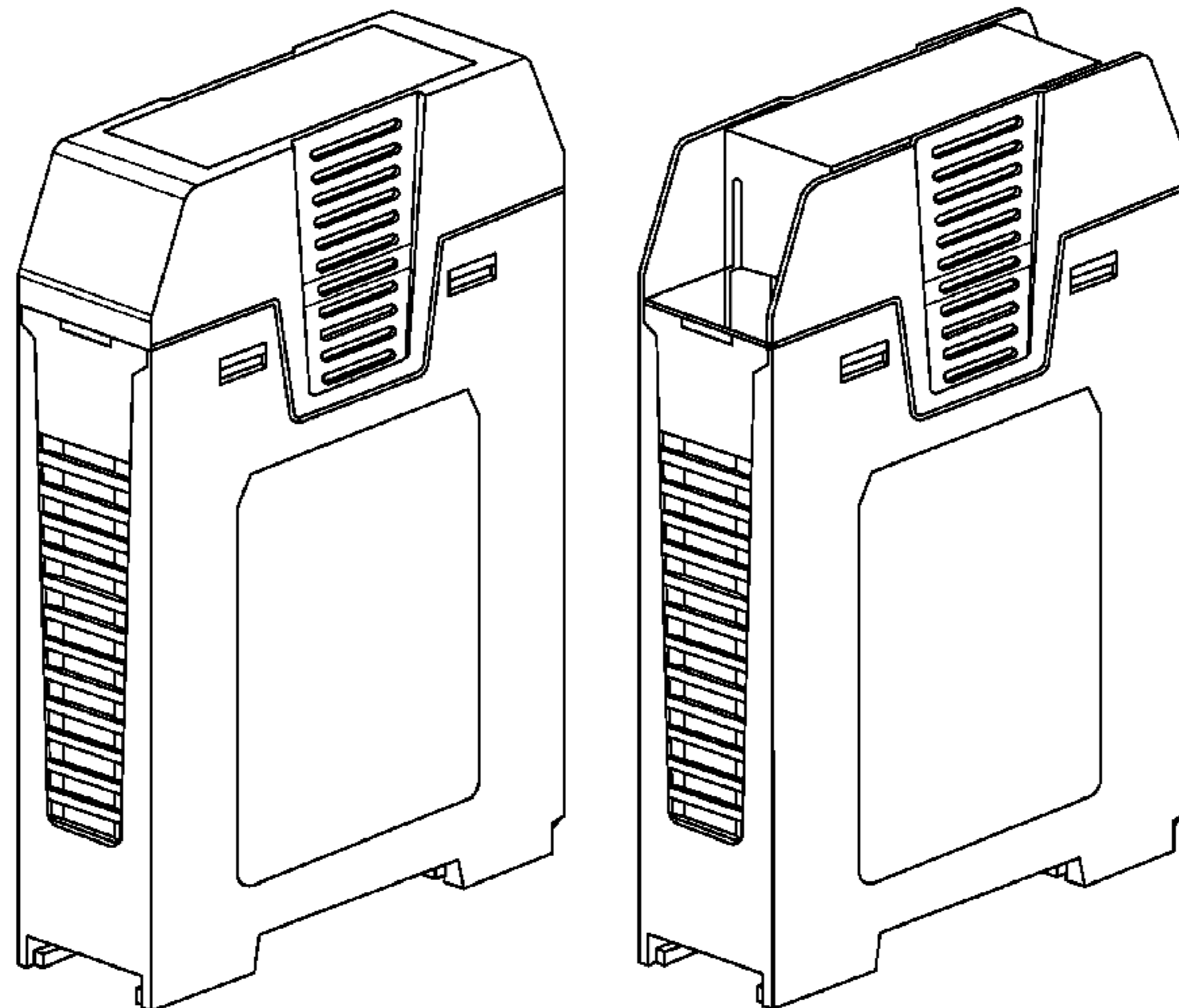
FIG. 19 is a right side elevational view thereof;

FIG. 20 is a top plan view thereof; and,

FIG. 21 is a bottom plan view thereof.

The broken line showing of the electronic housing is for illustrative purposes only and forms no part of the claimed design.

**1 Claim, 15 Drawing Sheets**



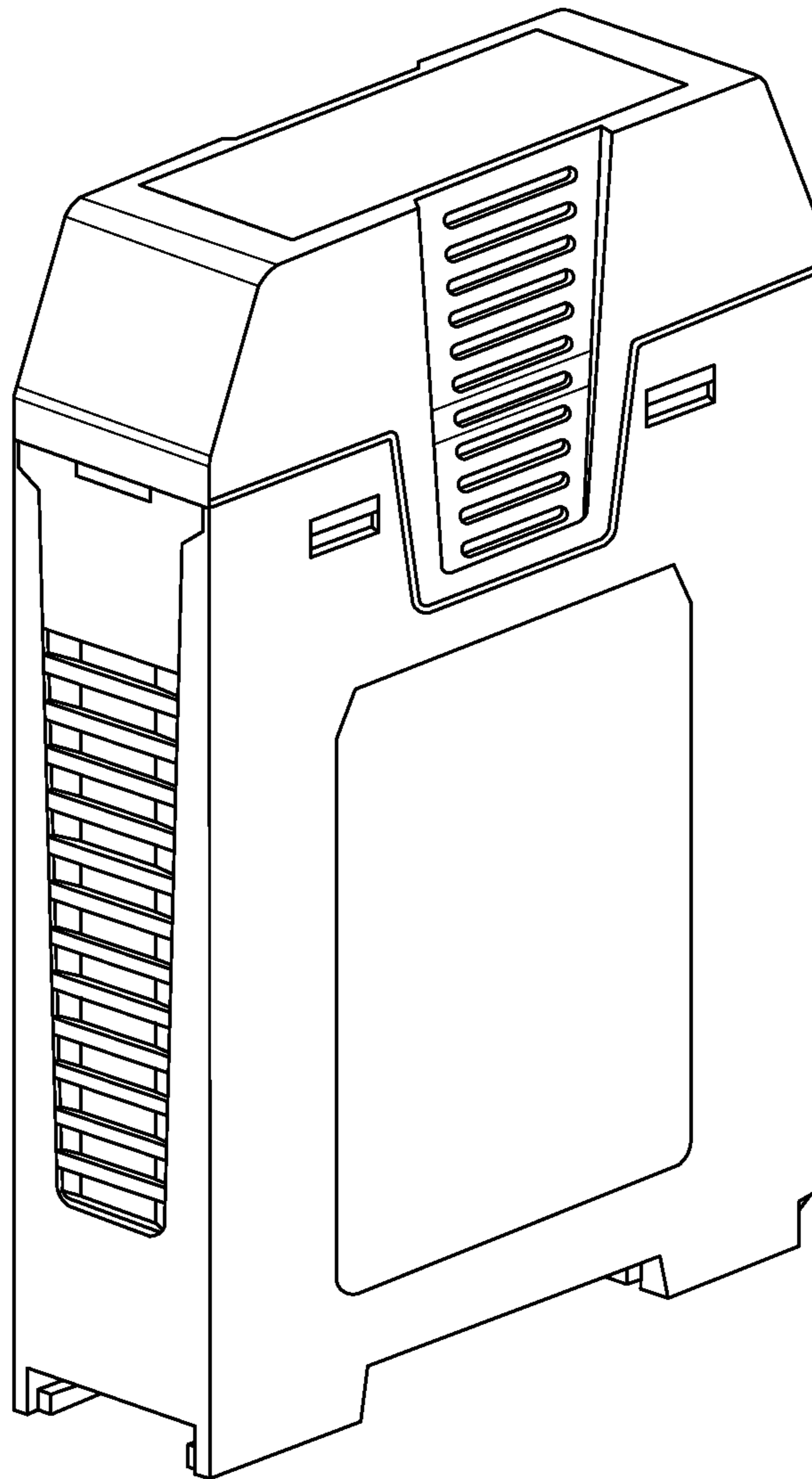


FIG. 1

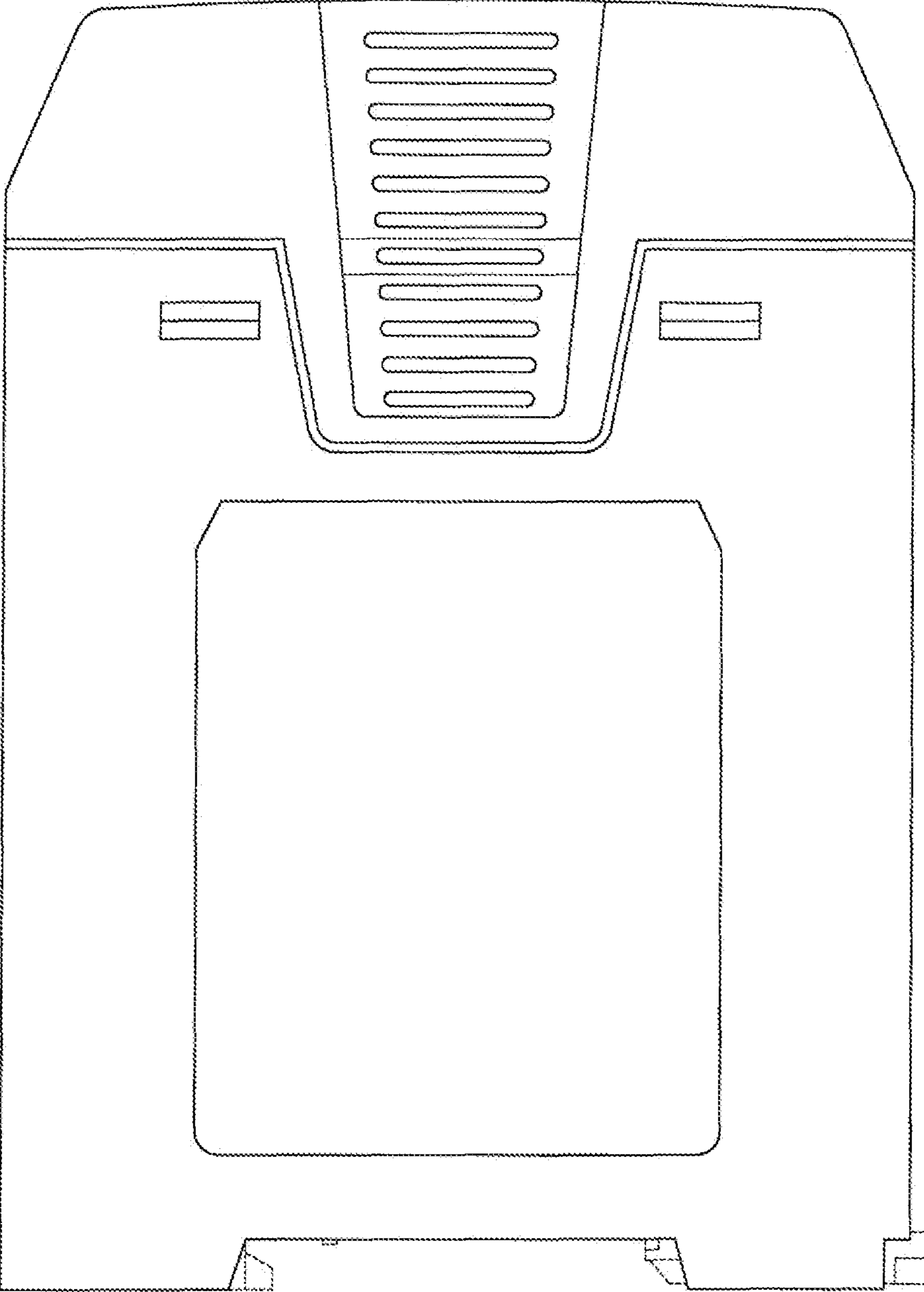


FIG. 2

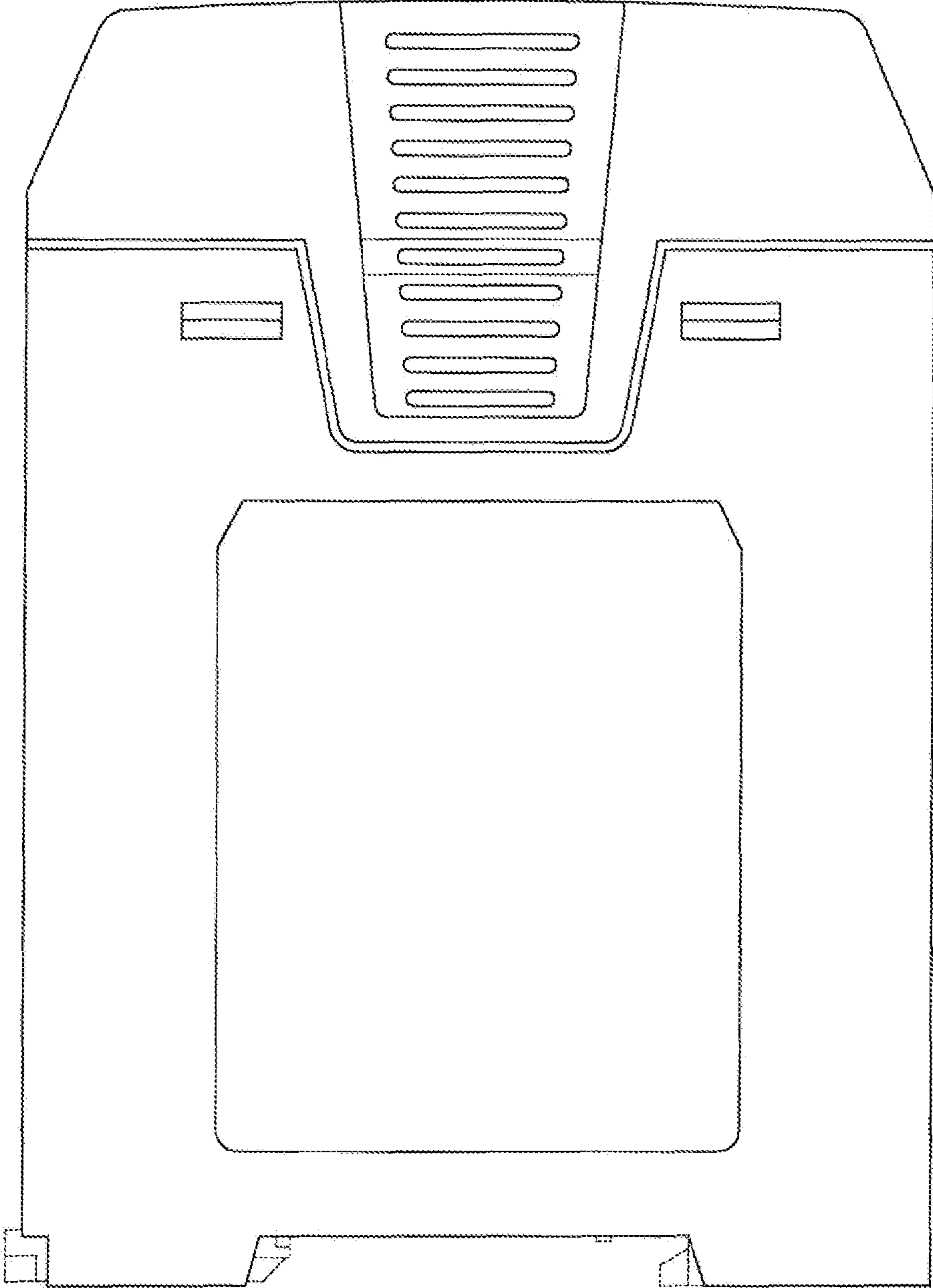


FIG. 3

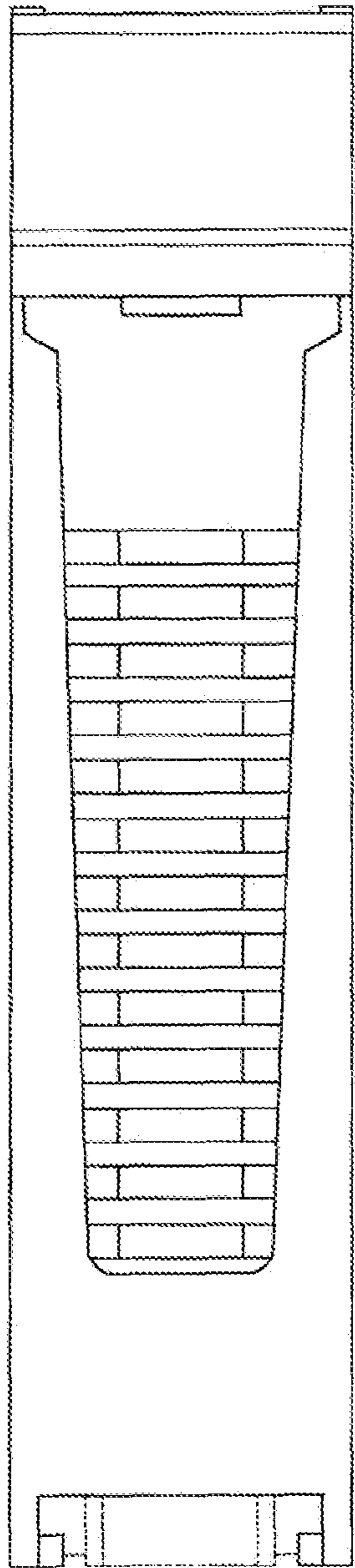


FIG. 4

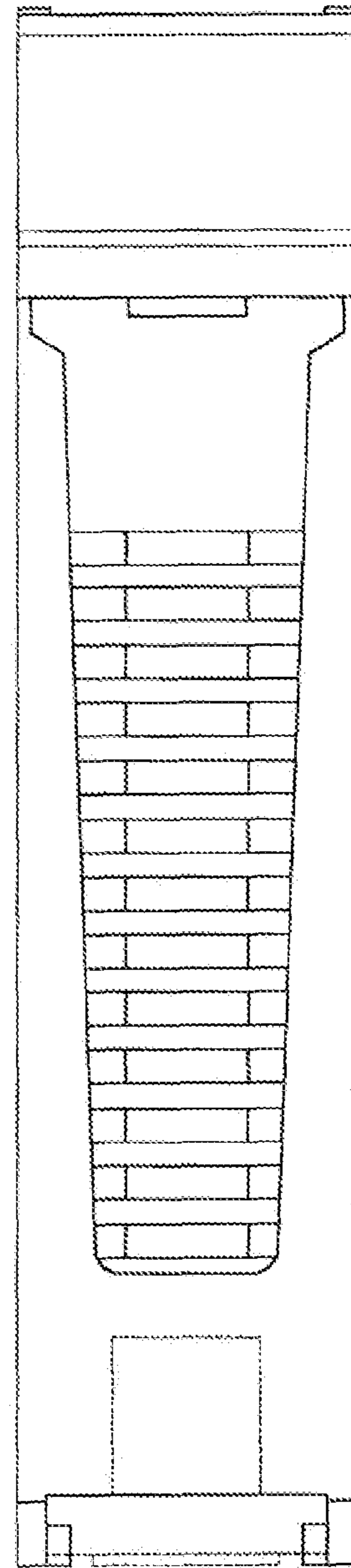


FIG. 5

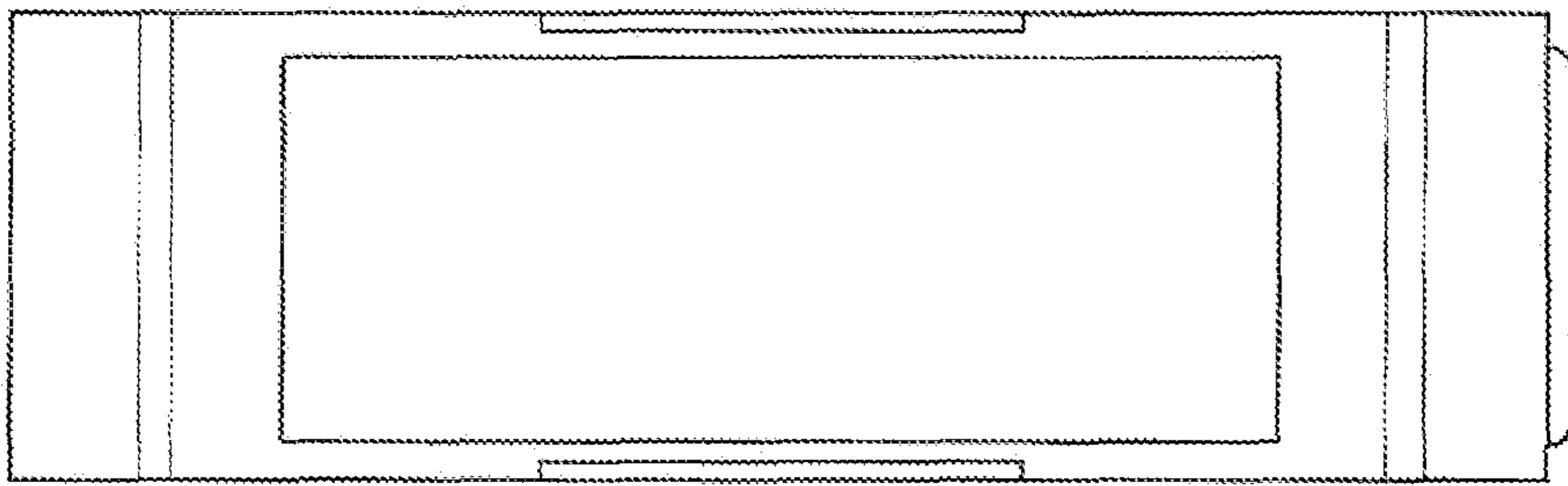


FIG. 6

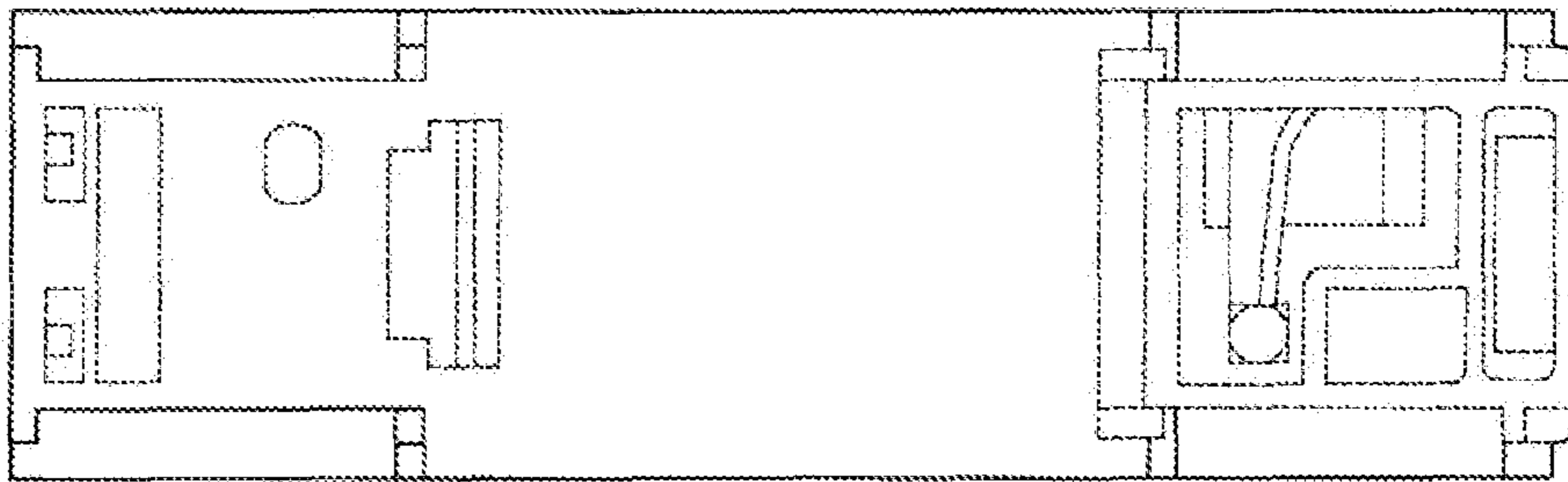


FIG. 7

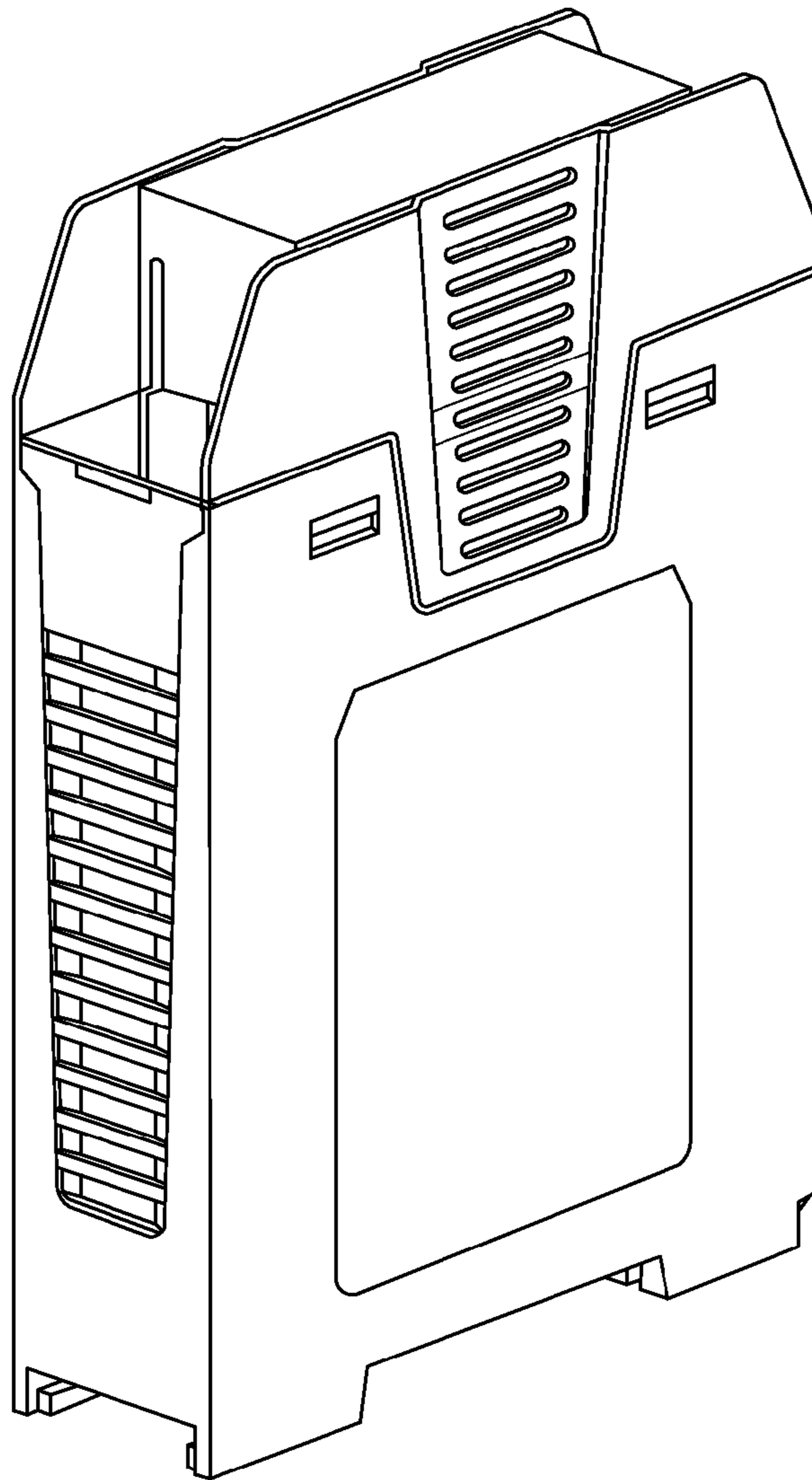


FIG. 8

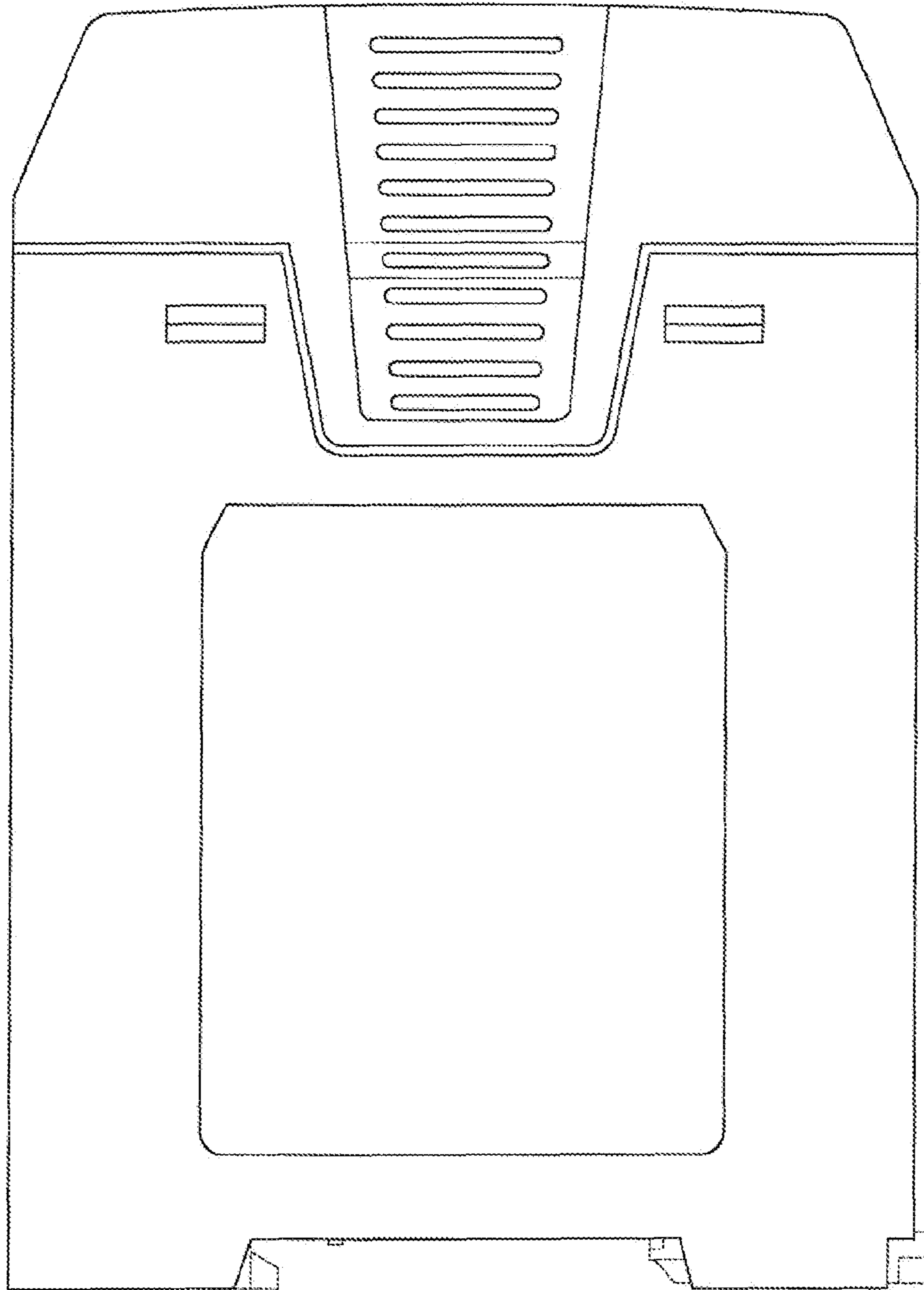


FIG. 9



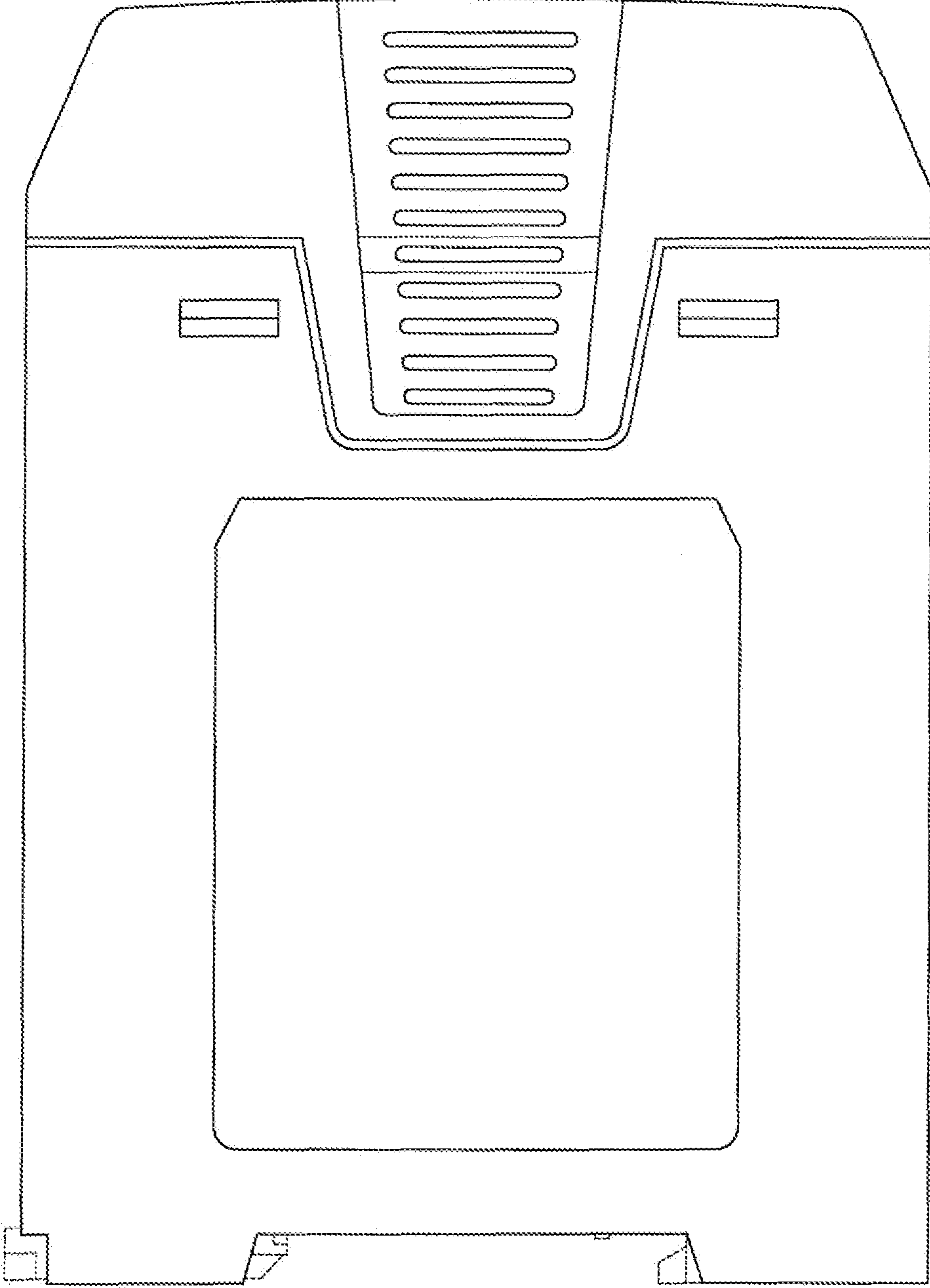


FIG. 10

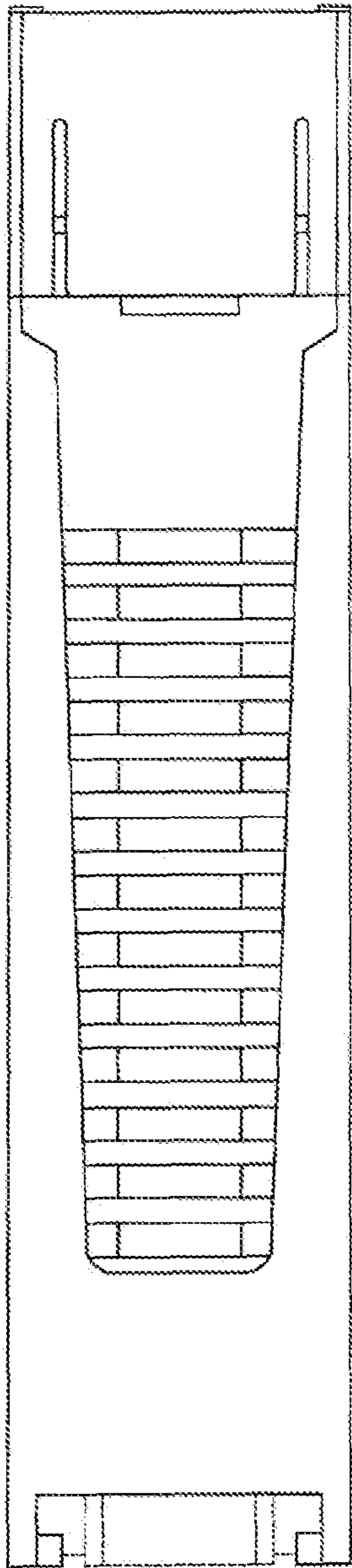


FIG. 11

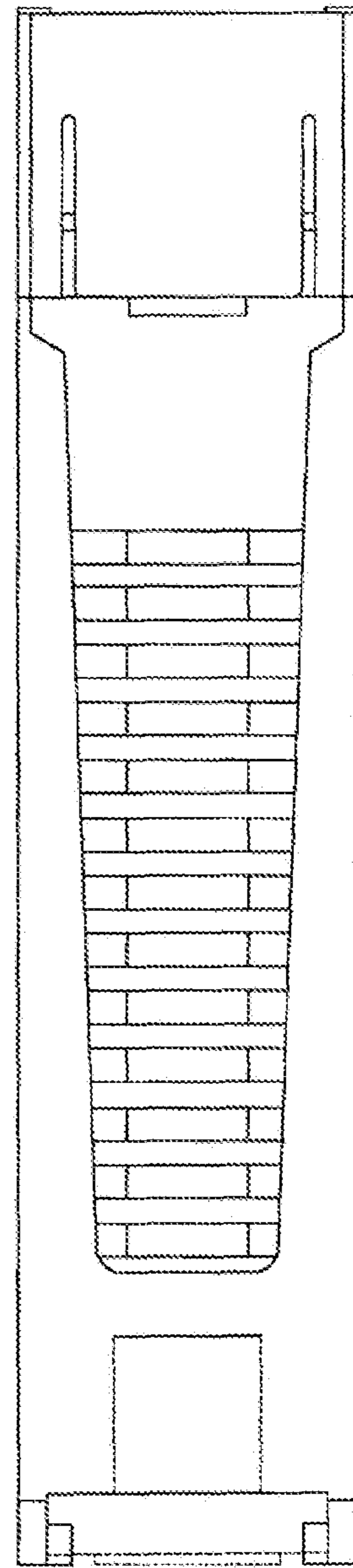


FIG. 12

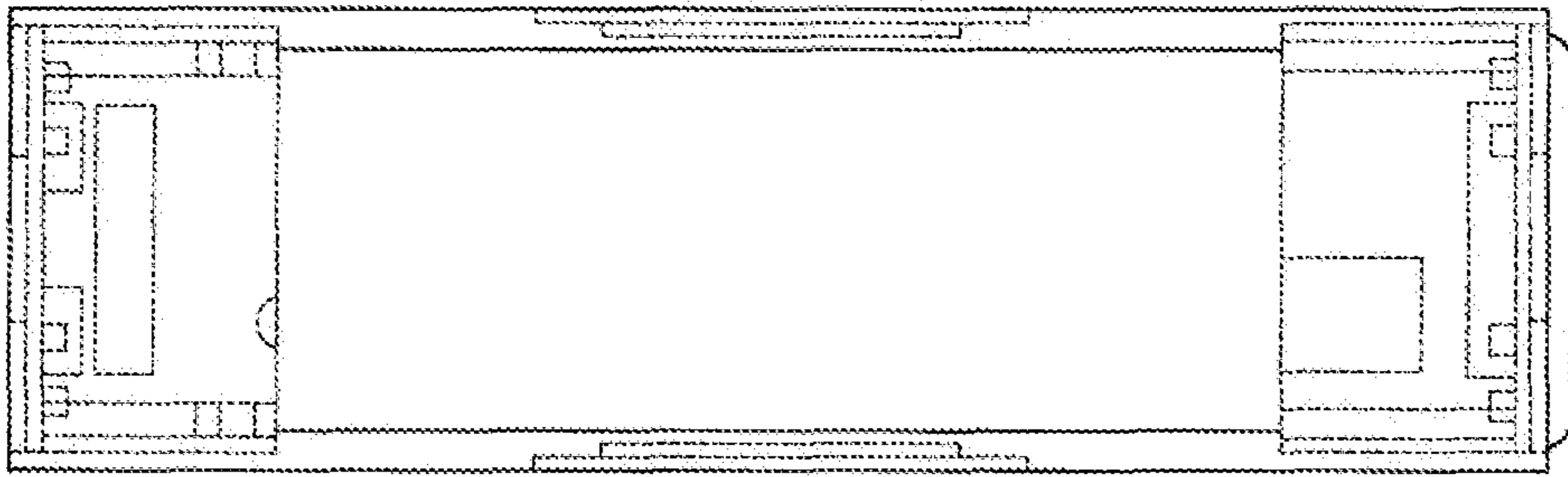


FIG. 13

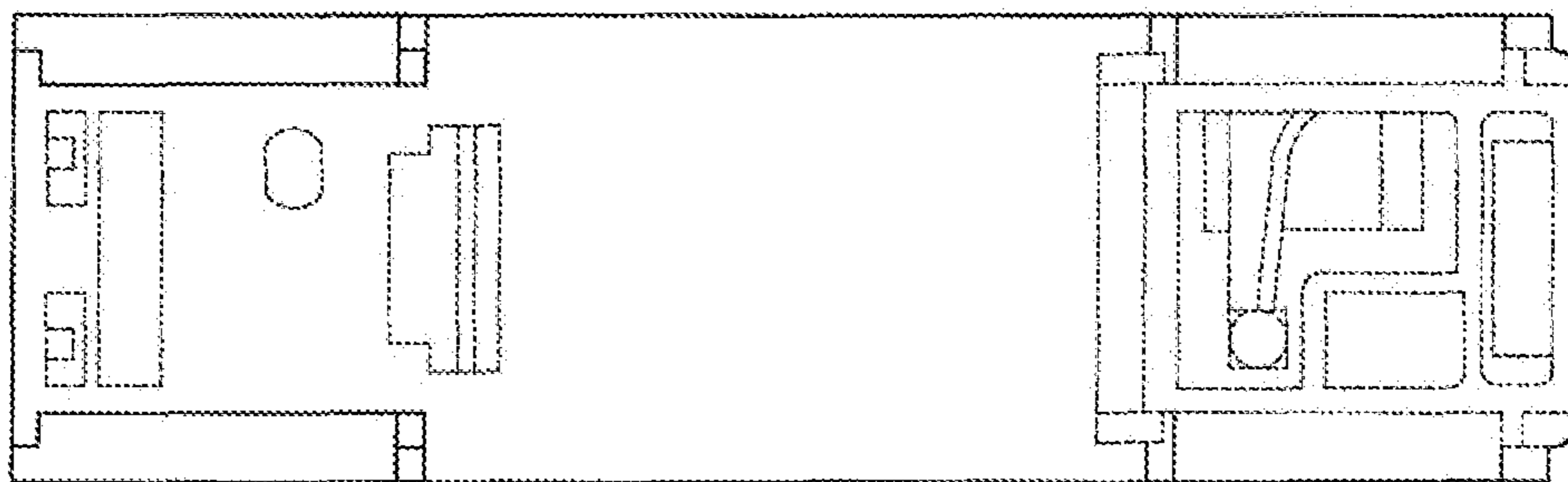


FIG. 14

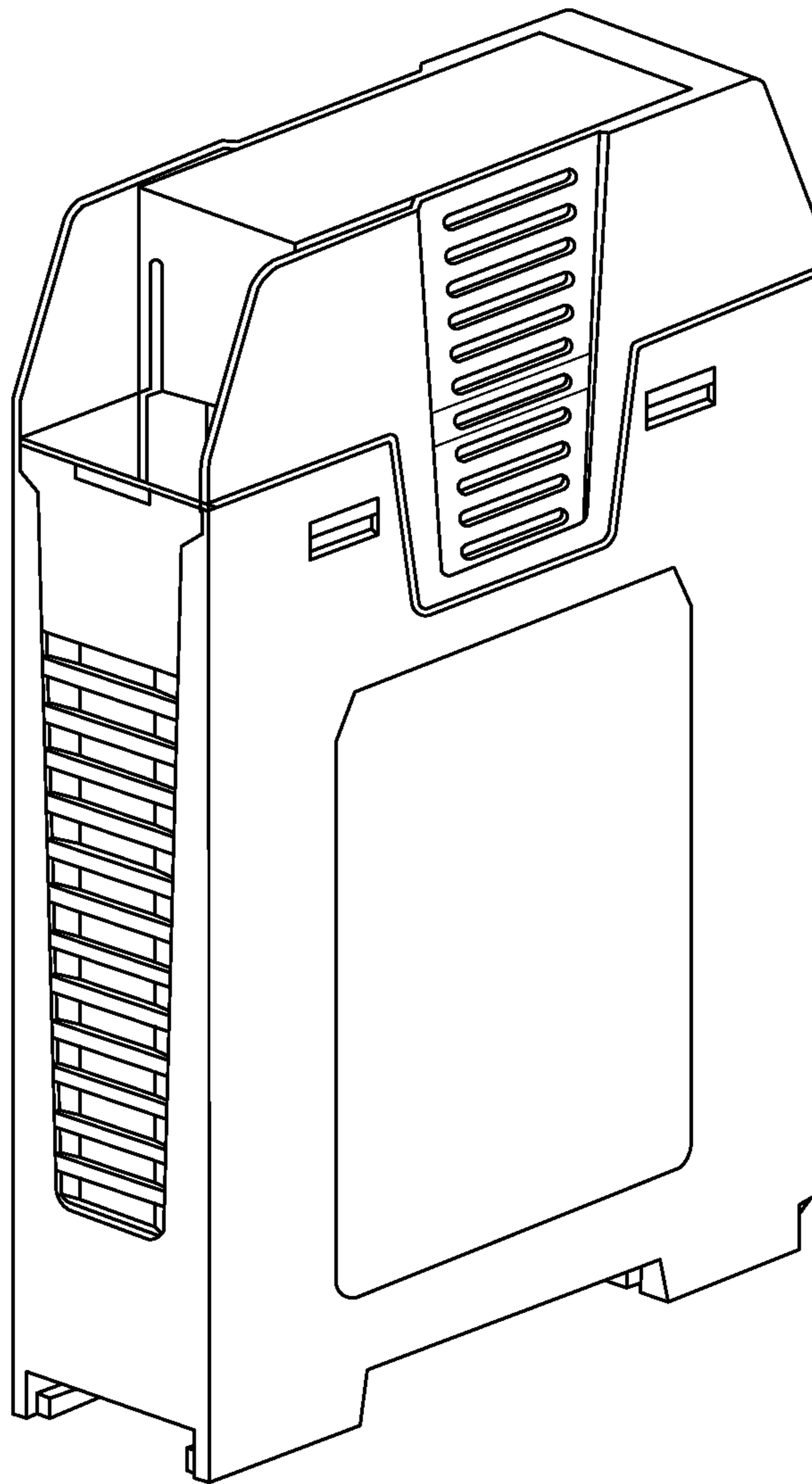


FIG. 15

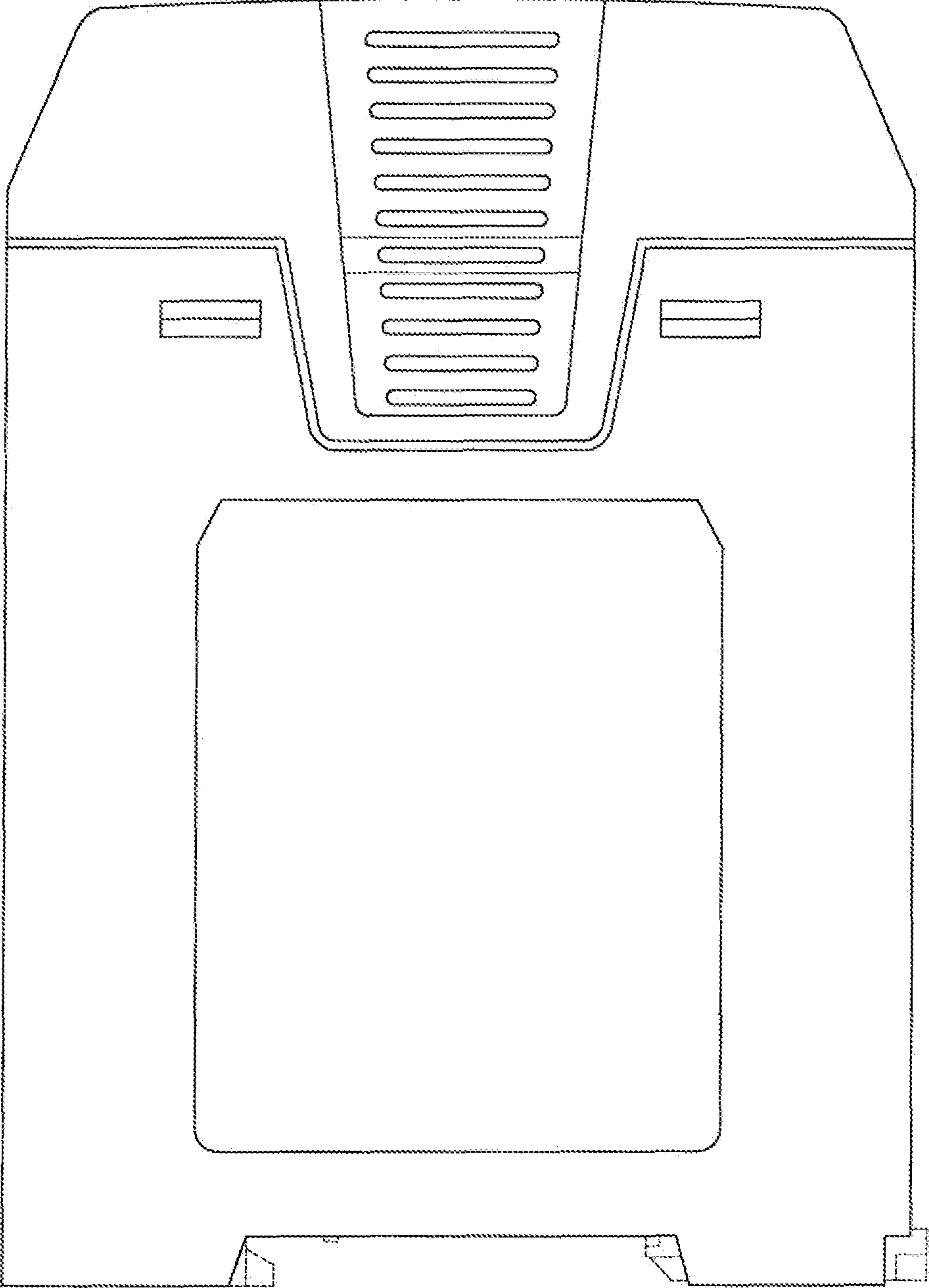


FIG. 16

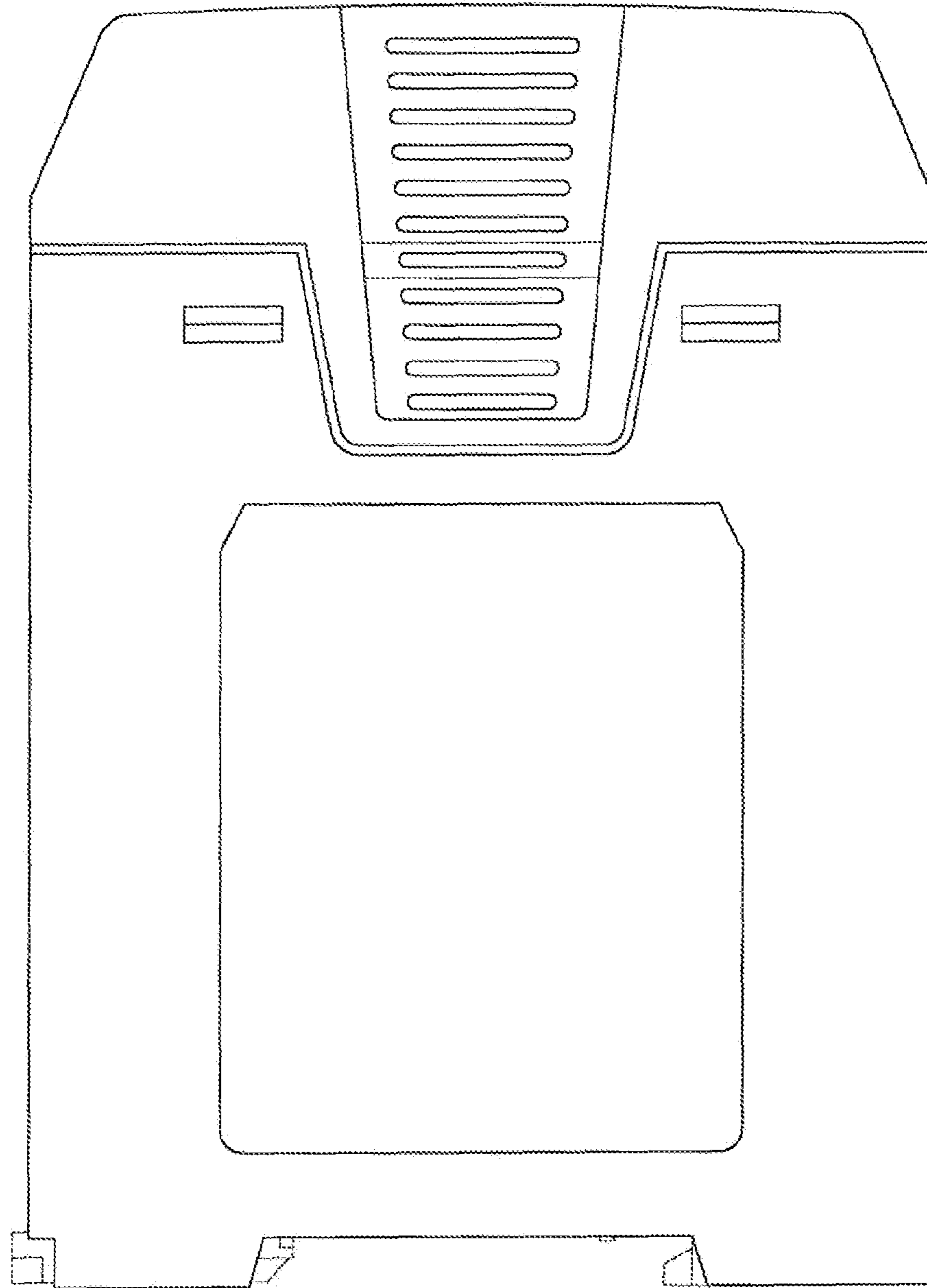


FIG. 17

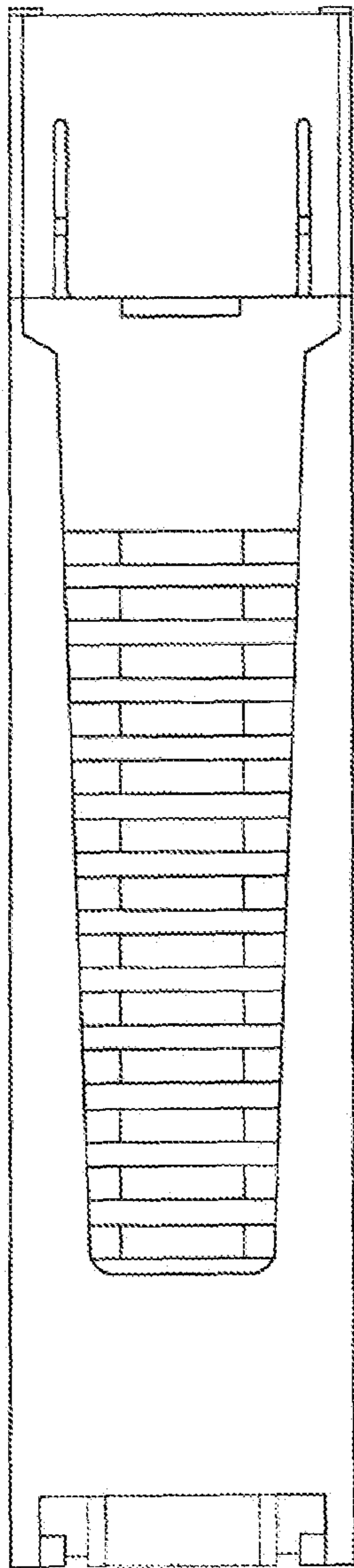


FIG. 18

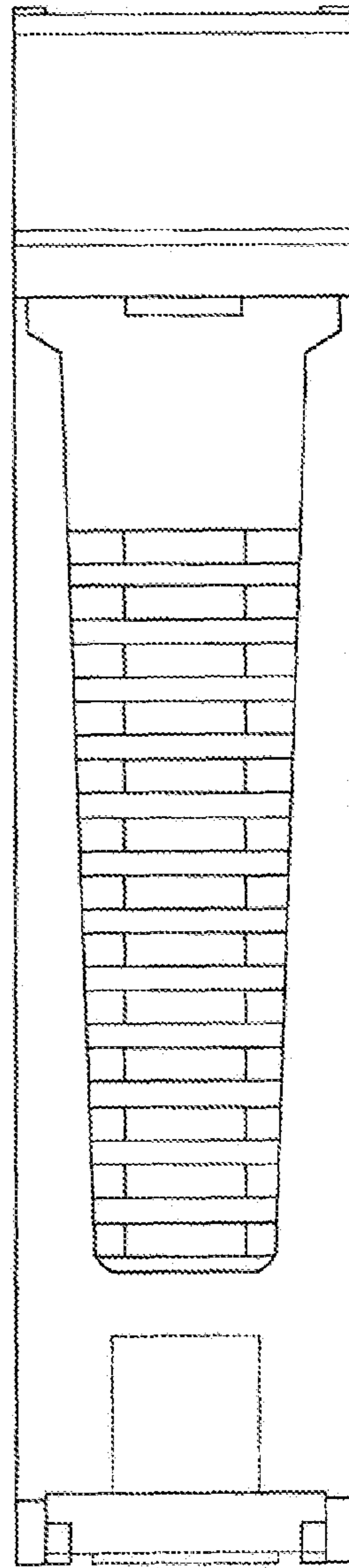


FIG. 19

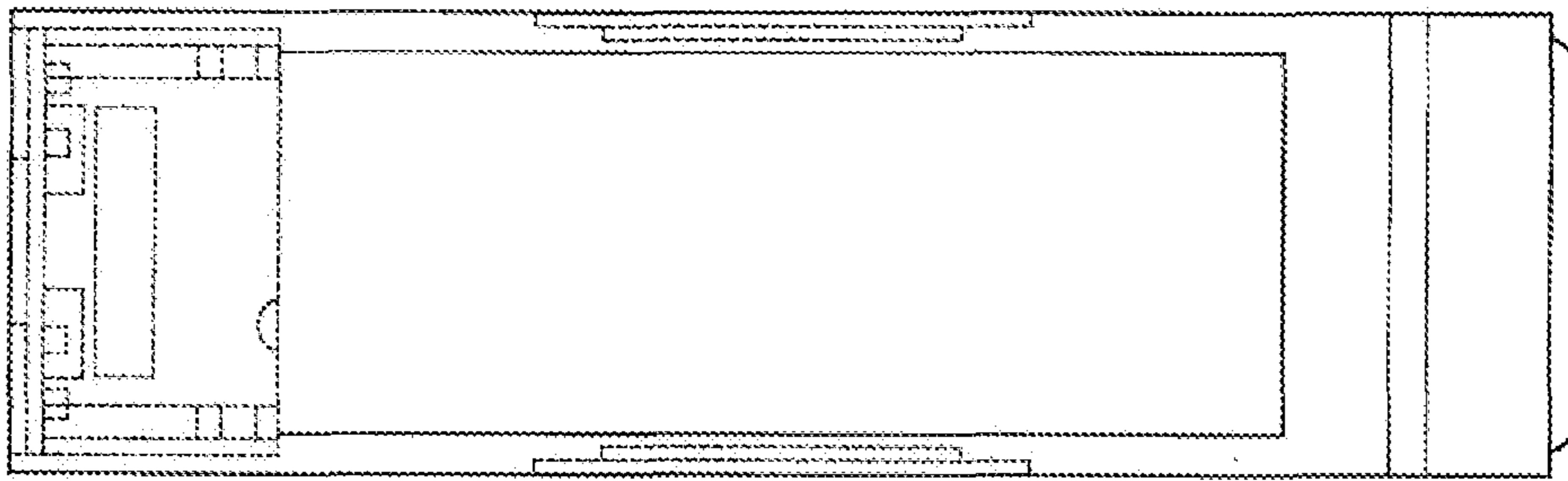


FIG. 20

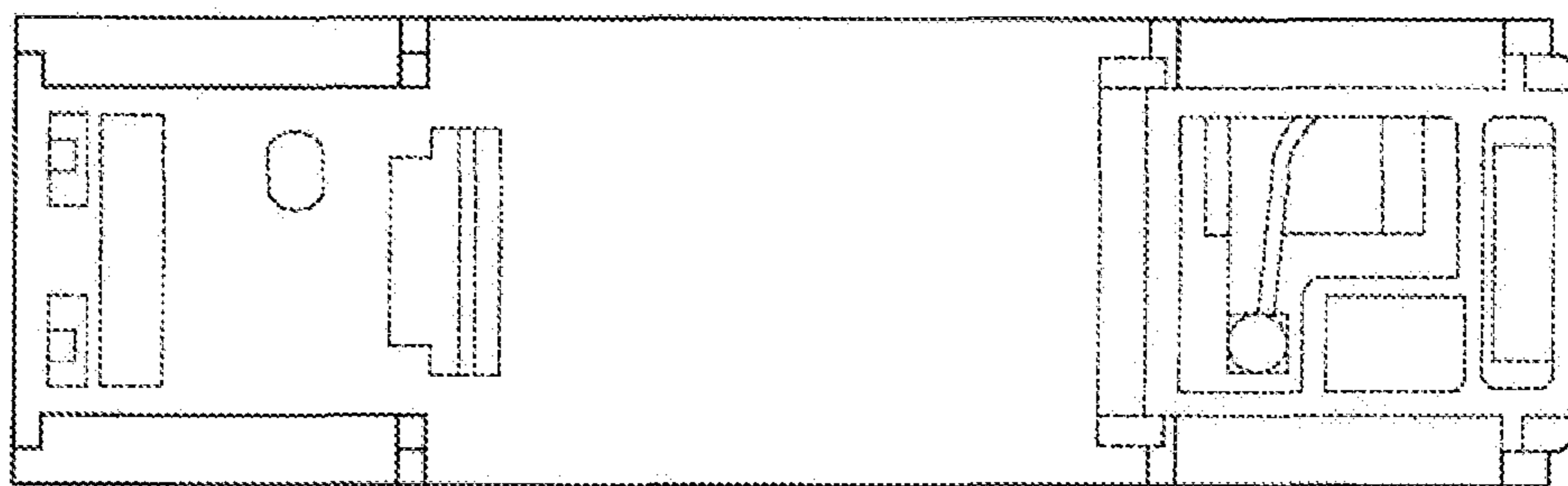


FIG. 21