



US00D693773S

(12) **United States Design Patent**  
**Chen**

(10) **Patent No.:** **US D693,773 S**

(45) **Date of Patent:** **\*\* Nov. 19, 2013**

(54) **CABLE SLEEVE**

(76) Inventor: **Kevin F. Chen**, Anaheim, CA (US)

(\*\*) Term: **14 Years**

(21) Appl. No.: **29/411,235**

(22) Filed: **Jan. 18, 2012**

(51) **LOC (9) Cl.** ..... **13-03**

(52) **U.S. Cl.**  
USPC ..... **D13/155**

(58) **Field of Classification Search**  
USPC ..... D13/146, 147, 149, 153, 154, 155, 156,  
D13/157, 158, 160, 173, 184, 199;  
428/35.7, 36.1; 174/19, 21 R, 21 JS, 24,  
174/34, 60; D8/396  
See application file for complete search history.

(56) **References Cited**

U.S. PATENT DOCUMENTS

445,234	A *	1/1891	Reilly	156/47
2,092,270	A *	9/1937	Anderson	174/136
D376,786	S *	12/1996	Binzel, Jr.	D13/153
5,718,973	A *	2/1998	Lewis et al.	623/1.32
5,952,607	A *	9/1999	Friesen et al.	174/34
6,013,875	A *	1/2000	Fridenberg et al.	174/68.3
6,165,572	A *	12/2000	Kahlbaugh et al.	428/36.1
6,671,372	B1 *	12/2003	Baker et al.	379/399.01
7,862,873	B2 *	1/2011	Yankovitz et al.	428/36.91
2002/0166691	A1 *	11/2002	Yaworski et al.	174/68.3

2009/0181198	A1 *	7/2009	Yamaguchi et al.	428/36.1
2009/0226653	A1 *	9/2009	Harris et al.	428/36.1
2009/0311456	A1 *	12/2009	Harris	428/36.1
2010/0203273	A1 *	8/2010	Holland et al.	428/36.1
2011/0236614	A1 *	9/2011	Ushikai et al.	428/36.1

\* cited by examiner

*Primary Examiner* — Derrick Holland

*Assistant Examiner* — Lauren Calve

(74) *Attorney, Agent, or Firm* — QuickPatents; Kevin Prince

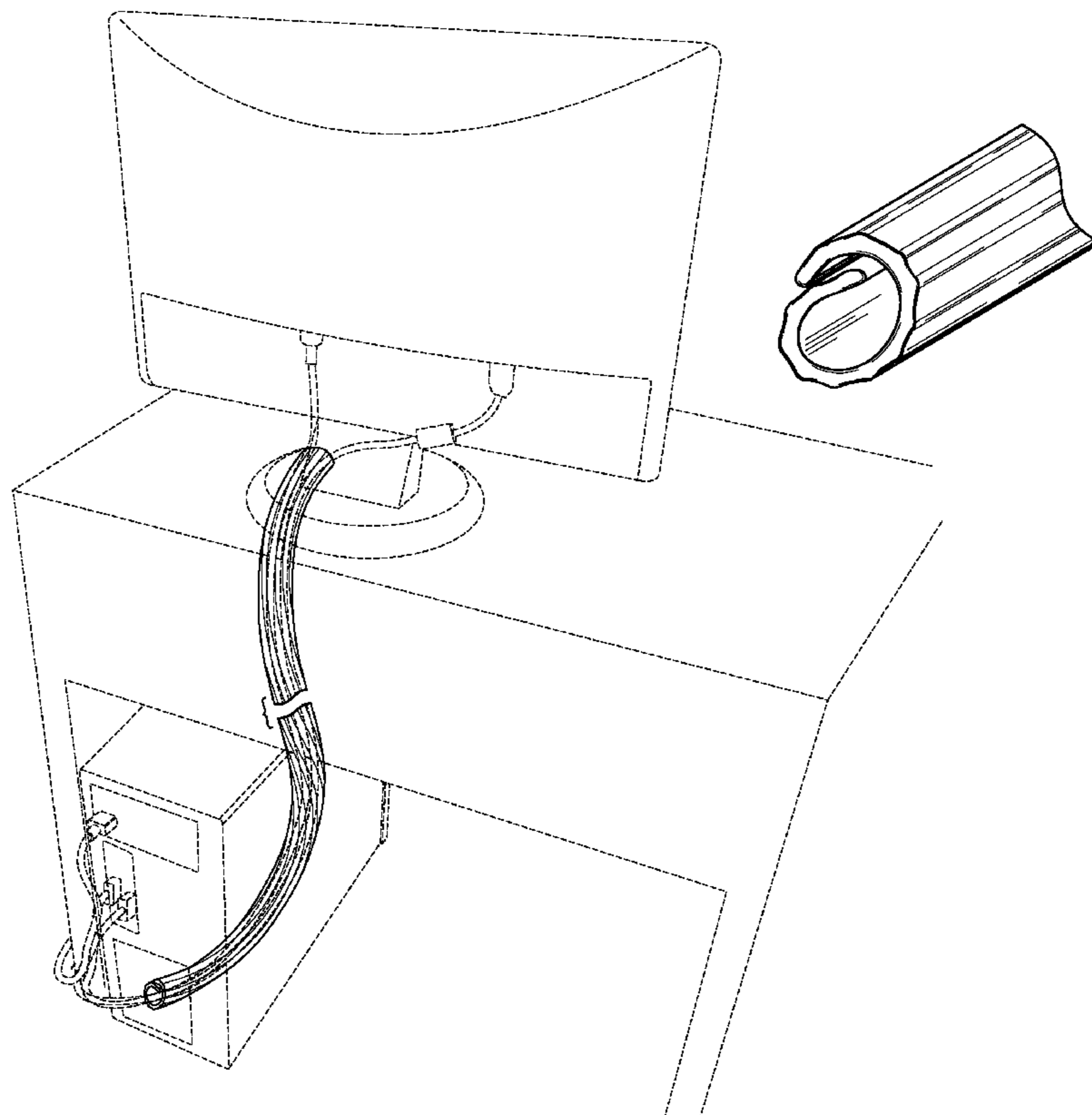
(57) **CLAIM**

I claim the ornamental design for a cable sleeve, as shown and described.

**DESCRIPTION**

FIG. 1 is a perspective view of a cable sleeve, showing my new design;  
 FIG. 2 is a second perspective view thereof;  
 FIG. 3 is a front elevational view thereof, the rear elevational view being a mirror image thereof;  
 FIG. 4 is a right-side elevational view thereof;  
 FIG. 5 is a left-side elevational view thereof;  
 FIG. 6 is a top plan view thereof; and,  
 FIG. 7 is a bottom plan view thereof.  
 The broken line showing in FIG. 1 represents unclaimed subject matter and forms no part of the claimed design.  
 The cable sleeve has been shown broken to indicate indeterminate length.

**1 Claim, 3 Drawing Sheets**



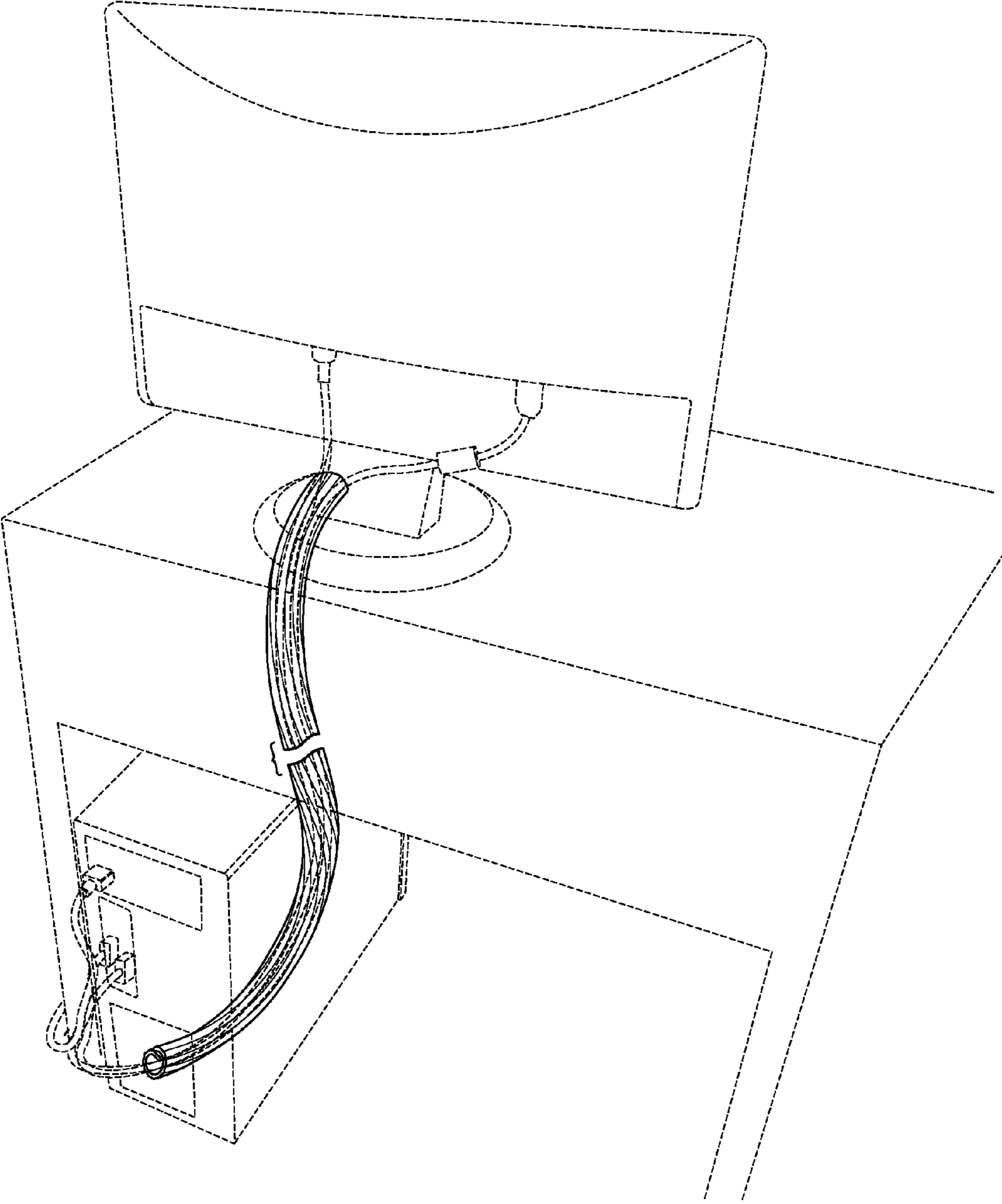


FIG. 1

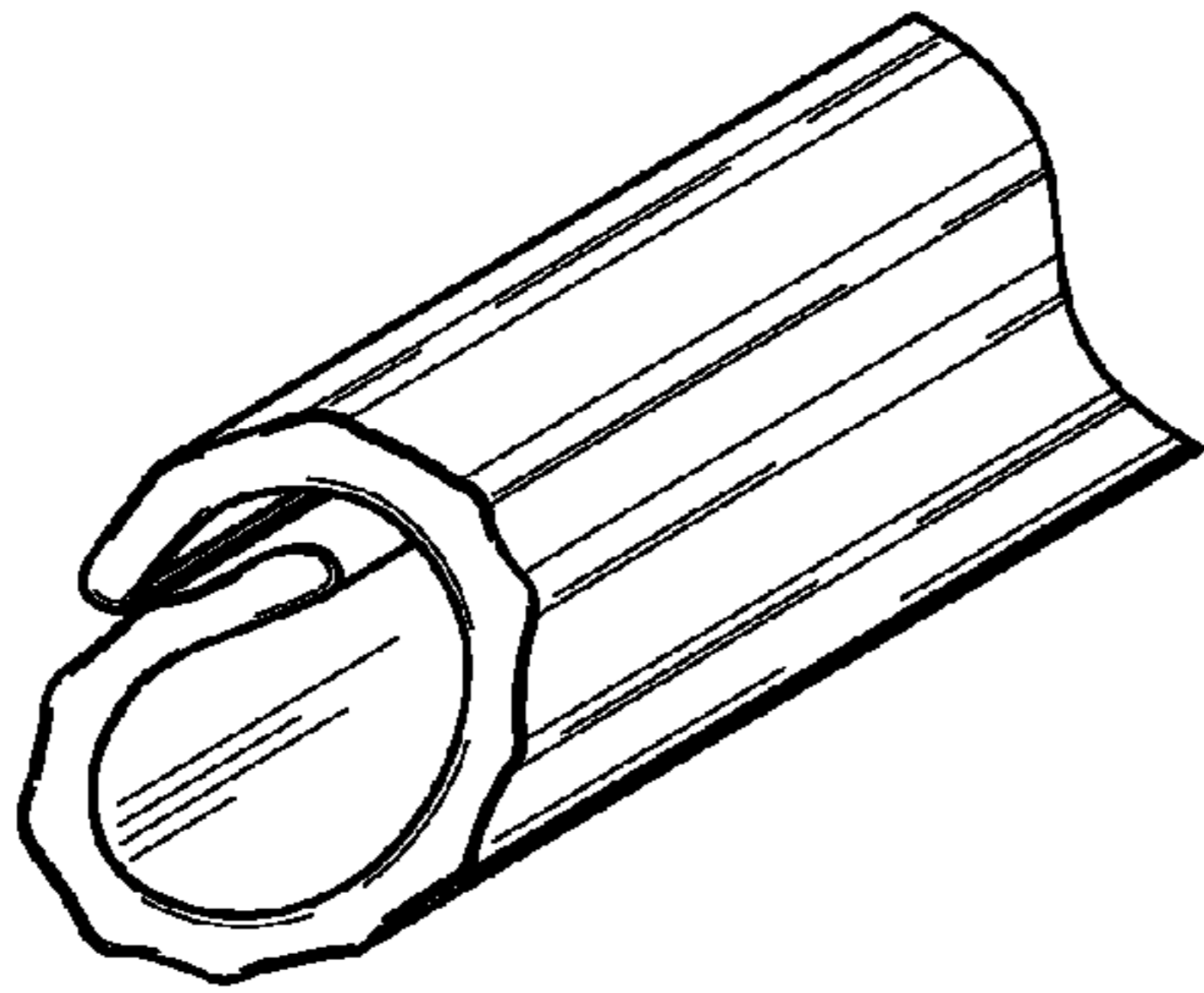


FIG. 2

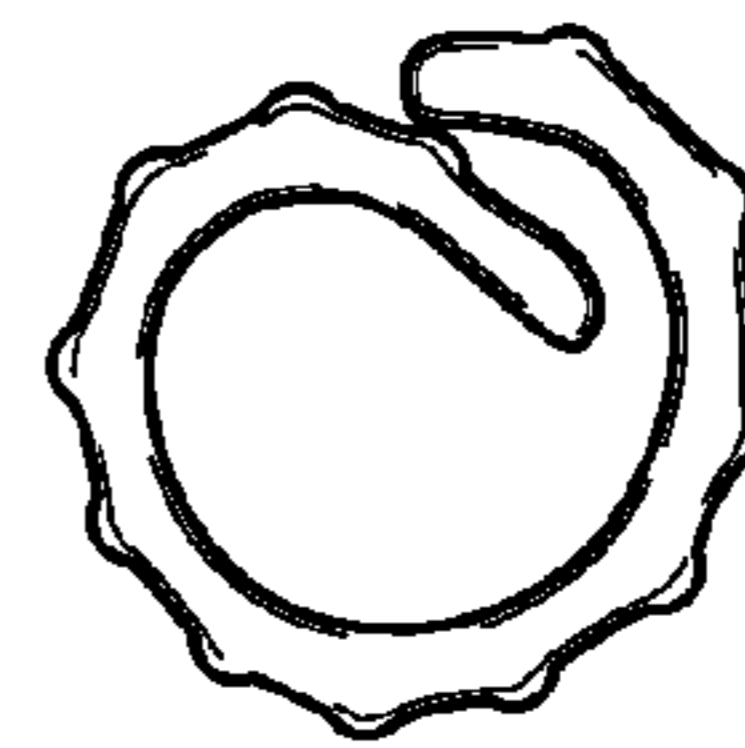


FIG. 3

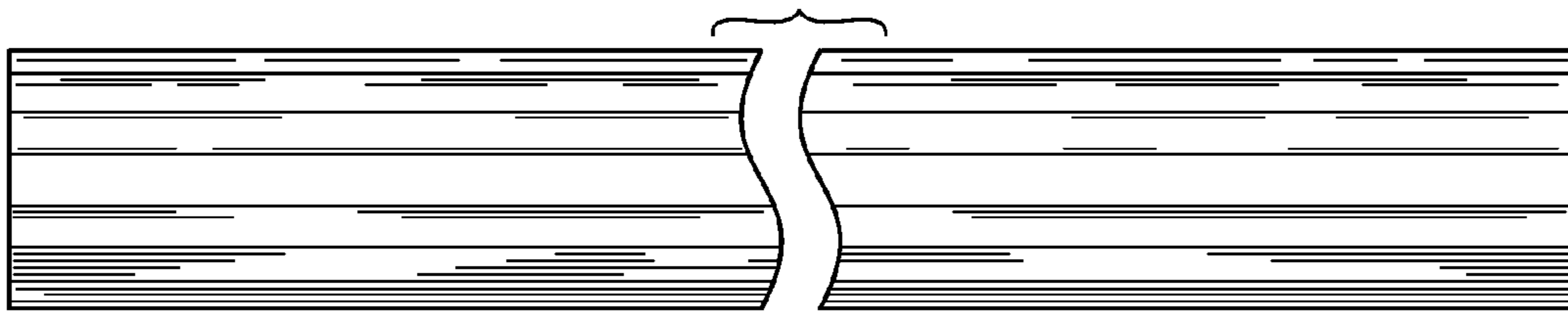


FIG. 4

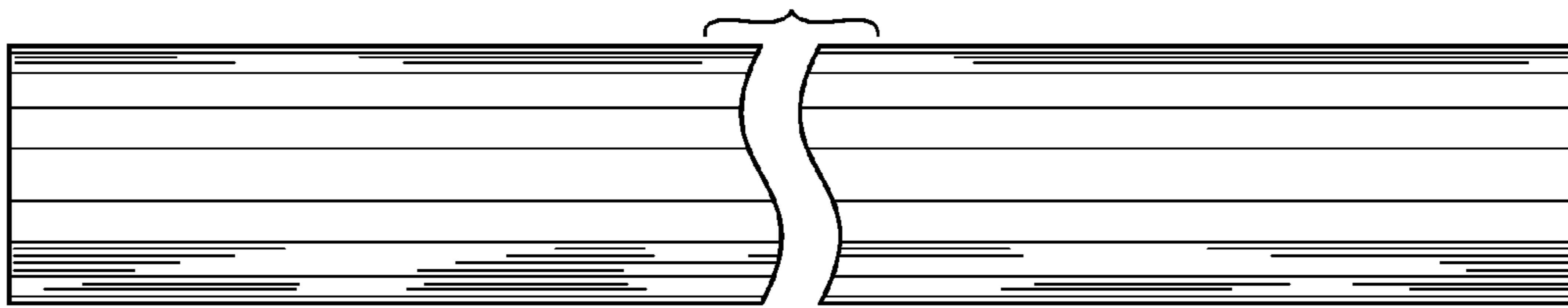


FIG. 5

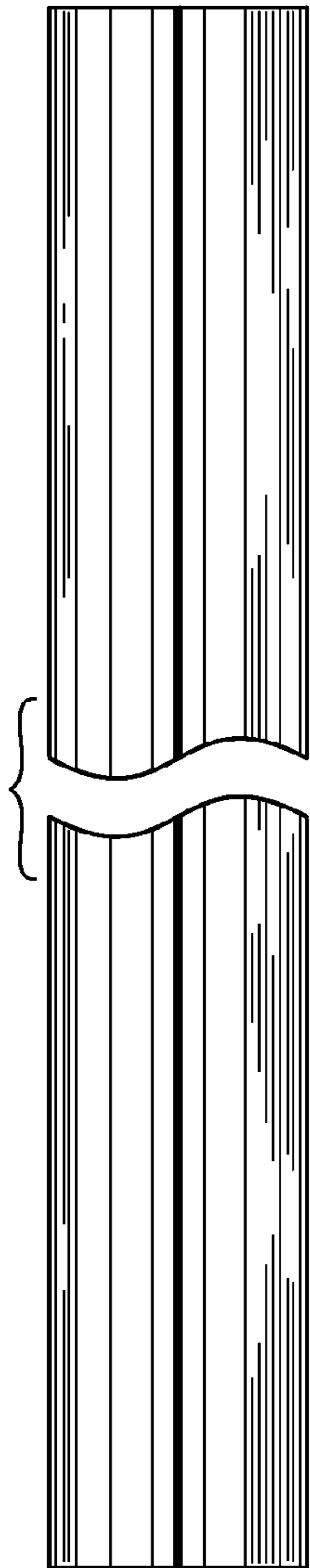


FIG. 6

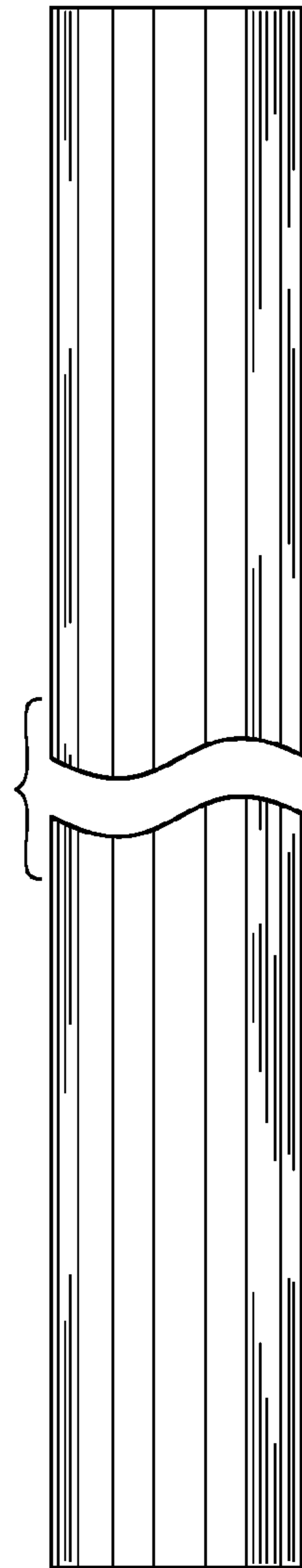


FIG. 7